



# Access Sales & Spares

SALES

SERVICE

PARTS

PH: (03) 9312 3835

FX: (03) 9312 3831



# RAPTOR

---

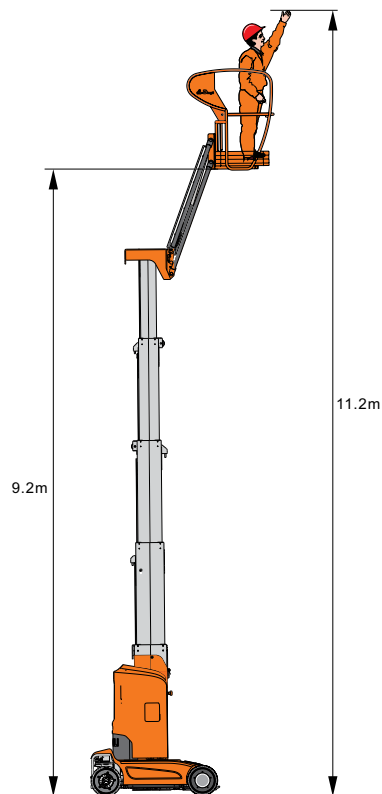
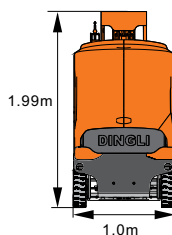
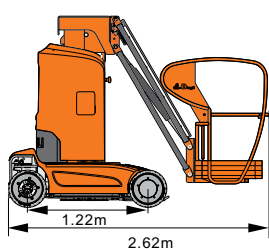
# INVOICES



[accesssalesandspares.com](http://accesssalesandspares.com)

# SELF-PROPELLED MAST LIFT

# RAPTOR MV095J



	<b>S.W.L</b>	200kg/441lb
	<b>Max.occupants</b>	2

	<b>Working height</b>	11.20m/36ft9in
	<b>Platform floor height</b>	9.20m/30ft2in

	<b>Horizontal outreach</b>	3.00m/9ft10in
	<b>Up and over height</b>	7.89m/25ft10in
	<b>Overall length</b>	2.62m/8ft7in
	<b>Overall width</b>	1.00m/1ft3in
	<b>Overall height</b>	1.99m/6ft6in
	<b>Platform size</b>	0.62x0.87m/2ft0.4inx2ft10in
	<b>Ground clearance(Stowed)</b>	0.075m/3in
	<b>Ground clearance(Raised)</b>	1.019m/3ft4in
	<b>Wheelbase</b>	1.22m/4ft
	<b>Turning radius</b>	1.80m/5ft11in

	<b>Turret rotation</b>	345°
	<b>Jib movement</b>	+70°/-60°

	<b>Drive motors</b>	24V/1.5kw
	<b>Lifting motors</b>	24V/3kw

	<b>Travel speed(Stowed)</b>	4.5km/h 2.8miles/h
	<b>Travel speed(Raised)</b>	0.5km/h 0.3miles/h
	<b>Up/Down speed</b>	95/50 sec

	<b>Batteries</b>	24V/240Ah
	<b>Integrated charger</b>	24V/30A

	<b>Gradeability</b>	25%
	<b>Maximum slope</b>	2.5°

	<b>Tyres</b>	φ 381x127mm
--	--------------	-------------

	<b>Weight</b>	2950kg/6503lb
--	---------------	---------------

## Standard Equipment

- Proportional Controls
- Automatic Pothole Protection
- Self Close Gate On Platform
- Drivable At Full Height
- Platform Horizontal Outreach
- Non-marking Tyres
- 2WD
- Automatic Brake System
- Emergency Lowering System
- Emergency Stop Button
- Cylinder Holding Valve
- Onboard Diagnostic System
- Tilt Sensor With Alarm
- All Motion Alarm
- Horn
- Hour Meter
- Charger Protection
- Flashing Beacon
- Swing Out Components Cover
- 345° Turret Rotation
- Overload Sensor With Alarm

## Options

- AC Power To Platform
- Platform Work Lights
- Airline To Platform