



The Slasher is a slashing attachment for skid steer loaders which can be used for the effective cutting and clearing of grass and low ground shrubbery.

Features:

- Available with fixed or side shift frame
- Twin blade dual rotation single cutting bar
- 3 widths available; 1250mm (49"), 1500mm (59"), 1800mm (70")
- Adjustable height 110 -150mm
- Chain curtain for debris suppression - New legislation
- Heavy duty construction - built for Australian conditions
- Optional jockey wheel (for use with skid steer loaders only)
- Also available for mini loaders, tractors, and excavators
- Rounded side skids for smoother manoeuvrability over uneven terrain

Accessories:

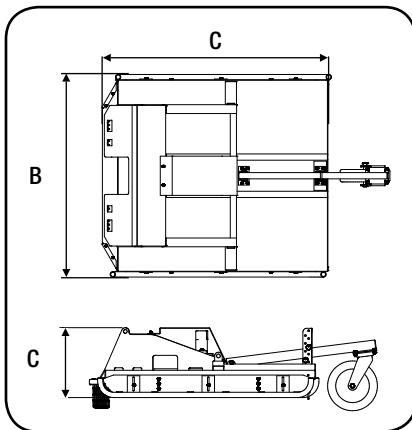
Comes complete with hoses, couplers and fixed mount multifit frame to suit parent machine. Side shift frame optional extra.

Ideal Use:

Landscaping, agriculture, roadway maintenance, general slashing, park maintenance.

Machine Suitability:

Available to suit all standard skid steer loaders.



Specifications	1250mm	1500mm	1800mm
Machine Suitability	Small Skid Steers	Standard Skid Steers	Standard Skid Steers
Weight	295 Kg	370 Kg	470 Kg
Length	1700 mm	1860 mm	2115 mm
Width	1443 mm	1630 mm	1930 mm
Height	600 mm	605 mm	665 mm
Rec. Flow	20 - 40 lpm	35 - 80 lpm	30 - 70 lpm
Max Pressure	240 bar	240 bar	240 bar



Contact your local professional dealer or contact Digga direct

THE BEST DOWNUNDER

DIGGA

PHONE: 1300 2 DIGGA EMAIL: info@digga.com WEB: www.digga.com

QLD, NT
4 Octal Street
Yatala QLD 4207

NSW, ACT
Unit 2, 36 Bluett Drive
Smeaton Grange NSW 2567

VIC, SA, TAS
27 Metcalf Street
Dandenong VIC 3175

WA
6/15 Yampi Way
Willetton WA 6155

