



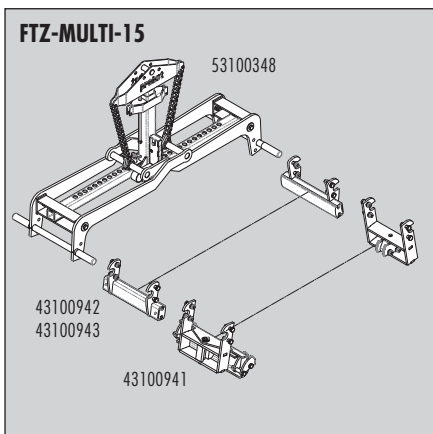
FTZ-UNI-15



FTZ-UNI-50



FTZ-MULTI-15



FTZ-MULTI-15

53100348

43100942
43100943

43100941

Grab for Prefabricated Concrete Products FTZ

FTZ-I: special compact clamp for laying heavy granit kerbs.

FTZ-BB: designed kerb stones with high concave section for bus stops („Kassel Kerb“)

FTZ-UNI: Universal clamp for all kind of pre-cast elements.

Standard equipped:

- ▷ Gripping width adjustment by spring loaded bolt. Bolt can not get lost.
- ▷ Suspension bolt for lifting device.
- ▷ Automatic release for fully automatic switch over from „full“ to „empty“.
- ▷ Exchangeable rubber grippers.
- ▷ With handles to guide the grab.

Type ^①	Gripping Range* W mm (in)	Inside Height E mm (in)	Gripper Length L mm (in)	Working Load Limit WLL kg (lbs)	Dead Weight kg (lbs)	Order-Number
FTZ-I	50 – 520 (2 – 20 1/2")	170 (6 3/4")	420 (16 1/2")	900 (2,000)	55 (120)	5310.0120
FTZ-BB	50 – 480 (2 – 19")	290 (11 3/8")	420 (16 1/2")	900 (2,000)	55 (120)	5310.0202
FTZ-UNI-15	0 – 750 (0 – 29 1/2")	255 (10")	420 (16 1/2")	1.500 (3,300)	85 (185)	5310.0256
FTZ-UNI-25	0 – 750 (0 – 29 1/2")	255 (10")	420 (16 1/2")	2.500 (5,500)	115 (255)	5310.0313
FTZ-MAXI-25	200 – 1.200 (8 – 47")	255 (10")	420 (16 1/2")	2.500 (5,500)	130 (285)	5310.0344
FTZ-UNI-50	0 – 850 (0 – 33 1/2")	200 (8")	720 (28 3/4")	5.000 (11,000)	245 (540)	5310.0362
FTZ-MAXI-50	400 – 1.250 (15 3/4 – 49")	240 (9 1/2")	720 (28 3/4")	5.000 (11,000)	260 (570)	5310.0363

Grab for Prefabricated Concrete Products FTZ-MULTI

Innovative, mechanical grab. Appropriate clamp configurations for versatile applications from a modular construction system.

Same features as per FTZ-I/UNI.

▷ Extraordinary large gripping range, thus suitable for gripping nearly all kind of standard concrete elements and natural stones.

▷ The individual modules are available separately and hence a huge range of applications can be covered at a reasonable price (base body + 3 sets of grippers cover the entire spectrum!)

▷ **FTZ-MULTI-15:** Basic unit without grippers

▷ **WB-G-42:** Large gripping range, short rubber grippers - preferably suitable for handling of single elements.

▷ **WB-G-120:** Large gripping range, large rubber grippers - preferably suitable for handling of full layers, such as one layer of kerb stones etc.

▷ **WB-SQ:** Special interlocking steelfinger grippers allow for safe installation of roughly-cut ashlar rocks.

Components for Optional Clamp Configuration

Type ^①	Gripping Range* W mm (in)	Inside Height E mm (in)	Gripper Length L mm (in)	Working Load Limit WLL kg (lbs)	Dead Weight kg (lbs)	Order-Number
FTZ-MULTI-15				1.500 (3,300)	96 (210)	5310.0348
FTZ-MULTI-15- WB-G-42 (pair)	200 – 1.250 (8 – 49")	255 (10")	420 (16 1/2")		14 (30)	4310.0942
FTZ-MULTI-15- WB-G-120 (pair)	200 – 1.250 (8 – 49")	255 (10")	1.200 (47")		46 (100)	4310.0943
FTZ-MULTI-15- WB-SQ (pair)	200 – 1.200 (8 – 47")	300 (12")			33 (75)	4310.0941

Accessories

Adapter for Kassel Kerb Stone A-FTZ-KB^① for FTZ-UNI-15 to extend gripping depth on one side to 290 mm	4310.0575
Adjustable Height Stop HVA-FTZ/TSZ^① for all versions of FTZ-UNI/MAXI/MULTI and TSZ-UNI Adjustable range approx. 140 - 255 mm. Adjustable range FTZ-UNI/MAXI-15 and FTZ-UNI-25 approx. 120 - 255 mm. FTZ-UNI-40 approx. 55 - 155 mm. FTZ-MAXI-40 approx. 55 - 195 mm.	4310.0867

*Gripping range indicates the minimum and maximum pack measurements of building materials, which can be picked-up with this grab.

① Durable surface protection by galvanizing

011016 Technical data contained in this catalogue can be modified without prior notice in the interest of progress. No liability accepted for any misprints, mistakes and errors.

LAYING OF
LANDSCAPING ELEMENTS