

*We work for maximal*

# FORKFORCE®

## Dirty Jobs Done Dirt Cheap!!

Enforcer Rough Terrain  
Forklift  
1.8 - 5.0 Tonne  
2WD • Compact 4WD • 4WD

### BUILT FOR ROUGH TERRAIN

1300 4A FORK | 1300 42 3675 | FORKFORCE.COM

1300 4A FORK | 1300 42 3675 | FORKFORCE.COM



# FORKFORCE®

## Rough Terrain Forklift Introduction

### 2WD

Strong flexibility  
in rough terrain



### Compact 4WD

Original product  
replenished Rough  
Terrain fields



Patented self-designed axle &  
transmission, compact size meet  
with European standard.

# FORKFORCE®

## Rough Terrain Forklift Introduction

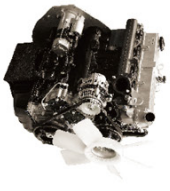
### Engine

World renowned brands engine for superior performance.

#### MTSUBISHI S4S

Rated output 35.3kw/2250rpm

Rated torque 182Nm/1800rpm



#### YANMAR 4TNE98

Rated output 42.1kw/2300rpm

Rated torque 196.3Nm/1700rpm



#### PERKINS 1104C-417A

Rated output 74.5kw/2300rpm

Rated torque 415Nm/1350rpm



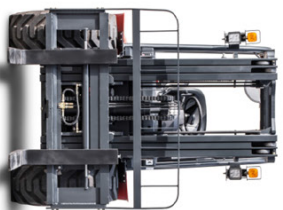
### Floating System

A superior full floating overhead guard is installed with rubber dampening instead of the traditional rigid design. This greatly reduces machine vibration and offers a smoother ride over rough terrain and reduces operator fatigue.



### Wide-view Mast

Wide-view mast provides excellent through-the-mast visibility improving the work efficiency and allowing safe operation of the forklift.



### High Quality Tyres

Industrial tyres with a wide footprint giving it greater stability and lift capacity in rough work environments.



### High Ground Clearance

Offer greater maneuverability and keep the machine moving in the roughest of applications.



### Upward Steering

#### Cylinder (Compact 4WD)

Lay the steering cylinder upward to make the turning radius smaller and rear wheel steering angle bigger.



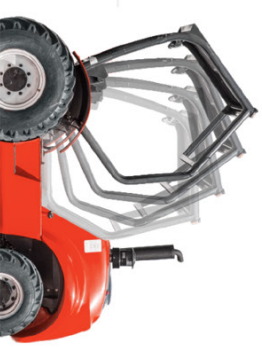
### 100% Differential Lock (2WD)

Power shift transmission with jaw type 100% differential lock provides ultimate traction during inclement weather conditions and rough operating surfaces.



### Tilting Overhead Guard (4WD)

Equipped as standard with a tilting overhead guard, to ensure easy access to major components for inspection and service.







## Our Solution, Your Decision

	2WD					Compact 4WD		
YES ● / NO ●	1.8T	2.5T	3.5T	4T	5T	1.8T	2.5T	3.5T
Floated Overhead Guard			●				●	
4WD-2WD Rocker Switch			—				●	
Industrial Tyres (F/R)	● / ●	● / ●	● / ●	● / ●	● / ●	● / ●	● / ●	● / ●
Suspension Pedal			●				●	
Truck Width (mm)	1450	1557.5	1600	2067	2067	1450	1450	1600
Loaded into 20GP Container	●	●	●	(Define the tyres)	●	●	●	●
External Type Steering Cylinder			●				●	
With Prefilter			●				●	
LED Lights			Standard				Standard	
Safety Start System*			Standard				Standard	
Suspension Seat			Option				Option	
OPS system			Option				Option	
Engine	YANMAR 4TNE98	YANMAR 4TNE98	YANMAR 4TNE98	Perkins 1104C-44TA/1104D-44TA	YANMAR 4TNE98/	YANMAR 4TNE98/	MTSUBISHI S4S	YANMAR 4TNE98
Gradeability	20%	20%	16%	30%	30%	80%/60%	50%	45%
Gradient	11.3°	11.3°	9°	16.7°	16.7°	38.6°/31°	26.5°	24.2°
Min. Turning Radius(mm)	2840	2870	2870	3550	3550	3120	3120	3120
Transmission Model			Hydraulic				Hydraulic	
Differential Lock Type			Jaw Type Differential Lock				Limited Slip Differential Lock	
Differential Ratio			100%				45%	

Safety Start System\* The truck can't start if any below: 1-operator leaves the seat, 2-seatbelt unfastened, 3-hand brake released, 4-not in N position.



# Forklift Specification

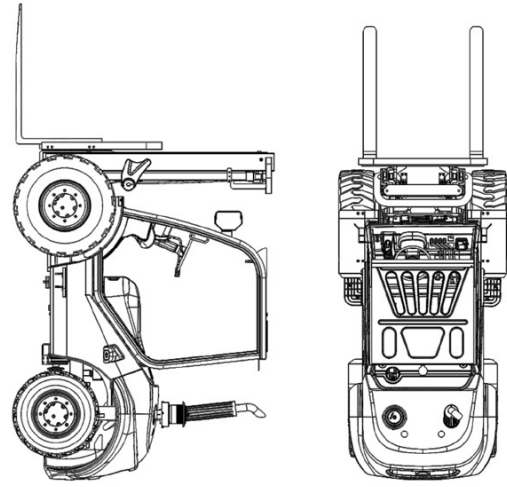
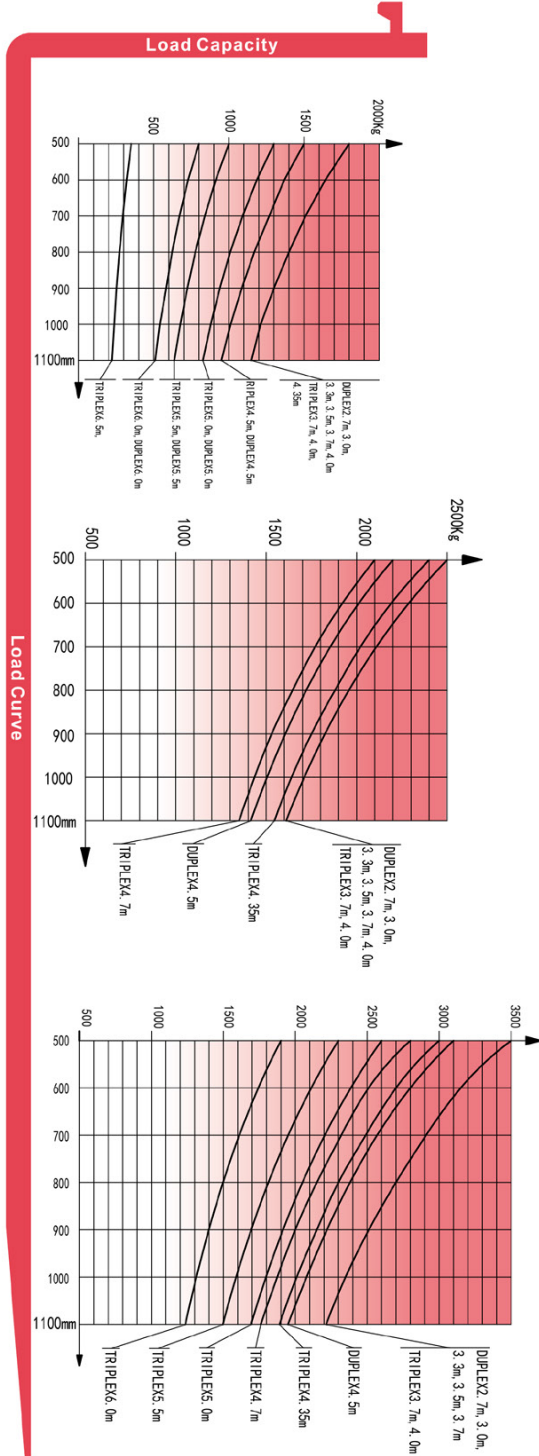


2WD 1.8T/2.5T/3.5T									
General		Model		2WD	2WD	2WD			
1	Power Type	FD18T-AT	FD25T-AT	FD35T-AT					
2	Rated capacity	1800	2500	3500					
3	Load centre	500	500	500					
4	Lifting height	3000	3000	3000					
5	Fork lift	105	160	165					
6	Fork size	L-W×T	1070×100×35	1070×122×40	1220×122×45				
7	Fork regulating range	Min./Max.	200-1000	250-1160	250-1160				
8	Meat tilt angle	F/R	10/12						
9	Front overhang	mm	509	586	601				
10	Rear overhang	mm	520	520	520				
11	Min.ground clearance (drive steer axle)	mm	255	270	270				
12	Min.ground clearance (rear)	(Unladen/Laden)	2990	2946	2956				
13	Ground clearance (drawbar pin)	mm	1450	1557.5	1600.5				
14	Height from seat surface to overhead guard inner side	mm	2148	2265	2330				
15	Height from seat surface to overhead guard outer side	mm	4170	4175	4305				
16	Length to face of fork (without fork)	mm	2286	2286.5	2276				
17	Overall width	mm	2840	2870	2870				
18	Mast lowered height (with backrest)	mm	4760	4860	4870				
19	Mast extended height	mm	4360	4460	4470				
20	Turning radius	mm	27×10-12-12PR	27×10-12-12PR	27×10-12-12PR				
21	Min. right angle stacking aisle width	mm	610	600	450				
22	Speed	mm	450	445	500				
23	Max. Drawbar pull (Laden)	KN	13	17	17				
24	Max. Gradeability (Laden)	%	20	20	16				
25	Braking distance	m	5.8	5.8	5.8				
26	Tyre	Front	12-16.5-12PR	12-16.5-12PR	14-17.5-14PR				
27	Tyre	Rear	27×10-12-12PR	27×10-12-12PR	27×10-12-12PR				
28	Tyre pressure (Front/Rear)	Mpa	0.82/0.55	0.82/0.55	0.50/0.55				
29	Tread	Front	1123	1123	1250				
30	Tread	Rear	1190	1190	1190				
31	Ground clearance (Front/Tyre centre) (Unladen/Laden)	mm	405.5/385	405.5/385	450.5/425				
32	Ground clearance (Rear/Tyre centre) (Unladen/Laden)	mm	370/350	370/350	370/350				
33	Wheelbase	mm	1880	1880	1880				
34	Self weight	kg	4255	4380	4350				
35	Laden	kg	4602	6597	6597				
36	Rear axle	kg	1453	733	1453				
37	Front axle	kg	1702	2173	2173				
38	Rear axle	kg	2553	2657	2553				
39	Voltage/Capacity	V/Ah	41TNE98-BDF1C						
40	Model	41TNE98-BDF1C							
41	Manufacturer	YANMAR							
42	Rated output/p.r.m.	Kw	42.1/2300						
43	Rated torque/p.r.m.	N.m	196.3/1700						
44	No. of cylinder	4							
45	Bore/Stroke	mm	98×110						
46	Displacement	L	3.318						
47	Fuel tank capacity	L	55						
48	Manufacture	China							
49	Type	F/R							
50	Powershift	1/1							
51	Operating pressure	Mpa	16.5						

Compact 4WD 1.8T/2.5T/3.5T									
General		Model		FD18T-4WD	FD25T-4WD	FD18T-4WD	FD25T-4WD	FD35T-4WD	FD35T-4WD
1	Power Type	FD18T-4WD	FD25T-4WD	FD18T-4WD	FD25T-4WD	FD35T-4WD	FD35T-4WD	FD35T-4WD	FD35T-4WD
2	Rated capacity	1800	2500	1800	2500	2500	3500	3500	3500
3	Load centre	500	500	500	500	500	500	500	500
4	Lifting height	3000	3000	3000	3000	3000	3000	3000	3000
5	Fork lift	105	160	105	160	160	165	165	165
6	Fork size	L-W×T	1070×100×35	1070×122×40	1070×122×40	1220×122×45	1220×122×45	1220×122×45	1220×122×45
7	Fork regulating range	Min./Max.	200-1315	250-1310	200-1310	250-1310	250-1500	250-1500	250-1500
8	Meat tilt angle	F/R	10/12	10/12	10/12	10/12	10/12	10/12	10/12
9	Front overhang	mm	520	588	520	588	601	601	601
10	Rear overhang	mm	520	520	520	520	520	520	520
11	Min.ground clearance (drive steering axle)	mm	219	219	219	219	219	219	219
12	Min.ground clearance (chassis)	(Unladen/Laden)	230/215	230/215	230/215	230/215	230/215	230/215	230/215
13	Min.ground clearance (rear)	(Unladen/Laden)	275/250	270/255	275/250	270/255	270/255	270/255	270/255
14	Ground clearance (drawbar pin)	mm	354.5	354.5	354.5	354.5	354.5	354.5	354.5
15	Height from seat surface to overhead guard inner side	mm	990	990	990	990	990	1043	1043
16	Height from seat surface to overhead guard outer side	mm	3000	3066	3000	3066	3066	3081	3081
17	Overall width	mm	1450	1450	1450	1450	1600	1600	1600
18	Mast lowered height (with backrest)	mm	2145	2235	2145	2235	2330	2330	2330
19	Mast extended height	mm	4140	4175	4140	4175	4305	4305	4305
20	Turning radius	mm	2256	2256	2256	2256	2276	2276	2276
21	Min. right angle stacking aisle width (gallet size a=1200 b=1200)	mm	3120	3120	3120	3120	3120	3120	3120
22	Speed	mm	4629	4706	4629	4706	4706	4921	4921
23	Max. Drawbar pull	KN	4829	4906	4829	4906	4871	4871	4871
24	Max. Gradeability	%	31	31	31	31	38	38	38
25	Braking distance	m	60	60	60	60	50	50	45
26	Tyre	Front	12-16.5-12PR	12-16.5-12PR	12-16.5-12PR	14-17.5-14PR	14-17.5-14PR	14-17.5-14PR	14-17.5-14PR
27	Tyre	Rear	10.075-15.3	10.075-15.3	10.075-15.3	10.075-15.3	10.075-15.3	10.075-15.3	10.075-15.3
28	Tyre pressure (Front/Rear)	Mpa	0.82/0.55	0.82/0.55	0.82/0.55	0.50/0.55	0.50/0.55	0.50/0.55	0.50/0.55
29	Tread	Front	1123	1123	1123	1250	1250	1250	1250
30	Tread	Rear	1190	1190	1190	1190	1190	1190	1190
31	Ground clearance (Front/Tyre centre) (Unladen/Laden)	mm	405.5/385	405.5/385	405.5/385	450.5/425	450.5/425	450.5/425	450.5/425
32	Ground clearance (Rear/Tyre centre) (Unladen/Laden)	mm	370/350	370/350	370/350	370/350	370/350	370/350	370/350
33	Wheelbase	mm	1880	1880	1880	1880	1880	1880	1880
34	Self weight	kg	4255	4380	4255	4350	5545	5545	5545
35	Laden	kg	4602	6597	4602	6597	7872	7872	7872
36	Rear axle	kg	1453	733	1453	733	1073	1073	1073
37	Front axle	kg	1702	2173	1702	2173	2345	2345	2345
38	Rear axle	kg	2553	2657	2553	2657	3100	3100	3100
39	Voltage/Capacity	V/Ah	12/90						
40	Model	41TNE98-BDF1C							
41	Manufacturer	YANMAR							
42	Rated output/p.r.m.	Kw	42.1/2300						
43	Rated torque/p.r.m.	N.m	196.3/1700						
44	No. of cylinder	4							
45	Bore/Stroke	mm	94×120						
46	Displacement	L	3.318						
47	Fuel tank capacity	L	55						
48	Manufacture	China							
49	Type	F/R							
50	Powershift	2/1							
51	Operating pressure	Mpa	16.5						

# Mast Specification

Type	Model	Mx. fork height	Overall height															Free lift						Front Overhang						Tilt range				Capacity at max. height										
			Lowered					With backrest					Without backrest					Front Overhang			Without backrest			FWD	BWD	Without side shift carriage					With side shift carriage													
			1.8T	2.5T	3.5T	1.8T	2.5T	3.5T	1.8T	2.5T	3.5T	1.8T	2.5T	3.5T	mm	mm	mm	mm	mm	mm	mm	mm	mm			mm	mm	mm	mm	mm	mm	mm	mm	mm	mm									
			mm	mm	mm	mm	mm	mm	mm	mm	mm	mm	mm	mm	mm	mm	mm	mm	mm	mm	mm	mm	mm	mm	mm	mm	mm	mm	mm	mm	mm	mm	mm	mm	mm									
wide view 2-stage mast	M270	2700	1998	2086	2180	105	160	165	105	160	165	105	160	165	509	585	600	600	600	600	600	600	600	10°	12°	12°	1800	2500	3500	1800	1800	2500	3200	3200	3200	3200	3200							
	M300	3000	2148	2235	2330	105	160	165	105	160	165	105	160	165	509	585	600	600	600	600	600	600	10°	12°	12°	1800	2500	3500	1800	1800	2500	3200	3200	3200	3200	3200								
	M330	3300	2298	2385	2480	105	160	165	105	160	165	105	160	165	509	585	600	600	600	600	600	600	10°	12°	12°	1800	2500	3500	1800	1800	2500	3200	3200	3200	3200	3200	3200							
	M350	3500	2498	2585	2680	105	160	165	105	160	165	105	160	165	509	585	600	600	600	600	600	600	10°	12°	12°	1800	2500	3500	1800	1800	2500	3200	3200	3200	3200	3200	3200	3200	3200					
	M370	3700	2898	2985	3080	105	160	165	105	160	165	105	160	165	509	585	600	600	600	600	600	600	10°	12°	12°	1800	2500	3500	1800	1800	2500	3200	3200	3200	3200	3200	3200	3200	3200	3200				
	M400	4000	2898	2985	3080	105	160	165	105	160	165	105	160	165	509	585	600	600	600	600	600	600	10°	12°	12°	1800	2500	3500	1800	1800	2500	3200	3200	3200	3200	3200	3200	3200	3200	3200	3200	3200		
	M450	4500	2948	3035	3130	105	160	165	105	160	165	105	160	165	509	585	600	600	600	600	600	600	10°	12°	12°	1500	2200	3100	1400	1400	2100	2500	2500	2500	2500	2500	2500	2500	2500	2500	2500			
	M500	5000	3198	---	---	105	---	---	105	---	---	105	---	---	509	---	---	---	---	---	---	---	---	6°	6°	6°	1300	---	---	---	---	---	---	---	---	---	---	---	---	---	---			
	M550	5500	3498	---	---	105	---	---	105	---	---	105	---	---	509	---	---	---	---	---	---	---	---	6°	6°	6°	1000	---	---	---	---	---	---	---	---	---	---	---	---	---	---	---	---	
	M600	6000	3748	---	---	105	---	---	105	---	---	105	---	---	509	---	---	---	---	---	---	---	---	6°	6°	6°	800	---	---	---	---	---	---	---	---	---	---	---	---	---	---	---	---	---
Full free 3-stage mast	TFM360	3600	1908	---	---	725	---	---	105	---	---	105	---	---	509	---	---	---	---	---	---	---	10°	12°	12°	1800	---	---	---	---	---	---	---	---	---	---	---	---	---	---	---	---		
	TFM370	3700	1990	---	---	798	---	---	105	---	---	105	---	---	509	---	---	---	---	---	---	---	10°	12°	12°	1800	2500	---	---	---	---	---	---	---	---	---	---	---	---	---	---	---		
	TFM400	4000	2033	2080	2205	850	888	890	1013	1015	1390	1230	1333	1336	509	580	580	620	620	620	620	620	10°	10°	12°	1800	2500	3400	1800	1800	2400	3000	1800	1800	2200	2900	2900	2900	2900	2900	2900	2900		
	TFM435	4350	2158	2205	2330	980	---	---	1030	---	---	---	---	---	509	---	---	---	---	---	---	---	10°	12°	12°	1800	---	---	---	---	---	---	---	---	---	---	---	---	---	---	---	---	---	---
	TFM450	4500	2208	---	---	1030	---	---	1128	---	---	---	---	---	509	---	---	---	---	---	---	---	10°	12°	12°	1500	---	---	---	---	---	---	---	---	---	---	---	---	---	---	---	---	---	---
	TFM470	4700	2320	---	---	1128	---	---	1130	---	---	---	---	---	580	---	---	---	---	---	---	---	10°	12°	12°	2100	---	---	---	---	---	---	---	---	---	---	---	---	---	---	---	---	---	---
	TFM480	4800	2308	---	---	1130	---	---	1510	---	---	---	---	---	509	---	---	---	---	---	---	---	10°	12°	12°	1400	---	---	---	---	---	---	---	---	---	---	---	---	---	---	---	---	---	---
	TFM500	5000	2408	2455	2580	1230	1233	1265	1610	1708	---	---	---	---	509	580	580	620	620	620	620	620	10°	6°	6°	1300	1900	2600	1200	1200	1600	1600	2300	2300	2300	2300	2300	2300	2300	2300	2300	2300	2300	
	TFM550	5500	2573	2620	2745	1390	1428	1430	1770	1873	---	---	---	---	509	580	580	620	620	620	620	620	10°	6°	6°	1000	1500	2300	900	900	1200	1200	1600	1600	1600	1600	1600	1600	1600	1600	1600	1600	1600	1600
	TFM600	6000	2758	2805	2930	1580	1613	1615	1860	2058	---	---	---	---	509	580	580	620	620	620	620	620	10°	6°	6°	800	1200	1900	400	400	800	800	800	800	800	800	800	800	800	800	800	800	800	800
TFM650	6500	2973	3020	3145	1790	1828	1830	2180	2273	---	---	---	---	509	580	580	620	620	620	620	620	10°	6°	6°	350	700	1300	200	200	400	400	400	400	400	400	400	400	400	400	400	400	400	400	400





# Forklift Specification

# Mast Specification

ZWD 4T/5T		FD40T-AT		FD50T-AT	
1	Model	FD40T-AT		FD50T-AT	
2	Power type	Diesel		Diesel	
3	Rated capacity	4000		5000	
4	Load centre	600		600	
5	Lifting height	3000		3000	
6	Free lift height	145		145	
7	Fork size	LxWxT	1220*150*90	1220*150*95	
8	Fork regulating range	Min./Max.	300/1954	300/1954	
9	Mast tilt angle	F/R	15°/15°	15°/15°	
10	Front overhang		732	732	
11	Rear overhang		784	784	
12	Ground clearance	Middle of frame(Unladen/Laden)	374/354	374/354	
13	Bottom of mast(Unladen/Laden)		320/320	320/320	
14	Length to face of fork(without fork)		3822	3622	
15	Overall length(with fork)		4837	4837	
16	Wheel width		2055	2055	
17	Frame width		2067	2067	
18	Mast lowered height		2565	2565	
19	Mast extended height(with backrest)		4170	4170	
20	Overhead guard height		2545	2545	
21	Min. turning radius		3550	3550	
22	Speed	Travel(Unladen/Laden)	22/21	22/21	
23		Lifting(Unladen/Laden)	570/500	570/500	
24		Laden lifting(normal/max)	15.6/19	15.6/19	
25	Pressure	Unladen lifting(normal/max)	2.6/19	2.6/19	
26		Laden tilting(normal/max)	front 1°rear 12°front 19° rear 19°	50	
27		Max. Drawbar pull(Laden/unladen)	KN	30	
28		Max. Gradeability(Laden/unladen)	%	30	
29	Tyre	Front	445-65-22.5PR/1175	445-65-22.5PR/1175	
30		Rear	12.5/80-18/958	12.5/80-18/958	
31	Tread	Front	1620	1620	
32		Rear	1720	1720	
33	Wheelbase		2125	2125	
34	Self weight		7960	8450	
35	Braking distance		56	56	
36	Model	1104C-44T		1104C-44T	
37	Manufacturer	PERKINS		PERKINS	
38	Rated output/ P.m	74.5/2300		74.5/2300	
39	Rated torque/ P.m	415/1350		415/1350	
40	No. of cylinder	4		4	
41	Bore x Stroke	105 x 127		105 x 127	
42	Displacement	4.4		4.4	
43	Manufacturer	China		China	
	Type	Powershift		Powershift	
	Stage	FR		FR	

Type	Model	Max. fork height	Overall height	Free lift		Front Overhang		Tilt range		Capacity at max. height				
				With backrest	Without backrest	4.0T	5.0T	FWD	BWD	4.0T	5.0T	4.0T	5.0T	5.0T
Full free 3-stage mast	M300	3000	2565	145	145	727	732	15	15	4000	5000	3600	4700	4700
	M330	3300	2715	145	145	727	732	15	15	4000	5000	3600	4700	4700
	M350	3500	2815	145	145	727	732	15	15	4000	5000	3600	4700	4700
	M400	4000	3115	145	145	727	732	15	15	4000	5000	3600	4700	4700
	M450	4500	3365	145	145	727	732	15	15	3600	4500	3240	4050	4050
	M500	5000	3615	145	145	727	732	15	15	3200	4000	2800	3600	3600
wide view 2-stage mast	M400	4000	3115	145	145	727	732	15	15	4000	5000	3600	4700	4700
	M450	4500	3365	145	145	727	732	15	15	3600	4500	3240	4050	4050
	M500	5000	3615	145	145	727	732	15	15	3200	4000	2800	3600	3600
	TFM435	4350	2885	1125	1475	760	785	15	15	3600	4500	3240	4050	4050
	TFM450	4500	2736	1175	1525	760	785	15	15	3200	4000	2880	3600	3600
	TFM470	4700	2802	1242	1592	760	785	15	15	2950	3700	2680	3350	3350
TFM500	TFM500	5000	2935	1375	1725	760	785	10	15	2640	3300	2380	2950	2950
	TFM540	5400	3060	1500	1830	760	785	10	15	1920	2400	1720	2150	2150
	TFM600	6000	3300	1740	2090	760	785	10	15	1600	2000	1400	1800	1800

