



ES14-30WA ES18-40WA Electric Stacker 1.4/1.8t

Straddle Design Improves the Stability of Stacking;
Suitable for Handling and Stacking of Various Non-standardized Pallets.

EP EQUIPMENT CO.,LTD
www.ep-ep.com

FEATURE



Performance

- The innovative AC system offers strong power, accurate control, excellent performance.
- High strength vertical gearbox, longer working life.
- Low-noise but durable hydraulic unit, good quality cylinder as well as hose ensure the high reliability of hydraulic system.
- AMP connector and durable electric wires greatly reduce malfunctions of components.
- H shape channel mast improves the strength of the whole truck.
- Staddle design ensures the stability of high lifting.



Safety

- Safe hydraulic system design prevents mast from falling down abruptly when hydraulic pipeline cuts off.
- Emergency reverse belly button protects the operator from getting hurt.
- Emergency disconnecter will cut off power source to avoid accident when truck goes out of control.
- Multiple lifting limit protection ensures safety.
- Automatic switch to lower speed when the fork reaches its setting height.
- Anti-rolling back brake keeps the truck from skidding down when truck is out of control or travelling on ramp.
- Long operational tiller ensures safety distance for operators.

Operation

- With the new design of ergonomical tiller head, all buttons can be reached conveniently & comfortably.
- Long tiller reduces the steering force greatly.
- Adjustable forks, suitable for complicated pallets or cargos.
- Creep speed function: when tiller is in near vertical position, the driving speed will decrease automatically, allowing delicate operation in confined space.
- Side-open battery design for easy battery replacement and various applications.

Maintenance

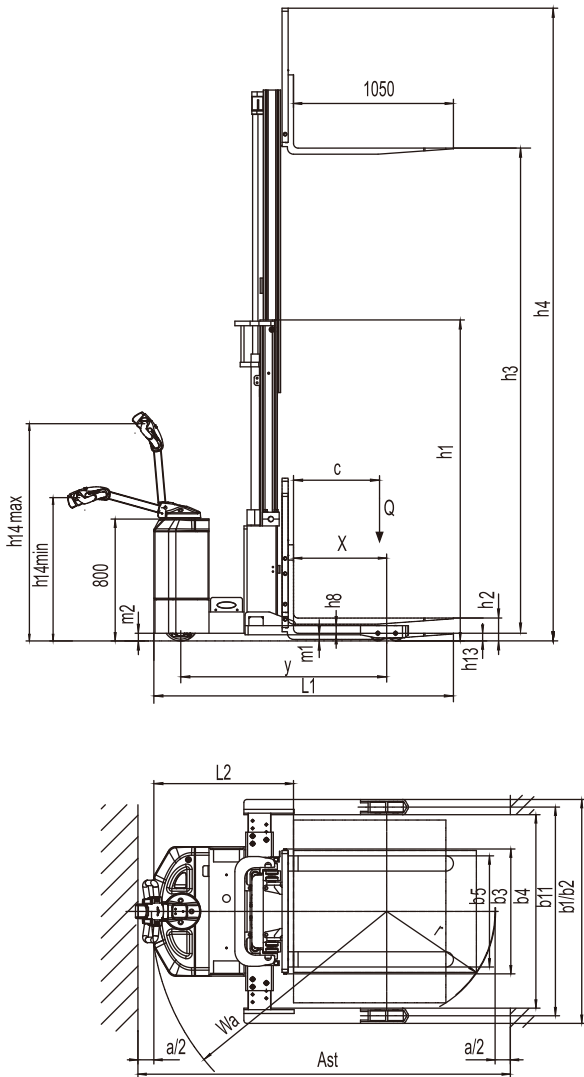
- AC traction motor, maintenance free.
- Hour meter and battery indicator remind the operator of battery charging.
- Easily remove the back cover by only loosening four bolts; Access to all key components for inspection, maintenance and replacement.
- Vertical motor makes the inspection & service much more convenient.
- Control system allows easy trouble-shooting.
- Mast and chassis are assembled together, easy for maintenance.
- Low voltage cut off setting protects batteries.

Electric Stacker 1.4/1.8t

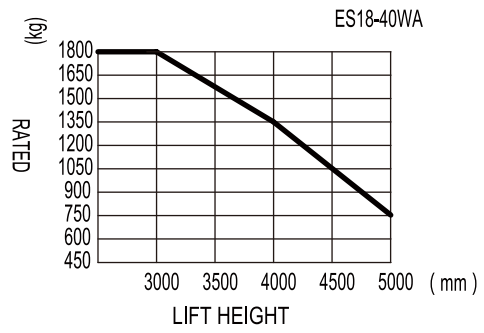
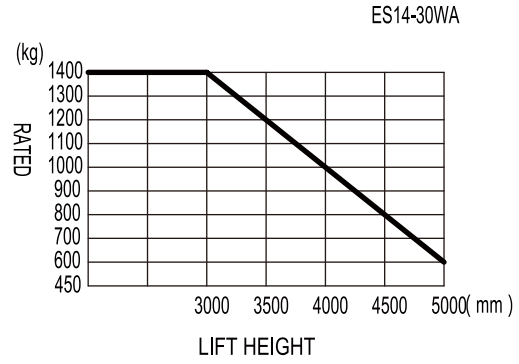
ES14-30WA/ES18-40WA

Distinguishing mark					
1.1	Manufacturer			EP	EP
1.2	Model designation			ES14-30WA	ES18-40WA
1.3	Drive unit			Electric	Electric
1.4	Type of operation			pedestrian	pedestrian
1.5	Rated capacity	Q	kg	1400	1800
1.6	Load center distance	c	mm	600	600
1.8	Load distance , centre of drive axle to fork	x	mm	610	610
1.9	Wheelbase	y	mm	1350	1455
Weight					
2.1	Service weight (include battery)		kg	1320	1520
2.2	Axle loading, laden driving side/loading side		kg	815/1905	945/2375
2.3	Axle loading, unladen driving side/loading side		kg	805/515	925/595
Types,Chassis					
3.1	Tyre type Driving wheels/Loading wheels			PU/PU	PU/PU
3.2	Tyre size, driving wheels (diameter×width)		mm	Φ230x75	Φ230x75
3.3	Tyre size, loading wheels (diameter×width)		mm	Φ102x73	Φ102x73
3.4	Tyre size, caster wheels (diameter×width)		mm	Φ85x48	Φ102x63.5
3.5	Wheels, number driving , caster/loading (x=drive wheels)		mm	1x+2/4	1x+2/4
3.6	Track width, front,driving side	b ₁₀	mm	580	580
3.7	Track width,rear,loading side	b ₁₁	mm	1170/1270/1370	1170/1270/1370
Dimensions					
4.2	Height, mast lowered	h ₁	mm	2118	2118
4.3	Free lift	h ₂	mm	150	150
4.4	Lift height	h ₃	mm	3200	3200
4.5	Height, mast extended	h ₄	mm	4115	4115
4.9	Height drawbar in driving position min./max.	h ₁₄	mm	990/1500	990/1500
4.10	Height of wheel arms	h ₆	mm	100	100
4.15	Lowered height	h ₁₃	mm	60	65
4.19	Overall length	l ₁	mm	1987	2092
4.20	Length to face of forks	l ₂	mm	917	1022
4.21	Overall width	b ₁ / b ₂	mm	850/1270/1370/1470	850/1270/1370/1470
4.22	Fork dimensions	s/ e/ l	mm	40/100/1070	45/100/1070
4.24	Fork carriage width	b ₃	mm	800	800
4.25	Distance between fork-arms	b ₅	mm	200-760	200-760
4.26	Distance between wheel arms	m ₁	mm	1070/1170/1270	970/1070/1270
4.32	Ground clearance, center of wheelbase	m ₂	mm	50	50
4.34.1	Aisle width for pallets 1000 × 1200 crossways	Ast	mm	2460	2560
4.34.2	Aisle width for pallets 800 × 1200 lengthways	Ast	mm	2460	2560
4.35	Turning radius	Wa	mm	1545	1645
Performance data					
5.1	Travel speed, laden/ unladen		km/ h	5.0/5.5	4.5/ 5.0
5.2	Lifting speed, laden/ unladen		m/ s	0.127/ 0.23	0.127/ 0.23
5.3	Lowering speed, laden/ unladen		m/ s	0.26/0.20	0.26/0.20
5.8	Max. gradeability, laden/unladen		%	8/10	6/10
5.10	Service brake type			Electromagnetic	Electromagnetic
Electric-engine					
6.1	Drive motor rating S2 60 min		kW	1.1	1.1
6.2	Lift motor rating at S3 15%		kW	3	3
6.3	The maximum allowed size battery		mm	800/230/open	800/330/open
6.4	Battery voltage/nominal capacity K5		V/ Ah	24/210	24/280
6.5	Battery weight		kg	190	250
Addition data					
8.1	Type of drive unit			AC	AC
10.5	Steering type			Mechanical	Mechanical
10.7	Sound pressure level at the driver's ear			74	74

1.The parameters in the table are of the standard model. For more information, please contact us.
2.The parameters are subject to change without notice.



RATED CAPACITIES GRAPH



Mast Option

mast types	Lift h3+h13 (mm)	Lowered mast height h1 (mm)	Free lift h2 (mm)	Extended mast height h4 (mm)
Duplex ZT	2640	1838	100	3555
	3000	2018	100	3915
	3200	2118	100	4115
	3590	2303	100	4505
Duplex ZZ	2660	1819	904	3585
	2960	1969	1054	3885
	3260	2119	1204	4185
Triplex DZ	4000	1822	904	4915
	4500	2022	1107	5415
	5000	2187	1272	5915

Option

Option	ES14-30WA	ES18-40WA
Standard Fork length	●850/1000/1300/1450	●850/1000/1300/1450
mast screen	●organic glass	●organic glass
Driving wheel	●Rubber wheel	—
High capacity battery	●224Ah maintenance free battery : 4-6V+20A buit-in charger	●224Ah maintenance free battery : 4-6V+20A buit-i/360Ah
lateral battery change	●	●
cold storage	●	●
battery indicator without hour meter	●	●
proportional lifting	●	●
Vertical handler working	●	●
side shift	●	●
auto-filling water system	●	●