

LIFTKET[®]

ELECTRIC CHAIN HOISTS



**BECAUSE
IT WORKS**

LIFTKET



LIFTKET electric chain hoists –
in use worldwide





Production program

» Electric chain hoists 125 kg – 6300 kg

» Electric chain hoists 4000 kg – 25000 kg

» Electric chain hoists for special requirements

» Electric chain hoists single phase 125 kg – 2000 kg

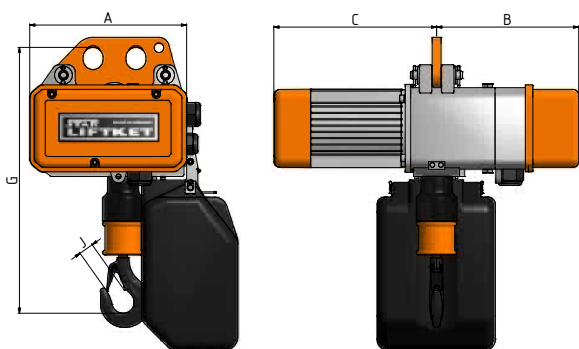
» Single bolt trolleys for underslung cranes



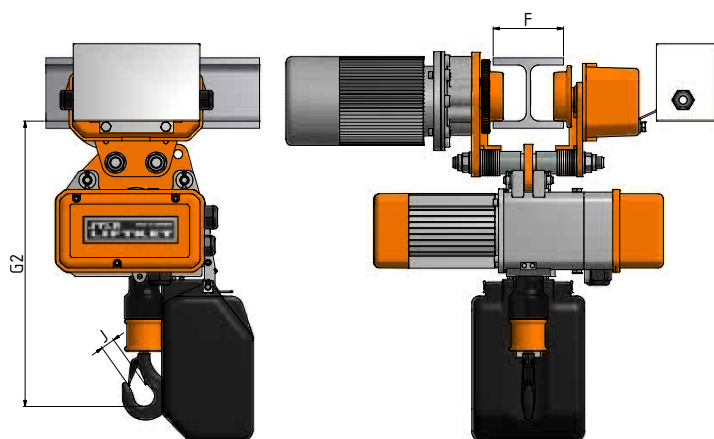
Electric chain hoists

- » High duty rate
- » Patented safety-brake-clutch system
- » Modular hoist design
- » Simply and cost effective maintenance and repair
- » Different chain qualities available
- » Quick and safe change between single and double fall of chain
- » Low voltage control with changeable components – no printed circuit boards

Basic version

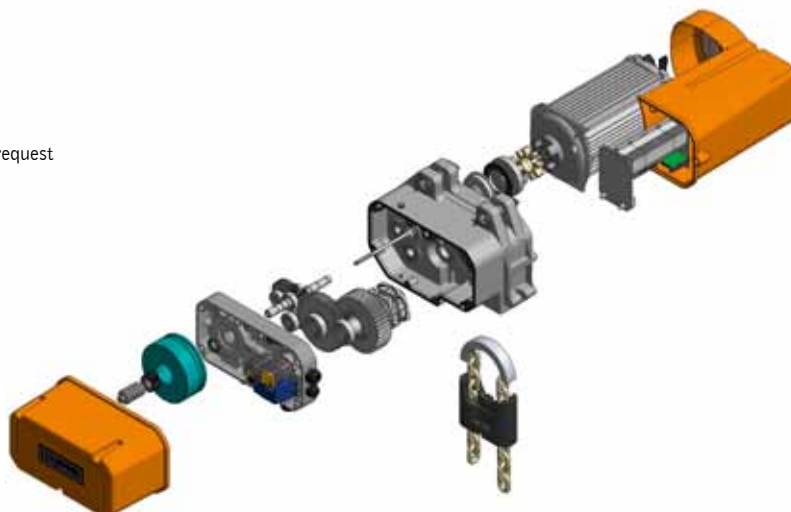


With electric trolley or push trolley



Technical data:

- Power supply 400 V, 3 ph, 50 Hz
- Different voltage and frequency options available on request
- Protection class IP55
- Insulation class F
- 1.5 m standard control cable
- 3 m standard lifting height
- Different lifting height and control cable lengths available on request
- For lifting heights of more than 20 m the safe working load will be reduced by the chain weight
- STAR models 090/..., 091/..., 110/... and 111/... have to be equipped with a low voltage control



125 kg – 6300 kg

Load chain EN 818-7 [mm]		Capacity single fall [kg]		Capacity double fall [kg]		STAR Model	Duty group of hoist FEM 9.511	Duty group of load chain EN 818-7	Duty rate [%] / Starts per hour [S/h]	Power of lifting motor at 50 Hz [kW]	Weight of basic version single fall [kg]	A [mm]	B [mm]	C [mm]	G single fall [mm]	G double fall [mm]	G2 single fall [mm]	G2 double fall [mm]	J single fall [mm]	J double fall [mm]	Trolley type [kg]	F Flange width [mm]	Travelling speed at 50 Hz [m/min]	Power of travel motor at 50 Hz [kW]	Minimum radius of beam [m]
4x12	125	24	250	12	020/50	3m	1Bm	60/240	0.55	17	212	192	220	359	407	406	454	20	22	500	N 50-106 or S1 110-200 or S2 210-300	5+20 or 16 or 25	0.04/0.18 or 0.12 or 0.12	1.0	
	125	8	250	4	020/52	3m	2m	60/360	0.25	17	212	192	220	359	407	406	454	20	22	500					
	125	4/1	250	2/0.5	021/57	3m	2m	60/40/240	0.32/0.08	17	212	192	220	359	407	406	454	20	22	500					
	125	8/2	250	4/1	021/53	3m	3m	60/40/240	0.32/0.08	17	212	192	220	359	407	406	454	20	22	500					
	250	6	500	3	020/53	3m	2m	60/240	0.55	17	212	192	220	359	407	406	454	20	22	500					
	250	8	500	4	020/54	2m	1Bm	60/240	0.55	17	212	192	220	359	407	406	454	20	22	500					
	250	8/2	500	4/1	021/51	2m	2m	40/25/240	0.32/0.08	17	212	192	220	359	407	406	454	20	22	500					
5.2x15	125	24/6	250	12/3	051/50	3m	2m	60/25/240	0.55/0.12	33	266	232	274	394	442	436	489	20	22	500	N 66-135 or S1 137-215 or S2 220-300	5+20 or 16 or 25	0.04/0.18 or 0.12 or 0.12	1.0	
	250	12	500	6	030/50	2m	2m	60/240	0.55	18	212	192	220	359	407	406	454	20	22	500					
	250	24	500	12	050/52	3m	1Bm	60/240	1.1	33	266	232	274	394	442	436	489	20	22	500					
	250	12/3	500	6/1.5	051/52	3m	2m	40/25/240	0.55/0.12	33	266	232	274	394	442	436	489	20	22	500					
	250	18/4.5	500	9/2.25	051/55	3m	2m	60/25/240	0.9/0.2	33	266	232	274	394	442	436	489	20	22	500					
	500	8	1000	4	030/52	1Bm	1Bm	40/240	0.7	18	212	192	220	359	407	415	463	20	22	1000					
7.2x21	500	10	1000	5	070/51	2m	2m	60/240	1.1	36	266	232	274	404	505	460	561	22	28	1000	N 82-155 or S1 137-215 or S2 220-300	5+20 or 16 or 25	0.04/0.18 or 0.12 or 0.12	1.5	
	500	8/2	1000	4/1	071/54	2m	2m	60/25/240	0.9/0.2	42	266	232	274	404	505	460	561	22	28	1000					
	500	10/2.5	1000	5/1.25	071/53	2m	2m	60/25/240	0.9/0.2	42	266	232	274	404	505	460	561	22	28	1000					
	800	8	1600	4	070/54	2m	2m	60/240	1.1	36	266	232	274	404	505	460	561	22	28	2000					
	1000	6	2000	3	070/55	2m	2m	40/240	1.1	36	266	232	274	404	505	460	561	22	28	2000					
	1000	10	2000	5	070/53	1Am	1Bm	60/240	1.7	42	266	232	274	404	505	460	561	22	28	2000					
	1000	6/1.5	2000	3/0.75	071/55	2m	2m	60/25/240	1.1/0.2	42	266	232	274	404	505	460	561	22	28	2000					
	1250	8	2500	4	070/56	1Bm	1Bm	60/240	1.7	42	266	232	274	420	521	478	579	22	28	3200					
	1250	8/2	2500	4/1	071/56	1Bm	1Bm	40/25/150	2.1/0.5	48	266	232	354	420	521	478	579	22	28	3200					
	1000	8	2000	4	090/54	3m	3m	60/240	2.2	69	359	283	359	488	596	548	655	28	30	2000					
9x27	1000	10	2000	5	090/52	3m	3m	60/240	3.0	69	359	283	359	488	596	548	655	28	30	2000	N 90-155 or S1 160-226 or S2 240-310	5+20 or 8 or 12	0.04/0.18 or 0.12 or 0.12	2.0	
	1000	8/2	2000	4/1	091/51	3m	3m	60/25/240	1.8/0.45	67	359	283	359	488	596	548	655	28	30	2000					
	1000	10/2.5	2000	5/1.25	091/52	3m	3m	60/25/240	1.8/0.45	67	359	283	359	488	596	548	655	28	30	2000					
	1600	8	3200	4	090/55	2m	2m	60/240	2.2	69	359	283	359	488	596	548	655	28	30	3200					
	1600	8/2	3200	4/1	091/55	2m	2m	60/25/240	3.0/0.75	88	359	283	359	488	596	548	655	28	30	3200					
	1600	10/2.5	3200	5/1.25	091/56	2m	2m	60/25/240	3.0/0.75	88	359	283	359	488	596	548	655	28	30	3200					
	1600	12/3	3200	6/1.5	091/58	2m	1Bm	40/25/240	4.4/1.1	103	359	338	406	488	596	548	655	28	30	3200					
	1600	16/4	3200	8/2	091/57	1Am	1Bm	40/25/240	4.4/1.1	103	359	338	406	488	596	548	655	28	30	3200					
11.3x31	2500	10	5000	5	110/52	2m	2m	60/240	4.0	90	359	291	367	611	740	678	807	30	42	5000	N 90-155 or S1 160-226 or S2 240-310	4+16	0.06/0.25	2.0	
	2500	10/2.5	5000	5/1.25	111/52	2m	2m	40/25/150	4.4/1.1	118	359	291	410	611	740	678	807	30	42	5000					
	3200	8	6300	4	110/54	1Bm	1Bm	60/240	4.0	90	359	291	367	611	740	678	807	30	42	6300					
	3200	8/2	6300	4/1	111/54	1Bm	1Bm	25/25/150	4.4/1.1	118	359	291	410	611	740	678	807	30	42	6300					

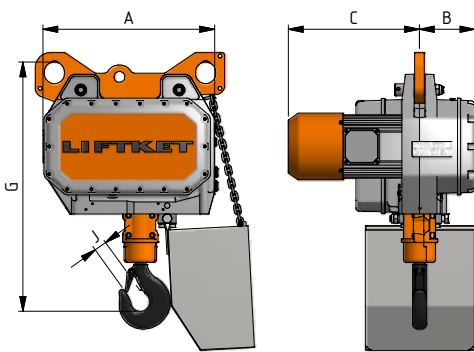
Subject to change without notice.
For other versions please visit www.liftket.com or ask our sales team.

Counter weights might be required for dual speed trolleys for special combinations of load capacity, flange width and type of control.

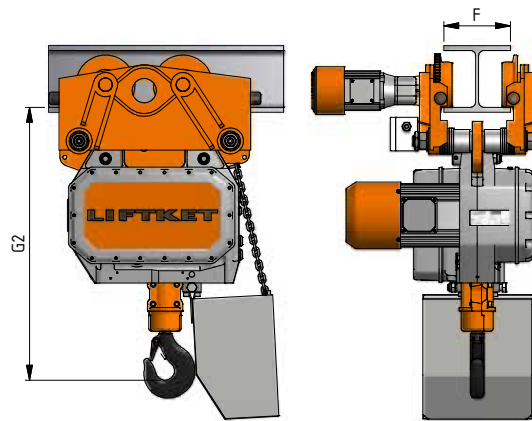


Electric chain hoists

Basic version



With electric trolley



LIFTKET version B13/00X and version B15/00Y

Load chain EN 818-7 [mm]	Capacity		Lifting speed at 50 Hz [m/min]	Model	Duty group of hoist FEIM 9.511	Duty group of load chain EN 818-7	Duty rate [%] / Starts per hour [S/h]	Power of lifting motor at 50 Hz [kW]	Weight of basic version single fall without chain [kg]	A [mm]	B [mm]	C [mm]	G single fall [mm]	G double fall [mm]	G2 single fall [mm] one trolley	G2 double fall [mm] one trolley	J single fall [mm]	J double fall [mm]	Trolley type [kg]	F Flange width [mm]	Travelling speed at 50 Hz [m/min]	Power of travel motor at 50 Hz [kW]
	single fall [kg]	double fall [kg]																				
16x45	4000	8000	5.6/1.4	B13/00X	2m	2m	60/40/240	6.0/1.3	224	567	183	434	823	916	901	994	42	50	12500	N 140-230 or S1 220-310	4-16	0.12 / 0.55
	5000	10000	5.6/1.4	B13/00X	1Am	1Am	60/40/180	6.0/1.3	224	567	183	434	823	916	901	994	42	50	12500			
	6300	12500	5.6/1.4	B13/00X	1Bm	1Bm	60/40/150	6.4/1.6	224	567	183	434	823	916	901	994	42	50	12500			
17.3x48	7500	15000	4.4/1.1	B15/00Y	1Bm	1Bm	60/40/150	6.4/1.6	224	567	183	434	823	916	901	994	42	50	15000			

Subject to change without notice.

Remark: The standard trolleys of these hoist versions are not suitable for curved beams.

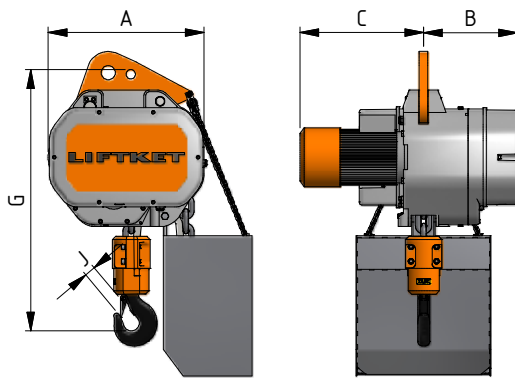
Technical data:

- Power supply 400 V, 3 ph, 50 Hz
- Different voltage and frequency options available on request
- Protection class IP54, optional IP55
- Insulation class F
- 24 Volt standard low voltage control
- Electric limit switches
- 1.5 m standard control cable
- 3 m standard lifting height
- Different lifting height and control cable lengths available on request
- For lifting heights of more than 10 m the safe working load will be reduced by the chain weight

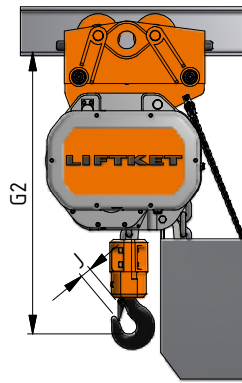


4000 kg – 25000 kg

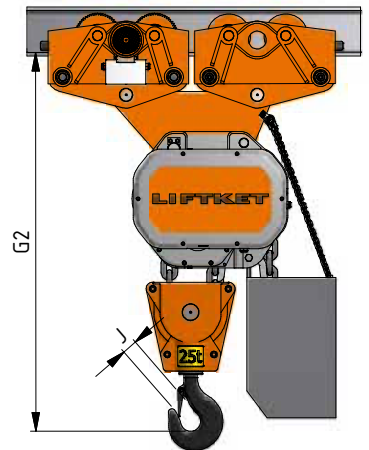
Basic version



Single fall/
one electric trolley



Double fall/
two electric trolleys



POWER LIFTKET version 235/50

Load chain EN 818-7 [mm]	Capacity single fall [kg]	Lifting speed at 50 Hz [m/min]	Capacity double fall [kg]	Lifting speed at 50 Hz [m/min]	Model	Duty group of hoist FEM 9.511	Duty group of load chain EN 818-7	Duty rate [%] / Starts per hour [S/h]	Power of lifting motor at 50 Hz [kW]	Weight of basic version single fall without chain [kg]	A [mm]	B [mm]	C [mm]	G single fall [mm]	G double fall [mm]	G2 single fall [mm] one trolley	G2 double fall [mm] two trolleys	J single fall [mm]	J double fall [mm]	Trolley type [kg]	F Flange width [mm]	Travelling speed at 50 Hz [m/min]	Power of travel motor at 50 Hz [kW]
23.5x66	8000	6.4/1.6	16000	3.2/0.8	235/50	2m	2m	25/10/240	12.5/3.1	517	700	423	556	1174	1456	1266	1703	50	67	2x12500	N 140-230 or S1 220-310	4+16	2x 0.12/ 0.55
	10000	6.4/1.6	20000	3.2/0.8	235/50	1Am	1Am	25/10/180	12.5/3.1	517	700	423	556	1174	1456	1266	1703	50	67	2x12500			
	12500	6.4/1.6	25000	3.2/0.8	235/50	1Bm	1Bm	25/10/150	12.5/3.1	517	700	423	556	1174	1456	1266	1703	50	67	2x12500			

Subject to change without notice.

Remark: The standard trolleys of these hoist versions are not suitable for curved beams.

Technical data:

- Power supply 400 V, 3 ph, 50 Hz
- Different voltage and frequency options available on request
- Protection class IP55
- Insulation class F
- 24 Volt standard low voltage control
- Electric limit switches
- 1.5 m standard control cable
- 3 m standard lifting height
- Different lifting height and control cable lengths available on request
- For lifting heights of more than 10 m the safe working load will be reduced by the chain weight

Electric chain hoists requirements

- » Load chains and load hooks made from stainless steel are available especially for the chemical and the food industry.
- » Feel free to address your requirements. Note that due to the stainless steel components the load capacity may have to be reduced.

Control pendant with mode switch for the control of two electric chain hoists



Robust control pendant with impact protection and integrated strain relief



for special



The perfect special application

To lift long loads synchronously different hoisting devices up to 2 x 1250 kg load capacity are available.



Example for a STAR LIFTKET with extreme short headroom for either stationary use and with push or electric trolleys. (Special version with rack and pinion)

Radio control, also available as multi-channel control or for the control of hoist groups.



Electric chain hoist with two brakes and internal gear limit switch – encoders and frequency inverters can be added



Electric chain hoists single phase 125 – 2000 kg

- » All the advantages of the standard chain hoists are incorporated in the models with single phase motors. They are designed for places without a three-phase power supply.
- » Due to the excellent thermal performance of the motor high duty rates and longer lifting heights are possible.
- » All single phase electric chain hoists require a minimum diameter of 2.5 mm² for the power supply cable for trouble-free operation.
- » The power supply cable should be as short as possible.

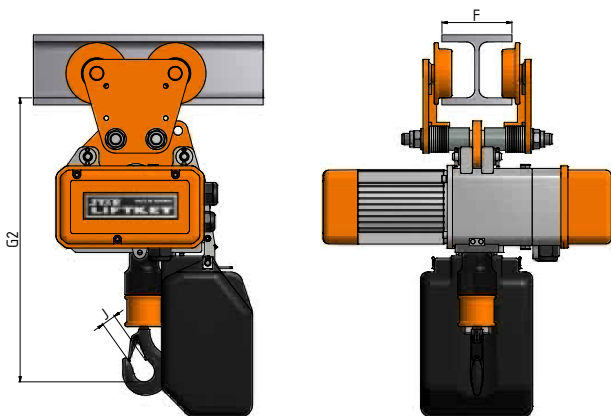
Load chain EN 818-7 [mm]	Capacity single fall [kg]	Lifting speed at 50 Hz [m/min]	Capacity double fall [kg]	Lifting speed at 50 Hz [m/min]	STAR Model	Duty group of hoist FEM 9-511	Duty group of load chain EN 818-7	Duty rate [%] / Starts per hour [S/h]	Power of lifting motor at 50 Hz [kW]	Weight of basic version single fall [kg]	A [mm]	B [mm]	C [mm]	G single fall [mm]	G double fall [mm]	G2 single fall [mm]	G2 double fall [mm]	J single fall [mm]	J double fall [mm]	Trolley type [kg]	F Flange width [mm]
4x12	250	8	500	4	020/01	2m	1Bm	40/240	0.35	17	212	192	220	359	407	406	454	20	22	500	N 50-106 or S1 110-200 or S2 210-300
5.2x15	125	24	250	12	050/01	3m	2m	40/240	0.55	33	266	232	274	394	442	436	489	20	22	500	
	500	8	1000	4	050/02	1Am	1Bm	40/240	0.7	33	266	232	274	394	442	449	497	20	22	1000	
7.2x21	500	10	1000	5	070/02	2m	2m	40/240	1.1	36	266	232	274	404	505	460	561	22	28	1000	N 66-135 or S1 137-215 or S2 220-300
	1000	6	2000	3	070/01	1Am	1Bm	40/240	1.1	36	266	232	274	404	505	460	561	22	28	2000	

Subject to change without notice.

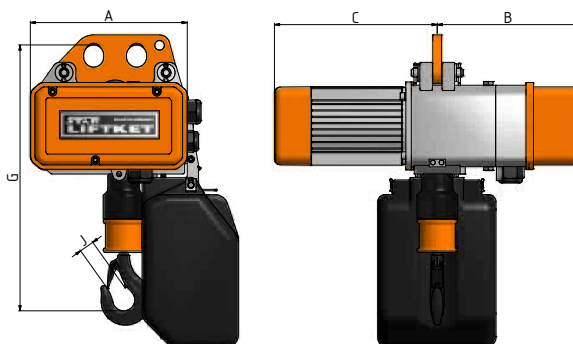
Technical data:

- Power supply 230 V, 1 ph, 50 Hz
- Different voltage and frequency options available on request
- Protection class IP55
- Insulation class F
- 1.5 m standard control cable
- 3 m standard lifting height
- Different lifting height and control cable lengths available on request
- For lifting heights of more than 20 m the safe working load will be reduced by the chain weight

With push trolley



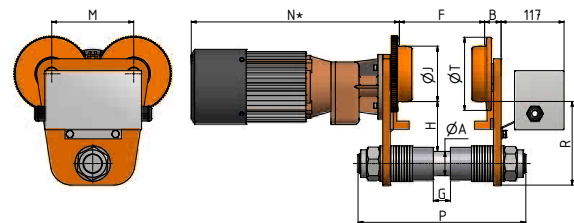
Basic version



Single bolt trolleys for underslung cranes

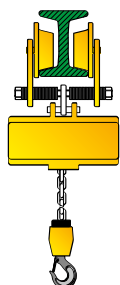
- » All wheels are equipped with roller bearings and have a wear-resistant surface. The higher capacity wheels are case-hardened.
- » Suitable for use on parallel and tapered flanges
- » All parts are low-maintenance.
- » All bolts, distance tubes and spacing washers are galvanized for better corrosion protection.
- » All electric trolleys are equipped with robust electromagnetic disk brakes.
- » The travel motors are protected according to IP54 (minimum).
- » All trolleys are equipped with safety drop stop.

Single bolt trolley

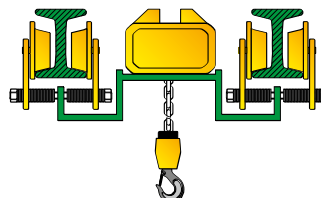


Trolley type [kg]	F Flange width [mm]	ø A [mm]	B [mm]	G [mm]	H [mm]	ø J [mm]	M [mm]	ø T [mm]	P [mm]	R [mm]	Weight of push trolley [kg]	Weight of trolley with travel motor I [kg]	Travelling speed I at 50 Hz [m/min]	Power of travel motor I at 50 Hz [kW]	N* at travel motor I [mm]	Travelling speed II at 50 Hz [m/min]	Power of travel motor II at 50 Hz [kW]	N* at travel motor II [mm]	Travelling speed III at 50 Hz [m/min]	Power of travel motor III at 50 Hz [kW]	N* at travel motor III [mm]
EEF 1000 or EHF 1000	N 66-135	28	26.5	24	71	70	112	88	243	109	10	18	5+20	0.04/0.18	264	7.5+30	0.06/0.25	356	16 or 25	0.12	192
	S1 137-215	32	26.5	24	69	70	112	88	325	109	11	19	5+20	0.04/0.18	264	7.5+30	0.06/0.25	356	16 or 25	0.12	192
	S2 220-300	35	26.5	24	67.5	70	112	88	409	109	12	20	5+20	0.04/0.18	264	7.5+30	0.06/0.25	356	16 or 25	0.12	192
EEF 2000 or EHF 2000	N 66-135	35	26.5	24	87.5	70	112	88	268	135	12	20	5+20	0.04/0.18	264	7.5+30	0.06/0.25	356	16 or 25	0.12	192
	S1 137-215	40	26.5	24	85	70	112	88	348	135	13	22	5+20	0.04/0.18	264	7.5+30	0.06/0.25	356	16 or 25	0.12	192
	S2 220-300	45	26.5	24	82.5	70	112	88	434	135	15	24	5+20	0.04/0.18	264	7.5+30	0.06/0.25	356	16 or 25	0.12	192
EEF 3200 or EHF 3200	N 82-155	45	28	32	93	103	152.5	136	332	156	26	32	5+20	0.04/0.18	356	7.5+30	0.06/0.25	356			
	S1 137-215	50	28	32	90.5	103	152.5	136	390	156	29	35	5+20	0.04/0.18	356	7.5+30	0.06/0.25	356			
	S2 220-300	55	28	32	88	103	152.5	136	482	156	30	37	5+20	0.04/0.18	356	7.5+30	0.06/0.25	356			
EEF 5000 or EHF 5000	N 90-155	50	50	35	95	122	191	160	345	170	49	70	4+16	0.06/0.25	407						
	S1 160-226	55	55	35	92.5	122	191	160	414	170	51	72	4+16	0.06/0.25	407						
	S2 240-300	63	63	35	88.5	122	191	160	496	170	55	76	4+16	0.06/0.25	407						
EEF 6300 or EHF 6300	N 90-155	50	50	35	95	122	191	160	345	170	49	70	4+16	0.06/0.25	407						
	S1 160-226	55	55	35	92.5	122	191	160	414	170	51	72	4+16	0.06/0.25	407						
	S2 240-300	63	63	35	88.5	122	191	160	496	170	55	76	4+16	0.06/0.25	407						

Subject to change without notice.
* only for electric trolleys



Assembly as standard headroom monorail crane



Assembly as double girder crane including foot mounted hoist for improved headroom



LIFTKET[®]

ELECTRIC CHAIN HOISTS

**HOFFMANN Fördertechnik
GmbH Wurzen**

Dresdener Straße 64–68 · D-04808 Wurzen · Germany · phone: +49-3425-89 24-0

fax: +49-3425-89 24-99 · email: sales@liftket.de · internet: <http://www.liftket.com>

Ho 2015/08: Previous editions are no longer valid. Subject to change without notice.
© Pictures: HOFFMANN Fördertechnik GmbH Wurzen, fotolia.com