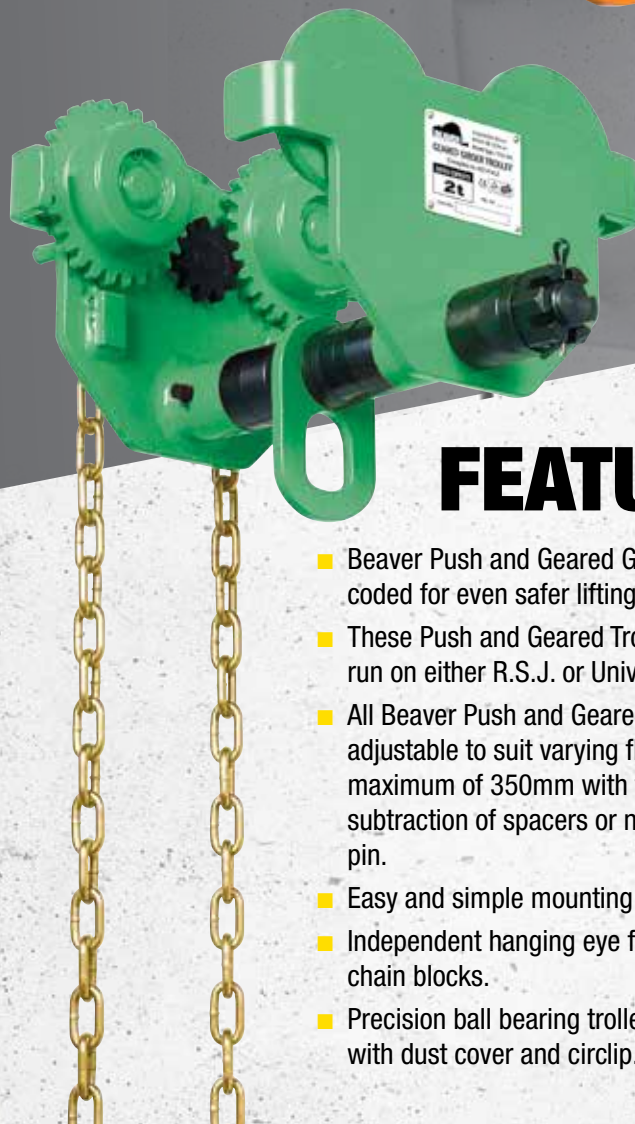




PUSH & GEARED GIRDER TROLLEYS



FEATURES

- Beaver Push and Geared Girder Trolleys are colour coded for even safer lifting capacity recognition.
- These Push and Geared Trolleys are designed to run on either R.S.J. or Universal Beams.
- All Beaver Push and Geared Trolleys are fully adjustable to suit varying flange widths up to a maximum of 350mm with the simple addition or subtraction of spacers or nuts on a suspension pin.
- Easy and simple mounting in different locations.
- Independent hanging eye for easy attachment of chain blocks.
- Precision ball bearing trolley wheels complete with dust cover and circlip.
- Lightweight robust all-steel construction.
- Anti-derailment end plates fitted as standard for added safety.
- Anti-tilt blocks fitted as standard for additional safety.
- Hand chain on Geared Trolleys has a special, corrosion resistant Zinc dichromate (gold) finish.
- Each Beaver Girder Trolley has an individual serial number stamped on the stainless steel identification plate. This number coincides directly to the test certificate of the product, for quick and easy tracing and reference.
- Every Beaver Girder Trolley is operationally tested to 150% of its rated capacity and comes with a test certificate.
- Spare trolley wheels are available, complete with full repair facilities and re-testing in Beaver's NATA Approved test facility.



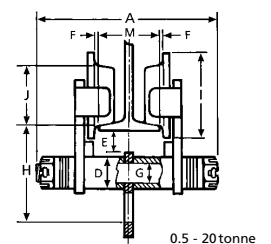
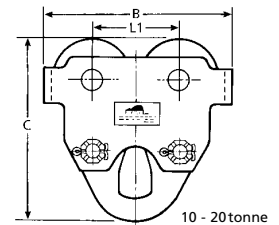
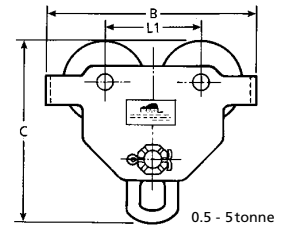
PUSH GIRDER TROLLEYS

BEAVER PUSH GIRDER TROLLEYS

Complies to AS 1418.2 and approved. Colour coded to match International Lifting Standard

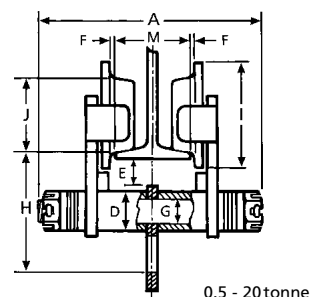
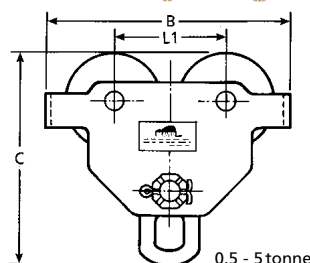


Product Code	522005S	522010S	522020S	522030S	522050S	522100S
Rated Capacity	500 kg	1 tonne	2 tonne	3 tonne	5 tonne	10 tonne
Colour Code	White	Violet	Green	Yellow	Red	Orange
Proof Load (kN)	7.35	14.71	29.42	44.13	61.29	122.58
Adjustable Beam Width (mm)	50-152	64-203	88-203	100-305	114-305	124-305
Minimum Radius of Curve (m)	0.8	1	1.1	1.3	1.4	2
A (mm) (Overall Width)	245	311	327	445	457	490
B (mm) (Length)	199	246	276	332	377	424
C (mm)	187	222	263	309	353	396
D (mm)	34	40	52	58	64	64
E (mm)	30	38	38	40	42	45
F (mm)	1.5 - 3	1.5 - 3	1.5 - 3	1.5 - 3	2 - 3.5	2 - 3.5
G (mm)	24	30	36	42	48	48
H (mm) (Headroom)	105	125	150	171	196	190
I (mm) (Flange Dia.)	79	95	108	131	144	176
J (mm)	55	68	80	100	110	136
L1 (mm)	100	120	132	155	168	200
Net Weight (kg)	6.5	10.5	17.5	27	41	71



Beaver Push & Geared Girder Trolleys are not designed for passenger elevator applications and must not be used for this purpose. Selection and calculation of the proper beam construction are the responsibility of the user.

Product Code	522015S
Capacity W.L.L. (kg)	1500
Beam Width (mm)	74 - 203
Proof Load (kN)	22.06
Standard Lift (m)	3
Effort Rated Capacity (N)	70
Minimum Radius of Curve (m)	1
A (mm) (Overall width)	338
B (mm) (Length)	260
C (mm)	238
D (mm)	45
E (mm)	38
F (mm)	1.5-3
G (mm)	33
H (mm) (Headroom)	134
I (mm) (Flange Dia.)	102
J (mm)	74
L1 (mm)	125
L2 (mm)	23
L3 (mm)	8
Net Weight (kg)	17.5



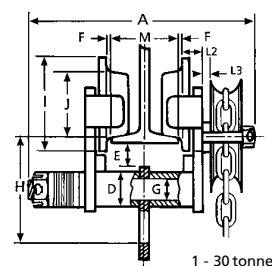
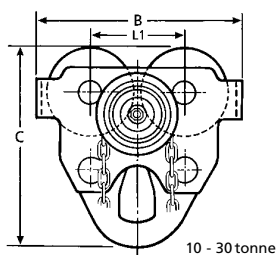
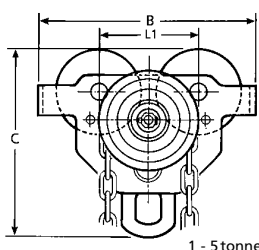
GEARED GIRDER TROLLEYS

BEAVER GEARED GIRDER TROLLEYS

Complies to AS 1418.2 and approved. Colour coded to match International Lifting Standard

Product Code	523010S	523020S	523030S	523050S	523100S	523200S	523300S
Rated Capacity	1 tonne	2 tonne	3 tonne	5 tonne	10 tonne	20 tonne	30 tonne
Colour Code	Violet	Green	Yellow	Red	Orange	Orange	Orange
Proof Load (kN)	14.71	29.42	44.13	61.29	122.58	245.17	367.74
Adjustable Beam Width (mm)	64-203	88-203	100-305	114-305	124-305	136-305	175-305
Standard Lift (m)	3	3	3	3	3	3	3
Effort at Rated Capacity (N)	50	90	95	140	240	250	250
Minimum Radius of Curve (m)	1.0	1.1	1.3	1.4	2.0	3.5	6.0
A (mm) (Overall Width)	338	349	464	476	510	600	673
B (mm) (Length)	246	276	332	377	424	555	710
C (mm)	222	263	309	353	396	498	598
D (mm)	40	52	58	64	64	75	90
E (mm)	38	38	40	42	45	58	65
F (mm)	1.5 - 3	1.5 - 3	1.5 - 3	2 - 3.5	2 - 3.5	2 - 3.5	2 - 3.5
G (mm)	30	36	42	48	48	55	65
H (mm) (Headroom)	125	150	171	186	190	233	285
I (mm) (Flange Dia.)	95	108	131	144	176	226	286
J (mm)	68	80	100	110	136	175	200
L1 (mm)	120	132	155	168	200	272	330
L2 (mm)	23	26	29	35	52	78	100
L3 (mm)	8	8	10	10	25	58	82
Net Weight (kg)	14.5	21.5	31	46	75	172	337

Beaver Push & Geared Girder Trolleys are not designed for passenger elevator applications and must not be used for this purpose. Selection and calculation of the proper beam construction are the responsibility of the user.



COLOUR CODE CAPACITY CHART

WHITE

500KG

RED

5 tonne

VIOLET

1 tonne

ORANGE

10 tonne

GREEN

2 tonne

ORANGE

20 tonne

YELLOW

3 tonne

ORANGE

30 tonne



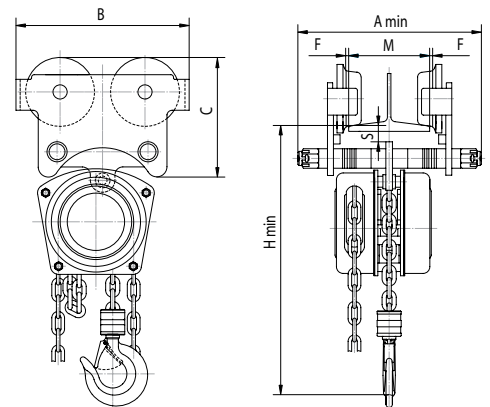


CLOSE HEADROOM GIRDER TROLLEYS

BEAVER CLOSE HEADROOM PUSH GIRDER TROLLEYS

(to suit 3G Chain Blocks) Complies to AS 1418.2

Product Code	522010SC	522020SC	522050SC
Rated Capacity	1 tonne	2 tonne	5 tonne
Colour Code	Violet	Green	Red
Proof Load (kN)	14.71	29.42	61.29
Adjustable Beam Width (mm)	64-203	88-203	114-305
Minimum Radius of Curve (m)	0.9	1	1.3
A (mm) (Overall Width)	303	317	457
B (mm) (Length)	246	276	377
C (mm)	164	183	246
H (mm)	385	480	640
S (mm)	38	38	42
F (mm)	1.5 - 3	1.5 - 3	1.5 - 3
M (mm)	64-203	88-203	114-305
Net Weight (kg)	23.5	39	89

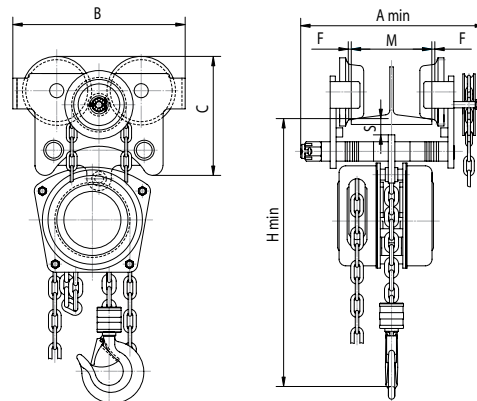
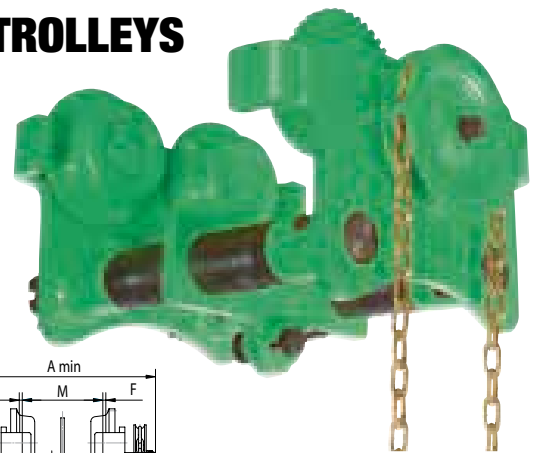


Beaver Push & Geared Close Coupled Girder Trolleys are not designed for passenger elevator applications and must not be used for this purpose. Selection and calculation of the proper beam construction are the responsibility of the user.

BEAVER CLOSE HEADROOM GEARED GIRDER TROLLEYS

(to suit 3G Chain Blocks) Complies to AS 1418.2

Product Code	523050SC
Rated Capacity	5 tonne
Colour Code	Red
Proof Load (kN)	61.29
Running Height	2.5
Chain Pull (full load) (kg)	140
Adjustable Beam Width (mm)	114-305
Minimum Radius of Curve (m)	1.3
A (mm) (Overall Width)	475
B (mm) (Length)	377
C (mm)	246
H (mm)	640
S (mm)	42
F (mm)	1.5 - 3
M (mm)	114-305
Net Weight (kg)	93



Distributed By:

Specifications and dimensions subject to change without notice. © Copyright Beaver Sales 2014 B0C SA-02-500M.