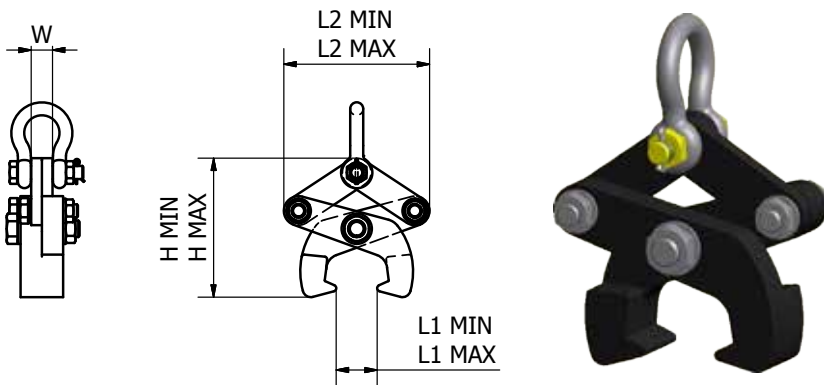


## Railway Line Lifting Tongs

Product Code	W.L.L. (kg)	Weight (Kg)	L1 min mm	L1 max mm	L2 min mm	L2 max mm	H min mm	H max mm	W mm	UOM
263150R	1500	7.5	0	80	190	220	265	180	26	Each



## Beaver Drum Hooks - Drop forged Grade 80 Heat treated, Painted Yellow

Complies to AS 3776 for Grade 80 Fittings

Product Code	W.L.L. per pair (kg)	Grade 80 Chain mm	d mm	c mm	Net Weight per Pair (kg)	UOM
886840	2000	40397	40	165	1.8	Each

