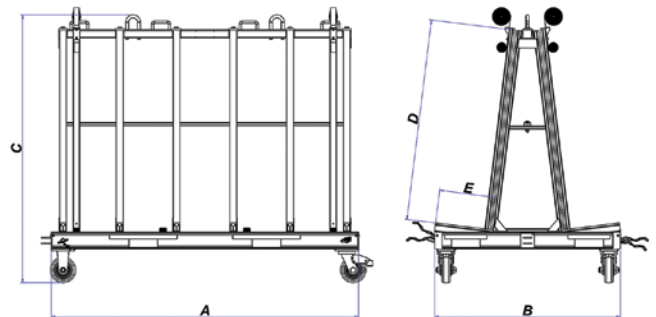


GLASS HANDLING & TRANSPORT EQUIPMENT

One Stop A Frames



The CRL One Stop A-Frame is designed for transporting material and storing it in the factory or on the job site. The glass sheets are placed on special rubber profiles and secured with four (4) ratchet securing bars. The center section can be used to store tools and equipment.

The frame features two (2) eyelets that can be used to lift the frame with an overhead crane. Space is provided on all base sides for forklift transport. Quick release mounting pins change the unit from a mobile A-frame to a stationary A-frame.

CAT. NO.	LENGTH (A)	WIDTH (B)	HEIGHT - GROUND TO TOP OF FRAME (C)	LOAD HEIGHT (D)	STEP DEPTH (E)	NET WEIGHT	LIFTING WITH EYELETS	ROLLING CAPACITY	STATIONARY WITHOUT CASTERS
CRL83100AU	1544mm	973mm	1282mm	890mm	290mm	157kg	2500kg	2000kg	8000kg
CRL81100AU	1824mm	1100mm	1550mm	1190mm	333mm	167kg	2500kg	2000kg	14000kg
CRL84100AU	1824mm	1100mm	1986mm	1569mm	349mm	188kg	2500kg	2000kg	14000kg
CRL87100AU	2194mm	1100mm	1980mm	1569mm	296mm	210kg	2500kg	2000kg	14000kg
CRL89100AU	2400mm	1200mm	2380mm	1971mm	339mm	259kg	2500kg	2000kg	14000kg