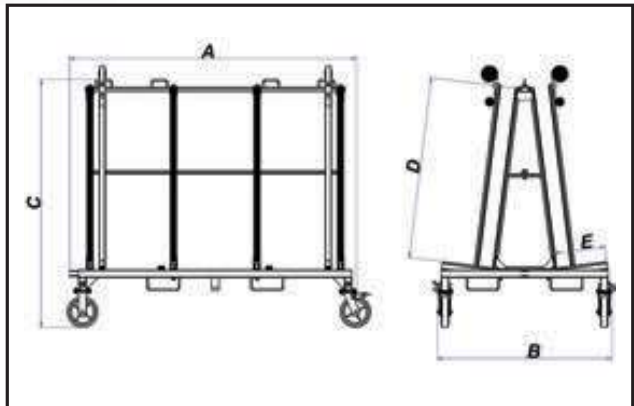


GLASS INDUSTRY
ABACO SMART ONE STOP A-FRAME

The Smart One Stop A-Frame offers a safe solution for moving glass sheets, featuring rubber strips and ratchet securing bars to keep loads steady and protect against damage. Its base includes wide slots for easy forklift access, along with four casters - two with brakes - for smooth and stable mobility. The entire frame is fully dismantlable for convenient transport or storage



Model	Length (A) In (mm)	Width (B) In (mm)	Height (C) In (mm)	(D) In (mm)	(E) In (mm)	Net Weight lbs (kg)	Capacity with Casters - lbs (kg)	Stationary w/o Casters - lbs (kg)
SOSA7247	74 ½ (1,892)	45 ¼ (1,150)	64 ½ ¹⁶ (1,626)	46 11 ¹⁶ (1,186)	13 ¾ (340)	279.4 (127)	3,300 (1,500)	11,000 (5,000)
SOSA7263	74 ½ (1,892)	45 ¼ (1,150)	79 ¾ (2,025)	62 ⅜ (1,578)	13 15 ¹⁶ (354)	301.4 (137)	3,300 (1,500)	11,000 (5,000)
SOSA8763	90 ¼ (2,292)	45 ¼ (1,150)	79 ½ (2,019)	62 9 ¹⁶ (1,589)	11 9 ¹⁶ (294)	363 (165)	3,300 (1,500)	11,000 (5,000)
SOSA9679	96 7 ⁸ (2,460)	47 ¼ (1,200)	95 9 ¹⁶ (2,428)	78 1 ¹⁶ (1,982)	13 7 ¹⁶ (342)	393.8 (179)	3,300 (1,500)	11,000 (5,000)