

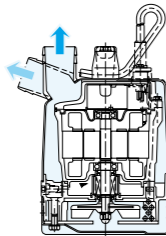
Light, Compact, Easy-to-Uses Tsurumi Typical Portable Pumps, Perfect for a Variety of Applications



Individual Features

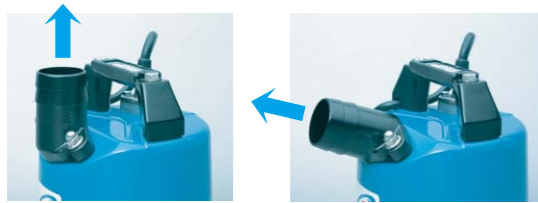
Flow-Thru Design

An excellent cooling effect for the motor can be achieved at low water levels. The top discharge port enables the pump to be installed in narrow locations.



Multi-Directional Hose Coupling

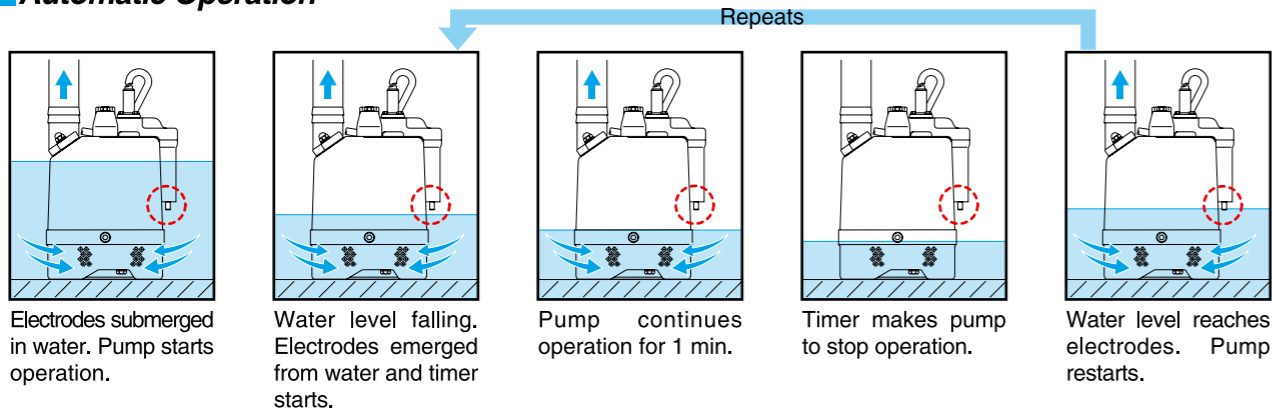
Discharge can be converted to horizontal direction. Notched bolt holes enable the hose coupling to be removed by merely loosening the cap nuts.



Slimline Models

The non-automatic model has the overall dimension of 187 mm and can fit in a 200-mm (8") casing.

Automatic Operation



Major Standard Specifications

Discharge Bore		mm	50(80)	
Motor Output		kW	0.48 - 0.75	
Pumping Fluid	Type of Fluid	Rain, Spring, Ground, Sand Carrying Water		
	Fluid Temperature	0 to 40°C		
Pump	Structure	Impeller	Semi-vortex	
		Shaft Seal	Double Mechanical Seal (with Oil Lifter)	
		Bearing	Double-shielded Ball Bearing	
	Materials	Impeller	Urethane Rubber	
		Casing	Synthetic Rubber	
		Shaft Seal	Silicon Carbide	
Motor	Type, Pole	Dry Type Submersible Induction Motor, 2-pole		
	Class of Insulation	Class-E		
	Phase/Voltage	Single-phase/ 110V, 220V, 230V, 240V		
	Starting Method	Capacitor Run		
	Protection Device (Built-in)	Miniature Thermal Protector/ Circle Thermal Protector		
	Lubricant	Turbine Oil (ISO VG32)		
	Materials	Frame	Aluminium Alloy Casting	
		Shaft	403 Stainless Steel	
Cable		PVC		

Simple Structure

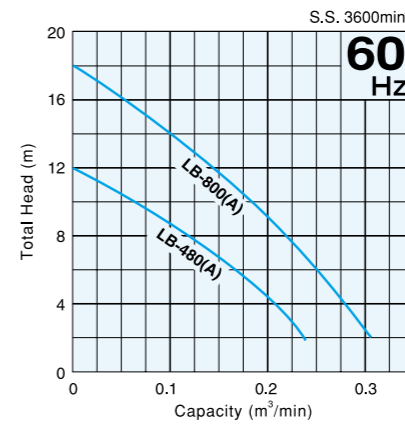
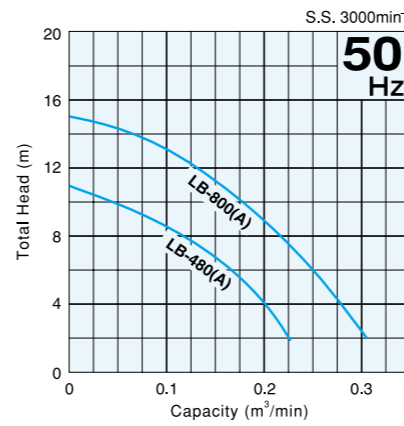
The pump section can be disassembled and reassembled using a single 13-mm box wrench.

Electrode Auto Control Device (LB-A)

Stable electrode-type sensor ON/OFF operation prevents dry running, saves power consumption, and extends operational life.



Performance Curves

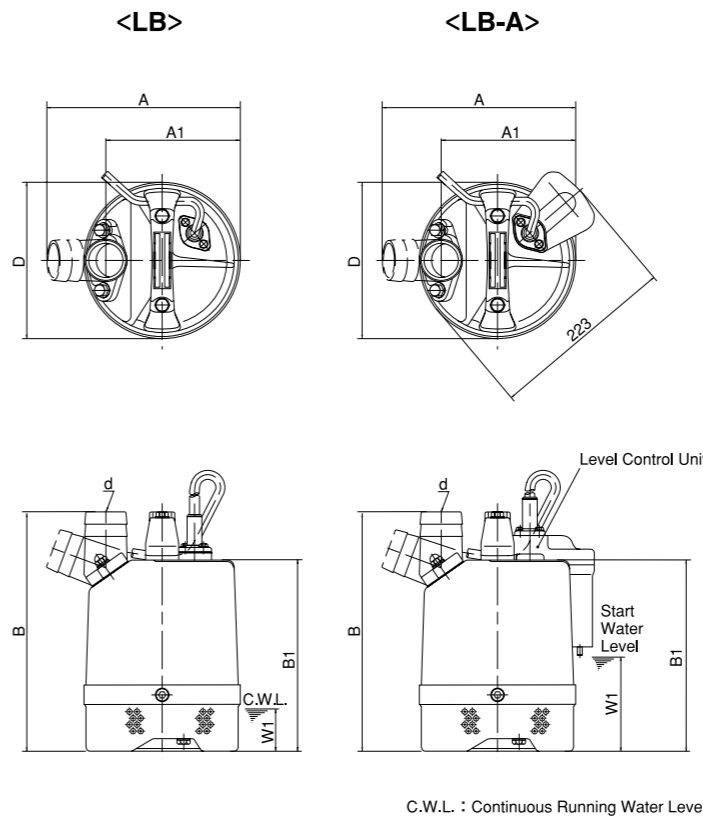


Standard Specifications 50/60Hz

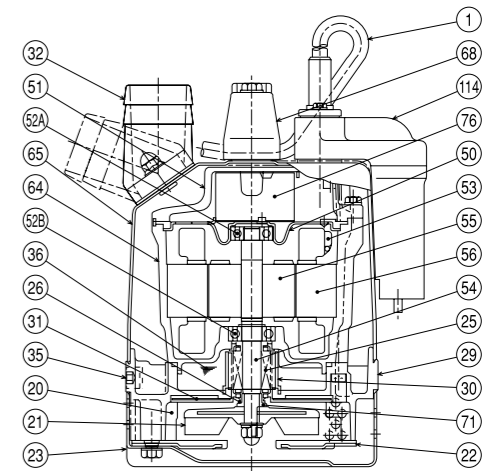
Discharge Bore mm	Model	Motor Output kW	Phase	Starting Method	Dry Weight kgs	Cable Length m	Dimensions mm						C.W.L. mm
							d	A	A1	B	B1	D	
50	LB-480	0.48	Single	Capacitor Run	10.4	5	50	233	162	286	228	187	50
50	LB-480A	0.48	Single	Capacitor Run	11.0	5	50	233	162	286	228	187	115
50(80)	LB-800	0.75	Single	Capacitor Run	13.2	5	50	230	160	337	283	187	50
50(80)	LB-800A	0.75	Single	Capacitor Run	13.8	5	50	230	160	337	283	187	170

● 80 mm discharge available on request ● Dry weight excluding cable

Dimensions



Cross-Section



No.	Description	No.	Description	No.	Description
1	Cable	31	Wearing Plate	54	Shaft
20	Pump Casing	32	Hose Coupling	55	Rotor
21	Impeller	35	Oil Plug	56	Stator
22	Suction Cover	36	Lubricant	64	Motor Frame
23	Strainer Stand	50	Motor Bracket	65	Outer Cover
25	Mechanical Seal	51	Motor Head Cover	68	Handle
26	V-ring	52A	Upper Bearing	71	Shaft Sleeve
29	Oil Casing	52B	Lower Bearing	76	Capacitor
30	Oil Lifter	53	Motor Protector	114	Relay Unit