


Technical Information :

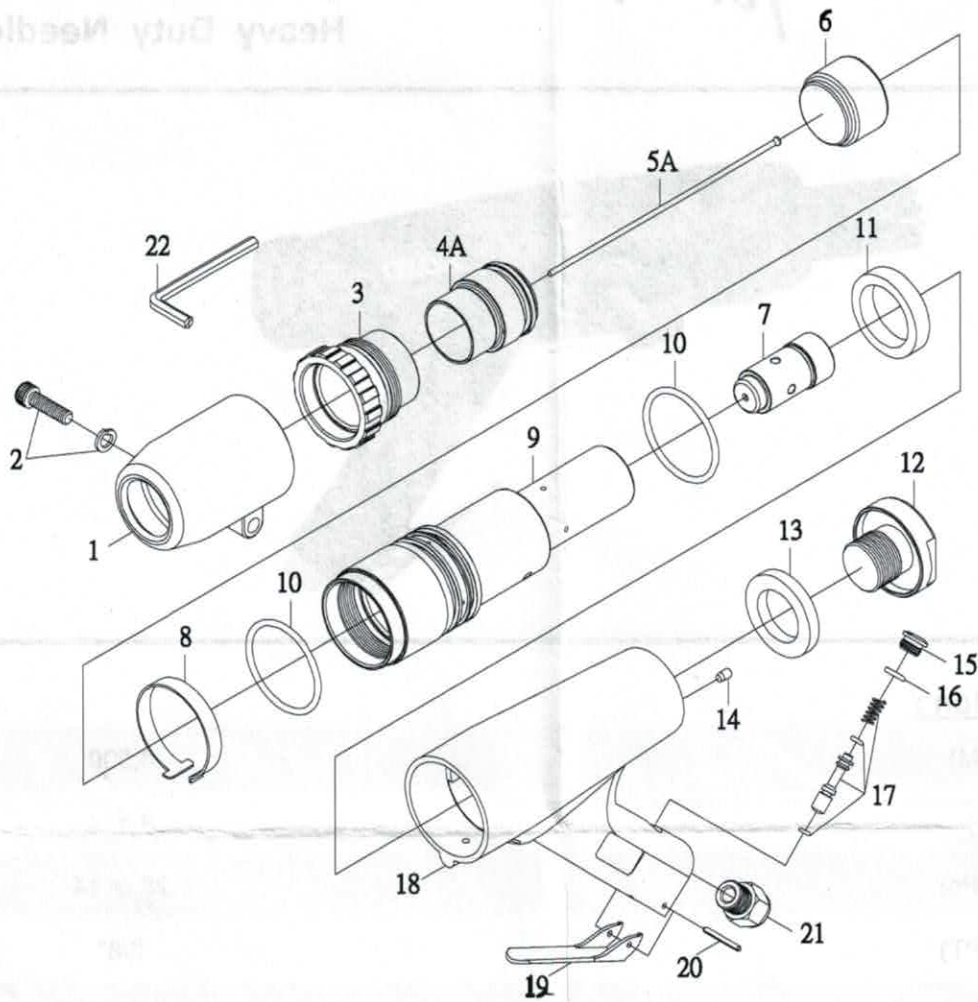
| | | |
|-----------------|-------------|------------|
| Blows Per Min | (BPM) | 4,500 |
| Needle Dia. | (mm) | 3 or 4 |
| Needle Per Tool | (Pc) | 28 or 14 |
| Air Inlet | (NPT) | 3/8" |
| Hose Size ID | Inch (mm) | 1/2 (13) |
| Air Consumption | CFM (L/Min) | 9 (255) |
| Overall Length | Inch (mm) | 14 (356) |
| Weight | Lbs (kg) | 7.75 (3.5) |


WARNING


For your own safety, please read the operating instruction carefully before use the air tool.

1. Please always keep the proper pressure of air inlet at 90psi (6.3kg/cm²) in order to protect your own safety and maintain the longest tool life.
2. Don't wear loose or baggy clothing when you operate the air tool.
Remove anything that may be caused injury. For example neckties, jewelry, etc.
Tie back long hair and wear eye protection.
3. It is the owner's responsibility to lubricate the air tool properly, but don't use any inflammable or volatile oils for lubricating, ie. Diesel oil, gasoline, or kerosene.
4. Make sure to use impact-quality sockets only, don't use hand-tool sockets. The crack of sockets will reduce the torque of air tool and may cause serious injury.
5. Don't depress trigger when connecting the air supply hose.
6. Protect the air lines from damage or puncture.
7. Never point an air tool at oneself or any other person. It could cause serious injury.
8. Keep all nuts, bolts and screws tight and ensure equipment is in safe working condition.

Exploded Drawing



| No. | Description | No. | Description |
|-----|---|-----|--|
| 1 | Round Needle Guide ASS'Y | 12 | Rear Bolt ASS'Y |
| 2 | Cap Head Screw (5/16"x1-1/4") Washer (5/16") | 13 | Rear PU Washer |
| 3 | Stop Ring | 14 | Cylinder Lock Pin (Dia. 5x8L) |
| 4A | Needle Supporter (3mm) | 15 | Valve Cap |
| 4B | Needle Supporter (4mm) | 16 | "O" Ring (Dia.7.8xW2.4) (P8) |
| 4C | Needle Supporter (2mm) | 17 | Throttle Valve Valve Spring "O" Ring (Dia.4.8xW1.9) (P5) "O" Ring (Dia.3.8xW1.9) (P4) |
| 5A | 3mm Needle Set (Dia.3x180L) | 18 | Housing |
| 5B | 4mm Needle Set (Dia.4x180L) | 19 | Throttle Lever |
| 5C | 2mm Needle Set (Dia.2x180L) | 20 | Spring Pin (Dia.3x28L) |
| 6 | Throttle Anvil | 21 | Reducer |
| 7 | Piston | 22 | Hex. Wrench (6mm) Nipple 3/8x3/8 |
| 8 | Safety Band | | |
| 9 | Cylinder | | |
| 10 | O-Ring (Dia.50.4xW3.53) | | |
| 11 | Front PU Washer | | |