

WACKER
NEUSON



**WACKER
NEUSON**

Operator's Manual/Parts Book

MIV Concrete Vibrators



**WACKER
NEUSON**

Foreword

For your own safety and protection from physical injury, carefully read, understand and observe the safety instruction in this manual.

Please operate and maintain your equipment in accordance with the instructions in this manual.

Defective machine parts are to be replaced as soon as possible. You will find the part you need, and the relevant part number in the Chapters entitled "Spare Parts" in this manual.

TABLE OF CONTENTS

| | PAGE |
|--|-------|
| Safety Instructions..... | 1 - 2 |
| Technical Data for MIV Concrete Vibrators..... | 3 |
| Spare Parts List for MIV Concrete Vibrators..... | 4 - 9 |

SAFETY INSTRUCTIONS

READ, UNDERSTAND AND FOLLOW THESE SAFETY GUIDELINES TO AVOID DAMAGE TO EQUIPMENT, OPERATOR INJURY OR DEATH.

1. Petrol and Diesel Fuels are flammable. Unsafe handling will cause injury and perhaps death.

- ◆ DO NOT Smoke while operating equipment.
- ◆ DO NOT Smoke when refuelling engine.
- ◆ DO NOT Refuel hot or running engine.
- ◆ DO NOT Refuel engine near open flame.
- ◆ DO NOT Spill fuel when refuelling engine.
- ◆ ALWAYS Refill fuel tank in well ventilated area.
- ◆ ALWAYS Replace fuel tank cap after refuelling.

2. Equipment operated improperly of by untrained personnel is dangerous. Damage to equipment, injury to operator and bystanders is possible.

- ◆ DO NOT Use equipment in applications for which it is not intended.
- ◆ DO NOT Allow improperly trained personnel to operate equipment.
- ◆ DO NOT Touch hot muffler, engine cylinders or cooling fins. Burns will result.
- ◆ DO NOT Operate laterally on grade greater than 25deg. On steep inclines and slopes drive unit may drift, causing unit to roll slowly.
- ◆ ALWAYS Read, understand and follow instruction book procedures before attempting to operate equipment.
- ◆ ALWAYS Be sure operator is familiar with proper safety precautions and operation techniques, before using the equipment.
- ◆ ALWAYS Wear protective clothing when operating equipment. Goggles or safety glasses will protect against eye damage caused by flying debris, for instance.
- ◆ ALWAYS Keep hands, feet and loose clothing away from moving parts of equipment.
- ◆ ALWAYS Check behind machine before backing up.
- ◆ ALWAYS Use common sense and caution when operating WACKER equipment.

SAFETY INSTRUCTIONS

3. Safety devices and guards are designed with the operator safety in mind. They are intended to protect operator from moving parts and other potential safety hazards. Do not try to defeat their purpose.

- ◆ DO NOT Attempt to clean or service equipment which is running.
- ◆ DO NOT Operate equipment with safety devices or guards removed.
- ◆ DO NOT Operate equipment without air cleaner.
- ◆ DO NOT Remove air cleaner or air cleaner cover while operating equipment.
- ◆ DO NOT Tamper with engine governor mechanism. Engine must not be run at speeds other than those specified in Technical Data section.
- ◆ ALWAYS Operator equipment with all safety devices and guards in place and in working order.

4. Safety does not stop when equipment operation is completed. Improperly stored equipment can be damaged or be a source of injury.

- ◆ DO NOT Leave a running machine unattended.
- ◆ ALWAYS Be sure equipment will not tip over, roll, slide or fall when not being operated.
- ◆ ALWAYS Turn engine or motor OFF when equipment is not being operated.
- ◆ ALWAYS Close fuel valve when equipment is not being operated.

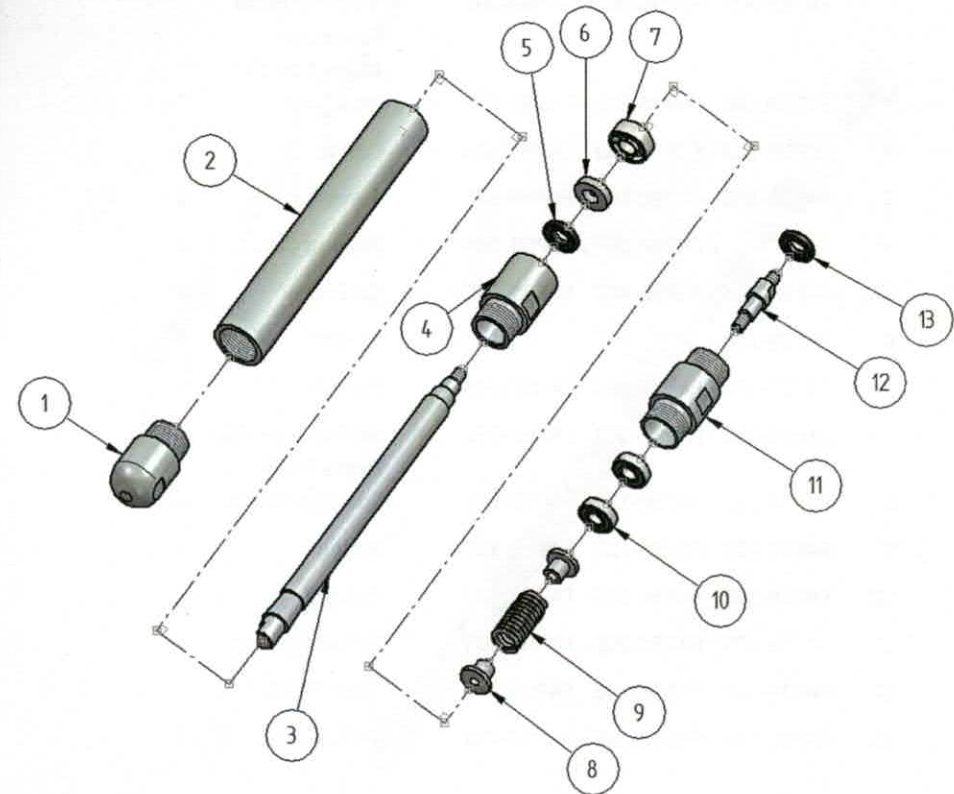
5. In order for equipment to operate properly for a long time, periodic maintenance and occasional repairs are necessary. If maintenance is not carried out or repairs are not made, equipment may act erratically and cause more damage and perhaps become a safety hazard.

- ◆ ALWAYS Replace safety devices and guards after repairs and maintenance.
- ◆ ALWAYS Keep area around muffler free of debris in order to reduce the chance of an accidental fire.
- ◆ ALWAYS Do periodic maintenance as recommended in instruction book.
- ◆ ALWAYS Clean debris from engine cooling fans.
- ◆ ALWAYS Replace worn or damaged components with spare parts designed and recommended for servicing of WACKER equipment.

TECHNICAL DATA FOR MIV CONCRETE VIBRATORS

| Technical Data | | | |
|--|------------|------------|------------|
| Model No. | MIV 28 | MIV 38 | MIV 60 |
| Part No. | 5000005114 | 5000006130 | 5000006905 |
| Head Dia. in mm: | 28 | 38 | 60 |
| Head Length in mm: | 470 | 492 | 503 |
| Vibrations per minute: | 12600 | 12300 | 12000 |
| Vibration Amplitude in mm: | 0.7 | 0.85 | 1.2 |
| Length of Flex in metres: | 6 | | |
| Weight in Kg: | 16 | 18 | 21 |
| Compaction Area Dia. in mm: | Ø280 | Ø380 | Ø600 |
| Compaction Rate / hr in m ³ : | ≥2.5 | ≥5 | ≥15 |

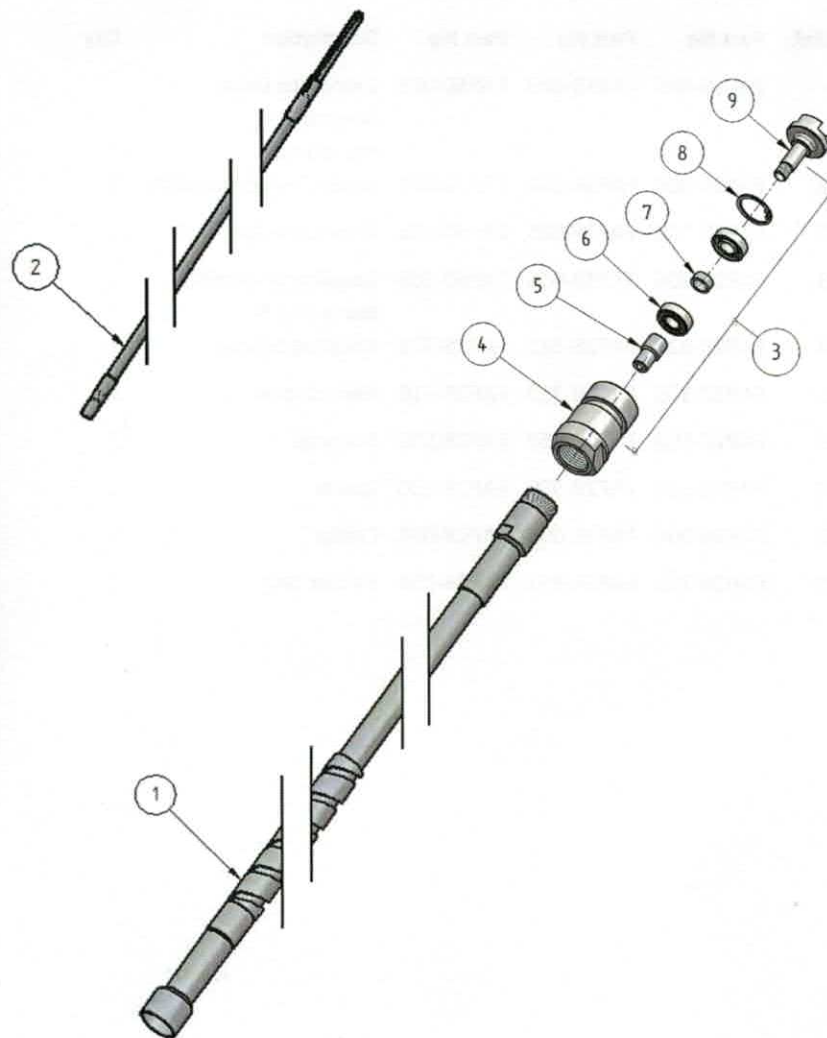
Spare Parts List – MIV28/38/60



Spare Parts List – MIV28/38/60

| Ref | MIV 28 Part No | MIV 38 Part No | MIV 60 Part No | Description | Qty |
|-----|-------------------|-------------------|-------------------|---|-----|
| - | FAP28-001 | FAP38-001 | FAP60-001 | Vibrator Head Complete Items 1 to 13 | |
| 1 | FAP28-101 | FAP38-101 | FAP60-101 | Nose Cap | 1 |
| 2 | FAP28-103 | FAP38-103 | FAP60-103 | Casing | 1 |
| 3 | FAP28-102 | FAP38-102 | FAP60-102 | Pendulum | 1 |
| 4 | -- | FAP38-104 | FAP60-104 | Bearing Case | 1 |
| 5 | FAP28-401 | FAP38-402 | FAP60-405 | Oil Seal | 1 |
| 6 | FAP28-104 | -- | -- | Spacer | 1 |
| 7 | FAP28-201 | FAP38-205 | FAP60-208 | Bearing | 1 |
| - | FAP28-002 | FAP38-002 | FAP60-002 | Spring Assembly Items 7 & 8 | |
| 8 | FAP28-111 | FAP38-111 | FAP60-111 | Spring Retainer | 2 |
| 9 | FAP28-112 | FAP38-112 | FAP60-112 | Spring | 1 |
| 10 | FAP28-508 | FAP38-506 | FAP60-507 | Bearing | 2 |
| 11 | FAP28-105 | FAP38-105 | FAP60-105 | Spring Housing | 1 |
| 12 | FAP28-106 | FAP38-106 | FAP60-106 | Trans Shaft | 1 |
| 13 | FAP28-110 | FAP38-110 | FAP60-110 | Oil Seal | 1 |

Spare Parts List – MIV28/38/60



Spare Parts List - MIV28/38/60

| | MIV 28 | MIV 38 | MIV 60 | | |
|-----|-----------|-----------|-----------|---|-----|
| Ref | Part No | Part No | Part No | Description | Qty |
| - | FAP28-003 | FAP38-003 | FAP60-003 | Complete Drive Assembly Items 1 to 9 | |
| 1 | FAP28-004 | FAP38-004 | FAP60-004 | Outer Casing Assembly | 1 |
| 2 | FAP28-005 | FAP38-005 | FAP60-005 | Inner Core Assembly | 1 |
| 3 | FAP28-006 | FAP38-006 | FAP60-006 | Coupling Assembly Items 4 to 9 | |
| 4 | FAP28-321 | FAP28-321 | FAP28-321 | Coupling Sleeve | 1 |
| 5 | FAP28-310 | FAP28-310 | FAP28-310 | Hex Adaptor | 1 |
| 6 | FAP28-550 | FAP28-550 | FAP28-550 | Bearings | 2 |
| 7 | FAP28-330 | FAP28-330 | FAP28-330 | Spacer | 1 |
| 8 | FAP28-004 | FAP28-004 | FAP28-004 | Circlip | 1 |
| 9 | FAP28-351 | FAP28-351 | FAP28-351 | 3 Point Dog | 1 |