

OPERATOR'S MANUAL

Zero-Turn Mower Pro Z 100 Steering Wheel

Record Product Information

Before setting up and operating your new equipment, please locate the model plate and record the information in the area provided to the right. The model plate contains the unit's model and serial numbers. This information will be necessary, should you seek technical support via our web site, Customer Support Department, or with a local authorized service dealer.

MODEL NUMBER

--	--	--	--	--	--	--	--	--	--	--	--

SERIAL NUMBER

--	--	--	--	--	--	--	--	--	--	--	--

Table of Contents

<i>Safe Operation Practices</i>	2	<i>Service and Maintenance</i>	16
<i>Assembly</i>	8	<i>Replacement Parts and Accessories</i>	26
<i>Operation</i>	10	<i>Warranty</i>	29

⚠ WARNING

Read and follow all safety rules and instructions in this manual before attempting to operate this machine. Failure to comply with these instructions may result in personal injury.

⚠ WARNING

California Proposition 65

Engine Exhaust, some of its constituents, and certain vehicle components contain or emit chemicals known to the State of California to cause cancer and birth defects or other reproductive harm.

Battery posts, terminals, and related accessories contain lead and lead compounds, chemicals known to the State of California to cause cancer and reproductive harm. Wash hands after handling. www.p65warnings.ca.gov

NOTE: This Operator's Manual covers several models. Features may vary by model. Not all features in this manual are applicable to all models and the model depicted may differ from yours.



SAFE OPERATION PRACTICES

WARNING

▲ This symbol points out important safety instructions which, if not followed, could endanger the personal safety and/or property of yourself and others. Read and follow all instructions in this manual before attempting to operate this machine. Failure to comply with these instructions may result in personal injury. When you see this symbol - HEED ITS WARNING!

DANGER

This machine was built to be operated according to the safe operation practices in this manual. As with any type of power equipment, carelessness, or error on the part of the operator can result in serious injury. This machine is capable of amputating hands and feet and throwing objects. Failure to observe the following safety instructions could result in serious injury or death.

Training

1. Read the Operator's Manual and other training material. If the operator(s) or mechanic(s) cannot read English it is the owner's responsibility to explain this material to them.
2. Become familiar with the safe operation of the machine, operator controls, and safety signs.
3. All operators and mechanics should be trained to operate or service the equipment. The owner is responsible for training them.
4. Never let children under the age of 16 or untrained people operate or service the equipment. Local regulations may further restrict the age of the operator.
5. The owner/operator can prevent and is responsible for accidents or injuries occurring to them, other people, or property.

General Operation

1. Read, understand, and follow all instructions on the machine and in the manual(s) before attempting to assemble and operate. Keep this manual in a safe place for future and regular reference by each operator and for ordering replacement parts.
2. Be familiar with all controls and their proper operation. Know how to stop the machine and disengage the controls quickly.
3. Do not allow anyone to operate or maintain this machine who has not read the manual. Never permit children under the age of 16 to operate this machine.
4. Do not remove any shields, guards, labels, or safety devices. If a shield, guard, label, or safety device is damaged or does not function, repair or replace it before operating the machine.
5. To help avoid blade contact or a thrown object injury, keep bystanders, helpers, children, and pets at least 75 feet (23 meters) from the machine while it is in operation. Stop machine if anyone enters the area.
6. Thoroughly inspect the area where the equipment is to be used. Remove all stones, sticks, wire, bones, toys, and other foreign objects that could be picked up and thrown by the blade(s). Thrown objects can cause serious personal injury.
7. Evaluate the terrain to determine what accessories and attachments are needed to properly and safely perform the job. Only use accessories and attachments approved by the machine manufacturer.
8. Plan your mowing pattern to avoid discharge of material toward roads, sidewalks, bystanders, and the like. Also, avoid discharging material against a wall or obstruction which may cause discharged material to ricochet back toward the operator.
9. Always wear appropriate clothing and personal protective equipment (e.g. safety glasses, long pants, gloves, hearing protection, safety shoes, hard hat) when operating or maintaining this machine. Long hair, loose fitting clothing, or jewelry may get entangled in moving parts. Follow all federal, state, and local guidelines regarding the use of personal protective equipment.
10. For extended use of this product, hearing protection is recommended.

11. Be aware of the mower and attachment discharge direction and do not point it at anyone. Do not operate the mower without the discharge cover or entire grass catcher in its proper place.
12. Do not put hands or feet near rotating parts or under the cutting deck. Contact with the blade(s) can amputate hands and feet.
13. A missing or damaged discharge cover can cause blade contact or thrown object injuries.
14. Stop the blade(s) when crossing gravel drives, walks, or roads and while not cutting grass.
15. Watch for traffic when operating near or crossing roadways. This machine is not intended for use on any public roadway.
16. Do not operate the machine while under the influence of alcohol or drugs.
17. Mow only in daylight or good artificial light.
18. Never carry passengers.
19. Back up slowly. Always look down and behind before and while backing to avoid a back-over accident.
20. Slow down before turning. Operate the machine smoothly. Avoid erratic operation and excessive speed. Be aware of your direction of travel to avoid accidents.
21. Disengage blade(s), set parking brake, stop engine, and wait until the blade(s) come to a complete stop before removing grass catcher, emptying grass, unclogging chute, removing any grass or debris, or making any adjustments.
22. Never leave a running machine unattended. Always stop on level ground, turn off blade(s), place drive speed control levers/pedals in neutral, set parking brake, stop engine, and remove key before leaving the operator position.
23. Use extra care when loading or unloading the machine on a trailer or truck. The machine should not be driven on unstable, unsecured, or inadequate ramps because the machine could tip over causing serious personal injury.
24. Check overhead clearances carefully before driving under low hanging tree branches, wires, door openings, etc., where the operator and/or ROPS may be struck which could result in serious injury and/or machine tip over.
25. Muffler and engine become hot and can cause a burn. Do not touch.
26. Disengage the blades, set the parking brake to the 'on' position and make sure the speed control levers/pedals are in the neutral position before attempting to start the engine. Only start the engine from the operator's position.
27. Do not attempt to mow unusually tall, dry grass (e.g., pasture) or piles of dry leaves. Dry grass or leaves may contact the engine exhaust and/or build up on the mower deck presenting a potential fire hazard.
28. Do not stop or park the machine over dry leaves, grass, debris, or other combustible material.
29. Never attempt to operate the machine without the mowing deck attached; the machine could tip over.
30. Keep the machine and especially the engine exhaust system and hydraulic components clean and free of grease, grass, and leaves to reduce the potential for overheating and fire.

SAFE OPERATION PRACTICES

31. Allow the machine to cool at least 5 minutes before storing.
 32. Use only accessories and attachments approved for this machine by the machine manufacturer. Read, understand, and follow all instructions provided with the approved accessory or attachment.
 33. Data indicates that operators, age 65 years and above, are involved in a large percentage of riding mower-related injuries. Operators should evaluate their ability to operate this machine safely enough to protect themselves and others from serious injury.
 34. Do not operate or start machine if there are fuel or oil leaks; repair immediately.
 35. When looking for oil leaks, never run your hand over hydraulic hoses, lines, or fittings. Never tighten or adjust hydraulic hoses, lines, or fittings while the system is under pressure. If high-pressure oil penetrates the skin seek immediate medical attention or gangrene and permanent damage may result. Do not check for hydraulic leaks with your hands, use paper or cardboard instead. Wear gloves and safety glasses when checking for leaks.
 36. Do not operate machines that have been damaged or have not been properly maintained. If the machine has been damaged, have it repaired.
 37. When operating this machine in the forward direction, do not allow the speed control levers/pedals to return to the neutral position on their own. Always operate them smoothly and avoid any sudden movements of the levers/pedals when starting or stopping.
 38. If situations occur which are not covered in this manual use care and good judgement. Contact your customer service representative for assistance.
3. Do not operate on slopes or near the edge of water such as a lake, pond, river, or stream where the machine could slip, tip, or roll-over into the water.
 4. Do not try to stabilize the machine by putting your foot on the ground.
 5. Use extra care while operating mower with grass catcher or other attachment(s). They can affect the stability of the mower. Do not use grass catcher on slopes greater than 10° (17%).
 6. Do not mow on wet grass. Reduced traction could cause sliding and/or loss of control.
 7. Do not tow heavy pull behind attachments (e.g. loaded dump cart, lawn roller, etc.) on slopes greater than 5° (9%). When going downhill, the extra weight tends to push the machine and may cause loss of traction and loss of control (e.g. machine may speed up, braking and steering ability are reduced, attachment may jack-knife and cause machine to overturn).

Children

1. Tragic accidents can occur if the operator is not alert to the presence of children. Children are often attracted to the machine and the mowing activity. They do not understand the dangers. Never assume that children will remain where you last saw them.
 - a. Keep children out of the mowing area and in watchful care of a responsible adult other than the operator.
 - b. Be alert and turn machine off if a child enters the area.
 - c. Always look behind and down for small children. Use slow speed.
 - d. Never carry children, even with the blade(s) shut off. They may fall off and be seriously injured or interfere with safe machine operation.
 - e. Use extreme care when approaching blind corners, doorways, shrubs, trees, or other objects that may block your vision of a child who may run into the path of the machine.
 - f. To avoid back-over accidents, always disengage blades before traveling in reverse.
 - g. Keep children away from hot or running engines. They can suffer burns from a hot muffler.
 - h. Remove key when machine is unattended to prevent unauthorized operation.
2. Never allow children under 16 years of age to operate this machine. Children 16 and over should read and understand the instructions and safe operation practices in this manual and on the machine and should be trained and supervised by an adult.

Slope Operation

Slopes are a major factor related to loss of control and tip-over accidents that can result in severe injury or death. All slopes require extra caution. If you cannot back up the slope or if you feel uneasy on it, do not mow it or drive on the slope.

For your safety, use the slope gauge included as part of this manual to measure slopes before operating this machine on a sloped or hilly area. If the slope is greater than 20° (35%) as shown on the slope gauge, do not operate this machine on that area or serious injury could result.

Do:

1. Mow across slopes, not up and down. Exercise extreme caution when changing direction on slopes.
2. Watch for holes, ruts, bumps, rocks, or other hidden objects. Uneven terrain could overturn the machine. Tall grass can hide obstacles.
3. Use slow speed. Choose a low enough speed so that you will not have to stop while on the slope. Avoid starting or stopping on a slope. If the tires are unable to maintain traction, disengage the blades and proceed slowly and carefully straight down the slope.
4. Keep all movements on the slopes slow and gradual. Do not make sudden changes in speed or direction. Rapid acceleration could cause the front of the machine to lift and rapidly flip over backwards, which could cause serious injury or death.
5. Follow the manufacturer's recommendations for wheel weights or counterweights to improve stability.
6. Use extra care with grass catchers or other attachments. These can change the stability of the machine.

Do Not:

1. Do not turn on slopes unless necessary; then turn slowly uphill and use extra care while turning.
2. Do not mow near drop-offs, ditches, or embankments. The machine could suddenly turn over if a wheel is over the edge of a cliff, ditch, or if an edge caves in.

Towing

1. Do not tow heavy tow-behind attachments (e.g. loaded dump cart, lawn roller, etc.) on slopes greater than 5° (9%).
2. Tow only with a machine that has a hitch designed for towing. Do not attach towed equipment except at the hitch point.
3. Follow the manufacturer's recommendation for weight limits for towed equipment and towing on slopes.
4. Never allow children or others in or on towed equipment.
5. On slopes, the weight of the towed equipment may cause loss of traction and loss of control.
6. Travel slowly and allow extra distance to stop.
7. Make wide turns to avoid jack-knifing.

SAFE OPERATION PRACTICES

Transporting Machines

1. This machine is not intended for use on public roads. Machines operated on public roads must comply with state and local ordinances, SAE J137, and ANSI/ASABE S279 (lighting and marking requirements).
2. Use care when loading or unloading machines onto trailers and trucks.
3. If ramps are used, they must be full width, stable, have an adequate capacity rating, and be secured to the trailer or truck. Ramp angle should not exceed 20° (35%) and trailer or truck should be parked on level terrain.
4. Machines must be secured onto trailers and trucks with straps, chains, cables, ropes, or other means deemed adequate for that purpose. The front and rear of the machines must be secured to the trailer or truck in both the lateral and vertical directions.

Operator Protective System (OPS)

1. This machine is equipped with an Operator Protective System (OPS), which includes:
 - a. A Roll Over Protective Structure (ROPS) of the fixed or folding configuration.
 - b. Seat belt assembly with retractable function.
2. ROPS are structures designed to provide a crush-resistant space for the operator when properly seat-belted within the designated seating area of the machine in the event of a machine tip-over or roll-over. Folding ROPS shall be used in their fully upright and locked configurations except in those circumstances whereby they need to be momentarily folded-down to avoid contact with items such as tree limbs, clothes lines, guy wires, utility poles, buildings, etc. At other times and conditions, ROPS shall be in their fully upright and locked configurations.

DANGER

Damaged ROPS must be replaced prior to operator use.

3. Seat belts shall be used and shall be properly fastened about the operator's waist at all times, except when the ROPS are:
 - a. Not properly installed and/or not properly secured onto the machine.
 - b. Damaged in such manner that their structural integrity has been compromised.
 - c. Not in their fully upright and locked position.
4. Seat belts are attached to the movable portion of the seat when suspension seats are utilized, and therefore the seat-mounting base must be secured to its pivot means and the pivot means latched to the frame of the machine. Seat belts are attached to the seat or the frame of the machine when non-suspension (standard) seats are provided, however, if a suspension kit is added to a seat, the seat belt must be attached to the movable portion of the seat or suspension mechanism, the seat-mounting base must be secured to its pivot means, and the pivot means be latched to the frame of the machine.

DANGER

If ROPS are folded down or missing, seat belts shall not be fastened. Worn or damaged seat belt assemblies must be replaced prior to operator use.

5. A brush guard or canopy may deflect tree limbs, clothes lines, and other obstacles that otherwise could come in contact with the ROPS. Contact of ROPS and/or canopies by items such as tree limbs, clothes lines, guy wires, and buildings, could create hazardous conditions whereby the machine could experience a tip-over or roll-over. A canopy may provide protection for the operator from some environmental exposure (sunlight, rain, etc.).
6. The ROPS and seat belt are integral parts of this machine and should not be tampered with, modified in any manner, or removed.

7. Inspect the ROPS and seat belt assemblies on a regular basis for damage and improper operation. Replace all components that are damaged or are not functioning properly with authorized replacement parts.
8. The ROPS extends above and behind the operator position, and therefore the operator must be aware of potential contact of the ROPS with items such as trees, buildings, doorways, clothes lines, utility wires, etc., that could cause the machine to tip-over or rollover. Use caution in (or avoid) areas where the ROPS could come in contact with any structures, trees, etc.
9. Inspect the ROPS and seat belt assemblies on a regular basis for damage and improper operation. Replace all components that are damaged or are not functioning properly with authorized replacement parts.
10. Failure to use the seat belt properly could result in serious injury or death if an accidental overturn occurs. In order for the ROPS to be effective, the seat belt must be securely fastened around the operator at all times when the operator is on the machine. Contact with the ROPS during an overturn could cause serious injury or death.
11. The ROPS will not prevent machine from tip-overs or roll-overs.
12. Do not assume ROPS will protect you in a tip-over or roll-over. Injuries may still occur.

Hydraulic Devices & Systems

Hydraulic fluid escaping under pressure may have sufficient force to penetrate skin and cause serious injury. If foreign fluid is injected into the skin or eyes, seek immediate medical attention or gangrene and permanent damage may result.

WARNING

Keep body and hands away from pinholes or nozzles that could inject hydraulic fluid under high pressure. Use paper or cardboard, not your hands, to search for leaks! Wear gloves and safety glasses.

Safely relieve all pressure in the system before performing any work on the system, and make sure that:

- The ignition switch is OFF.
- The key is removed.
- The engine spark plug wire(s) is removed.
- All connections to the negative terminal of the battery are removed.
- The park brake is set.
- All by-pass valves, if so equipped, are open.
- Hydraulic controls are actuated to release pressure on pumps, cylinders, etc. If "float" positions are available, they should be used.

After the above operations are completed, it should be safe to begin disconnecting the lines or components. It is still a good idea to cover the connection with a cloth shield and then gently loosen connections.

WARNING

Make sure all hydraulic fluid connections are tight and all hydraulic hoses and lines are in good condition before applying pressure to the system.

SAFE OPERATION PRACTICES

Service

Safe Handling of Fuel

To avoid personal injury or property damage use extreme care in handling fuel. Fuel is extremely flammable and the vapors are explosive. Serious personal injury can occur when fuel is spilled on yourself or your clothes which can ignite. Wash your skin and change your clothes immediately.

- Use only approved containers.
- Never fill containers inside a vehicle or a truck or trailer bed with a carpeted or plastic liner. Always place containers on the ground away from your vehicle before fueling.
- When practical, remove machine from the truck or trailer and refuel it on the ground. If this is not possible, then refuel equipment on a trailer with a portable container rather than from a fuel dispenser nozzle.
- Keep nozzle in contact with the rim of the fuel tank or container opening at all times until fueling is complete. Do not use a nozzle lock-open device.
- Extinguish all cigarettes, cigars, pipes, and other sources of ignition.
- Never fuel machine indoors or near ignition sources.
- Never remove fuel cap or add fuel while the engine is hot or running. Allow engine to cool at least 5 minutes before refueling.
- Never over fill fuel tank. Fill tank to no more than 1/2" below bottom of filler neck to allow space for expansion.
- If necessary, use a funnel to avoid spillage.
- Replace fuel cap and tighten securely.
- If fuel is spilled, wipe off the engine and equipment. Wait 5 minutes before starting the engine.
- To reduce fire hazards, keep machine free of grass, leaves, or other debris build-up. Clean up oil and fuel spillage and remove any fuel soaked debris.
- Never store the machine or fuel container inside where there is an open flame, spark, or pilot light as on a water heater, space heater, furnace, clothes dryer, or other gas appliance.

General Service

1. Never run an engine indoors or in a poorly ventilated area. Engine exhaust contains carbon monoxide, an odorless and deadly gas.
2. Before cleaning, repairing, or inspecting, make certain the blade(s) and all moving parts have stopped. Disconnect the spark plug wires and remove the key from the ignition to prevent unintended starting.
3. Periodically check to make sure the blades come to a complete stop within approximately 7 seconds after operating the blade disengagement control. If the blades do not stop within this time frame, your machine should be serviced.
4. Never tamper with the safety interlock system or other safety devices.
5. Regularly check the safety interlock system for proper function, as described later in this manual. If the safety interlock system does not function properly, have your machine serviced.
6. Check brake operation frequently as it is subjected to wear during normal operation. Adjust and service as required.
7. Check the blade(s) and engine mounting bolts at frequent intervals for proper tightness. Also, visually inspect blade(s) for damage (e.g., excessive wear, bent, cracked). Replace the blade(s) with the original equipment manufacturer's (O.E.M.) blade(s) only, listed in this manual. Use of parts which do not meet the original equipment specifications may lead to improper performance and compromise safety!
8. Mower blades are sharp. Wrap the blade or wear gloves, and use extra caution when servicing them.

9. Keep all nuts, bolts, and screws tight to be sure the equipment is in safe working condition.
10. After striking a foreign object (or if abnormal vibration occurs), stop the blades and engine and thoroughly inspect the machine for any damage. Make necessary repairs before resuming operation.
11. Never attempt to make adjustments or repairs to the machine while the engine is running.
12. Grass catcher components and the discharge cover are subject to wear and damage which could expose moving parts or allow objects to be thrown. For safety protection, frequently check components and replace immediately with original equipment manufacturer's (O.E.M.) parts only, listed in this manual. Use of parts which do not meet the original equipment specifications may lead to improper performance and compromise safety!
13. Do not change the engine governor settings or over-speed the engine. The governor controls the maximum safe operating speed of the engine.
14. Maintain or replace safety and instruction labels, as necessary.
15. Observe proper disposal laws and regulations for gas, oil, etc. to protect the environment.

Do Not Modify Engine

To avoid serious injury or death, do not modify engine in any way. Tampering with the governor setting can lead to a runaway engine and cause it to operate at unsafe speeds. Never tamper with factory setting of engine governor.

Notice Regarding Emissions

This machine is equipped with an engine that is certified to federal EPA emission standards for non-road engines and equipment, and where applicable to California Air Resources Board (CARB) emission standards. The engine owner's manual is supplied by the engine manufacturer, and provides additional information relating to the emission system, warranty, and maintenance of the engine in accordance with EPA and/or CARB regulations. Making any unauthorized alterations or modifications to the engine, fuel, or venting systems may violate EPA and CARB regulations.

When required, models are equipped with low permeation fuel lines and fuel tanks for evaporative emission control. California models may also include a carbon canister. Please contact Customer Support for information regarding the evaporative emission control configuration for your model.

This machine is designed to run on regular, unleaded gasoline, 87 octane or higher. Never use gasoline containing methanol or gasoline containing more than 10% ethanol (i.e., E15 or E85 fuels) because the fuel system may be damaged.

Spark Arrestor

WARNING

This machine is equipped with an internal combustion engine and should not be used on or near any unimproved forest-covered, brush-covered, or grass-covered land unless the engine's exhaust system is equipped with a spark arrestor meeting applicable local or state laws (if any).













If a spark arrestor is used, it should be maintained in effective working order by the operator. In the State of California the above is required by law (Section 4442 of the California Public Resources Code). Other states may have similar laws. Federal laws apply on federal lands.

A spark arrestor for the muffler is available through your nearest engine authorized service dealer or contact the service department, P.O. Box 361131, Cleveland, Ohio 44136-0019.

SAFE OPERATION PRACTICES

Safety Symbols

This page depicts and describes safety symbols that may appear on this product. Read, understand, and follow all instructions on the machine before attempting to assemble and operate.

Symbol	Description
	READ THE OPERATOR'S MANUAL(S) Read, understand, and follow all instructions in the manual(s) before attempting to assemble and operate.
	WARNING — ROTATING PARTS Do not put hands or feet near rotating parts or under the cutting deck. Contact with the blade(s) can amputate hands and feet.
	WARNING — THROWN OBJECTS This machine may pick up and throw objects which can cause serious personal injury.
	WARNING — BYSTANDERS Keep bystanders, helpers, children, and pets at least 75 feet (23 meters) from the machine while it is in operation.
	WARNING — BACK-OVER To avoid back-over accidents, always disengage blades before traveling in reverse.
 MAX 20° (35%)	WARNING — SLOPE OPERATION Do not operate this machine on a slope greater than 20° (35%).
	DANGER — ROTATING BLADES To reduce the risk of injury, keep hands and feet away. Do not operate unless discharge cover or grass catcher is in its proper place. If damaged, replace immediately.
	DANGER — SAFETY DEVICES Keep safety devices (guards, shields, switches, etc.) in place and working.
	WARNING — AVOID SERIOUS INJURY OR DEATH FROM ROLL OVER Keep roll bar in the raised upright position with your seat belt fastened. Lower roll bar and do not fasten seat belt in low clearance situations. Raise roll bar and fasten seat belt as soon as clearance permits. Do not drill, weld, or alter the roll bar in any way. Altering the roll bar could lead to serious injury or death.
	WARNING — REMOVE KEY BEFORE SERVICING Before working on the machine, remove the key! Keep fingers and feet away from the blades! Always switch off the machine and remove the key before adjusting, cleaning, or checking it.
 MAX. 22 KG MAX. 113 KG	WARNING — AVOID TOWING RELATED INJURY Do not tow a load that exceeds 250 lbs (113 kg) rolling weight and never exceed 50 lbs (22 kg) tongue weight. Never allow children or others in or on towed equipment. Do not tow on slopes greater than 5° (9%). On slopes, the weight of the towed equipment may cause loss of traction, loss of control, and/or loss of the ability to stop. Travel slowly and allow extra distance to stop.
	WARNING - AVOID FIRES Your mower is designed to cut normal residential grass of a height no more than 10" (25 cm). Do not attempt to mow through unusually tall, dry grass (e.g., pasture) or piles of dry leaves. Allow mower to cool at least 5 minutes before fueling or storing inside an enclosed garage or storage shed.

WARNING

Your Responsibility — Restrict the use of this power machine to persons who read, understand, and follow the warnings and instructions in this manual and on the machine.

SAVE THESE INSTRUCTIONS!

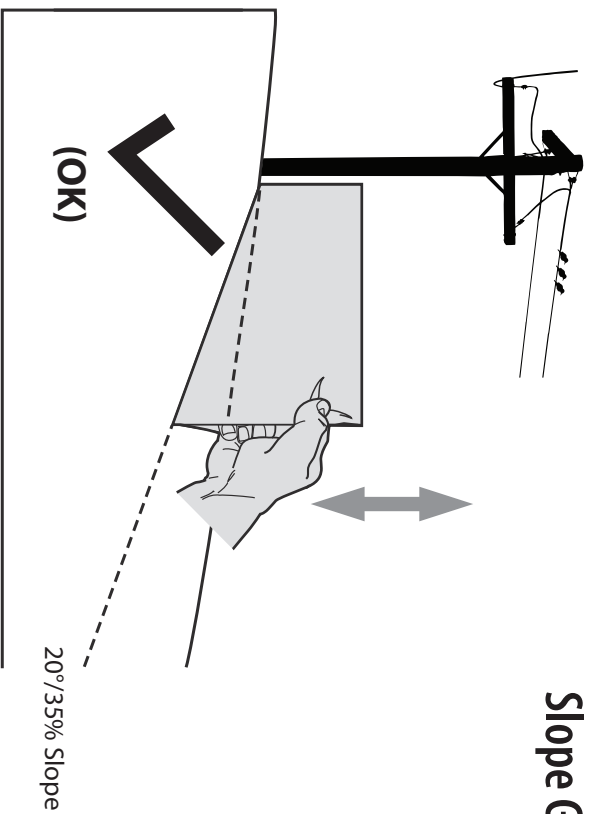


Figure 1

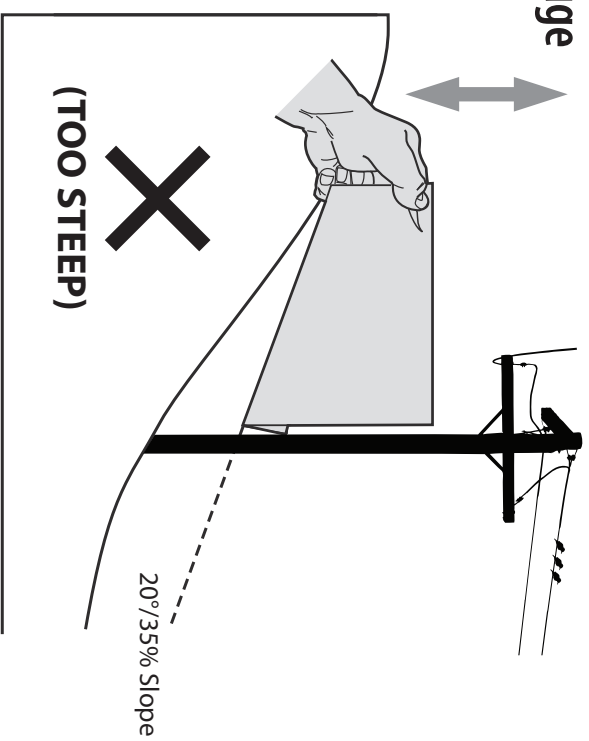
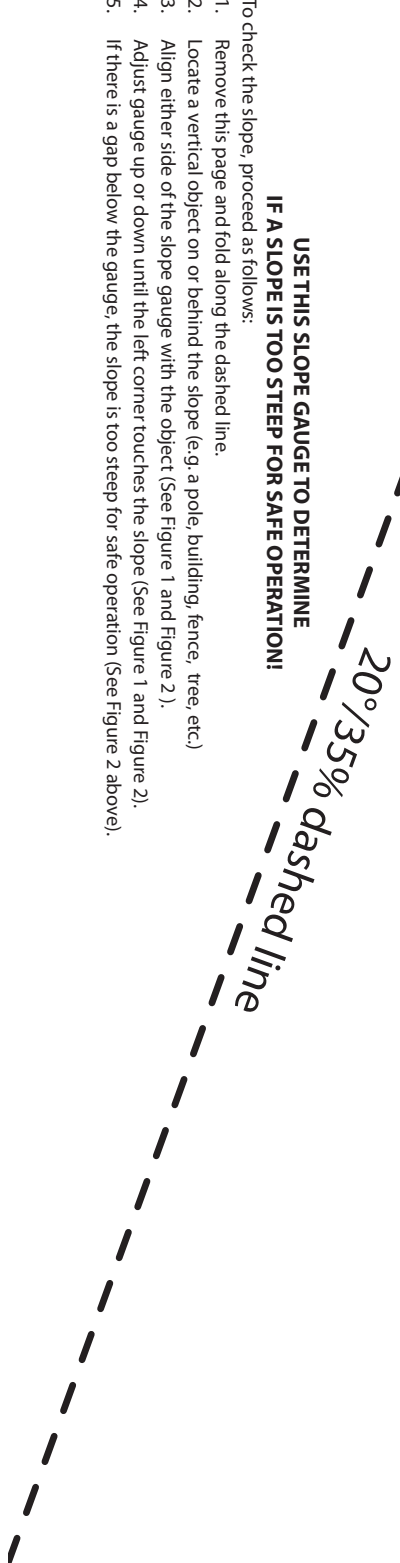


Figure 2

**USE THIS SLOPE GAUGE TO DETERMINE
IF A SLOPE IS TOO STEEP FOR SAFE OPERATION!**

- To check the slope, proceed as follows:
1. Remove this page and fold along the dashed line.
 2. Locate a vertical object on or behind the slope (e.g. a pole, building, fence, tree, etc.)
 3. Align either side of the slope gauge with the object (See Figure 1 and Figure 2).
 4. Adjust gauge up or down until the left corner touches the slope (See Figure 1 and Figure 2).
 5. If there is a gap below the gauge, the slope is too steep for safe operation (See Figure 2 above).



Use this page as a guide to determine slopes where you may not operate safely.

⚠ WARNING

Do not operate your tractor on such slopes. Do not mow on inclines with a slope in excess of 20°/35%. A mower could overturn and cause serious injury. Mow across slopes, not up and down.

ASSEMBLY

Thank You

Thank you for purchasing this product. It was carefully engineered to provide excellent performance when properly operated and maintained.

Please read this entire manual prior to operating the equipment. It instructs you how to safely and easily set up, operate and maintain your machine. Please be sure that you, and any other persons who will operate the machine, carefully follow the recommended safety practices at all times. Failure to do so could result in personal injury or property damage.

All information in this manual is relative to the most recent product information available at the time. Review this manual frequently to familiarize yourself with the machine, its features and operation. Please be aware that this Operator's Manual may cover a range of product specifications for various models. Characteristics and features discussed and/or illustrated in this manual may not be applicable to all models. We reserve the right to change product specifications, designs and equipment without notice and without incurring obligation.

If applicable, the power testing information used to establish the power rating of the engine equipped on this machine can be found at www.opei.org or the engine manufacturer's web site.

If you have any problems or questions concerning the machine, phone your local authorized service dealer or contact us directly. We want to ensure your complete satisfaction at all times.

Throughout this manual, all references to right and left side of the machine are observed from the operating position.

Contents of Carton

- Mower (1)
- Steering Wheel Assembly (1)
- Operator's Manual (1)
- Engine Operator's Manual (1)

NOTE: This Operator's Manual covers several models. Mower features may vary by model. Not all features in this manual are applicable to all mower models and the mower depicted may differ from yours.

NOTE: All references in this manual to the left or right side and front or back of the mower are from the operating position only. Exceptions, if any, will be specified.

Mower Preparation

Lubrication & Grease Point

Before operating the mower, refer to the Service and Maintenance section of this manual to check the Lubrication & Grease Points. Grease and lubricate if necessary.

Manually Moving the Mower

1. Engage the transmission bypass rods, one on each side of the mower, to move the mower manually without starting it. The transmission bypass rods are located on the rear of the mower, just inside each rear wheel. Disengage the park brake and engage the bypass rods by pulling each one back (a) and hooking it into the slot (b) to lock it into place. See Figure 1.

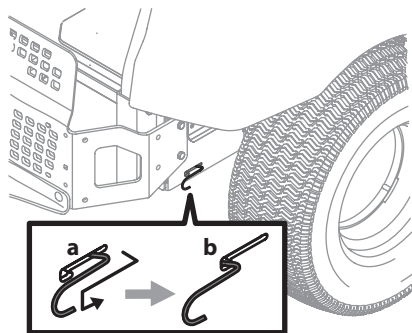


Figure 1

2. Disengage the bypass rods by reversing Steps a & b after moving the mower. See Figure 1.

Steering Wheel Column (If necessary)

The steering wheel column is tilted all the way back for shipping purposes. To tilt the column forward, rotate the steering column adjustment lever (a) counter-clockwise, place the column in the desired position and then rotate the steering column adjustment lever (a) clockwise to secure the column in place. See Figure 2.

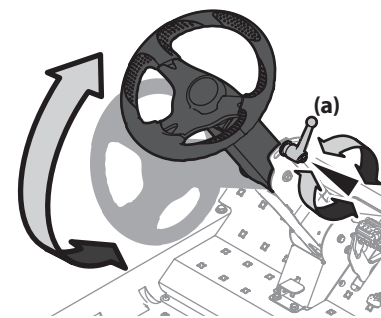


Figure 2

NOTE: Be sure that the steering column adjustment lever is tight to prevent the column from moving when operating the machine.

Steering Wheel (If necessary)

1. Remove the hardware for attaching the steering wheel (b) from beneath the steering wheel cap (a). Carefully remove the cover (a) by inserting a small flat screwdriver into one of the three snap locations, while slowly prying up on the steering wheel cap to remove the hardware.. See Figure 3.

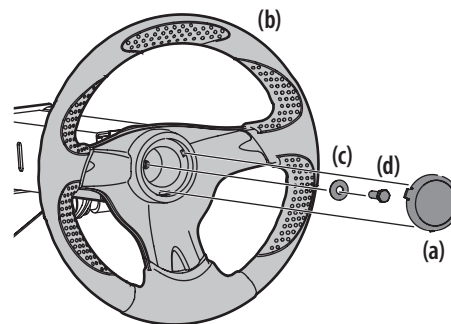


Figure 3

2. With the wheels of the machine pointing straight forward, place the steering wheel (b) over the steering shaft. See Figure 3.
3. Place the Belleville washer (c) with the cupped side facing inward over the steering wheel (b) and secure with the hex lock screw (d). See Figure 3.
4. Place the steering wheel cover (a) over the center of the steering wheel (b) and push downward until it "clicks" into place. See Figure 3.

Positioning the Roll Over Protective System (ROPS) (If necessary)

The ROPS is shipped folded down for shipping purposes. To place the ROPS into the operation position proceed as follows.

1. Remove the left and right clevis pins and cotter pins securing the ROPS in position and rotate it so that they allow the ROPS to move freely. See Figure 4.
2. Rotate ROPS forward and re-insert the clevis pins and cotter pins to secure the ROPS in the operating position.

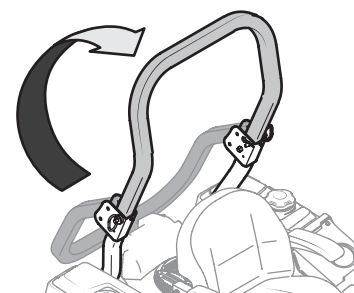


Figure 4

ASSEMBLY

Adjusting the Seat

This mower is equipped with an adjustable seat, which includes a retractable seat belt assembly and an Operator Presence Sensor (OPS). The OPS, in the form of a switch, is integrated into the seat bottom and is connected to the machine electrical system.

The seat can be adjusted forward and back and the arm rest can be adjusted up and down.

To move the seat forward or back, locate the seat adjustment rod under the seat. Push the rod to the left, slide the seat forward or back into the desired position and release the rod when the seat is in the desired position. See Figure 5.

To adjust the arm rest, lift the arm rest, rotate the block adjustment into one of the four positions (0-3, 0 being the lowest and 3 being the highest) and lower the arm rest. See Figure 6.

The mechanical suspension mechanism (if equipped) incorporates weight/ride adjustment controls for operators in the 125 to 275 lb weight range (turn the knob on the front of the seat clockwise to increase the weight capacity and counter-clockwise to decrease. See Figure 7.

NOTE: The seat base must be secured by the latch, otherwise the seat assembly could tilt forward. The OPS must be connected to the electrical wiring harness.

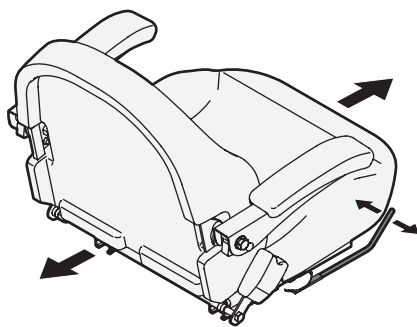


Figure 5

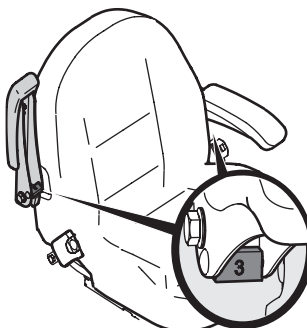


Figure 6



Figure 7

Connecting the Battery Cables

⚠ WARNING

California **PROPOSITION 65:** Battery posts, terminals, and related accessories contain lead and lead compounds, chemicals known to the State of California to cause cancer and reproductive harm. Wash hands after handling.

⚠ CAUTION

When attaching battery cables, always connect the **POSITIVE (Red)** wire to its terminal first, followed by the **NEGATIVE (Black)** wire.

For shipping reasons, both battery cables on your equipment may have been left disconnected from the terminals at the factory. To connect the battery cables, proceed as follows:

NOTE: The positive battery terminal is marked POS. (+). The negative battery terminal is marked NEG. (-).

NOTE: If the positive battery cable is already attached, skip ahead to Step 2.

1. Remove the plastic cover, if present, from the positive battery terminal and attach the red cable to the positive battery terminal (+) with the bolt (a) and hex nut (b). See Figure 8.
2. Remove the plastic cover, if present, from the negative battery terminal and attach the black cable to the negative battery terminal (-) with the bolt (a) and hex nut (b). See Figure 8.
3. Position the red rubber boot (c) over the positive battery terminal to help protect it from corrosion. See Figure 8.

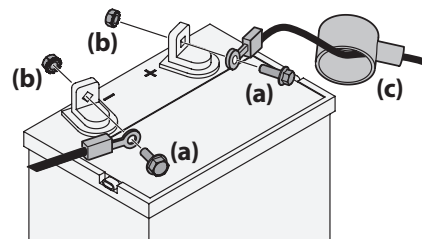


Figure 8

NOTE: If the battery is put into service after the date shown on top/side of battery, charge the battery prior to operating the machine.

Transmission Oil Expansion Reservoir (If equipped)

The transmission oil expansion reservoir is connected by hoses to the RH and LH transmission assemblies, and is located behind the seat box. The function of the reservoir is to hold the natural expansion of transmission oil that occurs as the transmission warms up during operation. **DO NOT FILL THE RESERVOIR.**

Under normal operating conditions, no oil should be added to the reservoir. The COLD oil level should be no higher than approximately 1/4" (the "Full Cold" mark) above the bottom of the reservoir. See Figure 9.

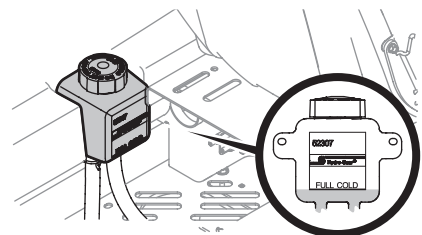


Figure 9

NOTE: Prior to the initial operation of the mower, the oil level in the reservoir may be slightly higher than the maximum due to air in the oil lines. Operation of the mower will eventually purge the air from the lines and the oil level will settle to the maximum.

Install the Rear Hitch Bracket (If necessary)

1. Remove the hex flange screws (a) and flange lock nuts (b) that secure the hitch bracket (c) to the bumper bracket. See Figure 10.
2. Install the hitch bracket (c) as shown in Figure 11 and secure with the hex flange screws (a) and flange lock nuts (b) removed in Step 1.

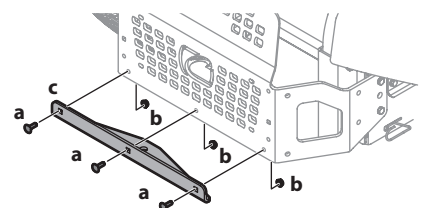


Figure 10

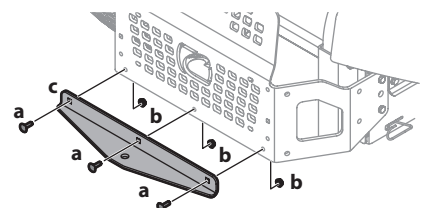


Figure 11

OPERATION

NOTE: This Operator's Manual covers several models. Mower features may vary by model. Not all features in this manual are applicable to all mower models and the mower depicted may differ from yours.

NOTE: All references in this manual to the left or right side and front or back of the mower are from the operating position only. Exceptions, if any, will be specified.

Steering Column Adjustment Lever

The steering column adjustment lever is located on the right side of the steering column. To adjust the angle of the steering column rotate the lever counter-clockwise, move the steering column to the desired position and then rotate the lever clockwise to lock it into position.

NOTE: Be sure that the steering column adjustment lever is tight to prevent the column from moving when operating the mower.

NOTE: The handle is spring loaded so that it can be moved out of the way after tightening. Pull the handle out and rotate it to the desired position.

Forward Drive Pedal

The forward drive pedal is located on the right side of the machine, along the running board. Press the forward drive pedal forward to cause the mower to travel forward. Ground speed is also controlled with the forward drive pedal. The further forward the pedal is pivoted, the faster the mower will travel. The pedal will return to its original/neutral position when not pressed.



Reverse Drive Pedal

The reverse drive pedal is located on the right side of the mower along the running board. Ground speed is also controlled with the reverse drive pedal. The further downward the pedal is pivoted, the faster the mower will travel. The pedal will return to its original/neutral position when not pressed.



Brake Pedal

The brake pedal is located on the left front side of the running board. The brake pedal can be used for sudden stops or setting the park brake.

NOTE: The brake pedal must be fully depressed to activate the safety interlock switch when starting the rider.

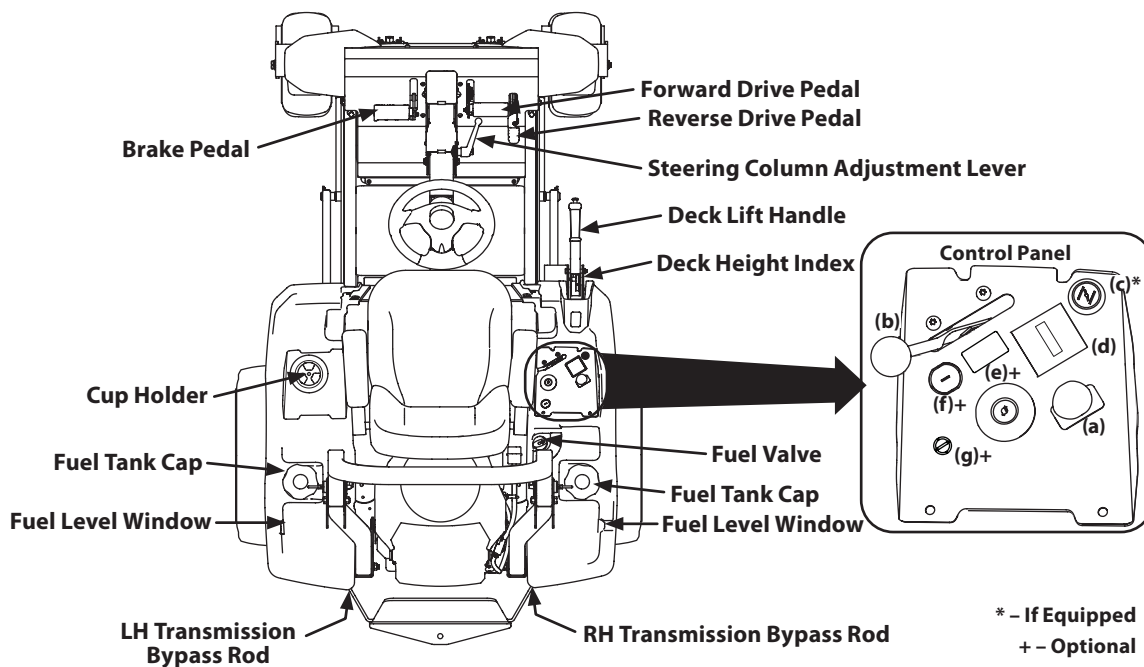
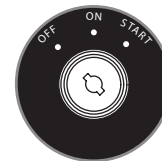


Figure 12

Ignition Switch

The ignition switch is located on the RH console to the rear of the throttle control. The ignition switch has three positions as follows:



OFF — The engine and electrical system are turned off.

ON — The mower electrical system is energized.

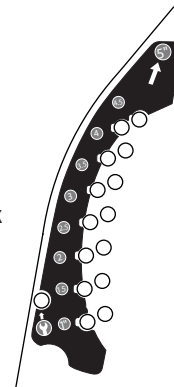
START — The starter motor will turn over the engine. Release the key immediately when the engine starts.

NOTE: To prevent accidental starting and/or battery discharge, remove the key from the ignition switch when the mower is not in use.

Deck Height Index

The deck height index consists of several holes located on the front of the RH console. Each hole corresponds to a 1/4" change in the deck height position ranging from 1" at the lowest notch to 5" at the highest notch. The highest notch is also the transport position and the lowest position is the deck removal/installation position.

NOTE: Do not cut grass in the deck removal/installation position. Doing so is detrimental to the belt life.



Deck Lift Handle

The deck lift handle is located on the front of the RH console, and is used to raise and lower the mower deck.

Depress the button on the end of the handle and push downward to lower the deck, or pull upward to raise the deck. When the desired height is attained, secure the pin in the desired index hole and release the button on the handle.

OPERATION

NOTE: Make certain the deck is secured and the pin is fully inserted into the deck height index. The pin is keyed to help keep it in place and fits into the slotted holes on the deck height index.

NOTE: The deck lift handle must always be above the pin, never hang the deck lift handle from the pin when mowing.

Transmission Bypass Rods

⚠ WARNING

Do not tow the mower, even with the bypass valves engaged. Serious transmission damage will result from doing so.

The transmission bypass rods (one for each RH and LH transmission) are located on the rear of the mower, just inside each rear wheel.



When engaged and the park brake disengaged, the two rods open a bypass within the hydrostatic transmissions, which allows the mower to be pushed short distances by hand. Refer to the Assembly section for instructions on using the bypass feature.



Cup Holder

The cup holder is located to the left of the operator's seat on the LH console.

Seat Adjustment Lever (Not shown)

The seat adjustment lever is located below the front/right of the seat. The lever allows for adjustment forward or backward of the operator's seat. Refer to the Assembly section for instructions on adjusting the seat position.

Fuel Tank Caps

The fuel tank caps are located near the middle of the RH and LH console. Turn the fill cap to remove. The fuel cap is tethered to the mower to prevent its loss. Do not attempt to remove the cap from the mower. Fill tank to the bottom of the filler neck, allowing some space in the tank for fuel expansion. Do not overfill the tank.

Turn clockwise until it clicks to tighten. Always re-install the fuel cap tightly onto the fuel tank after removing.

⚠ WARNING

Never fill the fuel tank when the engine is running. If the engine is hot from recently running, allow to cool for several minutes before refueling. Highly flammable gasoline could splash onto the engine and cause a fire.

Fuel Level Windows

The fuel level windows are located on the outside of the LH and RH consoles and show the level of fuel in the gas tank.

Fuel Valve

The fuel valve is located on the inner side of the RH console. The valve switches the fuel flow from the right and left tank and also can shut off fuel flow to the engine. Rotate the valve to the rear to open the flow from the right fuel tank . Rotate the valve to the front to open the flow from the left tank . To shut off fuel from both tanks rotate the valve towards the right of the mower and the OFF position.



NOTE: If both tanks are on, and one is empty, the engine will not start. Be certain to make sure both tanks have fuel or that the empty tank's fuel valve is closed.

Transmission Oil Expansion Reservoir (If equipped)

The transmission oil expansion reservoir is connected by hoses to the RH and LH transmission assemblies, and is located behind the seat box. The function of the reservoir is to hold the natural expansion of transmission oil that occurs as the transmission warms up during operation. See the Service and Maintenance section for more information on the transmission oil expansion reservoir.

NOTE: Prior to the initial operation of the mower, the oil level in the reservoir (if equipped) may be slightly higher than the maximum due to air in the oil lines. Operation of the mower will eventually purge the air from the lines and the oil level will settle to the maximum.

Park Brake/Cruise Control Lock Pedal

The park brake/cruise control lock pedal is located at the base of the steering column. It is used to engage the park brake when the mower is at rest. Engaging the lever while the mower is in motion allows the mower to remain at a constant ground speed without applying pressure to the forward drive pedal. Refer to the Operation section of this manual for detailed instructions regarding the park brake as well as the cruise control feature.

NOTE: Cruise control CANNOT be engaged at the mower's fastest ground speed. If the operator should attempt to do so, the mower will automatically decelerate to the fastest optimal mowing ground speed.

NOTE: The park brake must be set if the operator leaves the seat with the engine running or the engine will automatically shut off.

Control Panel

Power Take-Off (PTO) Switch (a)

The PTO (Power Take-Off) switch is located on the RH console to the left of the hour meter/indicator panel.

The PTO switch operates the electric PTO clutch mounted on the bottom of the engine crankshaft and engages the mower blades. Pull the switch knob upward to engage the PTO clutch, or push the knob downward to disengage the clutch.

The PTO switch must be in the "disengaged" position when starting the engine.

Throttle Control (b)

The throttle control is located on the RH console. When set in a given position, a uniform engine speed will be maintained.

Push the throttle control handle forward to increase the engine speed. The mower is designed to operate with the throttle control in the fast position (full throttle) when the mower is being driven and the mower deck is engaged.

Pull the throttle control handle rearward to decrease the engine speed.

CRUISE CONTROL



PARK BRAKE



PTO



OFF ON



OPERATION


Choke Control (If equipped) (c)

The choke control is located on the RH console. The choke control determines the position of the engine choke. Pull the knob out to choke the engine; push the knob in to open the choke.



LCD Service Minder & Hour Meter (d)

When the ignition key is rotated out of the OFF position but not into the START position, the LCD Service Minder and Hour Meter will briefly display the battery voltage, followed by the mower's accumulated hours.

NOTE: When the ignition key is out of the STOP position the hourglass  symbol is illuminated/blinks to indicate it is recording the hours of mower operation, regardless of whether the engine is started.

The LCD Service Minder will remind the operator of maintenance intervals for changing the engine oil, air filter service, low engine and low battery warnings.

Change Oil

The LCD will display the letters "CHG", followed by the letters "OIL", followed by the letters "SOON", then finally followed by the meter's accumulated time. "CHG/OIL/SOON/TIME" will alternate on the display for 7 minutes after the meter reaches 50 hours. This oil service minder interval will occur every 50 hours. Before the interval expires, change the engine oil as instructed in the Service and Maintenance section of this Operator's Manual.

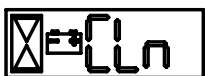
Low Battery

At startup, the battery voltage is briefly displayed then changes to accumulated hours. The letters "LO" will display followed by the letters "BATT" and then followed by the meter's accumulated time. "LO/BATT/TIME" is displayed on the LCD when the voltage drops below 11.5 volts. When this occurs, the battery is in need of a charge or the engine's charging system is not generating sufficient amperage. Charge the battery as instructed in the Service and Maintenance section of this manual or have the charging system checked by your local service dealer.



Air Filter Service

The letters "CLN" will display, followed by the letters "AIR", followed by "FILT", then followed by the meter's accumulated time. "CLN/AIR/FILT/TIME" will alternate on the display for 7 minutes after the meter reaches 25 hours. This air filter service minder time interval will be every 25 hours. On intervals that are common with oil service, the oil message will be displayed first followed by the air filter message.



Light Switch Receptacle (e)

Optional light switch available. See Replacement Parts & Accessories.

12V Outlet Receptacle (f)

Optional 12V outlet receptacle available. See Replacement Parts & Accessories.

Power Assist Bagger Receptacle (g)

Optional power assist bagger receptacle available. See Replacement Parts & Accessories.

General Safety

- RECEIVE INSTRUCTION — Entirely read this operator's manual. Learn to operate this machine SAFELY. Do not risk INJURY or DEATH. Allow only those who have become competent in its usage to operate this mower.

- Before starting the engine or beginning operation, be familiar with the controls. The operator should be in the operator's seat. The PTO switch must be in the disengaged position and the park brake engaged.
- Keep all shields in place. Keep away from moving parts.
- NO RIDERS! Keep all people and pets a safe distance away. Look behind and down to both sides of the mower before and while backing up.
- DO NOT direct the mower discharge at people. Never walk or stand on the discharge side of the mower when the engine is running. Turn off the PTO if another person approaches while you are operating the mower.
- Avoid slopes where possible. Never operate on slopes greater than 20° (35%). Slopes with a greater incline present dangerous operating conditions. Mowers can be rolled over.
- Before leaving the operator's seat shut off the PTO and engage the park brake, shut off the engine and remove the ignition key. Wait for all movement to stop before servicing or cleaning.
- Avoid any sudden movements of the steering wheel when starting and stopping. Keep a firm grip on the steering wheel.
- Be careful when operating near roadways. Stop the mower motion and wait for vehicles to pass before operating along the road.
- Do not operate the mower with the mower deck removed. Removal of the deck will change the balance of the mower, and could contribute to a mower rollover.
- Avoid operation on traction surfaces that are unstable; use extreme caution if the surface is slippery.
- Slow down before turning and come to a complete stop before any zero turn maneuver.
- Do not stop the mower or park the mower over combustible materials such as dry grass, leaves, debris, etc.
- Do not fill the fuel tank when the engine is running or while the engine is hot. Allow the engine several minutes to cool before refueling. Tighten the fuel cap securely.

Safety Interlock System

WARNING

Do not operate the mower if the interlock system is malfunctioning. This system was designed for your safety and protection.

This machine is equipped with a safety interlock system for the protection of the operator. If the interlock system should ever malfunction, do not operate the machine. Contact your authorized service dealer.

- The safety interlock system prevents the engine from cranking or starting unless the park brake is engaged, and the PTO knob is in the disengaged (OFF) position.
- The engine will automatically shut off if the operator leaves the seat before engaging the park brake.

NOTE: The PTO knob must be in the disengaged position to restart the engine.

OPERATION

Before Operating Your Mower

1. Before you operate the mower, study this manual carefully to familiarize yourself with the operation of all the instruments and controls. It has been prepared to help you operate and maintain your mower efficiently.
2. Fill the fuel tank with only clean, fresh, unleaded gasoline with a pump sticker octane rating of 87 or higher and 10% ethanol maximum. When the fuel reaches one inch from the top of the tank, stop. DO NOT OVERFILL. Space must be left for expansion.
3. Unleaded gasoline is recommended because it leaves less combustion chamber deposits and reduces harmful exhaust emissions. Leaded gasoline is not recommended and must not be used where exhaust emissions are regulated.

NOTE: Purchase gasoline in small quantities. Do not use gasoline left over from the previous season, to minimize gum deposits in the fuel system.

4. Gasohol (up to 10% ethyl alcohol, 90% unleaded gasoline by volume) is an approved fuel. Other gasoline/alcohol blends are not approved.
5. Methyl Tertiary Butyl Ether (MTBE) and unleaded gasoline blends (up to a maximum of 15% MTBE by volume) are approved fuels. Other gasoline/ether blends are not approved.
6. Check the engine oil level. Refer to the Engine Operator's Manual for instructions on checking the engine oil level.
7. Clean the air cleaner element if necessary.
8. Check the tire inflation pressures. See the tire side wall for proper inflation pressures.

NOTE: New tires are overinflated in order to properly seat the bead to the rim.

9. Check that all nuts, bolts and screws are tight.
10. Check the tension of the deck drive belts.
 - a. Remove the deck cover.
 - b. The tension of the deck drive belts are maintained by a spring mechanism that adjusts for wear and stretch.
 - c. Examine the belts for cuts, fraying and excessive wear. Replace if any of these are detected.
 - d. Replace the deck cover.
11. Check if deck is level. When correctly adjusted the mower deck should be level side to side, and the front of the deck should be approximately 1/4" lower than the rear of deck. If deck needs to be leveled, refer to the Service and Maintenance section.
12. Lubricate all pivot points listed in the Service and Maintenance section.
13. Adjust the seat for operator's maximum comfort, visibility and for maintaining complete control of the mower.

Starting the Engine

WARNING



This machine is equipped with a safety interlock system designed for protection of the operator. Do not operate the machine if any part of the interlock system is malfunctioning. Periodically check the functions of the interlock system for proper operation.

WARNING

For personal safety, the operator must be sitting in the mower seat when starting the engine.

1. Open the fuel valve and select one of the two tanks.

NOTE: If both tanks are on, and one is empty, the engine will not start. Be certain to make sure both tanks have fuel or that the empty tank's fuel valve is closed.
2. Operator must be sitting in the mower seat with both drive control pedals in the neutral/start position.
3. Engage the park brake.
4. Make certain the PTO is in the disengaged (down) position.
5. Move the throttle control to the START position and the choke control (if equipped) into the CHOKE position.

NOTE: If the engine is warmed up, it may not be necessary to choke the engine.
6. Turn the ignition key clockwise to the START  position and release it as soon as the engine starts; however, do not crank the engine continuously for more than 10 seconds at a time. If the engine does not start within this time, turn the key to OFF and wait at least 30 seconds to allow the engine's starter motor to cool. Try again after waiting. If after a few attempts the engine fails to start, do not keep trying to start it with the choke closed as this will cause flooding and make starting more difficult.
7. Once the engine warms up, move the throttle to the FAST  position and push the choke knob (if equipped) down into the "OFF" position.

Cold Weather Starting

When starting the engine at temperatures near or below freezing, ensure the correct viscosity motor oil is used in the engine and the battery is fully charged. Start the engine as follows:

1. Be sure the battery is in good condition. A warm battery has much more starting capacity than a cold battery.
2. Use fresh winter grade fuel. Winter grade gasoline has higher volatility to improve starting. Do not use gasoline left over from summer.
3. Follow the previous instruction for Starting the Engine.

Using Jumper Cables to Start Engine

WARNING

Batteries contain sulfuric acid and produce explosive gases. Make certain the area is well ventilated, wear gloves and eye protection, and avoid sparks or flames near the battery.


If the battery charge is not sufficient to crank the engine, recharge the battery. If a battery charger is unavailable and the mower must be started, the aid of a booster battery will be necessary. Connect the booster battery as follows:

1. Connect the end of one cable to the disabled mower battery's positive terminal; then connect the other end of that cable to the booster battery's positive terminal.
2. Connect one end of the other cable to the booster battery's negative terminal; then connect the other end of that cable to the frame of the disabled mower, as far from the battery as possible.

OPERATION

3. Start the disabled mower following the normal starting instructions previously provided; then disconnect the jumper cables in the exact reverse order of their connection.
4. Have the mower's electrical system checked and repaired as soon as possible to eliminate the need for jump starting.

Stopping the Engine

1. Place the PTO switch in the disengaged position.
2. Engage the park brake.
3. Move the throttle to the SLOW  position and allow the engine to idle for about one minute.
4. Turn the ignition key to the OFF position and remove the key from the ignition switch.

NOTE: Always remove the key from the ignition switch to prevent accidental starting or battery discharge if the equipment is left unattended.

5. Close the fuel shut-off valve(s).


Driving the Mower

WARNING

Hearing protection is required for all operator exposure exceeding two (2) hours.

WARNING

Avoid sudden starts, excessive speed, and sudden stops.

1. Release the park brake. Move the throttle control lever into the FAST  position.
2. To travel FORWARD, slowly press the forward drive pedal (a) forward until the desired speed is achieved. See Figure 13.
3. To stop or slow down the mower, take your foot off of the forward (a) or reverse drive pedal (b). To lock the park brake, press forward on the brake pedal (c), press down on the park brake/cruise control lever (d) and then release the brake pedal (c). See Figure 13.
4. To use the cruise control (see Figure 13):
 - a. Press down on the forward drive pedal (a).
 - b. While maintaining the desired speed press down on the park brake/cruise control lever (d) then release the forward drive pedal (a) to activate the cruise control.
5. To release the cruise control, press the brake (c) or the forward drive pedal (a). See Figure 13.

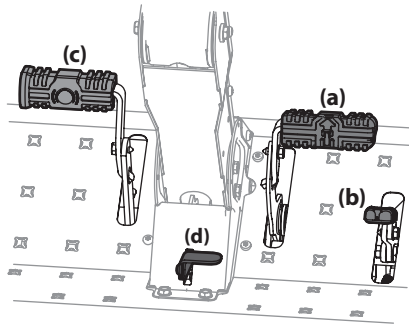


Figure 13

NOTE: The forward drive pedal (a) and reverse drive pedal (b) must not be used when the brake is partially engaged. See Figure 13. When the brake is locked the drive belt is disengaged but if the brake is only part way back then the brakes are engaged, but so is the drive belt, so transmission damage will occur if you push forward or reverse.

6. To travel in reverse, check that the area behind is clear then slowly push down on the reverse drive pedal (b) with the ball of your foot (NOT your heel) until the desired speed is achieved. See Figure 13.

CAUTION

Do NOT attempt to change the direction of travel when the mower is in motion. Always bring the mower to a complete stop before moving the mower from forward to reverse or vice versa.

WARNING

Do not leave the seat of the mower without first placing the PTO knob in the disengaged (OFF) position and engaging the park brake. If leaving the mower unattended, also turn the engine off and remove the ignition key.

Driving on Slopes

Refer to the Slope Gauge to help determine slopes where you may operate the mower safely.

WARNING


Do not operate on inclines with a slope in excess of 20° (35%). The machine could overturn and cause serious injury.

- Mow across slopes, not up and down.
- Exercise extreme caution when changing direction on slopes.
- Watch for holes, ruts, bumps, rocks or other hidden objects. Uneven terrain could overturn the machine. Tall grass can hide obstacles.
- Do not turn on slopes unless necessary; then turn slowly uphill and use extra care while turning. Turning up a slope greatly increases the chance of a rollover.
- Avoid stopping when driving up a slope. If it is necessary to stop while driving up a slope, start up smoothly and carefully to reduce the possibility of flipping the mower over backward.

Operating the PTO

Operate the PTO clutch as follows:

NOTE: During your unit's initial break-in period, in order to engage the PTO and avoid engine stall, allow the engine to warm before engaging the PTO. Break-in period varies depending on your engine.

1. Move the throttle control lever to the FAST  position.
2. Pull the PTO switch upward to the ENGAGED position.
3. The operator must remain in the mower seat at all times. If the operator should leave the seat without disengaging the PTO, the mower's engine will shut off.


OPERATION

Using the Mower Deck

WARNING

Make certain the area to be mowed is free of debris, sticks, stones, wire, or other objects that can be thrown by the rotating blades.

NOTE: Do not engage the mower deck when lowered in grass. Premature wear and possible failure of the “V” belt and PTO clutch will result. Fully raise the deck or move to a non-grassy area before engaging the mower deck.

1. Mow across slopes, not up and down. If mowing a slope, start at bottom and work upward to ensure turns are made uphill.
2. On the first pass pick a point on the opposite side of the area to be mowed.
3. Move the throttle control to the FAST  position and engage the PTO.
4. Lower the mower deck to the desired height setting using the deck lift handle.
5. Slowly push the forward drive pedal forward to move the mower forward, and keep the mower headed directly toward the alignment point.

NOTE: The speed of the mower will affect the quality of the mower cut. Mowing at full speed will adversely affect the cut quality. Control the ground speed with the drive pedals.

6. When approaching the other end of the strip, slow down or stop before turning. A U-turn is recommended unless a pivot or zero turn is required.
7. Align the mower with an edge of the mowed strip and overlap approximately 3”.
8. Direct the mower on each subsequent strip to align with a previously cut strip.
9. To prevent rutting or grooving of the turf, if possible, change the direction that the strips are mowed by approximately 45° for the next and each subsequent mowing.

WARNING

Be careful when crossing gravel paths or driveways. Disengage the PTO knob and raise the deck to the highest/transport position before crossing.

NOTE: When stopping the mower for any reason while on a grass surface, always:

- Make sure the drive pedals are in neutral.
- Engage the park brake.
- Shut engine off and remove the key.
- Doing so will minimize the possibility of having your lawn “browned” by hot exhaust from your mower’s running engine.

Deck Lift Lever

To change the height of the deck proceed as follows:

1. Depress the button at the end of the deck lift lever (a), raise it into the transport/highest mowing position, hang the top hook from the upper spacer on the deck height index bracket (b) and then remove the pin (c). See Figure 14.

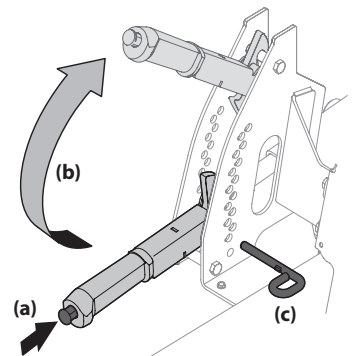


Figure 14

2. Insert the pin into the desired deck height best suited for your application (d). Turn the pin to lock it into place (e). See Figure 15.

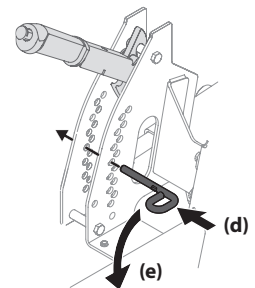


Figure 15

3. Depress the button at the end of the handle lift lever (f), raise it slightly to unhook it from the upper spacer on the deck height index bracket and carefully lower into the desired position (g). See Figure 16.

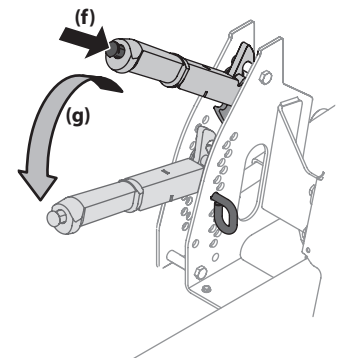


Figure 16

NOTE: Make certain the deck is secured and the pin is fully inserted into the deck height index. The pin is keyed to help keep it in place and fits into the slotted holes on the deck height index.

NOTE: The deck lift handle must always be above the pin, never hang the deck lift handle from the pin when mowing.

SERVICE AND MAINTENANCE

Maintenance Schedule

	Before Each Use	Every 10 Hours	Every 25 Hours	Prior to Storing
Check Gasoline Level	✓			
Check Hydraulic Hoses for Leaks	✓			
Check Tires & Tire Pressure	✓			
Check Deck, Mower & Hydro Drive Belts	✓			
Check Blades & Blade Bolt Tightness	✓			
Check Safety Switches for Proper Operation	✓			
Check Fluid Level in Transmission Oil Expansion Reservoir (If equipped)	✓			
Check/Clean Engine Intake Screens & Cooling Fans *	✓			✓
Check/Clean Exhaust Manifold, Muffler Pipe & Muffler Shields *	✓			✓
Check/Clean Top & Underside of Deck, Under & Around Spindle Covers & Belt Area *	✓			✓
Check/Clean Around Fuses, Wiring & Wiring Harnesses *	✓			✓
Check/Clean Around Transmission, Axle & Fans *	✓			✓
Lube Pivot Points & Linkage				✓

* — Perform more frequently under dusty conditions.

NOTE: This Operator's Manual covers several models. Mower features may vary by model. Not all features in this manual are applicable to all mower models and the mower depicted may differ from yours.

Maintenance

WARNING

Before performing any maintenance or repairs, disengage the PTO, move the drive pedals to the neutral position engaging the park brake, stop the engine, and remove the key to prevent unintended starting.

Post-Operation Mower Care

After each operation of the mower, the following procedures should be implemented to extend the life of your mower and ensure safe operating conditions.

DANGER

Failure to follow these recommendations may result in serious injury to yourself or others and may cause damage to the mower.

Cleaning the Underside of the Deck

Rinse grass clippings from the deck's underside and prevent the buildup of corrosive chemicals.

WARNING

Make certain the mower's discharge chute is directed AWAY from people, your house, garage, parked cars, etc.

1. Disengage the PTO, set the park brake and stop the engine.
2. Use a hose to spray the underside of the deck.

NOTE: Make sure that the hose is not routed under the deck and is clear of all moving parts.

SERVICE AND MAINTENANCE

- After cleaning your deck, return to the operator's position and engage the PTO. Keep the deck running for a minimum of two minutes, allowing the underside of the deck to thoroughly dry.

Cleaning the Mower

! WARNING

If the mower has been recently run, the engine, muffler, and surrounding metal surfaces will be hot and can cause burns to the skin. Let the engine cool for at least 5 minutes. Exercise caution to avoid burns.

Your mower should be cleaned after each use and under certain conditions, i.e. dry conditions and/or mulching situations, additional cleaning may be necessary.

One of the best ways to keep your mower running efficiently and to reduce fire risk is to regularly remove debris buildup from the mower. Follow the recommendations below and contact your authorized dealer with any questions.

- Allow the machine to cool in an open area before cleaning.
- Do not use water on any part of the mower except the underside of the cutting deck. Doing so can cause damage to the mower's spindle bearings, electrical system and engine, leading to premature failures. The use of compressed air and/or leaf blower will help keep the mower clean.
- Clean around the exhaust manifold, fuses, all wiring and harnesses, muffler pipe, muffler shield, engine intake screens and cooling fins, etc. See Figure 17.
- Clean the top of the mower deck, under the spindle covers and belt area. See Figure 18.
- Clean around and near the transmission, axle and the fan area. See Figure 19.

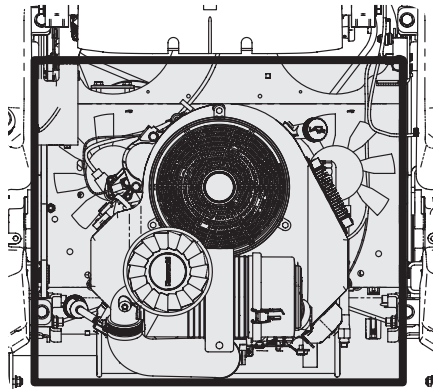


Figure 17

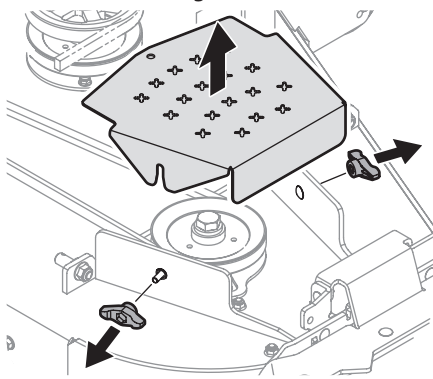


Figure 18

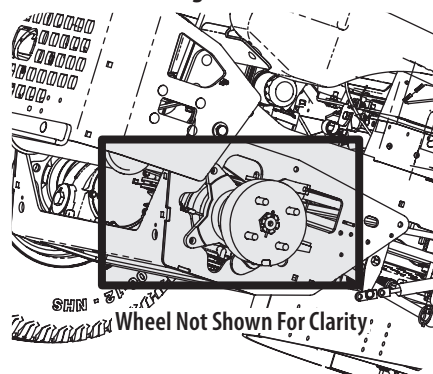


Figure 19

- Debris can accumulate anywhere on the mower, especially on horizontal surfaces. Additional cleaning may be necessary when mowing in dry conditions or when mulching.
- Fuel leaks/spills, oil leaks/spills and excess lubrication can also become collection sites for debris. Immediate repair and cleaning up oil or fuel spills can help reduce fire hazards.
- In addition to cleaning the mower before operating and storing, do not attempt to mow unusually tall grass (10" or higher), dry grass (e.g., pasture) or piles of dry leaves. Dry grass or leaves may contact the engine exhaust and/or build up on the mower deck presenting a potential fire hazard.

Storing the Mower

- Allow the machine to cool in an open area before storing.
- Do not park the mower near any flammable materials (wood, cloth or chemicals) or any open flames or other potential source of ignition (furnace, water heater or any other type of heater).
- Remove all combustible materials from the mower before storing. Empty cargo boxes, grass catchers or containers.
- Always shut off fuel flow when storing or transporting if mower is equipped with a fuel shutoff.
- Check the fuel system (lines, tank, cap and fittings) frequently for cracks or leaks. Repair and clean as necessary.

Engine

Refer to the Engine Operator's Manual for all engine maintenance intervals, procedures, specifications and instructions.

Changing the Engine Oil & Oil Filter

! WARNING

If the engine has been recently run, the engine, muffler, and surrounding metal surfaces will be hot and can cause burns to the skin. Exercise caution to avoid burns.

Maintain oil level as instructed in Engine Operator's Manual. Be careful not to spill oil on any of the belts.

To complete an oil change, proceed as follows:

- Run the engine for a short time to warm the engine oil. The oil will flow more freely and carry away more impurities. Use care to avoid burns from hot oil.
- Locate the oil drain hose on the engine. See Figure 20.
- Remove the hose from the clip securing it to the frame.
- Route the free end of the oil drain hose toward an appropriate oil collection container with at least a 2.5 quart capacity, to collect the used oil.

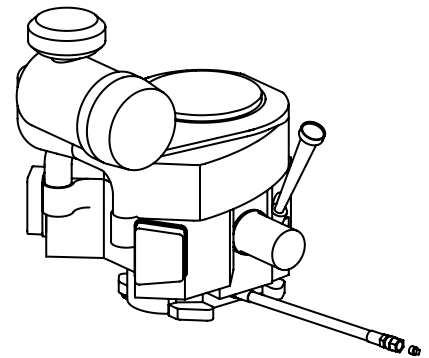


Figure 20

NOTE: Avoid getting oil on the muffler when draining.

SERVICE AND MAINTENANCE

5. While holding the free end of the oil drain hose over the oil collection container, unscrew the square-head hose plug from the end of the hose. See Figure 20 on page 17. Drain the engine oil into the collection container.
6. After draining the oil, wipe any residual oil from the oil drain hose. Thread the square head plug into the drain hose fitting and fully tighten the plug.
7. Locate the oil filter on the oil filter adapter bracket inside the RH console. See Figure 21.
8. Place a cloth under the front side of the oil filter to catch any residual oil and rotate the oil filter counter-clockwise to remove.
9. Using your finger, place a thin coating of oil on the O-ring and then install the new oil filter on the oil filter adapter bracket by rotating it clockwise until secure.
10. Refill the engine with new oil. Refer to the Engine Operator's Manual for information regarding the volume and weight of engine oil.
11. Run the engine to fill the oil filter. Turn off the engine and check the oil level. Fill to the FULL line if necessary.
12. Place the hose back into the clip securing it to the frame.

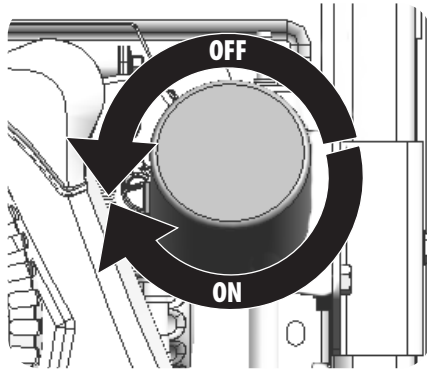


Figure 21

Lubrication

⚠ WARNING

Before lubricating, repairing, or inspecting, always disengage PTO, set park brake, stop engine, and remove key to prevent unintended starting.

Pivot Points & Linkage

Lubricate all the pivot points on the drive system, park brake and lift linkage at least once a season with light oil.

Wheels

Each of the deck wheel axles is equipped with grease fittings. Lubricate with a No. 2 multi-purpose grease applied with a grease gun after every 25 hours of mower operation. See Figure 22.

Cleaning the Spindle Pulleys

Once a month remove the belt covers to remove any accumulation of grass clippings from around the spindle pulleys and V-belt. Clean more often when mowing tall, dry grass. Remove the wing knobs to remove the belt covers. See Figure 18 on page 17.

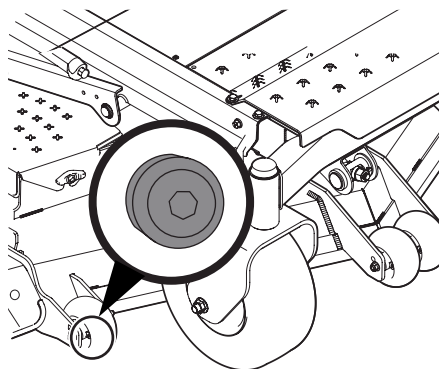


Figure 22

Tires

Check the tire air pressure after every 50 hours of operation or weekly. Keep the tires inflated to the recommended pressures. Improper inflation will shorten the tire service life and produce an uneven cut. See the tire side wall for proper inflation pressures. Observe the following guidelines:

- Do not inflate a tire above the maximum pressure shown on the sidewall of the tire.
- Do not reinflate a tire that has been run flat or seriously under-inflated. Have it inspected and serviced by a qualified tire mechanic.

Battery Information

⚠ WARNING

Should battery acid accidentally splatter into the eyes or onto the skin, rinse the affected area immediately with clean cold water. If there is any further discomfort, seek prompt medical attention.

If acid spills on clothing, first dilute it with clean water, then neutralize with a solution of ammonia/water or baking soda/water.

NEVER connect (or disconnect) battery charger clips to the battery while the charger is turned on, as it can cause sparks.

Keep all sources of ignition (cigarettes, matches, lighters) away from the battery. The gas generated during charging can be combustible.

As a further precaution, only charge the battery in a well ventilated area.

Always shield eyes and protect skin and clothing when working near batteries.

Batteries contain sulfuric acid and may emit explosive gases. Use extreme caution when handling batteries. Keep batteries out of the reach of children.

The battery may present a risk of fire or chemical burn if misused. Do NOT open, disassemble, overheat, or incinerate the battery.

Battery Maintenance

- Some batteries are filled with battery acid and then sealed at the factory. However, even a "maintenance free" battery requires some maintenance to ensure its proper life cycle.
- Spray the terminals and exposed wire with a battery terminal sealer, or coat the terminals with a thin coat of grease or petroleum jelly, to protect against corrosion.
- Always keep the battery cables and terminals clean and free of corrosion.
- Some models are equipped with a battery containing a liquid electrolyte. Handle the battery with care and avoid tipping to prevent leakage.

⚠ WARNING

Batteries contain sulfuric acid and may emit explosive gases. Use extreme caution when handling batteries. Keep batteries out of the reach of children.

Battery Storage

1. When storing the mower for extended periods, disconnect the negative battery cable. It is not necessary to remove the battery.
2. All batteries discharge during storage. Keep the exterior of the battery clean, especially the top. A dirty battery will discharge more rapidly.

SERVICE AND MAINTENANCE

- The battery must be stored with a full charge. A discharged battery can freeze sooner than a charged battery. A fully charged battery will store longer in cold temperatures than hot.
- Recharge the battery before returning to service. Although the mower may start, the engine charging system may not fully recharge the battery.

Removing the Battery

- Slide the seat all the way forward.
- Remove the hex cap screw and sems nut securing the black negative battery lead to the negative battery post (marked NEG (-)). Move the cable away from the negative battery post.
- Remove the hex cap screw and sems nut securing the red positive battery lead to the positive battery post (marked POS (+)).
- Remove the hex washer screw securing the battery hold-down bracket to the frame. Then flip the battery hold-down bracket up to free the battery. See Figure 23.
- Carefully lift the battery out of the mower.

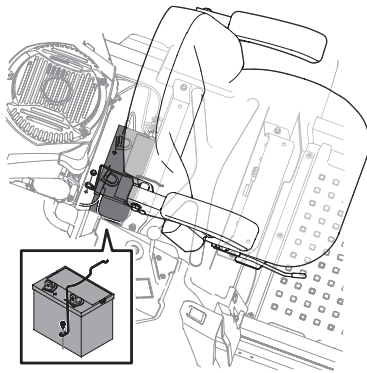


Figure 23

- Install the battery by repeating the above steps in the reverse order.

NOTE: On some models it may be necessary to slide the battery left or right to remove it.

Using the Transmission Bypass Rods

If for any reason the mower will not drive or you wish to move the mower, the two hydrostatic transmissions are equipped with a bypass rod that will allow you to manually move the mower short distances.

! WARNING

Do not tow the mower, even with the bypass rod engaged. Serious transmission damage will result from doing so.

- From the rear of the mower, just inside the two rear tires, locate the transmission bypass rods. Refer to Figure 24.
- Engage the transmission bypass rods, one on each side of the mower, to move the mower manually without starting it. Engage the bypass rods by pulling each one back (a) and hooking it into the slot (b) to lock it into place. See Figure 24.

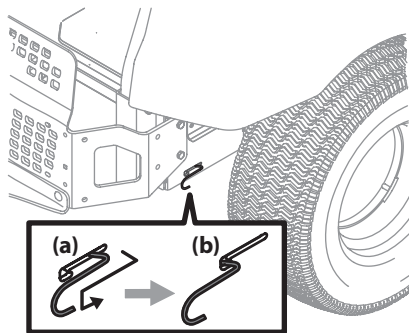


Figure 24

NOTE: The mower will not drive with the bypass rods in the engaged position.

- Disengage the bypass rods by reversing Steps (a) and (b) after moving the mower. See Figure 24.

Hydrostatic Transmission

Your zero-turn mower is equipped with dual integrated hydrostatic pumps/transaxles that are sealed and are maintenance-free. However, some models are equipped with a transmission oil expansion reservoir. Under normal operating conditions, the oil level in the expansion reservoir (if equipped) does not need to be checked and no additional oil is needed. If checking the reservoir oil level, proceed as follows:

! WARNING

Check the oil level **ONLY** before starting the mower when the transmission oil is fully cooled.

- Clean the reservoir cap and the area around the cap to prevent debris from contaminating the transmission oil. See Figure 25.
- Turn the reservoir cap counter-clockwise to remove, then check the oil level in the reservoir. Oil should be visible at the bottom of the cup, but the oil level must **NOT** be above the "FULL COLD" line. See Figure 25. **DO NOT FILL THE RESERVOIR.**
- If necessary to add oil because of some type of leakage, use a quality 20W50 motor oil and add only enough oil to bring the level to the "FULL COLD" line. Reinstall the cap and fully tighten.

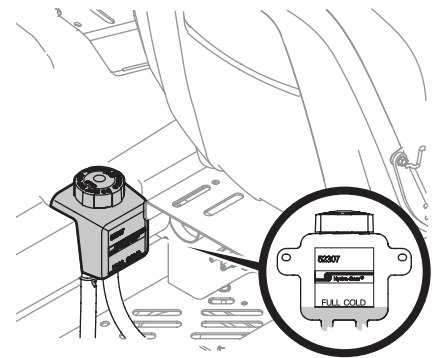


Figure 25

NOTE: Prior to the initial operation of the mower, the oil level in the reservoir may be slightly higher than the maximum due to air in the oil lines. Operation of the mower will eventually purge the air from the lines and the oil level will settle to the maximum.

Mower Storage

If your mower is not going to be operated for an extended period of time (30 days to approximately six months), the mower should be prepared for storage. Store the mower in a dry and protected location. If stored outside, cover the mower (including the tires) to protect it from the elements. The procedures outlined below should be performed whenever the mower is placed in storage.

- Change the engine oil and filter following the instructions provided in the Engine Operator's Manual packed with this manual.

! WARNING

Never store the mower with fuel in the tank indoors or in poorly ventilated enclosures, where fuel fumes may reach an open flame, spark, or pilot light as on a furnace, water heater, clothes dryer, etc.

SERVICE AND MAINTENANCE

- a. To prevent gum deposits from forming inside the engine's carburetor and causing possible malfunction of the engine, use a fuel stabilizer or completely empty the fuel system for storage between 30 and 90 days:

WARNING

Fuel left in the fuel tank deteriorates and will cause serious starting problems.

- Read the product manufacturer's instructions and recommendations.
 - Add to clean, fresh gasoline the correct amount of stabilizer for the capacity (approximately 3 gallons) of the fuel system.
 - Fill the fuel tank with treated fuel and run the engine for 2-3 minutes to get stabilized fuel into the carburetor.
- b. Emptying the fuel system for storage of more than 90 days:
 - Prior to putting the mower in storage, monitor fuel consumption with the goal of running the fuel tank empty.
 - Run the engine until it begins to stall. Use the choke (if equipped) to keep the engine running until all fuel in the carburetor has been exhausted.
 - Referring to the Engine Operator's Manual, drain the fuel from the carburetor bowl.
 2. Clean the engine and the entire mower thoroughly.
 3. Fully charge the battery, then disconnect the negative cable at the battery to prevent possible discharge. Recharge the battery periodically when in storage.

NOTE: Remove the battery if exposed to prolonged periods of sub-freezing temperatures. Store in a cool, dry location where temperatures are above freezing.
 4. Lubricate all lubrication points.

NOTE: Using a pressure washer or garden hose is not recommended for cleaning your mower. It may cause damage to electrical components, spindles, pulleys, bearings or the engine. The use of water will result in shortened life and reduce serviceability.

Removing the Mower from Storage

1. Check the engine oil.
2. Fully charge the battery and inflate the tires to the recommended pressure.
3. Fill the fuel tank with clean, fresh gasoline.
4. Start the engine and allow to idle for a few minutes to ensure engine is operating properly.
5. Drive the mower without a load to make certain all the mower systems are functioning properly.

Adjustments

WARNING

Shut the engine off, remove the ignition key, and engage the park brake before making adjustments. Protect your hands by using heavy gloves when handling the blades.

Deck Leveling

NOTE: Check the mower's tire pressure before performing any deck leveling adjustments. Refer to Tires for information regarding tire pressure. Always level the deck side-to-side before front to rear.

Side-to-Side Leveling

NOTE: Check the mower's tire pressure before performing any deck leveling adjustments. Refer to Tires for information regarding tire pressure. Always level the deck side-to-side before front-to-rear.

If the cutting deck appears to be mowing unevenly, a side-to-side adjustment can be performed. Adjust if necessary as follows:

1. With the mower parked on a firm, level surface, place the deck lift handle in a middle mowing position and rotate both outside blades so that they are perpendicular with the mower.
2. Measure the distance from the outside of the left blade tip to the ground and the distance from the outside of the right blade tip to the ground. Both measurements taken should be equal. If they are not, proceed to the next step.
3. Loosen the lower nut (a) on the adjustable lift link (b) attached to the deck lift arm (c) to lower the deck and tighten the upper nut (d) to secure the deck in place, loosen the upper nut (d) then tighten the lower nut (a) to secure the deck in place. See Figure 26.

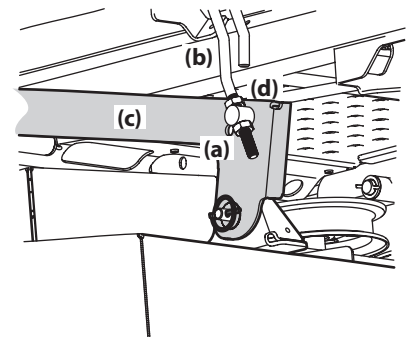


Figure 26

4. The deck is properly leveled when both blade tip measurements are equal.

Front-to-Back Leveling

NOTE: Check the mower's tire pressure before performing any deck leveling adjustments. Refer to Tires for information regarding tire pressure. Always level the deck side-to-side before front-to-rear.

The front of the deck should be between 1/4-3/8" lower than the rear of the deck. Adjust if necessary as follows:

1. Park the mower on a firm, level surface and place the deck lift handle in a middle position.
2. Rotate the blade nearest the discharge chute so that it is parallel with the mower.
3. Measure the distance from the front of the blade tip to the ground and the rear of the blade tip to the ground. The first measurement taken should be between 1/4" and 3/8" less than the second measurement.
4. Determine the approximate distance necessary for proper adjustment and proceed, if necessary.

SERVICE AND MAINTENANCE

- Using a wrench, raise the front of deck by loosening the lock nuts to the front of the pivot pin (a) and then tighten the jam nuts on the back of the pivot pin (a) to raise the front of the deck and secure in place. See Figure 27.
- Using a wrench, lower the front of deck by loosening the jam nuts on the back of the pivot pin (a) and then tighten the lock nut on the front of the pivot pin (a) to lower the front of the deck and secure in place. See Figure 27.
- The deck is properly leveled when the front tip of the blade is 1/4" lower than the rear tip. Retighten the hex bolt on the left rear deck hanger links when proper adjustment is achieved.

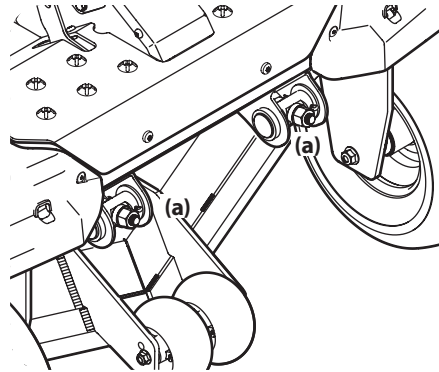


Figure 27

Adjusting the Front Gauge Wheels



WARNING

Keep hands and feet away from the discharge opening of the cutting deck.

The front gauge wheels on the mower deck are an anti-scalp feature, and should not ride on the ground. The front gauge wheels should be approximately 1/4-1/2" above the ground when the deck is set in the desired height setting.

Using the deck lift handle, set the deck in the desired height setting, then check the gauge wheel distance from the ground below. If necessary adjust the front gauge wheels as follows:

- Visually check the distance between the front gauge wheels and the ground. If the gauge wheels are near or touching the ground, they should be raised. If more than 1/2" above the ground, they should be lowered.

- Remove the lock nut (a) securing one of the front gauge wheels (b) to the deck. Remove the front gauge wheel (b), hex screw (c) and spacer (d). See Figure 28.

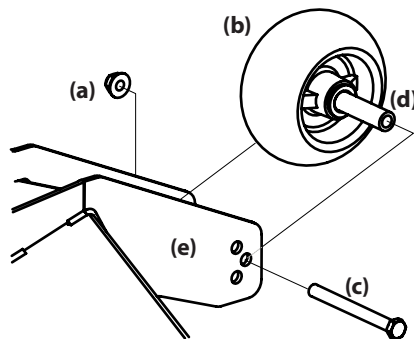


Figure 28

- NOTE:** There are a pair of front gauge wheels on the nose of the 54" and 60" decks.
- Insert the hex screw (c) into one of the three index holes in the front gauge wheel bracket (e) that will give the front gauge wheel (b) a 1/4-1/2" clearance with the ground. See Figure 28.
 - Note the index hole of the just-adjusted front gauge wheel (b), and adjust the other front gauge wheel (b) into the respective index hole of the other front gauge wheel bracket (e). See Figure 28.

Adjusting the Deck Latch Lever

If the deck latch lever does not stay engaged, adjust as follows:

- Loosen -- but do not remove -- the two hex screws (a) and flange lock nuts (a) that secure the handle (b) to right lift arm (c). See Figure 29. The handle has two slotted holes (d) to allow for the adjustment.
- Lift the deck lift handle into the highest mowing position (e). See Figure 29 and the Operation section.
- With the deck lift handle in the highest mowing position (e) re-tighten the hex screws and flange lock nuts loosened in Step 1. See Figure 29. Torque the hardware to 180 in-lbs.

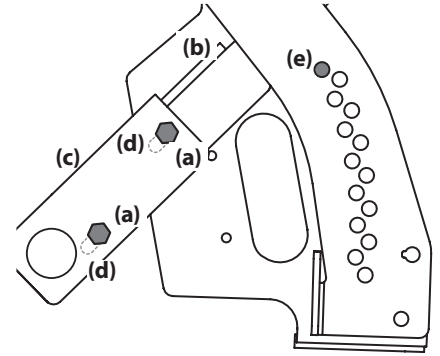


Figure 29

Off-Season Storage

Mower Storage

If your mower is not going to be operated for an extended period of time (30 days to approximately six months), the mower should be prepared for storage. Store the mower in a dry and protected location. If stored outside, cover the mower (including the tires) to protect it from the elements. The procedures outlined below should be performed whenever the mower is placed in storage.

- Change the engine oil and filter following the instructions provided in the Engine Operator's Manual.



WARNING

Never store the mower with fuel in the tank indoors or in poorly ventilated enclosures, where fuel fumes may reach an open flame, spark, or pilot light as on a furnace, water heater, clothes dryer, etc.

- Service the engine as instructed in the separate Engine Operator's Manual.
- Engines stored between 30 and 90 days need to be treated with a gasoline stabilizer and engines stored over 90 days need to be drained of fuel to prevent deterioration and gum from forming in fuel system or on essential carburetor parts. If the gasoline in your engine deteriorates during storage, you may need to have the carburetor, and other fuel system components serviced or replaced.



WARNING

Drain fuel only into an approved container outdoors, away from an open flame. Allow engine to cool. Extinguish cigarettes, cigars, pipes, and other sources of ignition prior to draining fuel.

- Remove the spark plugs and pour approximately one ounce of oil into each cylinder. Crank the engine one or two turns to spread the oil evenly on the cylinder walls. Replace the spark plugs.
- Clean the engine and the entire mower thoroughly.

SERVICE AND MAINTENANCE

NOTE: Use of a pressure washer or garden hose is not recommended to clean your mower. They may cause damage to electrical components, spindles, pulleys, bearings or the engine. The use of water will result in shortened life and reduce serviceability.

- Sharpen the blades so that the mower will be ready to use when needed.
 - Protect the metal surfaces. Repair scratches with the appropriate touch-up spray paint. Brush a rust preventive oil on any unpainted surfaces including the pulleys and blades (be careful not to get any oil on the drive belts).
 - Clean and fully charge the battery, then disconnect the negative cable at the battery to prevent possible discharge. Recharge the battery periodically when in storage.
- NOTE:** Remove the battery if exposed to prolonged periods of sub-freezing temperatures. Store in a cool, dry location where temperatures are above freezing.
- Lubricate all lubrication points.
 - Jack the mower up and store it on blocks to take the weight off of the tires.

Removing the Mower from Storage

- Check the engine oil.
- Fully charge the battery, lower mower off blocks, and inflate the tires to the recommended pressure.
- Remove the spark plugs and wipe them off. Using the starter, crank the engine to pump the excess oil out of the spark plug holes. Replace the spark plugs and the ignition leads.
- If drained before storing, fill the fuel tank with clean, fresh gasoline.
- Check the level of the engine oil in the crankcase and the hydraulic reservoir tank (if equipped).
- Start the engine and allow to idle for a few minutes to ensure engine is operating properly.
- Drive the mower without a load to make certain all the mower systems are functioning properly.

Service

Charging the Battery

Test and, if necessary, recharge the battery after the mower has been stored for a period of time.

Models with Lead-Acid Battery

- A voltmeter or load tester reading of 12.4 volts (DC) or lower across the battery terminals indicates that the battery needs to be charged.
- A lead-acid battery charger should be used. Recommended charge rate is 4A/14.7V.
- If your battery charger is automatic, charge the battery until the charger indicates that charging is complete. If the charger is not automatic, charge for no fewer than eight (8) hours.

Models with AGM Battery

- An AGM battery charger should be used. Recommended charge rate is 1.1A/14.8V.

IMPORTANT! Do NOT use an automotive charger.

- If your battery charger is automatic, charge the battery until the charger indicates that charging is complete. If the charger is not automatic, charge for no fewer than eight (8) hours.

Servicing Electrical System

A fuse is installed to protect the mower's electrical system from damage caused by excessive amperage. Always use the same capacity fuse for replacement. If the electrical system does not function, check for a blown fuse.

If you have a recurring problem with blown fuses, have the mower's electrical system checked by your authorized service dealer.

Relays and Switches

There are several safety switches in the electrical system. If a function of the safety interlock system described earlier is not functioning properly, have the electrical system checked by your authorized service dealer.

Safety Interlock System & Switch Operation Checks

The following operational checks should be made daily:

PTO Switch

- Sit in the operator's seat. With the drive pedals in the neutral position and the park brake engaged, engage the PTO switch by pulling up on the knob and try to start the engine. The engine should not start. If it does, the PTO switch must be replaced. See your authorized service dealer.
- If the engine does not start, disengage the PTO by pressing the knob down and start the engine. Now engage the PTO and the blades should rotate.
- If the blades do not turn, the PTO switch must be replaced, the seat switch must be replaced or the electric PTO clutch must be repaired. See your authorized service dealer.

Park Brake Switch

- Sit in the operator's seat. With the drive pedals in the neutral position and the PTO disengaged, release the park brake and try to start the engine. The engine should not start.
- If it does, the park brake switch must be repositioned or replaced. See your authorized service dealer. If the engine does not start, engage the park brake and start the engine.

Seat Switch

- With the drive pedals in the neutral position, the park brake engaged and the PTO disengaged, start the engine. Now release the park brake and raise up off the seat. Release the operator's seat and the engine should stop. If the engine does not stop, the seat switch must be replaced. See your authorized service dealer.
- With the drive pedals in the neutral position, the park brake engaged and the PTO disengaged, sit in the operator's seat and start the engine. Engage the PTO and the blades should start to rotate. Raise up slightly off the operator's seat and the blades should stop. If the blades do not stop when you dismount from the operator's seat, the seat switch must be replaced. See your authorized service dealer.

Electric PTO Clutch

- This clutch operates when the engine is running, the operator is in the operator's seat and the PTO is engaged. This electric clutch is a normally trouble free device. If a problem develops and the blades do not turn, first check the 25 amp fuse, then investigate the wiring harness and the connections to the seat switch, the PTO switch and the electric blade clutch. Then check the seat switch, the PTO switch and finally the electric blade clutch. If the PTO clutch is still not working properly, see an authorized service dealer.

SERVICE AND MAINTENANCE

Rear Tire Removal/Replacement

1. Remove the four lug nuts (a) to remove the tire. See Figure 30.
2. Reinstall the tire using the four lug nuts. See Figure 30. Torque the lug nuts (a) to 65-70 ft-lbs.

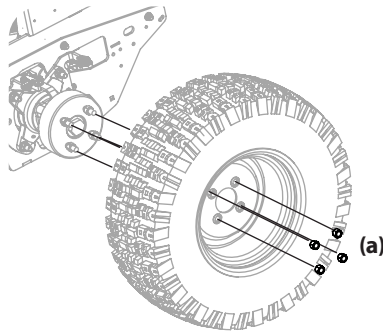


Figure 30

Front Tire Removal/Replacement

1. Remove the hex screw (a) and flange lock nut (b) that secures the front wheel (c) to the yoke assembly (d). See Figure 31.
2. To re-install or replace the front tire, reverse Step 1. Tighten the hardware to 75-90 ft-lbs.

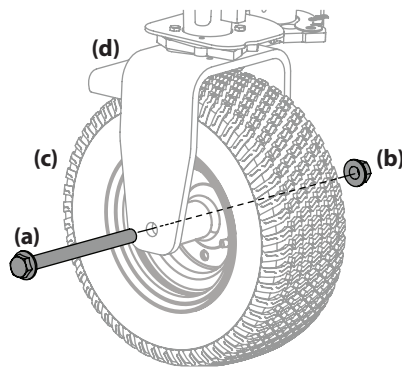


Figure 31

Deck Removal

Remove the mower deck from the mower as follows:

1. Move the mower to a level surface, disengage the PTO, stop the engine and place the control pedals in the neutral/park brake engaged position.
2. Move the deck gauge wheels or rollers to their highest setting (lowest deck setting).
3. On models with full deck covers, the front deck cover (a) will need to be removed before removing the deck. To take off the front deck cover (a) remove the two hex screws (b, one on each side) that secure it to the main deck cover. See Figure 32.
4. Remove the "V" belt from the PTO pulley, located on the bottom of the engine, using one of the following two methods.

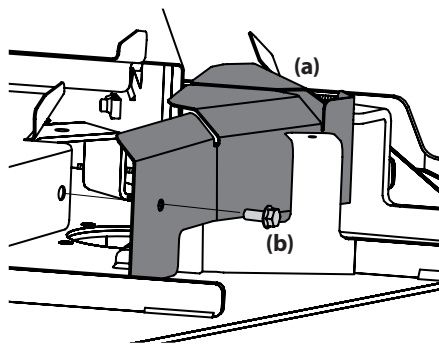


Figure 32

5. Releasing belt tension with the idler pulley:
 - a. Using the deck lift handle, raise the deck to the DECK REMOVAL/INSTALLATION POSITION (a). See Figure 33.
 - b. Working from the middle of the mower, pivot the idler bracket and movable idler pulley rearward from the backside of the "V" belt (a) just far enough to lift the belt up and over the idler pulley (b). See Figure 34.
 - c. From beneath the rear of the mower, slide the belt off of the PTO pulley on the bottom of the engine.
 - d. Lower the deck into the DECK REMOVAL/INSTALLATION POSITION (a) using the deck lift handle. See Figure 33.
 - e. Skip ahead to Step 7.

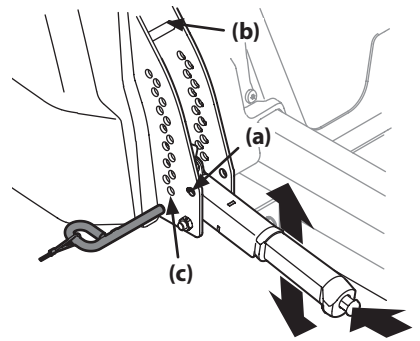


Figure 33

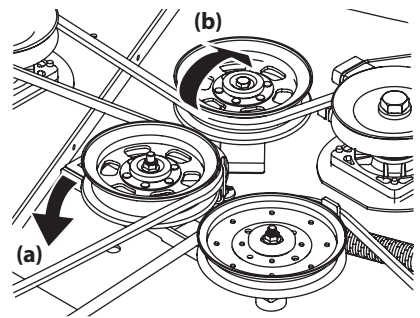


Figure 34

6. Rolling the belt off the PTO pulley:
 - a. Using the deck lift handle, raise the deck to the DECK REMOVAL/INSTALLATION POSITION (a). See Figure 33.
 - b. Sitting behind the mower facing forward, reach beneath the mower to grasp the belt at the front of the PTO pulley.

⚠ WARNING

Avoid pinching injuries. Never place your fingers on the idler spring or between the belt and a pulley while removing or installing the belt.

⚠ CAUTION

The spring is under tension due to the weight of the deck. When removing the lift linkage from the deck the tension of the springs will go from the deck to the deck lift pedal. Not capturing the deck lift pedal by placing the clevis pin behind the lowest position while removing the lift linkage from the deck will cause it to snap back.

- c. Pull the left side of the belt rearward and downward while manually turning the PTO pulley to the right until the belt rides out onto the edge of the lower sheave of the pulley.

NOTE: If pulling the right side of the belt, turn the pulley left.

⚠ WARNING

The muffler and any surrounding parts at the rear of the mower may be extremely hot, and could cause serious burns. Use extreme caution when near the muffler. Allow the muffler to fully cool before removing the belt from the PTO pulley.

SERVICE AND MAINTENANCE

- d. While still holding the belt downward, continue turning the PTO pulley until the belt is rolled off the pulley. Refer to Figure 35.

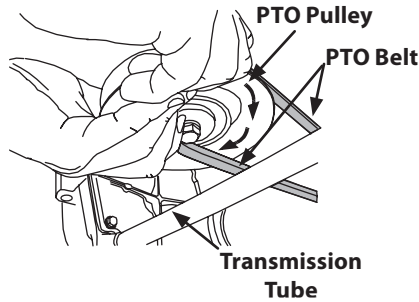


Figure 35

- e. Lower the deck into the DECK REMOVAL/INSTALLATION POSITION (a) using the deck lift handle. See Figure 33 on page 23.
- f. Move on to Step 7.

7. Locate the LH and RH deck release pins (a) on each side of the deck. Pull the release pins outward and release the deck from the LH and RH deck lift arms. See Figure 36.

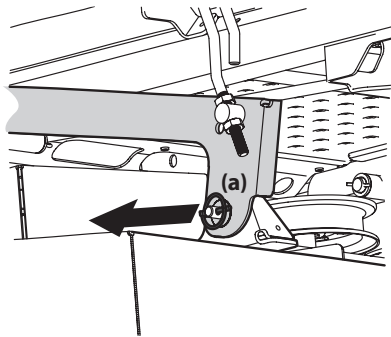


Figure 36

8. Slide the front deck lift rod off the hanger brackets on the front of the deck.
9. Place the deck lift handle into the highest mowing position and slide the deck out from the right side of the mower.

Deck Installation

Install the deck on the mower as follows:

1. Place the deck lift handle in the highest mowing position (b). See Figure 33 on page 23.
2. Slide the deck under the mower on the right side of the mower lining up the deck hanger brackets and the deck lift arms.
3. Once the deck is under the mower, move the deck lift handle to the lowest mowing position.
NOTE: To line the brackets up properly, it may be necessary to place a small block of wood under each side of the deck.
4. Hook the front deck lift rod onto the hanger brackets on the front of the deck.
5. Pull the deck release pins outward and maneuver the deck as necessary to align the holes in the deck lift arms with the pins. Refer to Figure 36.
6. When aligned, push each pin fully inward through the lift arms to secure the arms in the rear hanger bracket slots.
7. Make certain the "V" belt is in the spindle pulleys on the deck; then route the belt rearward beneath the mower frame, above the transmission tube(s), to the PTO pulley on the bottom of the engine.
8. Using the deck lift handle, raise the deck to the position that provides the most horizontal run of the belt between the deck idler pulleys and the PTO pulley on the bottom of the engine.

9. Make certain the belt is in the spindle pulleys of the deck, and that the backside of the belt is against both the fixed and movable idler pulleys.
10. Sitting behind the mower, facing forward, make certain the belt is not twisted; then reach beneath the mower to grasp the belt and pull it toward the PTO pulley.

WARNING

Avoid pinching injuries. Never place your fingers on the idler spring or between the belt and a pulley while removing or installing the belt.

11. Pull the right side of the belt rearward and place the narrow "V" side of the belt into the PTO pulley. See Figure 35.
12. While holding the belt and pulley together, rotate the pulley to the left (see Figure 35). Continue holding and rotating the pulley and belt until the belt is fully rolled into the PTO pulley.
NOTE: Before using the mower double-check the belt routing to make sure that the belt has been routed properly.
13. On models with deck covers, re-install the front deck cover. See Figure 32 on page 23.

Replacing the Belt

1. Remove the deck from beneath the mower. Refer to Deck Removal.
2. On mowers with standard belt covers, remove the wing knobs securing the belt covers to the deck.
3. Remove the two idler pulleys (a) by removing the flange lock nuts (b) and pulley caps (c) that secure them to the deck and the idler arm. See Figure 37. Do not lose any of the hardware when removing the flange lock nuts (b).

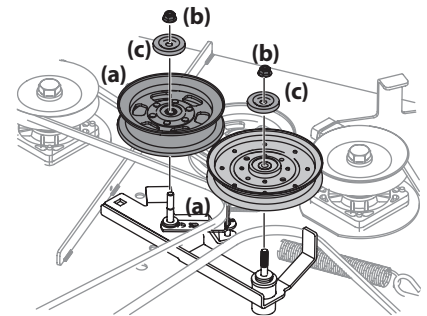


Figure 37

NOTE: Take note of the position of the belt guards to ensure they are properly re-installed.

4. Remove the belt from the spindle pulleys.
5. Install the new belt around the spindle pulleys as shown and reinstall the belt covers. See Figure 38.

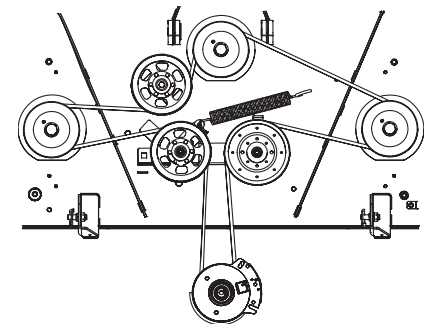


Figure 38

6. Place the belt around the idler pulleys removed in Step 3 with the "V" side facing in. Once in place, reinstall all the hardware and tighten the flange lock nut to secure the assembly. See Figure 37.
7. Route the belt as shown in Figure 38 and then reinstall the deck. Refer to Deck Installation.

SERVICE AND MAINTENANCE

Mower Blade Care

WARNING

Before performing any maintenance, disengage the PTO, engage the park brake lever, turn the ignition key to the "OFF" position, and remove the key from the switch. Protect your hands by using heavy gloves when handling the blades. When servicing the mower deck, be careful not to cut yourself on the sharpened blades.

The cutting blades must be kept sharp at all times. Sharpen the cutting edges of the blades evenly so that the blades remain balanced and the same angle of sharpness is maintained.

If the cutting edge of a blade has already been sharpened many times, or if any metal separation is present, it is recommended that new blades be installed. New blades are available at your authorized dealer.

The blades may be removed as follows.

1. Remove the deck from beneath the mower, (refer to Deck Removal) then gently flip the deck over to expose its underside.
2. Use a 1-1/8" wrench to hold the hex nut on top of the spindle assembly when loosening the bolt securing the blade. A block of wood may be placed between the deck housing and the cutting edge of the blade to help in breaking loose the hex nut securing the blade. See Figure 39.

3. When reinstalling the blades, be sure they are installed so that the wings are pointing upward toward the top of the deck.
4. Tighten the blade nuts to 70-90 ft-lbs.
5. Reinstall the deck. Refer to Deck Installation.

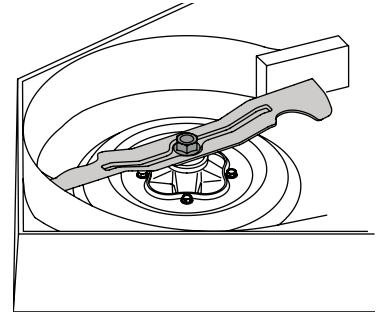


Figure 39

Changing the Transmission Drive Belt

Several components must be removed and special tools used in order to change the mower's transmission drive belt. See your authorized service dealer to have the transmission drive belt replaced.

Mower Creeping

Creeping is the slight forward or backward movement of the mower when the throttle is on and the speed control pedals are in the neutral position. If your mower creeps, see your authorized service dealer.

Troubleshooting

WARNING

Before performing any type of maintenance/service, disengage all controls and stop the engine. Wait until all moving parts have come to a complete stop. Disconnect spark plug wire and ground it against the engine to prevent unintended starting. Always wear safety glasses during operation or while performing any adjustments or repairs.

This section addresses minor service issues. Phone (800) 965-4CUB to order replacement parts or a complete Parts Manual (have your full model number and serial number ready). Parts Manual downloads are also available free of charge at www.cubcadet.com.

PROBLEM	CAUSE	REMEDY
Excessive vibration	<ol style="list-style-type: none"> 1. Cutting blade loose or unbalanced. 2. Damaged or bent cutting blade. 	<ol style="list-style-type: none"> 1. Tighten blade and spindle. 2. Replace blade.
Uneven cut	<ol style="list-style-type: none"> 1. Deck not properly leveled. 2. Cutting blade dull or damaged. 3. Uneven tire pressure. 	<ol style="list-style-type: none"> 1. Perform side-to-side deck adjustment. 2. Sharpen or replace cutting blade. 3. Check and correct tire pressure in all four tires.
Mower will not mulch grass	<ol style="list-style-type: none"> 1. Engine speed too low. 2. Wet grass. 3. Excessively high grass. 4. Dull blade. 	<ol style="list-style-type: none"> 1. Place throttle in FAST (rabbit) position. 2. Do not mulch when grass is wet. 3. Mow once at a high cutting height, then mow again at desired height or make a narrower cutting swath. 4. Sharpen or replace blade.
Engine fails to start	<ol style="list-style-type: none"> 1. PTO/Blade engaged. 2. Blown fuse. 3. Park brake not engaged. 	<ol style="list-style-type: none"> 1. Place blade engage lever in disengaged (OFF) position. 2. Replace fuse(s). 3. Engage park brake. See Engine Operator's Manual.

REPLACEMENT PARTS & ACCESSORIES

Replacement Parts

Part Number	Description
954-05012A 954-05013	Deck Belt, 48" Deck Belt, 54"
954-04317A	Drive Belt
942-04417 942-04416	Blades, 48" Deck Blades, 54" Deck
918-07417 918-07416	Deck Spindle, 48" Deck Deck Spindle, 54" Deck
634-3159	Deck Wheel
925-1707D	Battery
951-3124E	Gas Cap
946-05260	Throttle Control Cable (Kohler Engine)
946-04847	Choke Control (If Equipped)
925-06908	Ignition Key
931-05396C	Chute Assembly
634-05299	Rear Wheel Assembly, 23 x 10.5 - 12
634Z05425	Front Wheel Assembly, 13 x 6.50 - 6

Attachments & Accessories

Part Number	Description
59A30046150	Power Assist Bagger
19B70037100	48" Mulch Kit
19B70038100	54" Mulch Kit
19B70045100	Power Deck Lift
19B70019100	Heavy-Duty Deck-Mounted Striping Kit
19B70044100	Snow Blade
490-241-0026	Tire Chains
59B30011150	Light Kit Receptacle
59B30021150	12V Outlet Receptacle
490-850-0008	Oil Siphon
490-850-0005	Blade Removal Tool
490-325-0020	Tire Sealant
490-900-0045	Oil Filter Wrench
490-900-0062	Armortek Non-Stick Spray
490-000-0028	Carburetor & Choke Cleaner
19B40026100	Hauler

Phone (800) 965-4CUB to order replacement parts or a complete Parts Manual (have your full model number and serial number ready). Parts Manual downloads are also available free of charge at www.cubcadet.com.

NOTES

NOTES

MTD Product Warranty

1. Statutory Warranty

- 1.1 If you are a “consumer” pursuant to the Australian Consumer Law, then MTD Products Australia Pty Ltd ACN 004 873 572 (**MTD**) confirms the following: *Our goods come with guarantees that cannot be excluded under the Australian Consumer Law. You are entitled to a replacement or refund for a major failure and for compensation for any other reasonably foreseeable loss or damage. You are also entitled to have the goods repaired or replaced if the goods fail to be of acceptable quality and the failure does not amount to a major failure.*
- 1.2 Your right to replacement, refund or compensation under the Australian Consumer Law may be against MTD and/or the party that supplied the relevant product to you, as specified in the Australian Consumer Law.
- 1.3 The benefits provided to you by this Warranty are in addition to other rights and remedies available to you under the law.

2. Contractual Warranty

- 2.1 In addition to the rights and remedies you have under law :

MTD Products Australia Pty Ltd
of 6-8 Zenith Road, Dandenong South, Victoria 3175
Email: enquiries@mtdproducts.com
Telephone: 1300 951 594

provides the following additional contractual warranty in support of the products listed in Table A (**MTD Product**), supplied by MTD or an authorised MTD dealer within Australia to you.

- 2.2 Subject to the terms and conditions of the warranty set out in this document (**Warranty**), MTD warrants that the MTD Product will be free from defects in materials and workmanship for the period set out in Table A below (**Warranty Period**).
- 2.3 The Warranty Period will commence on the date you purchase the MTD Product from MTD or an MTD dealer. The Warranty Period varies, as set out in the Table A, according to:
- (a) the type of MTD Product;
 - (b) the part of the MTD Product that is defective; and
 - (c) whether the MTD Product is:
 - (i) solely used for personal and domestic purposes, which excludes any use in connection with a business or trade (**Residential Use**); or
 - (ii) not solely used for personal and domestic purposes, or is used in connection with a business or trade (**Commercial Use**).

TABLE A

LAWN MOWERS	General Warranty Period Domestic Use	General Warranty Period Commercial	Engine Warranty Period	Attachments Warranty Period
	Excludes engine, attachments and normal wear parts			
Rover Steel Deck / Rover Engine/Endeavor	2 Years	90 Days	5 Year Domestic / 90 Day Commercial	N/A
Steel Deck / Non-Rover Engine	2 Years	90 Days	2 Year Domestic / 90 Day Commercial	Nil
Rover Steel Deck / Rover Engine	5 Years	90 Days	5 Year Domestic / 90 Day Commercial	N/A
Rover Steel Deck / Non-Rover Engine	5 Years	90 Days	2 Year Domestic / 90 Day Commercial	N/A
Rover Alloy Deck / Rover Engine	5 Years	90 Days	5 Year Domestic / 90 Day Commercial	N/A
Rover Alloy Deck / Non-Rover Engine	5 Years	90 Days	2 Year Domestic / 90 Day Commercial	N/A
Cylinder Mowers / Petrol	5 Years	Nil	2 Year Domestic / 90 Day Commercial	1 Year Domestic / 90 Day Commercial
Cylinder Mowers / Battery	2 Years	Nil	2 Year Domestic / 90 Day Commercial	1 Year Domestic / 90 Day Commercial
HANDHELD EQUIPMENT	General Warranty Period Domestic Use	General Warranty Period Commercial	Engine Warranty Period	Attachments Warranty Period
	Excludes engine, attachments and normal wear parts			
Line Trimmers	2 Years	90 Days	2 Year Domestic / 90 Day Commercial	1 Year Domestic / 90 Day Commercial
Blowers	2 Years	90 Days	2 Year Domestic / 90 Day Commercial	1 Year Domestic / 90 Day Commercial
Chainsaws	2 Years	90 Days	2 Year Domestic / 90 Day Commercial	1 Year Domestic / 90 Day Commercial
Hedge Trimmer	2 Years	90 Days	2 Year Domestic / 90 Day Commercial	1 Year Domestic / 90 Day Commercial
Edger	2 Years	90 Days	2 Year Domestic / 90 Day Commercial	N/A
Rover Edger	5 Years	90 Days	2 Year Domestic / 90 Day Commercial	N/A
Rover Powered by CORE	General Warranty Period Domestic Use	General Warranty Period Commercial	Charger & Battery Warranty Period	Attachments Warranty Period
	Excludes motor, attachments and normal wear parts			
Rover CORE Powered Product	5 Years	90 Days	3 Years Domestic / 90 Day Commercial	N/A
SEASONAL	General Warranty Period Domestic Use	General Warranty Period Commercial	Engine Warranty Period	Attachments Warranty Period
	Excludes engine, attachments and normal wear parts			
Log Splitter	2 Years	90 Days	2 Year Domestic / 90 Day Commercial	N/A
Rover Log Splitters Rover Engine	5 Years	90 Days	5 Year Domestic / 90 Day Commercial	N/A
Rover Log Splitters Non-Rover Engine	5 Years	90 Days	2 Year Domestic / 90 Day Commercial	N/A
Chipper Shredders	2 Years	90 Days	2 Year Domestic / 90 Day Commercial	N/A
Rover Chipper Shredders	5 Years	90 Days	2 Year Domestic / 90 Day Commercial	N/A
Chipper Shredder Vacs	2 Years	90 Days	2 Year Domestic / 90 Day Commercial	N/A
Rover Chipper Shredder Vacs Rover Engine	5 Years	90 Days	5 Year Domestic / 90 Day Commercial	N/A
Rover Chipper Shredder Vacs Non-Rover Engine	5 Years	90 Days	2 Year Domestic / 90 Day Commercial	N/A
Tillers	2 Years	90 Days	2 Year Domestic / 90 Day Commercial	N/A
Rover Tillers Rover Engine	5 Years	90 Days	5 Year Domestic / 90 Day Commercial	N/A
Rover Tillers Non-Rover Engine	5 Years	90 Days	2 Year Domestic / 90 Day Commercial	N/A
Wheeled String Trimmer	2 Years	90 Days	2 Year Domestic / 90 Day Commercial	N/A

TABLE A CONTINUED

ROVER RIDE ONS & ZERO- TURNS	General Warranty Period Domestic Use	General Warranty Period Commercial Use	Engine Warranty Period	Attachments Warranty Period
	Excludes engine, attachments and normal wear parts			
Micro Rider 24"	2 Years	90 Days	2 Year Domestic / 90 Day Commercial	1 Year Domestic / 90 Day Commercial
Rover Micro Rider 24"	5 Years	90 Days	2 Year Domestic / 90 Day Commercial	1 Year Domestic / 90 Day Commercial
Mini Rider 30"	2 Years	90 Days	2 Year Domestic / 90 Day Commercial	1 Year Domestic / 90 Day Commercial
Rover Mini Rider 30"	5 Years	90 Days	5 Year Domestic / 90 Day Commercial	1 Year Domestic / 90 Day Commercial
Rover Mini Rider 30"Hydrostatic Transmission	5 Years	90 Days	5 Year Domestic / 90 Day Commercial	1 Year Domestic / 90 Day Commercial
439/38	5 Years	90 Days	5 Year Domestic / 90 Day Commercial	1 Year Domestic / 90 Day Commercial
Rover 420/38	5 Years	90 Days	5 Year Domestic / 90 Day Commercial	1 Year Domestic / 90 Day Commercial
Rover Rancher 547/38	5 Years	90 Days	5 Year Domestic / 90 Day Commercial	1 Year Domestic / 90 Day Commercial
Rover Raider 17/42	5 Years	90 Days	2 Year Domestic / 90 Day Commercial	1 Year Domestic / 90 Day Commercial
Rover Rancher 547/42	5 Years	90 Days	5 Year Domestic / 90 Day Commercial	1 Year Domestic / 90 Day Commercial
Rover Lawn King 547/42	5 Years	90 Days	5 Year Domestic / 90 Day Commercial	1 Year Domestic / 90 Day Commercial
Rover Lawn King 18/42 Kawasaki	5 Years	90 Days	5 Year Domestic / 90 Day Commercial	1 Year Domestic / 90 Day Commercial
Rover Lawn King 24/42 Kawasaki	5 Years	90 Days	5 Year Domestic / 90 Day Commercial	1 Year Domestic / 90 Day Commercial
Rover RZT L 34	5 Years	90 Days	5 Year Domestic / 90 Day Commercial	1 Year Domestic / 90 Day Commercial
Rover RZT L 42 Kohler	5 Years	90 Days	3 Year Domestic / 90 Day Commercial	1 Year Domestic / 90 Day Commercial
Rover RZT L 46 Kawasaki	5 Years	90 Days	2 Year Domestic / 90 Day Commercial	1 Year Domestic / 90 Day Commercial
Rover RZT S 46 Kohler	5 Years	90 Days	3 Year Domestic / 90 Day Commercial	1 Year Domestic / 90 Day Commercial
Rover RZ L 42 679cc	5 Years	90 Days	5 Year Domestic / 90 Day Commercial	1 Year Domestic / 90 Day Commercial
Rover RZT 50 Kohler	5 Years	90 Days	3 Year Domestic / 90 Day Commercial	1 Year Domestic / 90 Day Commercial
	5 Year fabricated deck shell.			
Rover RZ L 46 Kawasaki	5 Years	90 Days	3 Year Domestic / 90 Day Commercial	1 Year Domestic / 90 Day Commercial
	5 Year fabricated deck shell.			

TABLE A CONTINUED

CUB CADET RIDE ONS & ZERO-TURNS	General Warranty Period Domestic Use	General Warranty Period Commercial Use	Engine Warranty Period	Attachment Warranty Period
	Excludes engine, attachments and normal wear parts			
CC30 e (Electric Rider)	3 Years	90 Days	N/A	1 Year Domestic / Nil Commercial
LT42 e (Electric Rider)	3 Years	90 Days	N/A	1 Year Domestic / Nil Commercial
LX 42 Kohler	6 Years	90 Days	6 Year Domestic / 90 Day Commercial	1 Year Domestic / Nil Commercial
LX 42 EFI Cub Cadet	6 Years	90 Days	6 Year Domestic / 90 Day Commercial	1 Year Domestic / Nil Commercial
LX 46 Kohler	6 Years	90 Days	6 Year Domestic / 90 Day Commercial	1 Year Domestic / Nil Commercial
LX 54 Kohler	6 Years	90 Days	6 Year Domestic / 90 Day Commercial	1 Year Domestic / Nil Commercial
RZT L 42 Kohler	6 Years	90 Days	6 Year Domestic / 90 Day Commercial	1 Year Domestic / Nil Commercial
RZT S 42 Kohler	6 Years	90 Days	6 Year Domestic / 90 Day Commercial	1 Year Domestic / Nil Commercial
RZT L 50 Kohler	6 Years	90 Days	6 Year Domestic / 90 Day Commercial	1 Year Domestic / Nil Commercial
RZT S 50 Kohler	6 Years	90 Days	6 Year Domestic / 90 Day Commercial	1 Year Domestic / Nil Commercial
RZT S 46 Kohler	6 Years.	90 Days	6 Year Domestic / 90 Day Commercial	1 Year Domestic / Nil Commercial
ZT2 L 54 Kawasaki	3 Years.	90 Days	3 Year Domestic / 90 Day Commercial	1 Year Domestic / Nil Commercial
	5 Year fabricated deck shell.			
Z-Force LZ 54 Kohler	3 Years.	1 Year	3 Year Domestic / 90 Day Commercial	1 Year Domestic / Nil Commercial
	5 Year fabricated deck shell.			
Z-Force LX 48 Kohler	3 Years.	1 Year	3 Year Domestic / 1 Year Commercial	1 Year Domestic / Nil Commercial
	5 Year fabricated deck shell.			
Z-Force SX 48 Kohler	3 Years.	1 Year	3 Year Domestic / 1 Year Commercial	1 Year Domestic / Nil Commercial
	5 Year fabricated deck shell.			
Z-Force LX 60 Kohler	3 Years.	1 Year	3 Year Domestic / 1 Year Commercial	1 Year Domestic / Nil Commercial
	5 Year fabricated deck shell.			
Z-Force SX Kawasaki Models	3 Years.	2 Years	3 Year Domestic / 2 Year Commercial	1 Year Domestic / Nil Commercial
	5 Year fabricated deck shell.			
ZTX5 Kawasaki Models	3 Years.	2 Years	3 Year Domestic / 2 Year Commercial	1 Year Domestic / Nil Commercial
	5 Year fabricated deck shell.			

TABLE A CONTINUED

CUB CADET COMMERCIAL	General Warranty Period Domestic Use	General Warranty Period Commercial Use	Engine Warranty Period	Attachments Warranty Period
	Excludes engine, attachments and normal wear parts			
Handheld	3 Years	1 year	1 year	N/A
Brush Cutter	3 Years	1 year	1 year	N/A
Hedge Trimmer	3 Years	1 year	1 year	N/A
CUB CADET COMMERCIAL PRO Z	General Warranty Period Domestic Use	General Warranty Period Commercial Use	Engine Warranty Period	Attachments Warranty Period
	Excludes engine, attachments and normal wear parts			
PRO Z 148 S	3 Years.	2 Years	3 Year Domestic / 3 Year Commercial	1 Year Domestic / Nil Commercial
	5 Year fabricated deck shell.			
PRO Z 154 L	3 Years.	2 Years	3 Year Domestic / 3 Year Commercial	1 Year Domestic / Nil Commercial
	5 Year fabricated deck shell.			
PRO Z 154 S	3 Years.	2 Years	3 Year Domestic / 3 Year Commercial	1 Year Domestic / Nil Commercial
	5 Year fabricated deck shell.			
PRO Z 554 S	3 Years.	3 Years	3 Year Domestic / 3 Year Commercial	1 Year Domestic / Nil Commercial
	5 Year fabricated deck shell.			
PRO Z 760 L	3 Years.	3 Years	3 Year Domestic / 3 Year Commercial	1 Year Domestic / Nil Commercial
	5 Year fabricated deck shell.			
PRO Z 760 L	3 Years.	3 Years	3 Year Domestic / 3 Year Commercial	1 Year Domestic / Nil Commercial
	5 Year fabricated deck shell.			
PRO Z 760 S	3 Years.	3 Years	3 Year Domestic / 3 Year Commercial	1 Year Domestic / Nil Commercial
	5 Year fabricated deck shell.			
PRO Z 972 S	3 Years.	3 Years	3 Year Domestic / 3 Year Commercial	1 Year Domestic / Nil Commercial
	5 Year fabricated deck shell.			
PRO Z 972 SD & SDL	3 Years.	3 Years	3 Year Domestic / 3 Year Commercial	1 Year Domestic / Nil Commercial
	5 Year fabricated deck shell.			
Pro HW300 Hydro Walk Kawasaki	3 Years.	2 Years	3 Year Domestic / 3 Year Commercial	1 Year Domestic / Nil Commercial
	5 Year fabricated deck shell.			
Pro X 648 Kawasaki	3 Years	2 Years	3 Year Domestic / 3 Year Commercial	1 Year Domestic / Nil Commercial
	5 Year fabricated deck shell.			

TABLE A CONTINUED

WOLF- Garten	General Warranty Period Domestic & Commercial Use	Engine Warranty Period	Attachments Warranty Period
WOLF-Garten multi-Star® unit system, multi-star® Minis and the multi-star® tree care without ladder	Lifetime	NA	NA
Hand tools and all manually controlled trimmers	10 years	NA	NA

2.4 For the purpose of Table A:

- (a) “*Attachments*” means any component of a product that is not a supplied as a standard component (i.e. it is purchased separately)
- (b) Where a primary or secondary school purchases an MTD Product for use by that school, that use will be classified as Residential Use;
- (c) Honda, Briggs & Stratton and Kohler & Kawasaki engines are “*NonRover*” engines;
- (d) Normal Wear Parts include batteries, blades, blade bolts, V-belts, line heads, spark plugs and filters, as classified by MTD; and
- (e) “*rolling chassis*” means the frame plus the "running gear" like handle bars, wheels, driveshaft and axle.

2.5 In the event of dispute, MTD will determine whether the MTD Product was used for a Residential Use or Commercial Use.

3. Exclusions and limitations

3.1 The Warranty ceases to apply to any MTD Product if it is:

- (a) serviced or repaired using non-genuine parts (being parts or components not originally manufactured or imported into Australia by MTD); or
- (b) assembled, serviced, modified or adjusted by a person not appropriately trained in the assembly, servicing, modification or adjustment of the MTD Product, as determined by MTD.

3.2 This Warranty does not apply to, or in any way cover:

- (a) normal wear and tear;
- (b) defects in or related to the battery;
- (c) any defect that was brought to your attention, or would reasonably have been revealed to you if you had conducted an examination, before acquiring the MTD Product;
- (d) any defect in, or defect caused by, parts or components that were not:
 - (i) manufactured or imported into Australia by MTD;

- (ii) supplied by a supplier approved by MTD; or
- (iii) approved by MTD for use with the MTD Product;
- (e) any failure arising from accident, abuse, act of God, fire, sabotage, vandalism, contaminated fluids or neglect or failure to operate, store and/or maintain and service the MTD Product in accordance with the instruction manual supplied with the MTD Product;
- (f) any parts or services required for the normal and regular maintenance of the MTD Product e.g. lubricants;
- (g) normal adjustments which are noted in the instruction manual supplied with the MTD Product;
- (h) any defect caused by the engine being turned other than in accordance with the instruction manual supplied with the MTD Product;
- (i) any alleged defect in the MTD Product that MTD or an authorised MTD dealer cannot establish after testing and inspection;
- (j) any MTD Product that has been used other than for the purpose for which it was designed;
- (k) any MTD Product that has been overloaded or involved in an accident; or
- (l) any defect arising from the use of:
 - (i) fuel or fuel and oil mix for the engine;
 - (ii) chain and bar oil for the oil pump; or
 - (iii) lubricating oil in a four-stroke engine;

in the MTD Product other than in accordance with the instruction manual supplied with the MTD Product.

3.3 This Warranty:

- (a) is not transferable; and
- (b) does not apply to an MTD Product acquired by way of auction, or online, or from a person other than MTD or an authorised MTD dealer.

3.4 This warranty does not cover the cost of claiming under the warranty, including any freight or delivery costs. Such costs must be paid by you.

3.5 Despite any other provision of this Warranty, MTD's liability arising from, under or in connection with this Warranty is limited as set out in paragraph 5.1. Except as expressly set out in paragraph 5 and subject to law, MTD is not liable under this Warranty for any damages, losses, costs or expenses including, without limitation, loss of profit, loss of production or any financial or economic loss, and other indirect or consequential loss, which may be suffered by you or by any third party arising out of or in any way connected with any defect in an MTD Product.

3.6 Except to the extent expressly set out in this warranty, and subject to law, MTD does not make any promise or representation as to the quality, performance, or freedom from defects, of any MTD Product.

4. How to claim

4.1 To make a claim under this Warranty you must promptly, and at your own expense, take your:

- (a) MTD Product;
- (b) proof of purchase with purchase date;
- (c) evidence of warranty registration; and
- (d) full details of the alleged MTD Product defect.

to an authorised MTD dealer upon discovery of any defect in the MTD Product, and within the relevant Warranty Period. Your nearest MTD dealer can be found at cubcadet.com.au, rover.com.au or mtd.com.au. You must also provide your name, address and phone number to the MTD dealer to whom you return the MTD Product.

4.2 If you have any inquiries about making a claim, please contact the MTD dealer from whom you purchased your MTD Product or your nearest MTD dealer.

5. MTD's Obligations

5.1 The obligations of MTD under this warranty will be limited to one of the following at the election of MTD:

- (a) repair of the MTD Product;
- (b) provision of a replacement MTD Product; or
- (c) a refund of the price you paid for the MTD Product.

5.2 MTD reserves the right to replace the defective parts or components of an MTD Product with parts and components of similar quality, grade and composition where an identical part or component is not available.