

LIFTING TECHNOLOGY  
for Craftsmen & Industry



Aluminium  
MATERIAL and MOUNTING LIFTS



# Wienold

Product Catalogue  
Norbert Wienold GmbH 2016



The Norbert Wienold GmbH was founded in 1987 and is General Distributor in Germany for:



Whether material lifts, or work platforms, scissors or booms: we offer a large range of lifting technology to you for many operational areas - up to 40 m working height.

At our headquarter in Emsbüren in Germany we employ approx. 25 co-workers, who all work together with the colleagues at our national offices to ensure fast problem free completion of your enquiries and orders.



Our services include among other things, sales, rentals, spare part service and repairs, as well as machine examinations.

To adapt your Lifting equipment for individual needs and work inputs we also offer a wide accessory program to you.

In order to guarantee short term supplies, we have many lifts, workplatforms, spare parts and accessories in stock. Therefore your order reaches you within the shortest time.



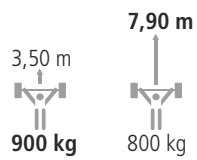
We will also help you with enquires for completely special single solutions in the lifting technology as well as briefings and training courses for our machines.

Fell welcome, **we be glad to help.**

**Rental Stations in Germany:**

München | Frankfurt | Leverkusen | Walsrode | Brandenburg | Emsbüren





**GML800+**  
Glass & Material Lift

4



**SLK**  
WIENOLD Superlift  
with counterweights

10



WIENOLD Lift Universal  
**PREMIUM**

12



**WL-Std**  
WIENOLD Lift Standard

18



**Panellift**  
Drz Wall Lifter

22



**Accessories**

24

Lifting height



Left icon describes **maximum Safe Working Load (SWL)** and lifting height.  
Left icon describes **maximum Working Height** and Safe Working Load.

# Wienold GML 800+

WIENOLD Glass & Material Lift







**GML 800+ M**  
with manual worm gear winch



**GML 800+ AC**  
with 230/110V electric winch



**GML 800+ DC**  
with 24V electric winch

The new **GML800+** lift series redefines the handling of heavy loads in a completely new way. The range offers unparalleled safe working loads for material lifts of this type.

The GML range brings the new development of an **electric drive system**. Both AC and DC models have a powerful electric winch that allows 900 kg to be lifted to a height of 3.50 m and up to 800 kg to a height of 7.90 m at the touch of a button.

The Manual (M) model range has identical lifting and reach capabilities to the powered range. The worm gear winch comes complete with an adjustable crank handle which, when extended fully enables heavier loads to be lifted more easily.

A truly amazing accessory that can be fitted to the Manual range as an optional extra is a 3 speed gearbox which can be operated with a cordless or mains operated drill. This totally eliminates the need for manual winding which saves both time and effort.

The GML800+ AC and DC are operated by a simple wander lead that is magnetised for storage on any steel part of the machine.

The battery pack and counterbalance weights on the DC machine are stored in a self contained trolley that ingeniously attaches to the stabilising legs of the GML800+ and comes complete with an integrated, self seeking charger.

On both the AC and DC models, the cable control system is designed to allow the operation of additional powered accessories such as the electric telescopic boom (ETB).

Another innovative feature of the GML range is the option of forklift pockets which become invaluable when transporting the machine around a building site, especially in operating position.

Electric winch AC and DC series



Manual worm gear winch M series



Optional: 3 speed gearbox for Manual version



# Wienold Glass- und Material Lift GML 800+

Safe lifting on wall and ceiling.



**Adjustable stabilisers as standard** for /20 und /25.  
Optional für for /10 and /15 models.



**Space-saving**  
Transport/storage position



**Practical: forklift pockets**  
available as an option.

In order for the machines to operate safely with the extra lifting capacities, the mast system of the popular SLK range has been extensively redesigned.

Not only has the mast extrusion been made stronger, the rollers are manufactured from hardened steel to ensure smooth movement and stability. All pulleys, bearings and the steel cable have been engineered for durability and longevity.

The GML series incorporates twin safety brakes and on the electric models, two limit switches are fitted. These switches deactivate the winch automatically when full extension or retraction is reached. The winch also stops if the cable tension is insufficient.

Wienold Lift's high standard of engineering and safety extends to all components of the GML800+ range. The chassis frame, stabilising legs and outriggers are all manufactured from 6mm thick steel. All GMLs are fitted with locking castors which can be locked for in-line steering.

All GMLs are fitted with locking castors which can be locked for in-line steering

The GML800+ series is unique in that the stabilising legs can be used not only in the front of the machine, but can easily be installed at the back (with counterweights).

This enables the unit to work directly up against a wall or glass façade etc ensuring the load centre remains close to the mast. In addition, with the legs to the back the unit becomes easier to manoeuvre.

The GML800+ is available with a range of electrically operated accessories such as vacuum lifters and an electrically operated telescopic boom which enables precision placement of materials when working on site.

Mast system with special profiles and bearings



Heavy duty rollers, cable and components



Safety brakes fitted on both sides



### AC series:



**GML** stands for Glass and Material Lift. The number **800** describes the safe working load (SWL) of the model with the largest working height. The **+** sign indicates that models with a higher SWL are available.

**Example: GML800+ 20/K AC**

Further numbers and letters identify the exact type:

The numbers 10, 15, **20** or 25 give you the approximate working height in feet of each model. The letter **K** tells you that the lift is a counterweight model and **AC** stands for the mast system drive which is operated by a 230v/110V electric winch.

The illustrated **GML800+ /20 K AC** achieves a lifting height of 6.50 m. It is supplied with adjustable stabilisers which are fitted as standard on the GML800+ 20 and 25 models.

The adjustable stabilisers provide a higher level of stability when working at greater heights and are available as an option on the GML800+ 10 and 15 models.

Adjustable forks are fitted as standard on all GML models with other load handling attachments available as accessories.

### DC series:



**Example: GML800+ 25/K DC**

The DC models are supplied with a detachable, self contained trolley which houses the batteries, charger and counterweights. Attaching and detaching the battery trolley is simplicity itself. Just tilt the trolley backwards, push it on to the two slide-on guides on the stabilising legs and secure with the two locking pins.

We estimate that under normal working conditions a full charge should be sufficient for a standard working days operation.

Obviously factors such as weight and lift cycles come into play however, it is possible to charge the batteries whilst the lift is in operation. The battery pack is fitted with a battery condition indicator and the charger is self seeking either 110v or 230v.

### M series



**Example: GML800+ 10/Std M**

Std stand for 'standard' which indicates a model without counterweights (stabilising legs forward facing). The M stands for manual winch. The 10 is the smallest model in the GML range with the highest safe working load of 900 kg up to 3.50 m.

The length of the handle can be increased to make lifting heavier loads easier.

**Systematic working - the Wienold GML makes it possible!**



# Wienold Glass- und Material Lift GML 800+

Powerful and versatile.



The GML800+ is designed with several variants for maximum versatility.

## Two set up options:

1. **Std:** Standard model  
Forward facing stabilising legs. No counterweights required.
2. **K:** Counterweight model  
Stabilising legs positioned at the back. Counterweights required.  
Using stabilising legs forward facing is also possible.

## Three drive variants:

1. **AC:** mains operated electric winch ~230/110V
2. **DC:** battery operated electric winch 24V
3. **M:** manual worm gear

## Four lifting heights:

1. **10s:** 3,50 m lifting height with 900 kg SWL.
2. **15s:** 5,00 m lifting height with 850 kg SWL.
3. **20s:** 6,50 m lifting height with 850 kg SWL.
4. **25s:** 7,90 m lifting height with 800 kg SWL.

A variety of accessories are available to complement the GML range.

The powered units can operate glass manipulators, telescopic booms and winches. By using the gearbox the which can be operated with a Cordless screwdriver or drill if a manual GML is being used.

Adjustable crane booms, fork extensions and adjustable pallet forks (short and long) are other options available.

The GML800+ offers exceptional safe working loads at a range of heights and enables comfortable, effortless, precise, quick and safe operation.





M series (manual worm gear winch)	GML800+/10/M	GML800+/15/M	GML800+/20/M	GML800+/25/M
Lifting height - Standard forks up:	3.50 m	5,00 m	6.50 m	7.90 m
Transport position - Height/Length/Width:	1.98/1.00/0.78 m	1.98/1.00/0.78 m	1.98/1.00/0.78 m	1.98/1.00/0.78 m
Working position - Height/Length/Width:	1.98/1.94*/0.78 m	1.98/1.94*/0.78 m	1.98/1.94*/0.78 m	1.98/1.94*/0.78 m
Safe working load (Load centre at 28 cm)**:	900 kg	850 kg	850 kg	800 kg
Weight of chassis + outrigger:	237 kg	260 kg	293 kg	316 kg
Weight of counterweights + box:	207 kg	207 kg	207 kg	207 kg

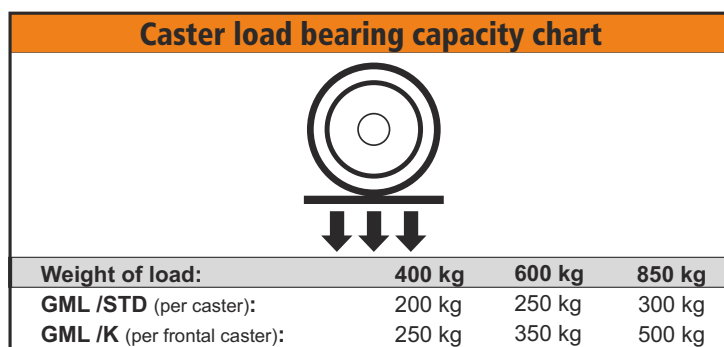
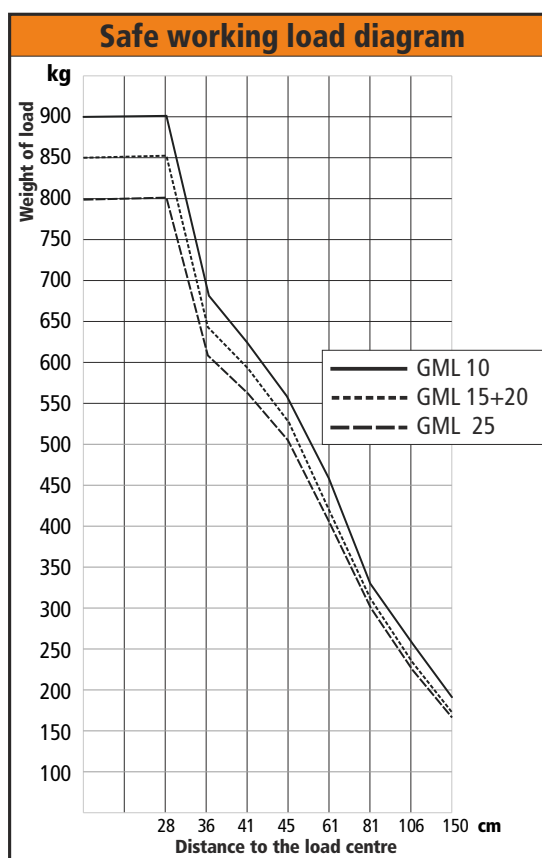
\* Stabilising legs positioned at the back. Stabilising legs forward facing: 1.99 m \*\* Without loading accessory.

AC series (~230V)	GML800+/10/AC	GML800+/15/AC	GML800+/20/AC	GML800+/25AC
Lifting height - Standard forks up:	3,50 m	5,00 m	6,50 m	7,90 m
Transport position - Height/Length/Width:	1,98/1,00/0,78 m	1,98/1,00/0,78 m	1,98/1,00/0,78 m	1,98/1,00/0,78 m
Working position - Height/Length/Width:	1,98/1,94*/0,78 m	1,98/1,94*/0,78 m	1,98/1,94*/0,78 m	1,98/1,94*/0,78 m
Safe working load (Load centre at 28 cm)**:	900 kg	850 kg	850 kg	800 kg
Weight of chassis + outrigger:	273 kg	296 kg	329 kg	352 kg
Weight of counterweights + box:	207 kg	207 kg	207 kg	207 kg
Drive: AC	Electric Winch: ~230 V / 110 V			

\* Stabilising legs positioned at the back. Stabilising legs forward facing: 1.99 m \*\* Without loading accessory.

DC series (24V7Batteries)	GML800+/10/DC	GML800+/15/DC	GML800+/20/DC	GML800+/25DC
Lifting height - Standard forks up:	3,50 m	5,00 m	6,50 m	7,90 m
Transport position - Height/Length/Width:	1,98/1,00/0,78 m	1,98/1,00/0,78 m	1,98/1,00/0,78 m	1,98/1,00/0,78 m
Working position - Height/Length/Width:	1,98/1,94*/0,78 m	1,98/1,94*/0,78 m	1,98/1,94*/0,78 m	1,98/1,94*/0,78 m
Safe working load (Load centre at 28 cm)**:	900 kg	850 kg	850 kg	800 kg
Weight of chassis + outrigger:	273 kg	296 kg	329 kg	352 kg
Weight of battery wagon (counterweights incl.):	213 kg	213 kg	213 kg	213 kg
Drive: DC	2x 12 V / 105 AH. Charger: ~230V /110V			

\* Stabilising legs positioned at the back. Stabilising legs forward facing: 1.99 m \*\* Without loading accessory.



### Load centre chart

	28 cm	36 cm	41 cm	45 cm	61 cm	81 cm	106 cm	150 cm
GML 10	900 kg	684 kg	629 kg	566 kg	452 kg	334 kg	253 kg	189 kg
GML 15	850 kg	646 kg	594 kg	534 kg	427 kg	315 kg	239 kg	179 kg
GML 20	850 kg	608 kg	561 kg	507 kg	407 kg	300 kg	230 kg	171 kg
GML 25	800 kg	608 kg	561 kg	507 kg	407 kg	300 kg	230 kg	171 kg

# Wienold SLK

SUPERLIFT with COUNTERBALANCE WEIGHTS



WienoldLIFTE  
Genie  
stage

Norbert  
Wienold GmbH  
Material- und Personalität





## SLK: Strong and proven.

A lift from the start. The Superlift with counterbalance weights is one of our first in-house developments. Robust and vigorous the Superlift put his skills to the best while working with heavy loads, for exhibition, installation of façades, windows, heating and ventilation, and more.

The Wienold Superlift with counterbalance weights is an excellent helper to raise loads over obstacles, directly to walls, or to levels above.

For this, the outriggers of the SLK are aligned to the rear and arranged lifting accessories front. In order to obtain the safe working load of a maximum of 450 kgs, a weight-box with 8 counterweights is attached on the rear end. Thus, the lift is safe and stable when deployed over 6.50 m. With Models 20 and 25 separate lateral outriggers are needed at a working height from 5.00 m.

To offer optimum handling characteristics the SLK is equipped with four large swivel castors with integrated brake. The lateral outriggers (Models 20 and 25) are also steerable.

To meet your needs the SLK is available in five different versions. Available with working heights from 2.00 up to 7.90 m. Depending on the model, the payloads vary between 300 and 450 kg.

Included are: Chassis with 2 transport wheels, two large casters with brakes and two foldable outriggers also with two large steering wheels and parking brake.

Furthermore, the Superlift has a high quality Genie mast system with rope break protection, 1-gear winch, adjustable loading assistance, a weight box with eight counterweights of 16 kgs each and a standard fork. Models SLK 20 and 25 including two additional lateral outriggers with small castors supplied.

Ideal complement to the Superlift are our vacuum lifters. They are perfectly adapted to the carriage of our lifts. Perfect to assemble heavy disks or windscreens and large panels with a smooth surface easily. Working quickly, easily and without physical exertion - no problem by using the Wienold SLK.



Technical Data	SLK-5	SLK-10	SLK-15	SLK-20	SLK-25
Lifting height - Standard forks up:	2,00 m	3,50 m	5,00 m	6,50 m	7,90 m
Height - stowed:	2,04 m	2,04 m	2,04 m	2,04 m	2,04 m
Length - stowed:	0,90 m	0,90 m	0,90 m	0,96 m	1,02 m
- Working position:	1,50 m	1,50 m	1,80 m	2,22 m	2,22 m
Width - stowed:	0,80 m	0,80 m	0,80 m	0,80 m	0,80 m
- Working position (without/with lateral outriggers):	0,80 m	0,80 m	0,80 m	0,80/2,20 m	0,80/2,20 m
Ground clearance - working position:	0,08 m	0,08 m	0,08 m	0,08 m	0,08 m
Loading height min.:	0,27 m	0,27 m	0,27 m	0,27 m	0,27 m
Pay load:	450 kg	450 kg	360 kg	360 kg	300 kg
Weight basic chassis:	98 kg	118 kg	144 kg	184 kg	204 kg
Weight counterbalance weights (8x16 kg):	128 kg	128 kg	128 kg	128 kg	128 kg







The WLU PREMIUM is the logical development of our versatile WLU.

The WLU-P is significantly stronger and become a little smaller. From 1.96m to 1.68m in transport position. Thus, the WLU Premium also fits into station wagons, to make transportation more comfortable.

Forces of the default premium have risen properly. Compared to the base of the WLU, WLU Premium offers 150kgs more payload. Up to 4.00m working height 400kgs safe working load are possible. At the maximum working height of 5.15m the premium braces stately 360kgs.

The WLU Premium is extremely variable for several applications by using different outrigger. Combine the lift you need: with the premium chassis and three outrigger sets. Get more flexibility - as required by the labor, or depending to local conditions.

The chassis is made of solid steel. The mast system is build of proven Genie aluminum units - to bring up loads safely to heights of 1.70m to max. 5.15m.

The WLU Premium is designed to carry in transport position all needed the components, directly to the lift. This is likely to forgetfulness of components, and related downtimes at construction sites, reduce accordingly.

To set the WLU Premium in working position, you don't need any tools. Outrigger, weight box, etc. are fixed simply by spring bolt on the chassis. The conversion of the lift is accordingly quick and easy performed by the outrigger sets.

This keeps you flexible by a short return on investment. A WLU Premium, including outrigger sets, can replace the purchase of three standard lifts.

Multipurpose Chassis



... used for WLU/L Premium



... and WLU/K Premium



... and WLU/Ks Premium



# WienoldLift Universal PREMIUM

WLU /L: Long outrigger in front. No counterweights.



Owing to its small dimensions the WLU Premium can travel anywhere, in a versatile car, a small transporter and in a delivery van.



## Wienold Lift Universal L PREMIUM

### The basic version:

Two long outriggers in front and a T-outrigger on the back. This variant, among other things, is ideal for work and assemblies directly at walls and ceilings, i.e.: heating installations, ventilation, air conditions and building of fairs. In combination with a window pane jack this model facilitates the installation of heavy panes, i.e.: when inserting panes into winter gardens.



Technical Data	WLU-P /L PREMIUM 1.7	WLU-P /L PREMIUM 2.8	WLU-P /L PREMIUM 4.0	WLU-P /L PREMIUM 5.1
Lifting height - standard fork up:	1,70 m	2,85 m	4,00 m	5,15 m
- standard fork down:	1,31 m	2,46 m	3,60 m	4,76 m
- adjustable fork up:	1,70 m	2,85 m	4,00 m	5,15 m
- adjustable fork down:	1,31 m	2,46 m	3,60 m	4,76 m
- crane outrigger	1,60 m	2,75 m	3,90 m	5,06 m
Stowed - height:	1,68 m	1,68 m	1,68 m	1,68 m
- length:	0,63 m	0,63 m	0,63 m	0,63 m
- width:	0,50 m	0,50 m	0,50 m	0,50 m
Working position - height:	1,74 m	1,74 m	1,74 m	1,74 m
- length:	1,77 m	1,77 m	1,77 m	1,77 m
- width:	0,75 m	0,75 m	0,75 m	0,75 m
- ground clearance:	0,05 m	0,05 m	0,05 m	0,05 m
Loading height min.:	0,37 m	0,37 m	0,37 m	0,37 m
Pay load:	400 kg	400 kg	400 kg	360 kg
Weight (without outriggers etc.):	97 kg	113 kg	129 kg	145 kg
Weight outriggers:	34 kg	34 kg	34 kg	34 kg





In the photography of all these slides the lift was built with the same basic chassis. The different appearances is resulting by using different outriggers, weight boxes and accessories only.



**The long Counterbalancer:**

If you have to lift loads frontally, i.e.: at walls, over obstacles, then simply change the outriggers: short T-outrigger from back to front, the two long outriggers from front to back. Lastly attach the weight box - job done. With a crane outrigger plus vacuum jack the assembly of heavy window panes and plates with smooth surface is also no problem.

**Wienold Lift Universal K PREMIUM**



Technical Data	WLU-P /K PREMIUM 1.7	WLU-P /K PREMIUM 2.8	WLU-P /K PREMIUM 4.0	WLU-P /K PREMIUM 5.1
Lifting height - standard fork up:	1,70 m	2,85 m	4,00 m	5,15 m
- standard fork down:	1,31 m	2,46 m	3,60 m	4,76 m
- adjustable fork up:	1,70 m	2,85 m	4,00 m	5,15 m
- adjustable fork down:	1,31 m	2,46 m	3,60 m	4,76 m
- crane ourigger	1,60 m	2,75 m	3,90 m	5,06 m
Stowed - height:	1,68 m	1,68 m	1,68 m	1,68 m
- length:	0,63 m	0,63 m	0,63 m	0,63 m
- width:	0,50 m	0,50 m	0,50 m	0,50 m
Working position - height:	1,74 m	1,74 m	1,74 m	1,74 m
- length:	1,77 m	1,77 m	1,77 m	1,77 m
- width:	0,75 m	0,75 m	0,75 m	0,75 m
- ground clearance:	0,05 m	0,05 m	0,05 m	0,05 m
Loading height min.:	0,37 m	0,37 m	0,37 m	0,37 m
Pay load:	400 kg	400 kg	400 kg	360 kg
Weight (without outriggers etc.):	97 kg	113 kg	129 kg	145 kg
Weight outriggers:	34 kg	34 kg	34 kg	34 kg
Counterbalance weights (6x 16kg):	96 kg	96 kg	96 kg	96 kg



**Small strong aide:** The WLU PREMIUM short version in its working position requires less space without losing any pay load.



## Wienold Lift Universal Ks PREMIUM

### The short counterbalancer:

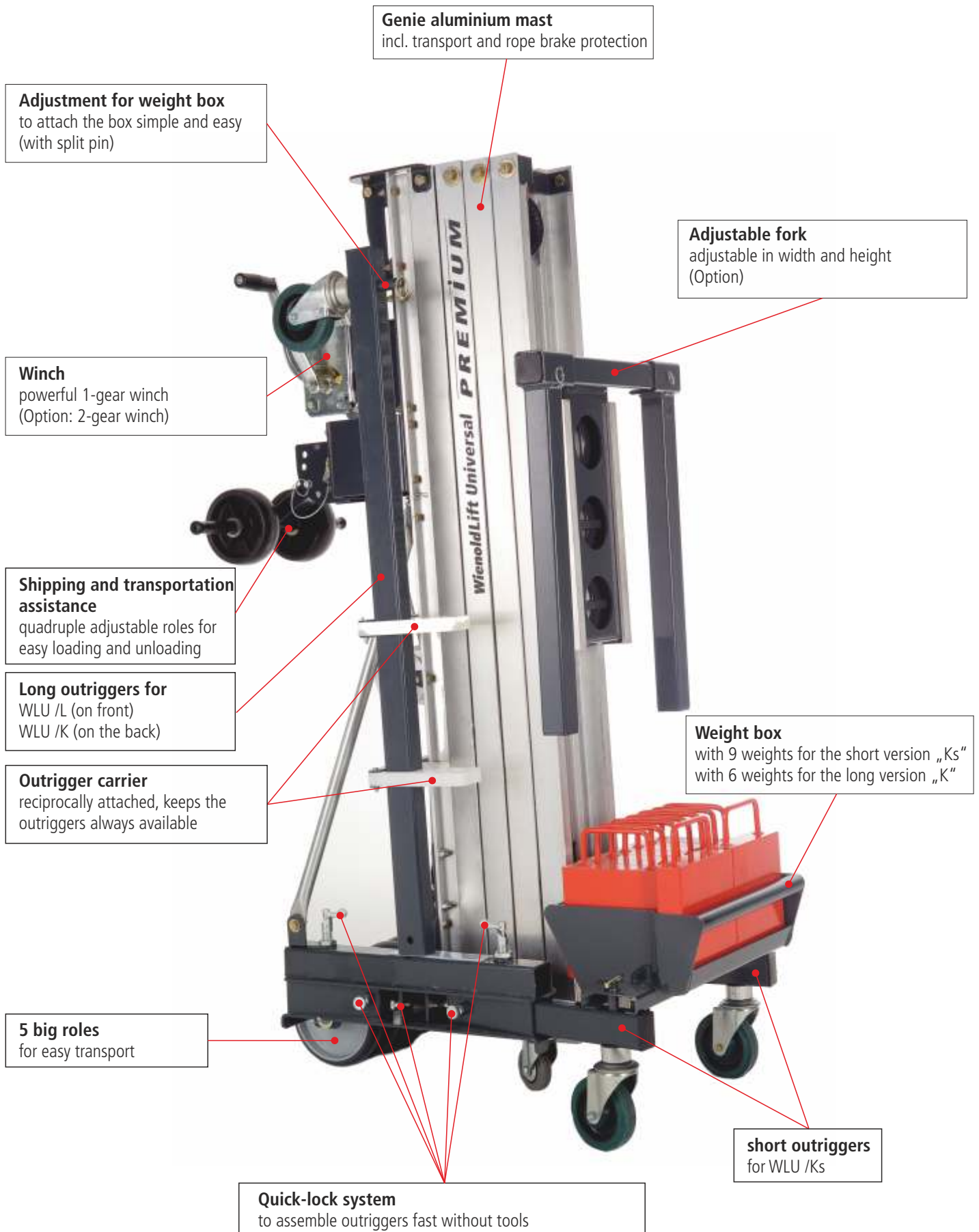
Everywhere where you find restricted space conditions it is favourably to equip the PREMIUM with short outriggers on both sides. Thus a utility space of only 1,06 x 0,75 m is sufficient. The nine counterbalance weights ensure a pay load of 400 kg also for the short version. So the „Shorty“ will be a strong colleague on your side.



Technical Data	WLU-P /Ks PREMIUM 1.7	WLU-P /Ks PREMIUM 2.8	WLU-P /Ks PREMIUM 4.0	WLU-P /Ks PREMIUM 5.1
Lifting height - standard fork up:	1,70 m	2,85 m	4,00 m	5,15 m
- standard fork down:	1,31 m	2,46 m	3,60 m	4,76 m
- adjustable fork up:	1,70 m	2,85 m	4,00 m	5,15 m
- adjustable fork down:	1,31 m	2,46 m	3,60 m	4,76 m
- crane ourigger	1,60 m	2,75 m	3,90 m	5,06 m
Stowed - height:	1,68 m	1,68 m	1,68 m	1,68 m
- length:	0,63 m	0,63 m	0,63 m	0,63 m
- width:	0,50 m	0,50 m	0,50 m	0,50 m
Working position - height:	1,74 m	1,74 m	1,74 m	1,74 m
- length:	1,06 m	1,06 m	1,06 m	1,06 m
- width:	0,75 m	0,75 m	0,75 m	0,75 m
- ground clearance:	0,05 m	0,05 m	0,05 m	0,05 m
Loading height min.:	0,37 m	0,37 m	0,37 m	0,37 m
Pay load:	400 kg	400 kg	400 kg	360 kg
Weight (without outriggers etc.):	97 kg	113 kg	129 kg	145 kg
Weight outriggers:	26 kg	26 kg	26 kg	26 kg
Counterbalance weights (9x 16kg):	144 kg	144 kg	144 kg	144 kg



Combine your needed lift fast and always without using any tools.



# Wienold WL Std

WIENOLD LIFT STANDARD







The Wienold Lift Universal WLU has changed to Wienold Lift WL.

The WLU is now equipped with new profiles thus the model range is added with a WL /5 with 2.10 m lifting height. The well know WLU Premium remains non-changed, because the profiles are used from the early beginning.

The WL is using the patented multifunction chassis, so that the new version is also providing three body variants. By simply changing the outrigger on the chassis you are able to configure the lift to your needs.

The WL's are equipped with a mounting jack, so that the lift can be set up easily and without tools by one person.

The basic chassis is the basis of all body variants.

To set up a WL-Std a T-frame and two long outriggers are required. In order to build the version with forward mounted outriggers .

In order to work directly on walls, the long outrigger must be aligned to the rear. This is simply done by changing the positions of outrigger and T chassis. To get the payload obtained, a box with 6 counterweights is mounted to the rear.

A second T-chassis is necessary for preparing the lift to work space saving. For obtaining the payload of the „Shorty“, the number of counterweights increased to 9.

**Basic chassis**  
basis for all WL models



**WL-Std**  
standard without counterweights



**WL-K**  
with counterweights



**WL-Ks**  
Shorty with counterweights



# Wienold Lift Standard WL Std

High flexibility.

We have listened and understood, how to improve the working conditions for our customers.

- ✓ Attracting more variability and variety of applications in the lifts: Managed by multifunctional chassis and 3 assembly variants.
- ✓ Creating easy working with optimum characteristics: Ensured by compact dimensions, swivel castors and versatility.
- ✓ Convincing with easy handling: Guaranteed by compact design and tool-free assembly .
- ✓ Creating more comfort by the lift assembly: Perfectly solved by integration of a lift jack.
- ✓ Allowing the work in narrow corridors: Implemented with narrow chassis with short outriggers.
- ✓ Provide versatility for different requirements: Achieved by variability and practical load handling attachments.
- ✓ Reduce space requirements during transport and storage: Reduced to a minimum by the modular system.
- ✓ Lifting high payload in a confined space at different heights: Feasible by mast systems of 2.10 m to 6.50 m working height.

### Versatility by combining:

With only one basic chassis and the fitting outrigger-sets you build three different lifts.

### Patented system:

The multifunctional chassis is registered to the Norbert Wienold GmbH at the German Patent and Trademark Office.



### Basic components (all models):

- **Basic-Chassis** (5 great, 2 small transport caster)
- **1-Gear Winch**
- **Rope break protection**
- **Lifting/Assembly Jack** (for 1-Man assembly)
- **Quick-Lock** (fixing the outriggers)
- **Outrigger Carrier** (for space saving storage)
- **Shipping Assistance** (for better handling)
- **Loading aid** (for several loads)



The **WL /Std** is the standard version of the WL-Series. Founded of our 25 years experience, we integrated a lot of customer suggestions into the system - to provide you a wide range of flexibility.

#### WL /Std:

- 1 Basic Chassis
- 1 short T-frame (incl. 200 Swivel caster)
- 2 long outrigger (incl. 125mm Swivel caster)



The **WL /K** is aligned with the long outriggers in backwards position, 6 counterbalance weights, incl. Box. By changing the outrigger and removing the weights, the WL-K changes into the WL-Std.

#### WL /K

- 1 Basic Chassis
- 1 short T-frame (incl. 200 Swivel caster)
- 2 long Outrigger (incl. 125mm Swivel caster)
- Additional need:
- 1 Box with 3 counterweights** (16 kgs each)



The **WL /Ks** - called Shorty - is aligned with two T-frames and 9 counterbalance weights with box. That's all you need to build the Shorty out of the WLU /K.

#### WL /Ks Shorty

- 1 Basic Chassis
- 1 short T-frame (incl. 200 Swivel caster)
- 2 long Outrigger (incl. 125mm Swivel caster)
- Additional need:
- 2nd short Outrigger** (incl. 125mm Swivel caster)
- 1 Box with 7 balanceweights** (16 kgs each)



	WL-Std Standardausführung				WL-K mit 6 Kontergewichten				WL-Ks "Shorty" mit 9 Kontergewichten			
												
Modell	WL L 5	WL L 10	WL L 15	WL L 20	WL K 5	WL K 10	WL K 15	WL K 20	WL Ks 5	WL Ks 10	WL Ks 15	WL Ks 20
Lifting height - standard fork up:	2,10 m	3,55 m	5,00 m	6,50 m	2,10 m	3,55 m	5,00 m	6,50 m	2,10 m	3,55 m	5,00 m	6,50 m
- standard fork down:	1,60 m	3,05 m	4,50 m	6,00 m	1,60 m	3,05 m	4,50 m	6,00 m	1,60 m	3,05 m	4,50 m	6,00 m
- adjustable fork up:	2,15 m	3,55 m	5,05 m	6,55 m	2,15 m	3,55 m	5,05 m	6,55 m	2,15 m	3,55 m	5,05 m	6,55 m
- adjustable fork down:	1,60 m	3,05 m	4,50 m	6,00 m	1,60 m	3,05 m	4,50 m	6,00 m	1,60 m	3,05 m	4,50 m	6,00 m
- crane outrigger	1,90 m	3,35 m	4,90 m	6,35 m	1,90 m	3,35 m	4,90 m	6,35 m	1,90 m	3,35 m	4,90 m	6,35 m
Stowed - height:	2,03 m	2,03 m	2,03 m	2,03 m	2,03 m	2,03 m	2,03 m	2,03 m	2,03 m	2,03 m	2,03 m	2,03 m
- length:	0,63 m	0,63 m	0,63 m	0,63 m	0,63 m	0,63 m	0,63 m	0,63 m	0,63 m	0,63 m	0,63 m	0,63 m
- width:	0,50 m	0,50 m	0,50 m	0,50 m	0,50 m	0,50 m	0,50 m	0,50 m	0,50 m	0,50 m	0,50 m	0,50 m
Working position - height:	2,09 m	2,09 m	2,09 m	2,09 m	2,09 m	2,09 m	2,09 m	2,09 m	2,09 m	2,09 m	2,09 m	2,09 m
- length:	1,85 m	1,85 m	1,77 m	1,85 m	1,85 m	1,85 m	1,85 m	1,85 m	1,16 m	1,16 m	1,16 m	1,16 m
- width:	0,79 m	0,79 m	0,79 m	0,79 m	0,79 m	0,79 m	0,79 m	1,70 m*	0,75 m	0,75 m	0,75 m	0,75 m
- ground clearance:	0,05 m	0,05 m	0,05 m	0,05 m	0,05 m	0,05 m	0,05 m	0,05 m	0,05 m	0,05 m	0,05 m	0,05 m
Loading height min.:	0,39 m	0,39 m	0,39 m	0,31 m	0,39 m	0,39 m	0,39 m	0,39 m	0,39 m	0,39 m	0,39 m	0,39 m
Pay load (loadcenter: 36 cm):	360 kg	360 kg	360 kg	300 kg	360 kg	360 kg	360 kg	300 kg	360 kg	360 kg	360 kg	300 kg
Weight: (without outriggers etc.)	102 kg	120 kg	138 kg	156 kg	102 kg	120 kg	138 kg	156 kg	102 kg	120 kg	138 kg	156 kg
Weight outriggers:	20 kg	20 kg	20 kg	20 kg	20 kg	20 kg	20 kg	30 kg*	--	--	--	--
Counterbalance weights (3x bzw. 7x16 kgs):	--	--	--	--	96 kg	96 kg	96 kg	96 kg	144 kg	144 kg	144 kg	144 kg

Patented system: The multifunctional chassis is a registered on the Norbert Wienold GmbH at the German Patent and Trademark Office.









The PanelLift is the ideal tool by working with drywalls in the processing of plasterboards. Only one person is able to screw the plates to slopes, ceilings and walls - without a helping hand.

The operation of the PanelLifts is very easy. The plates are taken up via the special tilting carriage and adjustable outriggers on both sides.

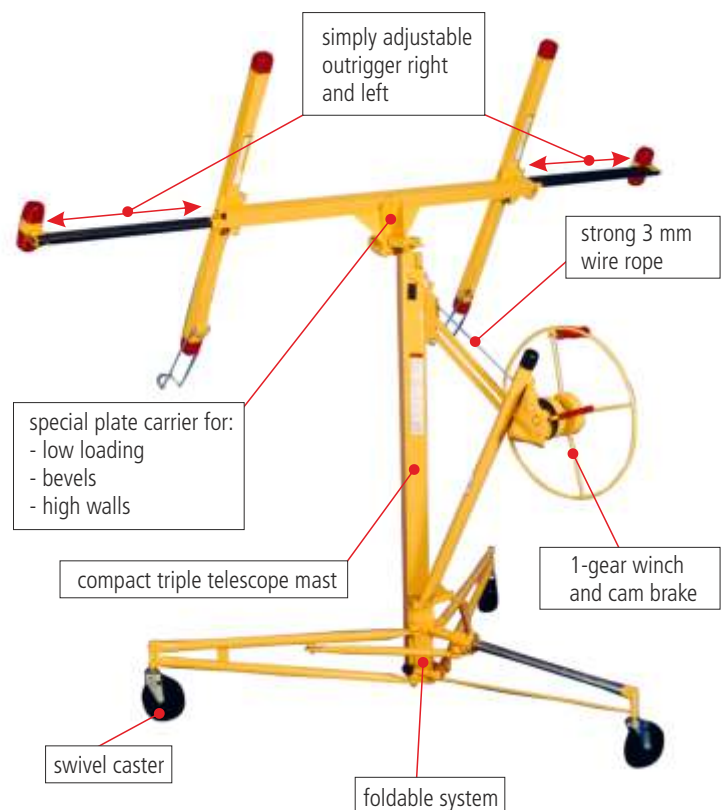
Dry wall plates are detained by the mounting brackets. That enables also the cutting directly at the lift. The precise positioning of plates is easily done by the 1-gear winch with the large steering.

The brake prevents rolling of the lift during the screwing. Thus, the processing of plasterboard is becoming easily and without physical effort.

The telescopic mast system allows the alignment of the plates to 3.55m ceiling height. With an optional telescopic extension 4.56 m can be reached. The mast is equipped with a 3mm thick steel wire rope, developed by aviation industry. That guarantees high stability.

The PanelLift has a foldable tripod with caster wheels, so it can be pushed easily. In fact of the compact dimensions, the Panellift fits through narrow doors.

Dismantled the Panellift can be transported in the trunk of a car.



Technical Data:	Panellift 138-2
Lifting height max.:	3,55 m
Loading height:	86 cm
Plate measures max.:	1,25 x 3,75 m
Pay load:	68 kg
Weight:	45 kg

# Wienold Accessories

ACCESSORIES for MATERIAL LIFTS







### Glass vacuum lifter.

We offer various vacuum attachments for the GML800+ with a dual circuit system which conforms to EN13155. These can be used for lifting not only glass but also non-porous materials such as stone, metal and plastic sheets.

The vacuum lifters are available in various designs with different SWLs



#### Sling vacuum lifter G2-12V

The suction pads of the sling vacuum lifter can be positioned in pairs anywhere on the pane.

The SWL is 300 kg.

Suitable for the installation of facade panes, windows and doors.



#### Windowpane lifter DSKE2-12V

Can be used as either 4 or 6 in line or 4 and 2. Includes a lowering cylinder.

SWL is 450 kg.

Suitable for the installation of facade panes, conservatories and canopies.



#### Automotive jack DSK2-12V

6 suction pads in 2 rows.

SWL: 250 kg (interior area)

150 kg (exterior area)

Suitable for the installation of facade panes, conservatories, canopies, lorry and bus windscreens and curved panes.

### Boom and fork attachments.

We offer a comprehensive range of telescopic booms and adjustable forks to suit your application. This includes e.g. manual and electric crane booms, various lifting forks and more.

#### Crane booms

The manual crane booms can be extended from 30 cm to a maximum length of 1.07 m in 3 steps.



The electric telescopic boom (ETB) can be extended at the touch of a button. The ETB extends from 42 to 62 cm. The EMTB has an additional 20 cm of manual adjustment to offer lengths of 62 to 82 cm.



#### Fork attachments

Standard forks

- adjustable width
- integrated fork extensions
- forks fold for storage



#### Pallet forks

Our exceptionally strong pallet forks are easily adjustable to different widths to enable the lifting of various load sizes.





### Manuelle und elektrische Lastaufnahmen.

Viele Lastaufnahmen unseres Zubehörsortiments sind elektrisch und fernbedienbar.

Größtenteils sind die Kapazitäten der Lastaufnahmen auf die maximale Nutzlast unserer Lifte ausgelegt.



Beachten Sie bitte die Nutzlastangaben auf den Materialliften und überschreiten Sie sie nicht - auch wenn das Anbaugerät mehr Gewicht tragen kann.

Weitere Lastaufnahmen auf Anfrage.

#### Manuelle Kranausleger MTB

Die manuellen Kranausleger sind 30 cm lang und in 3 Stufen bis auf max. 62 cm teleskopierbar. Die Spezialausführung erreicht eine Länge von max. 1,07m.

#### Elektrische Kranausleger EMTB

Die elektrischen Kranausleger werden per Kabelfernbedienung gesteuert. Sie sind stufenlos ausfahrbar:

ETB: von 42 - 62 cm

EMTB: + 20 cm manuell

= ausfahrbar von 62 - 82 cm

#### Elektrische Anhängwinde

Elektrische Winde zum Anhängen an einen Kranausleger. Empfänger und kabellose Fernbedienung im Lieferumfang enthalten

#### Lastgabeln

Für viele Zwecke die richtige Lastgabel, z.B.:

- in der Breite einstellbar
- nach oben/unten klappbar
- mit integrierter Gabelverlängerung

#### Palettengabel für GML

Starke Palettengabel mit der sich ein GML in einen Gabelstapler verwandelt. Die Zinken sind stufenweise in der Breite einstellbar.





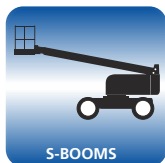


**Norbert Wienold GmbH**  
**Material- und Personenlifte**

Industriegebiet Waldstr. 35 a  
D-48488 Emsbüren  
Germany

Phone +49 59 03 - 93 94-0  
Fax +49 59 03 - 93 94-50  
eMail: info@wienold-lifte.de

**Wienold** -LIFTE .de



Technical changes, errors and misprint reserved. 04/16

Authorized Distributor:



**Rental Stations\*:** München | Frankfurt | Leverkusen | Walsrode | Brandenburg | Emsbüren

\*Only aluminium lifts.