

L3070 Rev. F 03/17

Index:

English.....	1-9
Français.....	10-18
Deutsch.....	19-27
Italiano.....	28-36
Español.....	37-45
Nederlands.....	46-54
Portuguese.....	55-63
中文.....	64-71
日本語.....	72-79
Finnish.....	80-88
Norwegian.....	89-97
Svenska.....	98-106
Russian.....	107-115
Greek.....	116-125
Polish.....	126-135

Repair Parts Sheets for this product are available from the Enerpac web site at www.enerpac.com, or from your nearest Enerpac Authorized Service Center or Enerpac Sales office.

1.0 IMPORTANT RECEIVING INSTRUCTIONS

Visually inspect all components for shipping damage. Shipping damage is **not** covered by warranty. If shipping damage is found, notify carrier at once. The carrier is responsible for all repair and replacement costs resulting from damage in shipment.

SAFETY FIRST

2.0 SAFETY ISSUES



Read all instructions, warnings and cautions carefully. Follow all safety

precautions to avoid personal injury or property damage during system operation. Enerpac cannot be responsible for damage or injury resulting from unsafe product use, lack of maintenance or incorrect product and/or system operation. Contact Enerpac when in doubt as to the safety precautions and operations. If you have never been trained on high-pressure hydraulic safety, consult your distribution or service center for a free Enerpac Hydraulic safety course.

Failure to comply with the following cautions and warnings could cause equipment damage and personal injury.

A **CAUTION** is used to indicate correct operating or maintenance procedures and practices to prevent damage to, or destruction of equipment or other property.

A **WARNING** indicates a potential danger that requires correct procedures or practices to avoid personal injury.

A **DANGER** is only used when your action or lack of action may cause serious injury or even death.



WARNING: Wear proper personal protective gear when operating hydraulic equipment.



WARNING: Stay clear of loads supported by hydraulics. A cylinder, when used as a load lifting device, should never be used as a load holding device. After the load has been raised or lowered, it must always be blocked mechanically.



WARNING: USE ONLY RIGID PIECES TO HOLD LOADS. Carefully select steel or wood blocks that are capable of supporting the load. Never use a hydraulic cylinder as a shim or spacer in any lifting or pressing application.



DANGER: To avoid personal injury keep hands and feet away from cylinder and workpiece during operation.



WARNING: Do not exceed equipment ratings. Never attempt to lift a load weighing more than the capacity of the cylinder. Overloading causes equipment failure and possible personal injury. The cylinders are designed for a max. pressure of 700 bar [10,000 psi]. Do not connect a jack or cylinder to a pump with a higher pressure rating.



WARNING: Never set the relief valve pressure above 10,500 psi [725 bar]. Serious personal injury could result if this maximum limit is exceeded. Damage to pump and components may also occur.



WARNING: The system operating pressure must not exceed the pressure rating of the lowest rated component in the system. Install pressure gauges in the system to monitor operating pressure. It is your window to what is happening in the system.



CAUTION: Avoid damaging hydraulic hose. Avoid sharp bends and kinks when routing hydraulic hoses. Using a bent or kinked hose will cause severe back-pressure. Sharp bends and kinks will internally damage the hose leading to premature hose failure.



Do not drop heavy objects on hose. A sharp impact may cause internal damage to hose wire strands. Applying pressure to a damaged hose may cause it to rupture.



IMPORTANT: Do not lift hydraulic equipment by the hoses or swivel couplers. Use the pump lifting/transport handle or other means of safe transport.



CAUTION: Keep hydraulic equipment away from flames and heat. Excessive heat will soften packings and seals, resulting in fluid leaks. Heat also weakens hose materials and packings. For optimum performance do not expose equipment to temperatures of 150° F [65° C] or higher. Protect hoses and cylinders from weld spatter.



DANGER: Do not handle pressurized hoses. Escaping oil under pressure can penetrate the skin, causing serious injury. If oil is injected under the skin, see a doctor immediately.



WARNING: Only use hydraulic cylinders in a coupled system. Never use a cylinder with unconnected couplers. If the cylinder becomes extremely overloaded, components can fail catastrophically causing severe personal injury.



WARNING: BE SURE SETUP IS STABLE BEFORE LIFTING LOAD. Cylinders should be placed on a flat surface that can support the load. Where applicable, use a cylinder base for added stability. Do not weld or otherwise modify the cylinder to attach a base or other support.



Avoid situations where loads are not directly centered on the cylinder plunger. Off-center loads produce considerable strain on cylinders and plungers. In addition, the load may slip or fall, causing potentially dangerous results.



Distribute the load evenly across the entire saddle surface. Always use a saddle to protect the plunger.



IMPORTANT: Hydraulic equipment must only be serviced by a qualified hydraulic technician. For repair service, contact the Authorized ENERPAC Service Center in your area. To protect your warranty, use only ENERPAC oil.



WARNING: Immediately replace worn or damaged parts with genuine ENERPAC parts. Standard grade parts will break causing personal injury and property damage. ENERPAC parts are designed to fit properly and withstand high loads.



CAUTION: Always use the pump lifting/transport handle to carry the pump. Carrying the pump by the hose may damage the hose and/or the pump.

3.0 PRODUCT INFORMATION

Table 1, Specifications - ULTIMA Series Hand Pumps

Pump Model	Pump Type (Speed)	Max. Pressure Rating psi [bar]		Oil Volume Per Stroke in ³ [cm ³]		Usable Oil Capacity in ³ [cm ³]	Weight With Oil lbs [kg]	Max. Handle Effort lbs [kg]
		Stage 1	Stage 2	Stage 1	Stage 2			
P-18	1	—	2850 [200]	—	0.15 [2.46]	22 [360]	11.0 [5.2]	34 [16]
P-39	1	—	10,000 [700]	—	0.15 [2.46]	47 [769]	13.6 [6.2]	85 [38]
P-77	2	500 [34]	10,000 [700]	1.00 [16.38]	0.15 [2.46]	47 [769]	15.6 [7.1]	88 [40]
P-80	2	500 [34]	10,000 [700]	1.00 [16.38]	0.15 [2.46]	134 [2195]	23.6 [10.7]	77 [35]
P-801	2	500 [34]	10,000 [700]	1.00 [16.38]	0.15 [2.46]	250 [4095]	31.0 [14.0]	77 [35]
P-84	2	500 [34]	10,000 [700]	1.00 [16.38]	0.15 [2.46]	134 [2195]	26.0 [11.7]	77 [35]

Table 2, Features and Major Components - ULTIMA Series Hand Pumps

Item (See figures 1 thru 4 for item locations)	Pump Model					
	P-18	P-39	P-77	P-80	P-801	P-84
A	Release Valve	Release Valve	Release Valve	Release Valve	Release Valve	4-Way, 3-Position Control Valve
B	One 3/8" NPTF Outlet Port	One 3/8" NPTF Outlet Port	One 3/8" NPTF Outlet Port	One 3/8" NPTF Outlet Port	One 3/8" NPTF Outlet Port	Two 3/8" NPTF Outlet Ports
C	Oil Fill Plug	Oil Fill Plug	Oil Fill Plug	Oil Fill Plug	Oil Fill Plug	Oil Fill Plug
D	Mounting Slots	Mounting Slots	Mounting Slots	Mounting Slots	Mounting Slots	Mounting Slots
E	User-Adjustable Relief Valve	User-Adjustable Relief Valve	User-Adjustable Relief Valve	User-Adjustable Relief Valve	User-Adjustable Relief Valve	User-Adjustable Relief Valve
F	—	—	—	3/8" NPTF Return to Tank Port	3/8" NPTF Return to Tank Port	—
G	—	—	Bypass Valve	Bypass Valve	Bypass Valve	Bypass Valve

3.1 Pump Features and Major Components

See figures 1 through 4 for the locations of pump features and major components. Refer to Table 2 for descriptions of items A through G.

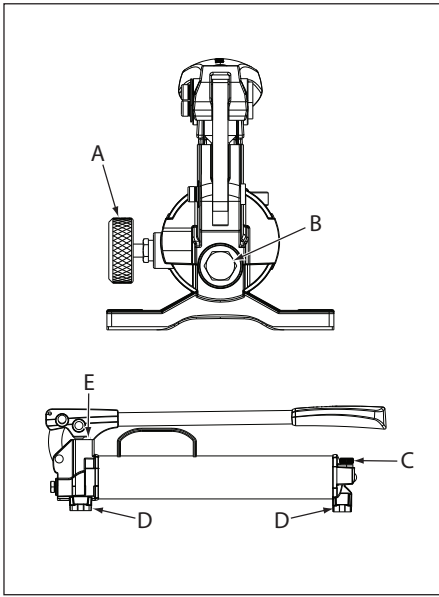


Figure 1, Models P-18 and P-39

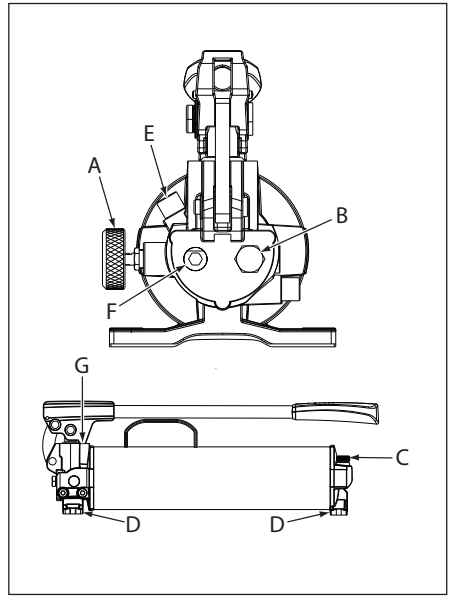


Figure 3, Models P-80 and P-801

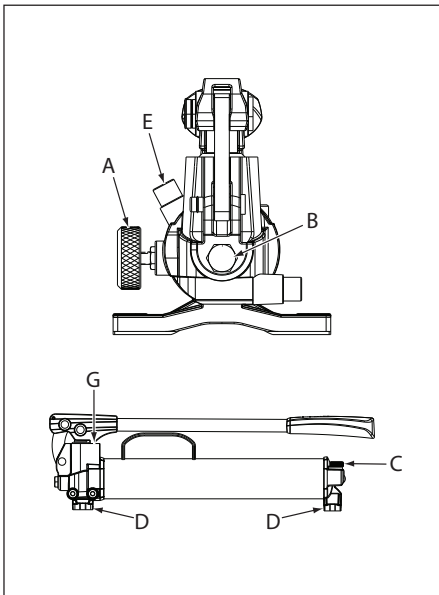


Figure 2, Model P-77

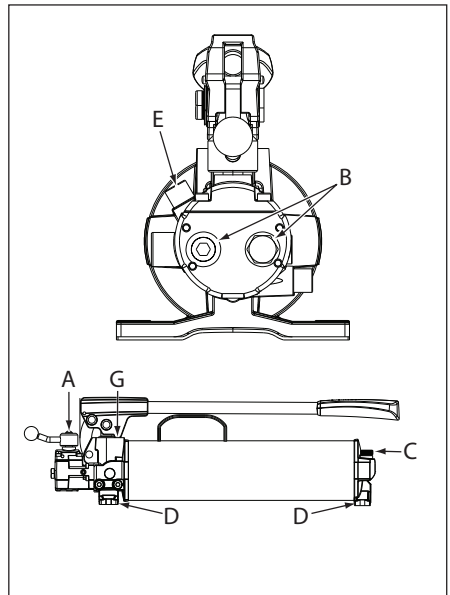


Figure 4, Model P-84

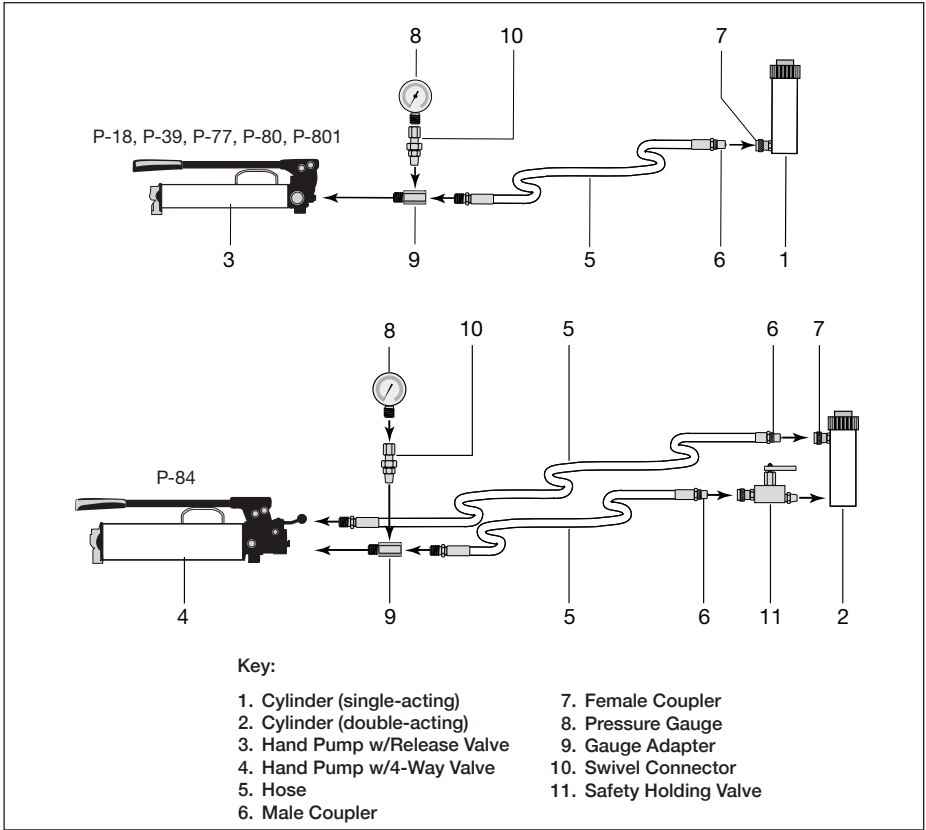


Figure 5, Hydraulic Connections (typical)

4.0 INSTALLATION

4.1 Connecting the Pump

1. Remove shipping plug(s) from pump outlet port(s).
2. Adjust the relief valve to the desired hydraulic pressure limit. See Section 7.0 for instructions.
3. Connect hose(s) to pump. To seal threads, use anaerobic thread sealer, Teflon® paste or Teflon® tape.

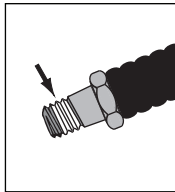


Figure 6

IMPORTANT: When using Teflon® tape, apply the tape one thread back from the end of the fitting to prevent pieces of tape from entering the hydraulic system. See Figure 6.

4. Install a pressure gauge in-line from the pump for added safety and better control.
5. Connect the hose(s) to your cylinder or tool.
 - For single-acting cylinders, connect one hose from the pump to the cylinder.

- For double-acting cylinders, connect two hoses. Connect one hose from port (A) of the pump to the advance port of the cylinder. Connect another hose from port (B) of the pump to the retract port of the cylinder.

Models P-80 and P-801 only: If an external pressure reducing valve is being used in the circuit, connect the tank port of the valve to the return-to-tank port on the pump.

Note: Cylinders, hoses and accessories shown in Figure 5 are sold separately and not included with pump. Refer to the Enerpac catalog for a complete description of available components and accessories. The exact components required for your system will vary, depending on application and other factors.

4.2 Pump Venting

The ULTIMA series hand pumps are designed for non-vented operation. The oil fill plug can be loosened if needed to vent air from the system but should be fully installed before using the pump.

IMPORTANT: To prevent contaminants from entering the hydraulic system, do not operate pump with oil fill plug loosened or removed.

4.3 Pump Position

The pump may be operated in either the horizontal or vertical position. See Figure 7.

When operated in the vertical position, hose end of pump must be pointed down, or the pump will pick up air and will not properly build pressure.

Note: The pump is not designed for use in the inverted (upside-down) position.

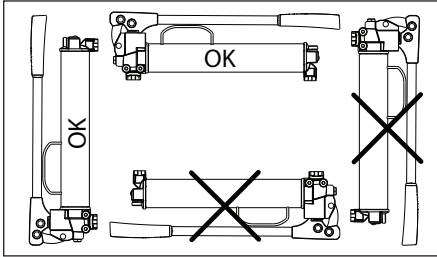




Figure 7, Pump Orientation


5.0 OPERATION


5.1 Before Using the Pump


1. Check all system fittings and connections to be sure they are tight and leak free.
2. Check oil level in reservoir and add oil if required. Refer to instructions in Section 9.1.
3. Read and understand the following precautions before operating pump:

 **WARNING:** In certain situations the pump handle can “kick back”. Always keep your body to the side of the pump, away from the line of force of the handle.

 **WARNING:** When operating the pump handle, keep hands and fingers away from pinch point area between pump handle and lifting/transport handle.

 **CAUTION:** Always remove shipping plug(s) from pump outlet port(s) and replace with proper hydraulic fitting(s) before operating pump handle. If pump handle is operated with shipping plug(s) installed, plug(s) could eject from port(s) with great force, resulting in possible personal injury.

 **CAUTION:** Never add extensions to pump handle. Extensions cause unstable pump operation.

 **CAUTION:** To prevent mechanical damage, do not pull on pump handle after it has reached the end of its travel. Do not apply side force to pump handle.

IMPORTANT: To reduce handle effort at high pressure, take short strokes. Maximum leverage is obtained in the last 5 degrees of stroke.

5.2 Two Stage Flow

Models P-77, P-80, P-801 and P-84

Two-speed pumps provide two stage flow. Under no-load, the pump operates in the high flow first stage for rapid advance. When the load is contacted, the pump automatically shifts to the second stage for building pressure. After the pump shifts, pumping takes less effort.

Note: For best performance, operate pump handle at moderate speed during the high flow first stage. Rapid handle speed in the first stage will prevent the pump from delivering full volume of oil.

5.3 Pump Operation

Models P-18, P-39, P-77, P-80 and P-801

All pump models except the P-84 are designed for use with single-acting cylinders and are equipped with an integral release valve.

1. Close the release valve by turning knob clockwise until it stops. See Figure 8.



CAUTION: Close release valve finger tight ONLY. Using tools on release valve can damage it and cause the pump to malfunction.

2. Operate pump handle to deliver hydraulic power to system. Pressure will be maintained until release valve is opened.
3. Open the release valve by turning knob counter-clockwise. Pressure will be released, allowing oil to flow back to the reservoir.

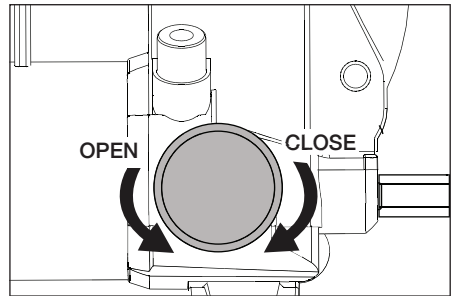


Figure 8, Release Valve (all except P-84)



CAUTION: If release valve knob is difficult to turn or becomes stuck, immediately discontinue using pump. Have pump inspected and repaired by an Enerpac Authorized Service Center.

5.4 Pump Operation - Model P-84


The model P-84 is equipped with a 4-way, 3-position control valve. It is designed for use with double-acting cylinders. See figures 9 and 10.

1. Position lever on 4-way valve to select function as follows:

(A) Flow directed to port "A"; port "B" returns flow to the reservoir.

(N) Neutral - ports "A" and "B" open to the reservoir.

(B) Flow directed to port "B"; port "A" returns flow to the reservoir.

 **WARNING:** Valve contains no load holding device. Be sure load is supported by blocking, mechanical stands or other appropriate supports before moving valve lever to the neutral (N) position.

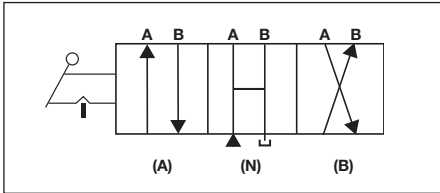


Figure 9, 4-Way Valve Diagram (P-84)

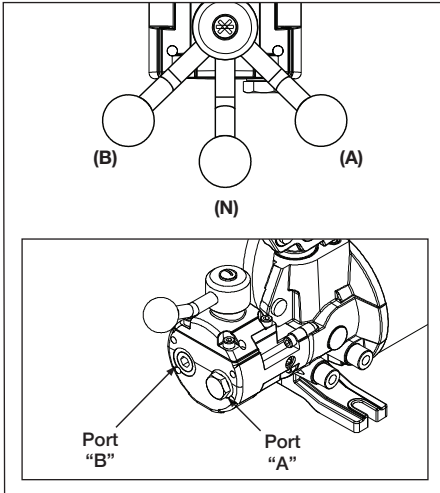


Figure 10, Control Valve Lever Positions and Hose Connections (P-84)

2. Operate pump to perform work.
3. Change valve positions as needed.



WARNING: Operate double-acting cylinder only when both hoses are connected to the pump. If one coupler is left unconnected, high pressure will build behind the coupler which could cause personal injury and/or equipment damage.

6.0 AIR REMOVAL

Removing air from the hydraulic system will help the cylinder to advance and retract smoothly.

6.1 Pump With Single-Acting Cylinder

1. Loosen and remove oil fill plug to provide reservoir venting during the following steps.
2. Fully close release valve.
3. Position pump in the horizontal position at higher elevation than cylinder. See Figure 11.
4. Position cylinder with the plunger end down (up if using pull cylinder).
5. Operate pump to fully extend the cylinder (retract if using pull cylinder).
6. Open release valve to retract cylinder (extend if using pull cylinder). This will force the trapped air to move up to the pump reservoir.
7. Repeat steps 2 through 6 as needed, until cylinder operation is smooth.
8. Add oil if necessary. See Section 9.1.
9. Reinstall oil fill plug.

6.2 Pump With Double-Acting Cylinder

1. Loosen oil fill plug several turns to allow reservoir venting during the following steps.
2. Position pump in the horizontal position at higher elevation than cylinder. See Figure 11.
3. Put cylinder in horizontal position with ports up.
4. Fully advance and retract the cylinder 2 to 3 times.
5. Repeat steps 2 through 4 as needed, until cylinder operation is smooth.
6. Add oil if necessary. See Section 9.1.
7. Reinstall oil fill plug.

7.0 RELIEF VALVE ADJUSTMENT

1. **All models except P-84:** Install a 0-15,000 psi [0-1000 bar] pressure gauge in the pump oil outlet port. Close the release valve (turn knob fully clockwise until it stops).

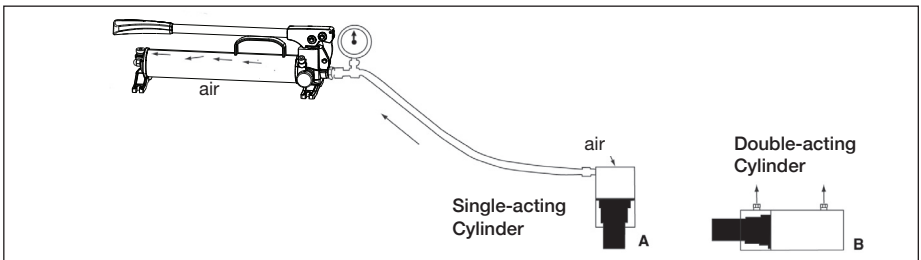


Figure 11, Air Removal

2. **Model P-84 only:** install a 0-15,000 psi [0-1000 bar] pressure gauge in the pump "A" port. Install a pipe plug in the pump "B" port. Move the control valve lever to the **(A)** position.
3. Using a 1/4" Allen wrench, remove the dust plug over the relief valve adjustment screw.
 - On models P-18 and P-39, the relief valve is located on the top surface of the pump head. See Figure 12.
 - On models, P-77, P-80, P-801 and P-84, the relief valve is located on the side of the pump head. See Figure 13.

Note: To obtain an accurate setting during the following steps, always decrease the pressure to a point *below* the desired final setting and then slowly increase the pressure until the final setting is reached.

4. Using a 7/32" Allen wrench, loosen the relief valve adjustment screw about 2 turns. See Figure 14.
5. While operating the pump handle, slowly turn the relief valve adjustment screw clockwise until pressure increases to the desired setting. The pressure setting is indicated when additional pumping does not result in a higher pressure reading on the gauge.

WARNING: Never set the relief valve pressure above 10,500 psi [725 bar]. Serious personal injury could result if this maximum limit is exceeded. Damage to pump and components may also occur.

6. **All models except P-84:** After the desired setting is obtained, turn the release valve counter clockwise to relieve system pressure. Check that pressure gauge indicates zero (0) psi/bar.
7. **Model P-84 only:** After the desired setting is obtained, move the valve handle to the **(N)** neutral position to relieve system pressure. Check that pressure gauge indicates zero (0) psi/bar.
8. **All models except P-84:** Remove pressure gauge from pump oil outlet port. Reinstall dust plug over relief valve adjustment screw.
9. **Model P-84 only:** Remove pressure gauge from pump "A" port. Remove pipe plug from pump "B" port. Reinstall dust plug over relief valve adjustment screw.

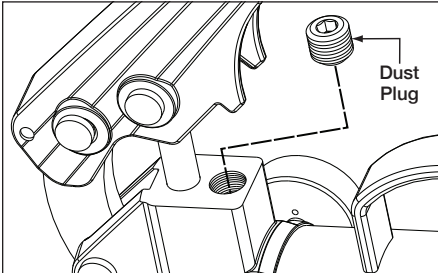


Figure 12, Relief Valve (P-18 and P-39)

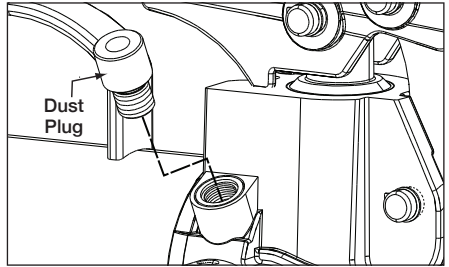


Figure 13, Relief Valve (P-77, P-80, P-801 and P-84)

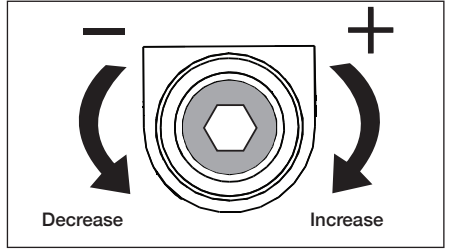


Figure 14, Relief Valve Adjustment Screw

8.0 BYPASS VALVE ADJUSTMENT MODELS P-77, P-80, P-801 and P-84

The bypass valve controls the pressure at which a two-speed pump shifts from the first to the second stage. See Figure 15.

The bypass valve is factory set and should not require readjustment unless the pump is overhauled or repaired. If needed, readjustment should be performed only by an Enerpac Authorized Service Center.

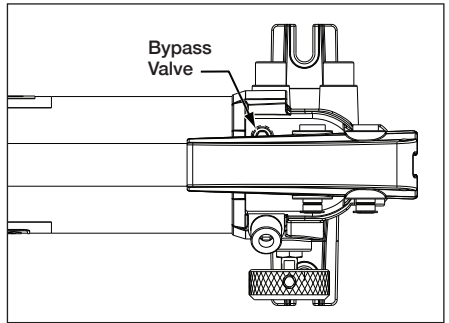


Figure 15, Bypass Valve
(P-77, P-80, P-801 and P-84)

9.0 MAINTENANCE

Use only Enerpac hydraulic oil with the pump to promote long pump life and to protect your warranty. Viton and EPR seal kits are available for some hand pump models. Contact your Enerpac representative for more information on these products and their applications.

9.1 Adding Oil to the Pump



WARNING: Always add oil with cylinders fully retracted (extended if pull cylinders) or the system will contain more oil than the reservoir can hold.

Check oil level regularly and add oil if needed. Refer to the following steps:

1. Place pump in the horizontal position on a level surface.
2. Remove oil fill plug from reservoir.
3. Check oil level. See Figure 16. If oil level is low, add additional oil until oil level is up to the bottom thread of the oil fill plug opening.

IMPORTANT: Do not overfill! Some air space must be present in reservoir to allow proper operation. If the reservoir contains too much oil, a vacuum will form, preventing oil flow when pump is operated.

4. Reinstall oil fill plug after adding oil. Be sure that plug is fully installed (not loose).
5. Remove air from system if necessary. See Section 6.0. Recheck oil level after removing air.

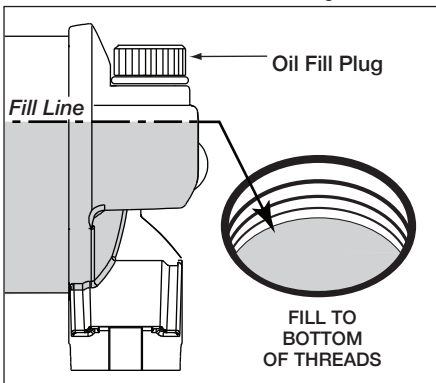


Figure 16, Reservoir Oil Level



WARNING: The oil fill plug contains an integral pressure relief passage, a safety feature that prevents over-pressurization of the reservoir. Use only the oil fill plug supplied with the pump or a genuine Enerpac replacement plug of identical specifications.



CAUTION: Never attempt to return more oil to the reservoir than it is capable of holding.

9.2 Changing the Oil

Drain all oil from reservoir and refill with clean Enerpac oil every 12 months. If pump is used in dirty environments, change the oil more frequently.

1. Remove oil fill plug from reservoir.
2. Tilt pump to drain out old oil.

IMPORTANT: Dispose of used oil in accordance with all applicable laws and regulations.

3. Fill reservoir with new Enerpac oil. Refer to Section 9.1 for additional information.
4. Reinstall oil fill plug.

9.3 Lubrication

To extend pump life and improve performance, lubricate the three pump handle pins regularly, using roller bearing grease. See Figure 17.

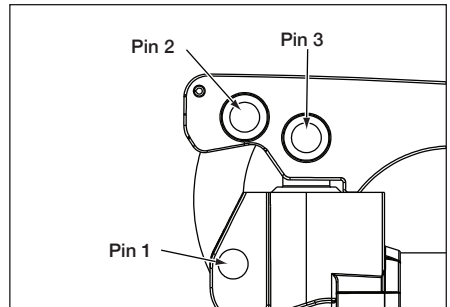


Figure 17, Lubrication Points

9.4 Keeping Oil Lines Clean

Always install dust caps when coupler halves are disconnected. To help prevent failure of pump and other components, use every precaution to guard the system against entrance of dirt and other foreign matter.

10.0 TROUBLESHOOTING GUIDE

The information in the troubleshooting guide (see Table 3) is intended only as an aid to help diagnose and correct selected problems that may occur.

A system failure may or may not be the result of a pump malfunction. To determine the cause of the problem, the complete system must be included in any diagnostic procedure.

For repair service, contact your local Enerpac Authorized Service Center. Only an Enerpac Authorized Service Center should service the pump or system components.

Table 3, Troubleshooting Guide - ULTIMA Series Hand Pumps

Problem	Possible Cause	Solution
<p>Cylinder does not advance, advances slowly, or advances erratically.</p>	<ol style="list-style-type: none"> 1. Low oil level in pump reservoir. 2. Release valve open or not fully closed. 3. Relief valve setting too low. 4. Hydraulic coupler not properly connected. 5. Load is too heavy. 6. Air trapped in system. 7. Reservoir overfilled. 8. Cylinder plunger binding. 	<ol style="list-style-type: none"> 1. Add oil according to the instructions in Section 9.1. 2. Close the release valve. 3. Set the relief valve pressure according to instructions in Section 7.0. 4. Check that all couplers are fully tightened. 5. Do not attempt to lift more than rated tonnage. 6. Remove air according to the instructions in Section 6.0. 7. Remove excess oil from reservoir. <p>Note: If cylinder operates normally when pump oil fill plug is loosened, reservoir may be overfilled with oil.</p> <ol style="list-style-type: none"> 8. Check for damage to cylinder. Have cylinder serviced by an Enerpac Authorized Service Center.
<p>Cylinder advances, but does not hold pressure.</p>	<ol style="list-style-type: none"> 1. Leaking connection. 2. Leaking seals. 3. Internal leakage in pump. 4. Bypass valve setting too low. (Models P-77, P-80, P-801 and P-84) 	<ol style="list-style-type: none"> 1. Check that all connections are tight and leak free. 2. Locate leak(s) and have equipment serviced by an Enerpac Authorized Service Center. 3. Have pump serviced by an Enerpac Authorized Service Center. 4. Have an Enerpac Authorized Service Center adjust the bypass valve setting.
<p>Cylinder does not retract, retracts part way, or retracts more slowly than normal.</p>	<ol style="list-style-type: none"> 1. Release valve closed. 2. Reservoir overfilled. 3. Hydraulic coupler not properly connected. 4. Air trapped in system. 5. Hose inside diameter too narrow. 6. Cylinder retraction spring broken or other cylinder damage. 7. In-line valve closed. 	<ol style="list-style-type: none"> 1. Open the release valve. 2. Remove excess oil from reservoir. <p>Note: If cylinder operates normally when pump oil fill plug is loosened, reservoir may be overfilled with oil.</p> <ol style="list-style-type: none"> 3. Check that all couplers are fully tightened. 4. Remove air according to the instructions in Section 6.0. 5. Use larger diameter hydraulic hose. 6. Have cylinder serviced by an Enerpac Authorized Service Center. 7. Ensure that in-line valves (if used) are correctly set.

Note: For the location of your nearest Enerpac Authorized Service Center go to www.enerpac.com.

L3070 Rev. F 03/17

Les vues éclatées de ce produit sont disponibles sur le site Enerpac www.enerpac.fr. Vous pouvez également les obtenir auprès de votre réparateur agréé Enerpac ou auprès d'Enerpac même.

1.0 INSTRUCTIONS IMPORTANTES RELATIVES À LA RÉCEPTION

Inspecter tous les composants pour vous assurer qu'ils n'ont subi aucun dommage en cours d'expédition. Les dommages subis en cours de transports ne sont pas couverts par la garantie. S'ils sont abîmés, aviser immédiatement le transporteur, qui est responsable des frais de réparation et de remplacement résultant de dommages en cours de transport.



Lire attentivement toutes les instructions et mises en garde et tous les avertissements. Suivre

toutes les précautions pour éviter d'encourir des blessures personnelles ou de provoquer des dégâts matériels durant le fonctionnement du système. Enerpac ne peut pas être tenue responsable de dommages ou blessures résultant de l'utilisation risquée du produit, d'un mauvais entretien ou d'une application incorrecte du produit et du système. En cas de doute sur les précautions ou les applications, contacter Enerpac.

Respecter les mises en garde et avertissements suivants sous peine de provoquer des dégâts matériels et des blessures corporelles.

Une mise en garde **ATTENTION** sert à indiquer des procédures d'utilisation et de maintenance correctes qui visent à empêcher l'endommagement voire la destruction du matériel ou d'autres dégâts.

Un **AVERTISSEMENT** indique un danger potentiel qui exige la prise de mesures particulières visant à écarter tout risque de blessure.

La mention **DANGER** n'est utilisée que lorsqu'une action ou un acte de négligence risque de causer des blessures graves, voire mortelles.



AVERTISSEMENT : Porter un équipement de protection personnelle adéquat pour utiliser un appareil hydraulique.



AVERTISSEMENT : Rester à l'écart de charges soutenues par un mécanisme hydraulique. Un vérin, lorsqu'il est utilisé comme monte-charge, ne doit jamais servir de support de charge. Après avoir monté ou abaissé la charge, elle doit être bloquée par un moyen mécanique.



AVERTISSEMENT : UTILISER SEULEMENT DES PIÈCES RIGIDES POUR SOUTENIR LES CHARGES. Sélectionner avec précaution des blocs



d'acier ou de bois capables de supporter la charge. Ne jamais utiliser un vérin hydraulique comme cale ou intercalaire d'appui pour les applications de levage ou de pressage.



DANGER : Pour écarter tout risque de blessure personnelle, maintenir les mains et les pieds à l'écart du vérin et de la pièce à usiner durant l'utilisation.



AVERTISSEMENT : Ne pas dépasser les valeurs nominales du matériel. Ne jamais essayer de soulever une charge d'un poids supérieur à la capacité du vérin. Une surcharge entraînera la panne du matériel et risque de provoquer des blessures corporelles. Les vérins sont conçus pour une pression maximale de 700 bar. Ne pas connecter de cric ou de vérin à une pompe affichant une pression nominale supérieure.



ATTENTION : Ne jamais régler la pression de la soupape de retour au-dessus de 725 bars [10 500 psi]. Un dépassement de la limite maximale peut entraîner des blessures graves. Les composants et la pompe peuvent aussi être endommagés.



AVERTISSEMENT : La pression de fonctionnement du système ne doit pas dépasser la pression nominale du composant du système affichant la plus petite valeur. Installer des manomètres dans le système pour surveiller la pression de fonctionnement. Ils permettent de vérifier ce qui se passe dans le système.



ATTENTION : Éviter d'endommager les tuyaux hydrauliques. Éviter de les plier et de les tordre en les mettant en place. Un tuyau plié ou tordu entraînera un fort retour de pression. Les plis et coudes prononcés endommageront par ailleurs l'intérieur du tuyau, provoquant son usure précoce.



Ne pas faire tomber d'objets lourds sur le tuyau. Un fort impact risque de causer des dégâts intérieurs (torons métalliques). L'application d'un

pression sur un tuyau endommagé risque d'entraîner sa rupture.



IMPORTANT : Ne pas soulever le matériel hydraulique en saisissant ses tuyaux ou ses raccords articulés. Utiliser la poignée de trans-prot ou procéder d'une autre manière sûre.



ATTENTION : Garder le matériel hydraulique à l'écart de flammes et d'une source de chaleur. Une forte température amollira les garnitures et les joints et provoquera par conséquent des fuites. La chaleur affaiblit également les matériaux et les garnitures du tuyau. Pour une performance maximale, ne pas exposer le matériel à une température supérieure ou égale à 65 °C [150 °F]. Protéger tuyaux et vérins de projections de soudure.



DANGER : Ne pas manipuler les tuyaux sous pression. L'huile sous pression qui risque de s'en échapper peut pénétrer dans la peau et provoquer des blessures graves. En cas d'injection d'huile sous la peau, contacter immédiatement un médecin.



AVERTISSEMENT : Utiliser des vérins hydrauliques uniquement dans un système couplé. Ne jamais utiliser un vérin en présence de raccords déconnectés. La surcharge du vérin peut avoir des effets désastreux sur ses composants, qui peuvent causer des blessures graves.



AVERTISSEMENT : S'assurer de la stabilité de l'ensemble avant de lever une charge. Le vérin doit être placé sur une surface plane capable de supporter la charge.

Lorsqu'applicable, utiliser une base de vérin pour accroître la stabilité. Ne pas souder ou modifier le vérin de quelque façon que ce soit pour y fixer une base ou un autre dispositif de support.



Éviter les situations où les charges ne sont pas directement centrées sur le piston du vérin. Les charges décentrées imposent un effort considérable au vérins et pistons. En outre, la charge risque de glisser ou de tomber, ce qui crée un potentiel de danger.



Répartir la charge uniformément sur toute la surface d'appui. Toujours utiliser un coussinet d'appui si des accessoires non filetés sont utilisés.



IMPORTANT : Le matériel hydraulique doit uniquement être réparé par un technicien hydraulique qualifié. Pour toute réparation, contacter le centre de réparation ENERPAC agréé le plus proche. Pour assurer la validité de la garantie, n'utiliser que de l'huile ENERPAC.



AVERTISSEMENT : Remplacer immédiatement les pièces usées ou endommagées par des pièces ENERPAC authentiques. Les pièces de qualité standard se casseront et provoqueront des blessures et des dégâts matériels. Les pièces ENERPAC sont conçues pour s'ajuster parfaitement et résister à de fortes charges.



AVERTISSEMENT : Toujours utiliser la poignée de transport/de levage de la pompe pour la porter. Utiliser le tuyau pour porter la pompe peut endommager le tuyau ou la pompe.

3.0 INFORMATION PRODUIT

Tableau 1, Spécifications – Pompes manuelles de série ULTIMA

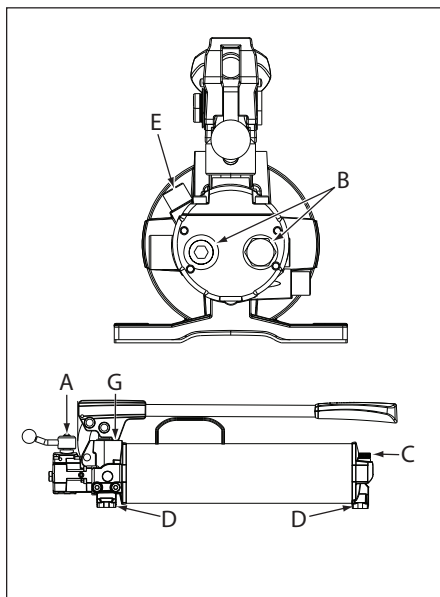
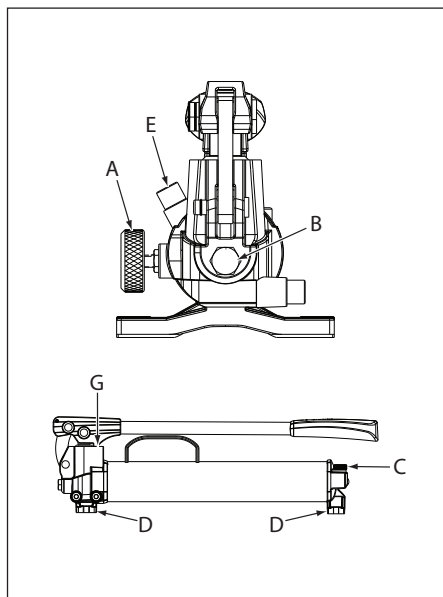
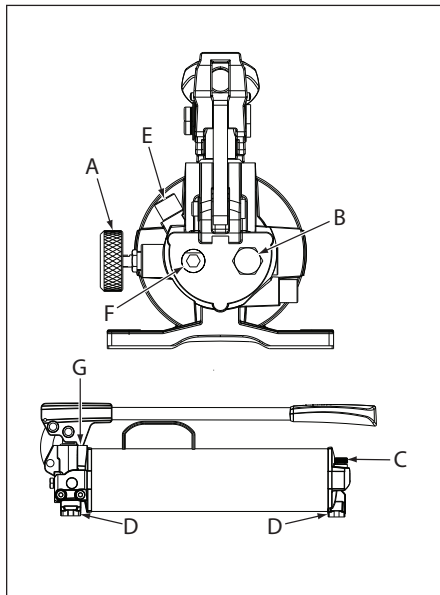
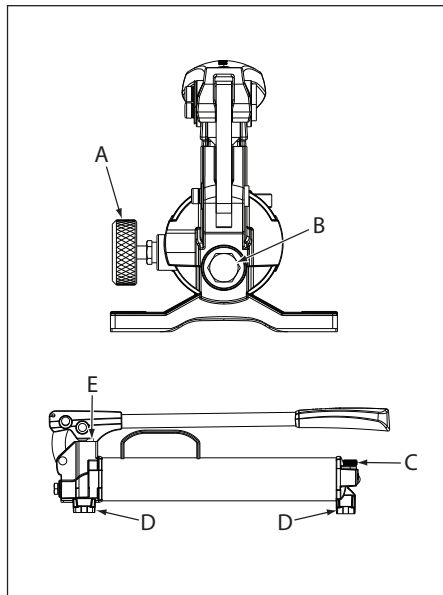
Modèle de pompe	Type de pompe (Vitesse)	Capacité de pression max bar [psi]		Volume d'huile par course cm ³ [in ³]		Capacité d'huile utilisable cm ³ [in ³]	Poids avec l'huile		Effort de poignée max.	
		1ère étape	2e étape	1ère étape	2e étape		kg [lbs]	kg [lbs]		
P-18	1	—	200 [2 850]	—	2,46 [0.15]	360 [22]	5,0 [11.0]	16 [36]		
P-39	1	—	700 [10 000]	—	2,46 [0.15]	769 [47]	6,2 [13.6]	38 [85]		
P-77	2	34 [500]	700 [10 000]	[16,38]	1.00	2,46 [0.15]	769 [47]	7,1 [15.6]	40 [88]	
P-80	2	34 [500]	700 [10 000]	[16,38]	1.00	2,46 [0.15]	2195 [134]	10,7 [23.6]	35 [77]	
P-801	2	34 [500]	700 [10 000]	[16,38]	1.00	2,46 [0.15]	4095 [250]	14,0 [31.0]	35 [77]	
P-84	2	34 [500]	700 [10 000]	[16,38]	1.00	2,46 [0.15]	2195 [134]	11,7 [26.0]	35 [77]	

Tableau 2, Caractéristiques et composants principaux – Pompes manuelles de série ULTIMA

Composant (Voir figures 1 à 4 pour l'emplacement des composants)	Modèle de pompe					
	P-18	P-39	P-77	P-80	P-801	P-84
A	Soupape de décharge	Soupape de décharge	Soupape de décharge	Soupape de décharge	Soupape de décharge	Vanne de commande à 3 positions, 4 voies
B	Un orifice de sortie 3/8" NPTF	Un orifice de sortie 3/8" NPTF	Un orifice de sortie 3/8" NPTF	Un orifice de sortie 3/8" NPTF	Un orifice de sortie 3/8" NPTF	Deux orifices de sortie 3/8" NPTF
C	Bouchon de remplissage d'huile	Bouchon de remplissage d'huile	Bouchon de remplissage d'huile	Bouchon de remplissage d'huile	Bouchon de remplissage d'huile	Bouchon de remplissage d'huile
D	Crans de montage	Crans de montage	Crans de montage	Crans de montage	Crans de montage	Crans de montage
E	Clapet de décharge réglable par l'utilisateur	Clapet de décharge réglable par l'utilisateur	Clapet de décharge réglable par l'utilisateur	Clapet de décharge réglable par l'utilisateur	Clapet de décharge réglable par l'utilisateur	Clapet de décharge réglable par l'utilisateur
F	—	—	—	Orifice 3/8" NPTF de retour au réservoir	Orifice 3/8" NPTF de retour au réservoir	—
G	—	—	Soupape de dérivation	Soupape de dérivation	Soupape de dérivation	Soupape de dérivation

3.1 Caractéristiques et composants principaux de la pompe

Se reporter aux figures 1 à 4 pour l'emplacement des caractéristiques et des composants principaux de la pompe. Se reporter au Tableau 2 pour les descriptions des composants A à G.



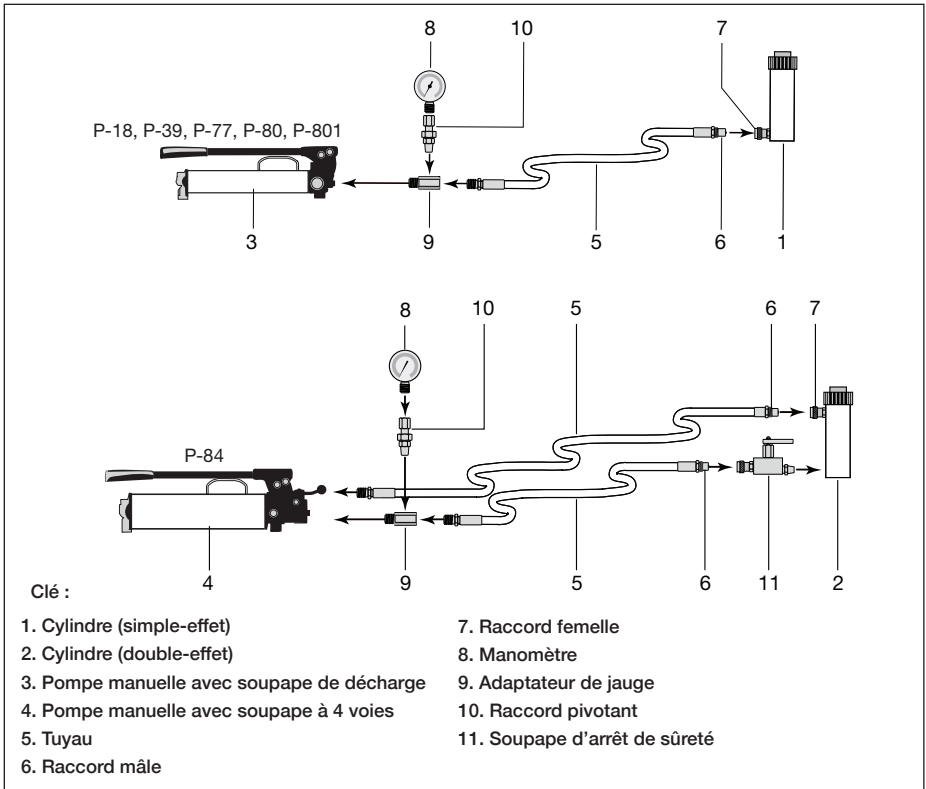


Figure 5, Raccords hydrauliques (type)

4.0 INSTALLATION

4.1 Raccordement à la pompe

1. Enlever le(s) bouchon(s) de transport du(des) orifice(s) de la pompe.
2. Régler la soupape de surpression à la limite de pression hydraulique souhaitée. Voir les directives dans la section 7.0.
3. Brancher le(s) tuyau(x) à la pompe. Pour étanchéifier les filets, utiliser une pâte d'étanchéité anaérobie pour raccords filetés, pâte Teflon® ou ruban Teflon®.

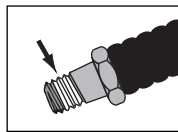


Figure 6

IMPORTANT: En cas d'utilisation de ruban Teflon®, poser le ruban en retrait de l'extrémité du raccord pour empêcher des morceaux de ruban de pénétrer dans le système hydraulique. Voir

4. Installer un manomètre sur la conduite provenant de la pompe pour plus de sécurité et un meilleur contrôle.
5. Brancher le(s) tuyau(x) à votre vérin ou à l'outil.
 - Pour les vérins simple-effet, brancher un tuyau provenant de la pompe au vérin.
 - Pour les vérins double-effet, brancher deux tuyaux. Brancher un tuyau à partir de l'orifice

(A) de la pompe à l'orifice d'avancée du vérin. Brancher un autre tuyau à partir de l'orifice (B) de la pompe à l'orifice de retour du vérin.

Modèles P-80 et P-801 uniquement : Si une soupape de sûreté externe est utilisée dans le circuit, brancher l'orifice du réservoir de la soupape de sûreté à l'orifice de retour vers le réservoir sur la pompe.

Remarque: Les vérins, les tuyaux et les accessoires illustrés à la Figure 5 sont vendus séparément et ne sont pas inclus avec la pompe. Se référer au catalogue Enerpac pour une description complète des composants et des accessoires disponibles. Les composants exacts requis pour votre système varieront, selon l'application et d'autres facteurs.

4.2 Purge d'air de la pompe

Les pompes manuelles de série ULTIMA sont conçues pour un fonctionnement sans évier. Le bouchon de remplissage d'huile peut-être desserré, au besoin, pour purger l'air du système, mais il doit être complètement resserré avant d'utiliser la pompe.

IMPORTANT : Pour empêcher les contaminants d'entrer dans le système hydraulique, ne pas faire fonctionner la pompe avec le bouchon de remplissage d'huile desserré ou enlevé.

4.3 Position de la pompe

La pompe peut être utilisée en position horizontale ou verticale. Voir Figure 7.

Quand elle est utilisée en position verticale, l'extrémité du tuyau de la pompe doit être dirigée vers le bas sinon la pompe recueillera de l'air et ne pourra pas accumuler correctement la pression.

Remarque : La pompe n'est pas conçue pour être utilisée en position inversée (renversée).

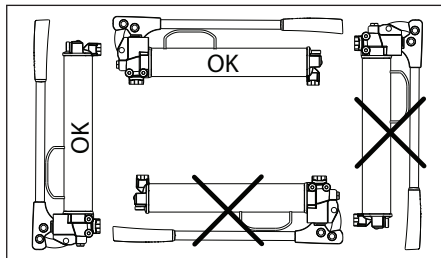


Figure 7, Orientation de la pompe

5.0 FONCTIONNEMENT

5.1 Avant d'utiliser la pompe

1. Vérifier tous les raccords et les branchements du système pour être sûr qu'ils sont serrés et étanches.
2. Vérifier le niveau d'huile dans le réservoir et faire l'appoint si nécessaire. Se référer aux instructions dans la Section 9.1.
3. Lire et comprendre les précautions suivantes avant de faire fonctionner la pompe :



AVERTISSEMENT : Dans certaines situations, la poignée de la pompe peut subir un effet de rebond. Toujours se maintenir sur le côté de la pompe, à l'écart de la ligne de force de la poignée.



AVERTISSEMENT : Lors de l'actionnement de la poignée de la pompe, maintenir les mains et les doigts à l'écart de la zone de pincement entre la poignée de la pompe et la poignée de levage/de transport.



AVERTISSEMENT : Toujours enlever le(s) bouchon(s) de transport du(des) orifice(s) de sortie de la pompe et les remplacer par un(des) raccord(s) hydraulique(s) adapté(s) avant d'actionner la poignée de la pompe. Si la poignée de la pompe est actionnée et que le(s) bouchon(s) de transport est(sont) encore en place, ce(s) dernier(s) peut(peuvent) être éjecté(s) avec puissance du(des) orifice(s), ce qui peut entraîner des blessures.



AVERTISSEMENT : Ne jamais installer de rallonge sur la poignée de la pompe. Les rallonges peuvent entraîner un fonctionnement instable de la pompe.



AVERTISSEMENT : Pour ne pas provoquer de dommages mécaniques, ne pas tirer sur la poignée de la pompe une fois qu'elle a atteint la fin de sa course. Ne pas appliquer de force latérale à la poignée de la pompe.

IMPORTANT : Pour réduire l'effort de la poignée en cas de pression élevée, procéder par courses brèves. La puissance de levier maximale est obtenue dans les 5 derniers degrés de la course

5.2 Débit en deux étapes

Modèles P-77, P-80, P-801 et P-84

Les pompes à deux vitesses proposent un débit en deux phases. À vide, les pompes fonctionnent selon la première phase à débit élevé pour une avancée rapide. Une fois le contact avec la charge établi, la pompe passe automatiquement en deuxième phase pour accumuler la pression. Une fois que la pompe est passée en deuxième phase, le pompage requiert moins d'efforts.

Remarque : Pour une meilleure performance, actionner la poignée de la pompe à vitesse modérée pendant la première phase de débit élevé. Une vitesse rapide de la poignée pendant la première phase empêche la pompe de délivrer le plein volume d'huile.

5.3 Fonctionnement de la pompe

Modèles P-18, P-39, P-77, P-80 et P-801

Tous les modèles de pompe, sauf le modèle P-84, sont conçus pour utiliser des vérins à simple-effet et sont équipés d'une soupape de sûreté intégrale.

1. Fermer la soupape de sûreté en la tournant entièrement dans le sens des aiguilles d'une montre.



AVERTISSEMENT : Fermer la soupape de sûreté en la serrant à la main UNIQUEMENT. Utiliser des outils sur la soupape de sûreté peut l'endommager et provoquer un dysfonctionnement de la pompe.

2. Actionner la poignée de la pompe pour délivrer une puissance hydraulique dans le système. La pression sera maintenue jusqu'à l'ouverture de la soupape de sûreté.
3. Ouvrir la soupape de sûreté en tournant le bouton dans le sens inverse des aiguilles d'une montre. La pression sera relâchée, laissant l'huile revenir au réservoir.

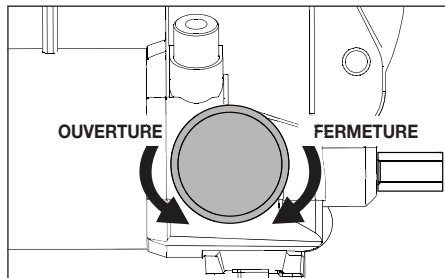


Figure 8, Soupape de sûreté (tous les modèles sauf le P-84)



AVERTISSEMENT : Si le bouton de la soupape de sûreté est difficile à tourner ou est bloqué, arrêter immédiatement l'utilisation de la pompe. Inspecter et réparer la pompe auprès d'un centre de maintenance Enerpac agréé.

5.4 Fonctionnement de la pompe - Modèle P-84

Le modèle P-84 est équipé d'une vanne de commande à 3 positions et à 4 voies. Il est conçu pour un usage avec des vérins à double-effet. Voir les figures 9 et 10.

1. Placer le levier sur la vanne à 4 voies pour sélectionner la fonction de la manière suivante :

(A) Débit dirigé vers l'orifice A ; l'orifice B renvoie le débit vers le réservoir.

(N) Neutre – orifices A et B ouverts sur le réservoir.

(B) Débit dirigé vers l'orifice B ; l'orifice A renvoie le débit vers le réservoir.



AVERTISSEMENT : La valve n'est pas équipée d'un dispositif de retenue de charge. Veiller à ce que la charge soit maintenue par blocage, par des supports mécaniques ou par d'autres supports appropriés avant de déplacer le levier de commande de la valve en position neutre (N).

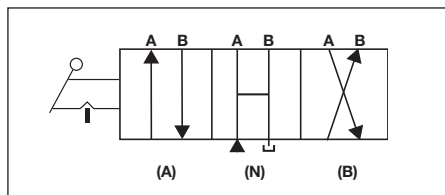


Figure 9, Schéma de vanne à 4 voies (P-84)

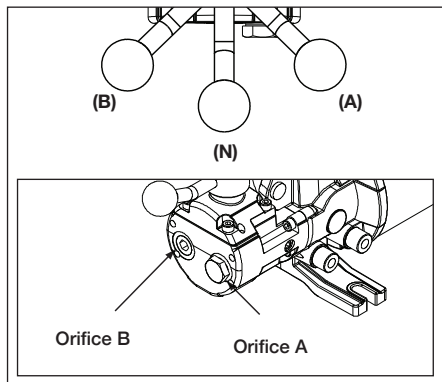


Figure 10, Raccords de tuyau et positions du levier de la vanne de commande (P-84)

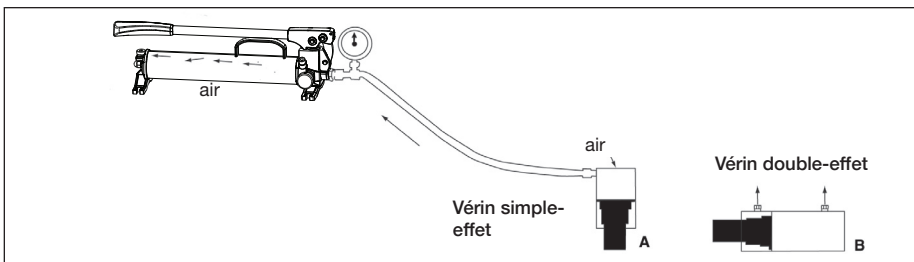


Figure 11, Suppression de l'air

2. Actionner la pompe pour effectuer le travail.

3. Modifier au besoin les positions de la vanne.



AVERTISSEMENT : Actionner le vérin double-effet uniquement quand les deux tuyaux sont reliés à la pompe. Si un coupler n'est pas branché, la pression élevée s'accumulera derrière le coupleur, ce qui peut provoquer des blessures et/ou endommager l'équipement.

6.0 SUPPRESSION DE L'AIR

La suppression de l'air du système hydraulique favorisera l'avancement et la rétraction en douceur du vérin.

6.1 Pompe avec vérin simple-effet

1. Desserrer et enlever le bouchon de remplissage d'huile pour éventer le réservoir pendant les étapes suivantes.
2. Fermer entièrement la soupape de sûreté.
3. Placer la pompe à l'horizontale, sur une hauteur supérieure à celle du vérin. Voir Figure 11.
4. Placer le vérin avec le plongeur vers le bas (vers le haut si vous utilisez un cylindre de traction).
5. Actionner la pompe pour allonger entièrement le vérin (le rétracter en cas de vérin de traction).
6. Ouvrir la soupape de sûreté pour rétracter le vérin (l'allonger dans le cas d'un vérin de traction). Ceci forcera l'air emprisonné à se déplacer vers le haut, en direction du réservoir de la pompe.
7. Répéter les étapes 2 à 6 au besoin, jusqu'à ce que le vérin fonctionne de manière fluide.
8. Ajouter de l'huile, si nécessaire. Voir Section 9.1.
9. Réinstaller le bouchon de remplissage d'huile.

6.2 Pompe avec vérin double-effet

1. Desserrer le bouchon de remplissage d'huile sur plusieurs tours pour permettre l'aération du réservoir pendant les étapes suivantes.
2. Placer la pompe à l'horizontale, sur une hauteur supérieure à celle du vérin. Voir Figure 11.
3. Placer le vérin en position horizontale avec les orifices vers le haut.
4. Avancer et rétracter entièrement le vérin, 2 à 3 fois.
5. Répéter les étapes 2 à 4 au besoin, jusqu'à ce que le vérin fonctionne de manière fluide.
6. Ajouter de l'huile, si nécessaire. Voir Section 9.1.
7. Réinstaller le bouchon de remplissage d'huile.

7.0 RÉGLAGE DE SOUPAPE DE RETOUR

1. **Tous les modèles sauf le P-84** : Installer un manomètre de 0-1000 bars [0-15 000 psi] sur l'orifice de sortie d'huile de la pompe. Fermer la soupape de sûreté (en la tournant entièrement dans le sens des aiguilles d'une montre).
2. **Modèle P-84 uniquement** : Installer un manomètre de 0-1000 bars [0-15 000 psi] sur l'orifice A de la pompe. Installer un bouchon de canalisation dans l'orifice B de la pompe. Déplacer le levier de la vanne de commande en position (A).
3. Au moyen d'une clé Allen de 1/4", enlever le bouchon protecteur placé sur la vis de réglage de la soupape de retour.
 - Sur les modèles P-18 et P-39, la soupape de retour est située sur la face supérieure de la tête de la pompe. Voir Figure 12.
 - Sur les modèles P-77, P-80, P-801 et P-84, la soupape de retour est située sur le côté de la tête de la pompe. Voir Figure 13.

Remarque : Pour obtenir un réglage précis pendant les étapes suivantes, toujours diminuer la pression à un stade inférieur au réglage final souhaité puis augmenter lentement la pression jusqu'à atteindre le réglage final.

4. Au moyen d'une clé Allen de 7/32", desserrer la vis de réglage de la soupape de retour sur près de 2 tours. Voir Figure 14.
5. Tout en actionnant la poignée de la pompe, tourner lentement la vis de réglage de la soupape de retour jusqu'à ce que la pression augmente et atteigne le réglage souhaité. Le réglage de pression est indiqué quand un pompage supplémentaire n'aboutit pas à une mesure de pression plus élevée sur le manomètre.



ATTENTION : Ne jamais régler la pression de la soupape de retour au-dessus de 725 bars [10 500 psi]. Un dépassement de la limite maximale peut entraîner des blessures graves. Les composants et la pompe peuvent aussi être endommagés.

Un dépassement de la limite maximale peut entraîner des blessures graves. Les composants et la pompe peuvent aussi être endommagés.

6. **Tous les modèles sauf le P-84** : Une fois le réglage souhaité atteint, tourner la soupape de retour dans le sens des aiguilles d'une montre pour relâcher la pression du système. Vérifier que le manomètre indique zéro (0) psi/bar.
7. **Modèle P-84 uniquement** : Une fois le réglage souhaité atteint, déplacer la poignée de la vanne en position neutre (N) pour relâcher la pression du système. Vérifier que le manomètre indique zéro (0) psi/bar.
8. **Tous les modèles sauf le P-84** : Enlever le manomètre de l'orifice de sortie d'huile de la pompe. Réinstaller le bouchon protecteur sur la vis de réglage de la soupape de retour.
9. **Modèle P-84 uniquement** : Enlever le manomètre de l'orifice A de la pompe. Enlever le bouchon de canalisation de l'orifice B de la pompe. Réinstaller le bouchon protecteur sur la vis de réglage de la soupape de retour.

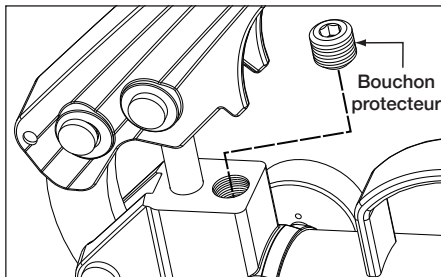


Figure 12, Soupape de retour (P-18 et P-39)

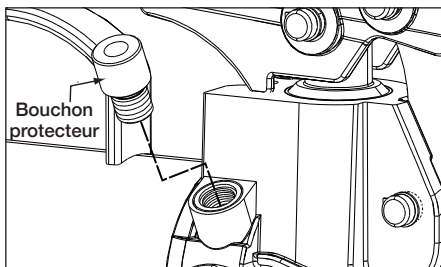


Figure 13, Soupape de retour (P-77, P-80, P-801 et P-84)

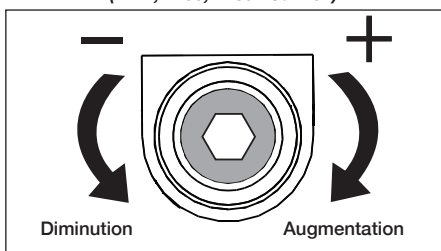


Figure 14, Vis de réglage de la soupape de retour

8.0 RÉGLAGE DU CLAPET DE DÉRIVATION MODÈLES P-77, P-80, P-801 ET P-84

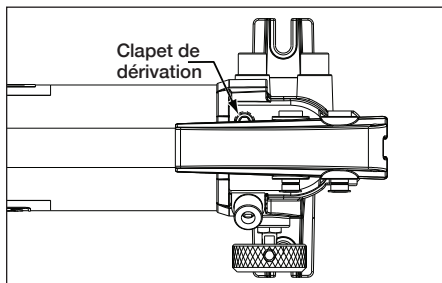


Figure 15, Clapet de dérivation (P-77, P-80, P-801 et P-84)

Le clapet de dérivation contrôle la pression à laquelle une pompe à deux vitesses passe de la première à la deuxième phase. Voir Figure 15.

Le clapet de dérivation est réglé en usine et n'a pas besoin d'être autrement réglé à moins que la pompe ne soit révisée ou réparée. Au besoin, un nouveau réglage doit être effectué, ceci uniquement dans un centre de maintenance Enerpac agréé.

9.0 ENTRETIEN

Utiliser uniquement de l'huile hydraulique Enerpac pour favoriser un long cycle de vie de la pompe et protéger votre garantie. Les kits Viton et de joints en éthylène propylène sont disponibles pour certains modèles de pompes manuelles. Contacter votre représentant Enerpac pour plus d'informations concernant ces produits et leurs applications.

9.1 Ajouter de l'huile à la pompe

ATTENTION : Toujours ajouter de l'huile quand les vérins sont entièrement rétractés (allongés pour les vérins de traction) ou le système recevra plus d'huile que le réservoir ne peut en contenir.

Vérifier régulièrement le niveau d'huile et faire l'appoint si nécessaire. Se reporter aux étapes suivantes :

1. Placer la pompe à l'horizontale, sur une surface nivelée.
2. Enlever le bouchon de remplissage d'huile du réservoir.
3. Vérifier le niveau d'huile. Voir Figure 16. Si le niveau d'huile est faible, ajouter de l'huile jusqu'à ce que son niveau atteigne la base du filet de l'ouverture du bouchon de remplissage d'huile.

IMPORTANT : Ne pas faire déborder ! Un espace d'air doit être présent dans le réservoir pour permettre un bon fonctionnement. Si le réservoir contient trop d'huile, un vide se formera, empêchant le débit d'huile pendant l'actionnement de la pompe.

4. Réinstaller le bouchon de remplissage d'huile après avoir ajouté de l'huile. S'assurer que le bouchon est entièrement installé (pas desserré).
5. Supprimer l'air du système, au besoin. Voir Section 6.0. Vérifier à nouveau le niveau d'huile après avoir supprimé l'air.

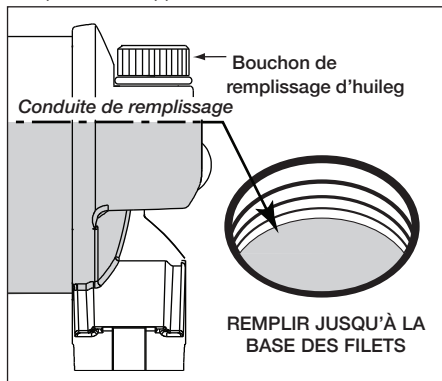


Figure 16, Niveau d'huile du réservoir



ATTENTION : Le bouchon de remplissage d'huile de la pompe comporte un passage de relâchement de pression intégral, un dispositif de sûreté qui empêche la surpression du réservoir. N'utiliser que le bouchon de remplissage d'huile fourni avec la pompe ou un bouchon de remplacement Enerpac authentique ayant les mêmes spécifications.



ATTENTION : Ne jamais essayer de renvoyer plus d'huile vers le réservoir que ce que ce dernier est capable de contenir.

9.2 Changer l'huile

Vidanger toute l'huile du réservoir et le remplir à nouveau d'une huile Enerpac propre tous les 12 mois. Si la pompe est utilisée dans des environnements encrassés, changer plus fréquemment l'huile.

1. Enlever le bouchon de remplissage d'huile du réservoir.
2. Faire basculer la pompe pour vidanger l'ancienne huile.

IMPORTANT: Se débarrasser de l'huile usagée conformément à toutes les lois et réglementations en vigueur.

3. Remplir le réservoir avec une huile Enerpac neuve. Se référer à la Section 9.1 pour plus d'informations.
4. Réinstaller le bouchon de remplissage d'huile.

9.3 Lubrification

Pour allonger la durée de vie de la pompe et améliorer sa performance, lubrifier régulièrement les trois goupilles de poignée de la pompe, en utilisant une graisse à roulements. Voir Figure 17.

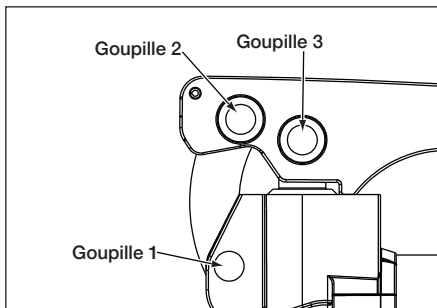


Figure 17, Points de graissage

9.4 Maintenir les conduites d'huile propres

Toujours installer des bouchons protecteurs quand les moitiés de manchon sont débranchées. Pour aider à prévenir toute panne de la pompe ou d'autres composants, prendre toutes les précautions pour protéger le système contre l'entrée de crasse ou d'autres matériaux étrangers.

10.0 GUIDE DE DÉPANNAGE

L'information contenue dans ce guide de dépannage (voir Tableau 3) constitue uniquement une aide au diagnostic et à la correction des problèmes sélectionnés pouvant se produire.

Une panne du système n'est pas nécessairement le résultat d'un dysfonctionnement de la pompe. Pour déterminer l'origine du problème, le système complet doit être pris en compte lors de la procédure de diagnostic.

Pour le service de réparation, contactez votre Centre de maintenance Enerpac local agréé. Seul un centre de maintenance Enerpac agréé peut réparer la pompe ou les composants du système.

Tableau 3, Guide de dépannage – Pompes manuelles de série ULTIMA

Problème	Cause possible	Solution
Le vérin n'avance pas, avance lentement ou avance de façon irrégulière.	<ol style="list-style-type: none"> Niveau d'huile bas dans le réservoir de la pompe Release valve open or not fully closed. Réglage de soupape de retour trop bas. Le manchon hydraulique n'est pas correctement branché. La charge est trop lourde. Air emprisonné dans le système. Réservoir trop plein. Le plongeur du vérin est grippé. 	<ol style="list-style-type: none"> Ajouter de l'huile conformément aux instructions de la Section 9.1. Fermer la soupape de sûreté. Régler la pression de la soupape de retour conformément aux instructions de la Section 7.0 Vérifier que tous les manchons sont complètement serrés. Ne pas essayer de soulever une charge plus lourde que le tonnage nominal. Supprimer l'air conformément aux instructions de la Section 6.0. Enlever l'excès d'huile du réservoir. <p>Remarque : Si le vérin fonctionne normalement quand le bouchon de remplissage d'huile de la pompe est desserré, il se peut qu'il y ait trop d'huile dans le réservoir.</p> <ol style="list-style-type: none"> Vérifier que le vérin n'est pas endommagé. Demander à un centre de maintenance Enerpac agréé de réparer le vérin.
Le vérin avance mais ne maintient pas la pression.	<ol style="list-style-type: none"> Fuite d'un raccord. Joint non étanches. Fuite interne à la pompe. Réglage trop faible du clapet de dérivation (Modèles P-77, P-80, P-801 et P-84) 	<ol style="list-style-type: none"> Vérifier que tous les raccords sont serrés et étanches. Localiser la(les) fuite(s) et faire réparer l'équipement par un centre de maintenance Enerpac agréé. Demander à un centre de maintenance Enerpac agréé de réparer la pompe. Demander à un centre de maintenance Enerpac agréé de régler le clapet de dérivation.
Le cylindre ne se rétracte pas, se rétracte en partie ou se rétracte plus lentement que la normale.	<ol style="list-style-type: none"> La soupape de sûreté est fermée. Réservoir trop plein. Le manchon hydraulique n'est pas correctement branché. Air emprisonné dans le système. Le diamètre intérieur du tuyau est trop étroit. Le ressort de rétraction du vérin est cassé ou le vérin est autrement endommagé. Robinet sur canalisation fermé. 	<ol style="list-style-type: none"> Ouvrir la soupape de sûreté. Enlever l'excès d'huile du réservoir. <p>Remarque : Si le vérin fonctionne normalement quand le bouchon de remplissage d'huile de la pompe est desserré, il se peut qu'il y ait trop d'huile dans le réservoir.</p> <ol style="list-style-type: none"> Vérifier que tous les manchons sont complètement serrés. Supprimer l'air conformément aux instructions de la Section 6.0. Utiliser un tuyau hydraulique de diamètre plus grand. Demander à un centre de maintenance Enerpac agréé de réparer le vérin. S'assurer que les robinets sur canalisation (le cas échéant) sont correctement réglés.

Remarque : Pour connaître l'emplacement de votre centre de maintenance Enerpac agréé le plus proche, visitez le site www.enerpac.com.

L3070 Rev. F 03/17

Das Ersatzteilblatt für dieses Produkt finden Sie auf der Enerpac Website www.enerpac.com, oder bei Ihrem nächstgelegenen autorisierten Enerpac Service Center oder einem Enerpac Vertriebsbüro.

1.0 WICHTIGE VERFAHRENSHINWEISE FÜR DEN EMPFANG:

Alle Komponenten auf sichtbare Transportschäden inspizieren. Transportschäden sind **nicht** von der Garantie gedeckt. Werden solche Schäden festgestellt, ist unverzüglich das Transportunternehmen zu verständigen. Das Transportunternehmen ist für alle Reparatur- und Ersatzkosten, die auf Transportschäden zurückzuführen sind, verantwortlich.

SICHERHEIT GEHT VOR

2.0 SICHERHEITSFRAGEN



Alle Anleitungen, Warnungen und Vorsichtshinweise sorgfältig durchlesen. Beachten Sie alle Sicherheitsvorkehrungen, um Verletzungen oder Sachschäden während des Systembetriebs zu vermeiden. Enerpac ist weder für Schäden noch Verletzungen haftbar, die durch einen fahrlässigen Gebrauch des Produkts, mangelhafte Instandhaltung oder eine unvorschriftsmäßige Anwendung des Produkts und/oder des Systems verursacht werden. Bei evtl. Fragen in bezug auf Sicherheitsvorkehrungen und Betriebsabläufe wenden Sie sich bitte an ENERPAC. Wenn Sie an keinerlei Sicherheitsschulungen im Zusammenhang mit Hochdruck-hydraulikanlagen teilgenommen haben, fordern Sie von Ihrer Vertriebs- und Kundendienstzentrale einen kostenlosen Enerpac-Hydraulik-Sicherheitskurs an.

Ein Mißachten der folgenden Vorsichtshinweise und Warnungen kann zu Geräteschäden und Verletzungen führen.

Mit einem **VORSICHTSHINWEIS** wird auf ordnungsgemäße Betriebs- oder Wartungsverfahren und -praktiken hingewiesen, um Schäden an den Geräten oder anderen Sachwerten bzw. deren Zerstörung zu vermeiden.

Eine **WARNUNG** verweist auf eine potentielle Verletzungsgefahr, die durch ordnungsgemäße Verfahren oder Praktiken vermieden werden kann.

Ein **GEFAHRENSHINWEIS** wird nur dann gegeben, wenn eine bestimmte Handlung oder die Unterlassung einer bestimmten Handlung schwere oder tödliche Verletzungen zur Folge haben kann.



WARNUNG: Beim Betrieb hydraulischer Anlagen geeignete Schutzkleidung und -ausrüstung tragen.



WARNUNG: Von Lasten fernhalten, die durch ein Hydrauliksystem abgestützt werden. Ein als Lastenhebeggerät eingesetzter Zylinder darf niemals als ein Lastenhaltegerät verwendet werden. Nach Heben oder Senken der Last muß diese stets auf mechanische Weise gesichert werden.



WARNUNG ZUM SICHERN VON LASTEN STETS NUR STARRE TEILE VERWENDEN. Zum Abstützen von Lasten sorgfältig dazu geeignete Stahl- oder Holzblöcke auswählen. Bei Hebe- oder Drückanwendungen keinesfalls einen Hydraulikzylinder als Abstandsstück oder -halter verwenden.



GEFAHR: Zur Vermeidung von Verletzungen während des Betriebs Hände und Füße von Zylinder und Werkstück fernhalten.



WARNUNG: Die zugelassene Nennleistung der Geräte nicht überschreiten. Keine Last zu heben versuchen, deren Gewicht das Hebevermögen des Zylinders übersteigt. Überlasten verursachen Maschinenausfälle und können zu Verletzungen führen. Die Zylinder wurden für einen max. Druck von 700 bar konstruiert. Keinen Heber oder Zylinder an eine Pumpe mit einer höheren nominalen Druckleistung anschließen.



WARNUNG: Stellen Sie den Druck des Druckbegrenzungsventils nie über 725 bar [10.500 psi] ein. Es kann zu schweren Verletzungen kommen, wenn die Höchstgrenze überschritten wird. Außerdem können Schäden an der Pumpe und an den Teilen auftreten.



WARNUNG: Der System-betriebsdruck darf den zulässigen Nominaldruck der System-komponente mit der niedrigsten Nennleistung nicht überschreiten. Zur Überwachung des Betriebsdrucks sind Manometer im System zu installieren. Dies ist das Fenster zu den Abläufen im System.



VORSICHT: Beschädigungen am Hydraulikschlauch vermeiden. Beim Verlegen der Hydraulik-schläuche enge Bögen und Abknicken vermeiden. Der Einsatz eines gebogenen oder geknickten Schlauchs führt zu einem hohen Rückstau. Starke Biegungen und Knickstellen schädigen den Schlauch auf der Innenseite und führen zu dessen vorzeitigem Ausfall.



Keine schweren Gegenstände auf den Schlauch fallen lassen. Starke Erschütterungen können Schäden an den im Schlauchinnern verlaufenden Drahtlitzen verursachen. Ein Schlauch, auf den Druck ausgeübt wird, kann bersten.



WICHTIG: Hydraulische Geräte weder an den Schläuchen noch den Gelenkschlüssen anheben. Dazu den Tragegriff oder eine andere sichere Transportmethode verwenden.



VORSICHT: Hydraulische Geräte von Flammen und Hitzequellen fernhalten.

Zu hohe Temperaturen weichen Füllungen und Dichtungen auf und bewirken Flüssigkeitslecks. Große Hitze schwächt außerdem die Schlauchmaterialien und -dichtungen. Zur Gewährleistung einer optimalen Leistung darf die Anlage keinen Temperaturen über 65°C ausgesetzt werden. Außerdem müssen Schläuche und Zylinder beim Schweißen vor Funkenschlag geschützt werden.



GEFAHR: Nicht mit unter Druck stehenden Schläuchen hantieren. Unter Druck austretendes Öl kann in die Haut eindringen und schwere Verletzungen verursachen. Falls Öl unter die Haut gelangt, ist sofort ein Arzt aufzusuchen.



WARNUNG: In einem gekoppelten System dürfen nur Hydraulikzylinder verwendet werden. Niemals einen Zylinder mit unverbundenen Kupplungen verwenden. Bei einer extremen Überlastung des Zylinders können dessen Komponenten einen Sprungvollaussfall erleiden, was schwere Verletzungen hervorrufen kann.



WARNUNG: Sicherstellen, dass die anlage stabilisiert, bevor eine last angehoben wird. Der Zylinder sollte auf einer ebenen Oberfläche aufsitzen, die fest genug ist, um die Last abzustützen. Wenn möglich einen Zylinderfuß verwenden, um größere Stabilität zu gewährleisten. Keine Schweißarbeiten oder andere Änderungen am Zylinder vornehmen, um einen Zylinderfuß oder andere Abstützungen anzubringen.



Situationen vermeiden, in denen die Lasten nicht direkt über dem Kolben des Zylinders ausgerichtet sind. Seitlich versetzte Lasten führen zu erheblicher Belastung der Zylinder und Kolben. Außerdem könnte die Last ins Rutschen geraten oder fallen, was zu äußerst gefährlichen Situationen führen kann.



Die Last gleichmäßig über die gesamte Fläche des Druckstückes verteilen. Den Kolben immer mit einem Druckstück schützen, wenn keine Zusatzgeräte mit Gewinde benutzt werden.



WICHTIG: Hydraulische Geräte müssen von einem qualifizierten Hydrauliktechniker gewartet werden. Bei Reparaturarbeiten an die autorisierte ENERPAC-Kundendienstzentrale der jeweiligen Region wenden.

3.0 PRODUKTINFORMATIONEN

Tabelle 1, Technische Daten – Handpumpen der ULTIMA-Serie

Pumpenmodell	Pumpentyp (Geschwindigkeit)	Max. Betriebsdruck		Ölvolumen pro Hub		Nutzbare Öikapazität	Gewicht mit Öl	Max. Kraftaufwand
		bar [psi]		cm3 [in3]				
		Stufe 1	Stufe 2	Stufe 1	Stufe 2	cm3 [in3]	kg [lbs]	kg [lbs]
P-18	1	—	200 [2 850]	—	2,46 [0.15]	360 [22]	5,0 [11.0]	16 [36]
P-39	1	—	700 [10 000]	—	2,46 [0.15]	769 [47]	6,2 [13.6]	38 [85]
P-77	2	34 [500]	700 [10 000]	[16,38] 1.00	2,46 [0.15]	769 [47]	7,1 [15.6]	40 [88]
P-80	2	34 [500]	700 [10 000]	[16,38] 1.00	2,46 [0.15]	2195 [134]	10,7 [23.6]	35 [77]
P-801	2	34 [500]	700 [10 000]	[16,38] 1.00	2,46 [0.15]	4095 [250]	14,0 [31.0]	35 [77]
P-84	2	34 [500]	700 [10 000]	[16,38] 1.00	2,46 [0.15]	2195 [134]	11,7 [26.0]	35 [77]

Tabelle 2, Merkmale und Hauptkomponenten – Handpumpen der ULTIMA-Serie

Element (Position der Elemente siehe Abb. 1 bis 4)	Pumpenmodell					
	P-18	P-39	P-77	P-80	P-801	P-84
A	Ablussventil	Ablussventil	Ablussventil	Ablussventil	Ablussventil	4-Wege-Steuerventil mit 3 Positionen
B	Ein 3/8" NPTF-Auslassanschluss	Ein 3/8" NPTF-Auslassanschluss	Ein 3/8" NPTF-Auslassanschluss	Ein 3/8" NPTF-Auslassanschluss	Ein 3/8" NPTF-Auslassanschluss	Zwei 3/8" NPTF-Auslassanschlüsse
C	Öfüllstopfen	Öfüllstopfen	Öfüllstopfen	Öfüllstopfen	Öfüllstopfen	Öfüllstopfen
D	Montageschlitz	Montageschlitz	Montageschlitz	Montageschlitz	Montageschlitz	Montageschlitz
E	Einstellbares Druckbegrenzungsventil	Einstellbares Druckbegrenzungsventil	Einstellbares Druckbegrenzungsventil	Einstellbares Druckbegrenzungsventil	Einstellbares Druckbegrenzungsventil	Einstellbares Druckbegrenzungsventil
F	—	—	—	3/8" NPTF Anschluss zurück zum Tank	3/8" NPTF Anschluss zurück zum Tank	—
G	—	—	Umgehungsventil	Umgehungsventil	Umgehungsventil	Umgehungsventil

Zur Aufrechterhaltung der Garantie nur ENERPAC-Öl verwenden.



WARNUNG: Abgenutzte oder beschädigte Teile unverzüglich durch ENERPAC-Originalteile ersetzen. Standardteile anderer Hersteller versagen und verursachen Verletzungen und Sachschäden. ENERPAC-Teile werden so konstruiert, daß sie richtig passen und hohen Lasten standhalten.



ACHTUNG: Zum Tragen der Pumpe immer den Pumpenhebe-/Transportgriff verwenden. Wenn die Pumpe am Schlauch getragen wird, kann dies zu Schäden am Schlauch und/oder an der Pumpe führen.

3.1 Pumpenmerkmale und Hauptkomponenten

Positionen der Pumpenmerkmale und Hauptkomponenten siehe Abb. 1 bis 4. Beschreibungen der Elemente A bis G siehe Tabelle 2.

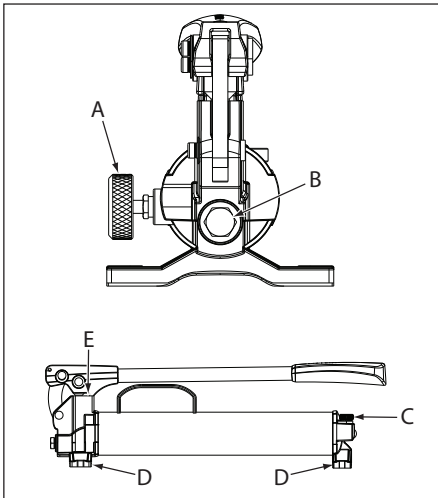


Abb. 1, Modelle P-18 und P-39

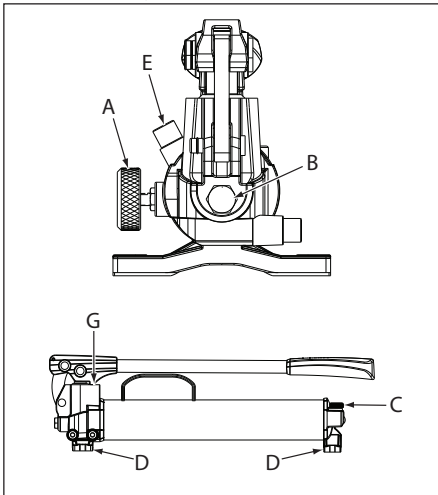


Abb. 2, Modelle P-77

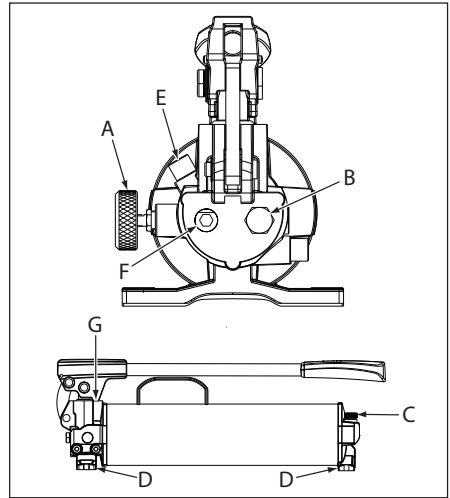


Abb. 3, Modelle P-80 und P-801

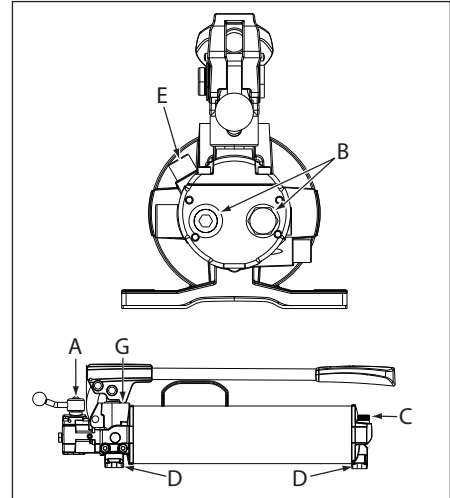


Abb. 4, Modell P-84

4.0 EINBAU

4.1 Anschließen der Pumpe

1. Entfernen Sie die Transportsicherung(en) von den Pumpenauslassanschlüssen.
2. Stellen Sie das Druckbegrenzungsventil auf den gewünschten hydraulischen Druckgrenzwert ein. Anleitung siehe Abschnitt 7.0.
3. Schließen Sie den Schlauch/die Schläuche an die Pumpe an. Verwenden Sie zum Abdichten der Gewinde anaerobes Gewindedichtmittel Teflon®-Paste oder Teflon®-Band.

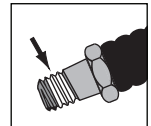


Abb. 6

WICHTIG: Bei Verwendung von Teflon®-Band sollten Sie beim Anbringen einen Gewindegang am Ende

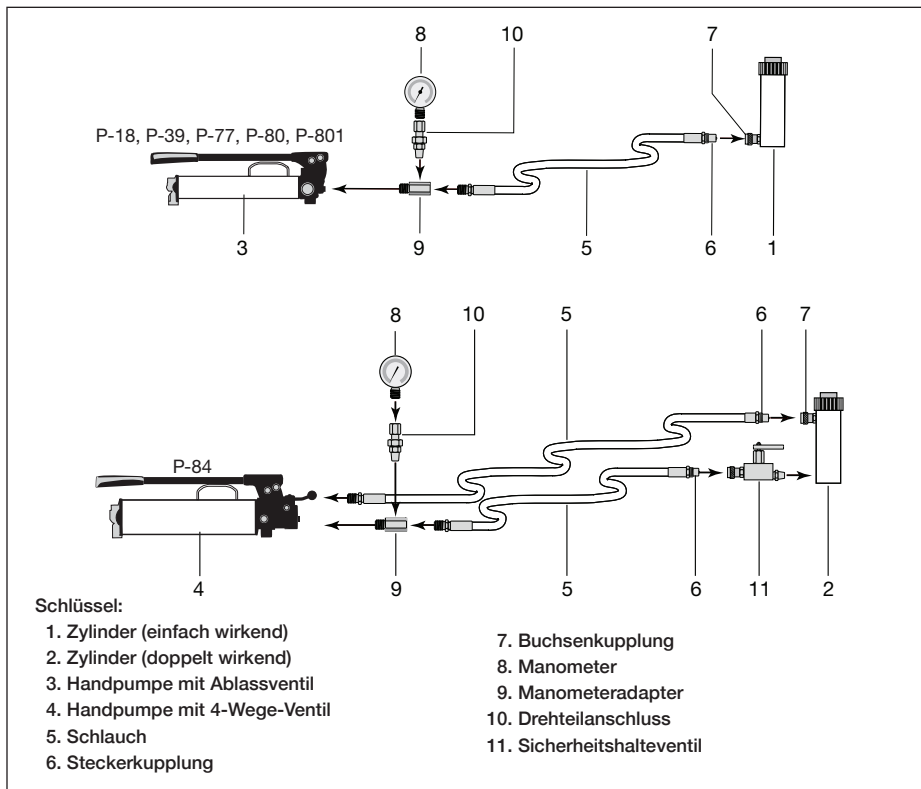


Abb. 5, Hydraulische Anschlüsse (typisch)

Verschraubung auslassen, um zu verhindern, dass Teile des Bandes in das Hydrauliksystem gelangen. Siehe Abb. 6.

4. Installieren Sie ein Manometer in der von der Pumpe kommenden Leitung, um erhöhte Sicherheit und verbesserte Kontrolle zu gewährleisten.
5. Schließen Sie den Schlauch/die Schläuche an den Zylinder oder das Werkzeug an.
 - Bei einfach wirkenden Zylindern wird der Schlauch von der Pumpe zum Zylinder angeschlossen.
 - Bei doppelt wirkenden Zylindern werden zwei Schläuche angeschlossen. Schließen Sie einen Schlauch vom Anschluss (A) der Pumpe an den Vorlaufanschluss des Zylinders an. Schließen Sie einen anderen Schlauch vom Anschluss (B) der Pumpe an den Rücklaufanschluss des Zylinders an.

Nur Modelle P-80 und P-801: Wenn ein externes Druckminderventil im Kreislauf verwendet wird, schließen Sie den Tankanschluss des Ventils an den Anschluss zurück zum Tank der Pumpe an.

Hinweis: In Abb. 5 dargestellte Zylinder, Schläuche und Zubehörteile werden getrennt verkauft und sind nicht im Lieferumfang der Pumpe enthalten. Im Enerpac-Katalog finden Sie eine vollständige Beschreibung der erhältlichen Komponenten und Zubehörteile. Die genauen Komponenten, die für Ihr

System erforderlich sind, unterscheiden sich je nach Anwendung und anderen Faktoren.

4.2 Entlüften der Pumpe

Die Handpumpen der ULTIMA-Serie sind für den Betrieb ohne Entlüftung gedacht. Der Ölfüllstoppfen kann bei Bedarf gelöst werden, um Luft aus dem System zu entfernen, er sollte aber vor Verwendung der Pumpe wieder vollständig angebracht werden.

WICHTIG: Um zu verhindern, dass Verunreinigungen in das Hydrauliksystem gelangen, sollten Sie die Pumpe nicht mit gelöstem oder entferntem Ölfüllstoppfen betreiben.

4.3 Pumpenposition

Die Pumpe kann in der horizontalen oder vertikalen Position betrieben werden. Siehe Abb. 7.

Beim Betrieb in der vertikalen Position muss das Schlauchende der Pumpe nach unten gerichtet sein oder die Pumpe nimmt Luft auf und es erfolgt kein ordnungsgemäßer Druckaufbau.

Hinweis: Die Pumpe ist nicht für die Verwendung in umgedrehter Position gedacht.

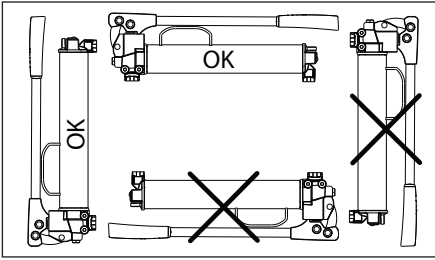


Abb. 7, Ausrichtung der Pumpe

5.0 BETRIEB

5.1 Vor Verwendung der Pumpe

1. Überprüfen Sie alle Systemverschraubungen und Anschlüsse, um sicherzustellen, dass sie fest sitzen und dicht sind.
2. Überprüfen Sie den Ölstand im Behälter und fügen Sie nötigenfalls Öl hinzu. Siehe Anleitung in Abschnitt 9.1.
3. Vor Inbetriebnahme der Pumpe sollten Sie die folgenden Hinweise lesen und verstehen:



WARNUNG: In bestimmten Situationen kann der Pumpengriff „zurückschlagen“. Stellen Sie sich immer seitlich der Pumpe und von der Kraftlinie des Griffs entfernt hin.



WARNUNG: Halten Sie beim Betätigen des Pumpengriffs die Hände und Finger von Quetschpunktbereich zwischen dem Pumpengriff und dem Hebe-/Transportgriff fern.



ACHTUNG: Entfernen Sie die Transportsicherungen immer von den Pumpenauslassanschlüssen und bringen Sie die richtigen Hydraulikverschraubungen an, bevor Sie den Pumpengriff betätigen. Wenn der Pumpengriff mit angebrachten Transportsicherungen betätigt wird, können die Sicherungen mit großer Kraft aus den Anschlüssen geschleudert werden und Verletzungen verursachen.



ACHTUNG: Bringen Sie keine Verlängerungen am Pumpengriff an. Verlängerungen führen zu einem instabilen Pumpenbetrieb.



ACHTUNG: Um mechanische Schäden zu vermeiden, sollten Sie nicht mehr am Pumpengriff ziehen, wenn er das Ende seiner Reichweite erreicht hat. Wenden Sie keine seitliche Kraft auf den Pumpengriff auf.

WICHTIG: Um die Anstrengung bei Betätigung des Griffs bei hohem Druck zu verringern, wählen Sie kurze Hübe. Die maximale Hebelwirkung wird während der letzten 5 Grad des Hubs erreicht.

5.2 Zweistufiger Förderstrom Modelle P-77, P-80, P-801 und P-84

Pumpen mit zwei Geschwindigkeiten bieten einen zweistufigen Förderstrom. Ohne Belastung arbeitet die Pumpe in der ersten Stufe mit hohem Förderstrom für schnelles Ausfahren. Sobald Kontakt mit der Last besteht, wechselt die Pumpe automatisch zur zweiten

Stufe, um Druck aufzubauen. Nach Wechseln der Pumpe erfordert das Pumpen weniger Anstrengung.

Hinweis: Für optimale Leistung sollten Sie den Pumpengriff während der ersten Stufe mit hohem Förderstrom mit mittlerer Geschwindigkeit betätigen. Schnelle Griffgeschwindigkeiten in der ersten Phase verhindern, dass die Pumpe das volle Ölvolumen liefert.

5.3 Pumpenbetrieb Modelle P-18, P-39, P-77, P-80 und P-801

Alle Pumpenmodelle mit Ausnahme von P-84 sind für die Verwendung mit einfach wirkenden Zylindern konzipiert und mit einem integrierten Ablassventil ausgestattet.

1. Schließen Sie das Ablassventil, indem Sie den Knopf bis zum Anschlag im Uhrzeigersinn drehen. Siehe Abb. 8.



ACHTUNG: Schließen Sie das Ablassventil nur handfest. Die Verwendung von Werkzeugen am Ablassventil kann dazu führen, dass es beschädigt wird und die Pumpe nicht mehr funktioniert.

2. Betätigen Sie den Pumpengriff, um Hydraulikdruck im System aufzubauen. Der Druck wird solange gehalten, bis das Ablassventil geöffnet wird.
3. Öffnen Sie das Auslöseventil, indem Sie den Knopf entgegen dem Uhrzeigersinn drehen. Der Druck wird verringert und das Öl kann zurück zum Behälter fließen.

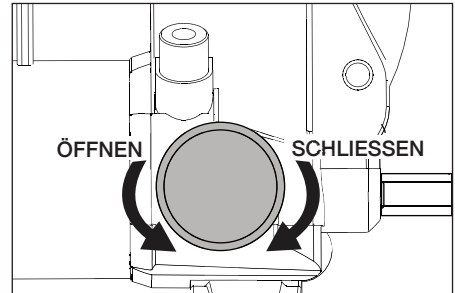


Abb. 8, Ablassventil (alle mit Ausnahme von P-84)



ACHTUNG: Wenn sich der Ventilknopf nur schwer drehen lässt oder klemmt, stellen Sie die Verwendung der Pumpe sofort ein. Lassen Sie die Pumpe von einem autorisierten Enerpac-Servicecenter überprüfen und reparieren.

5.4 PUMPENBETRIEB - Modell P-84

Das Modell P-84 ist mit einem 4-Wege-Steuerventil mit 3 Positionen ausgestattet. Es ist für die Verwendung mit doppelt wirkenden Zylindern gedacht. Siehe Abb. 9 und 10.

1. Positionieren Sie den Hebel am 4-Wege-Ventil, um die Funktion wie folgt auszuwählen:
 - (A) Förderstrom zu Anschluss „A“ geleitet;
 - Anschluss „B“ leitet Förderstrom zurück zum Behälter.

(N) Neutral – Anschlüsse „A“ und „B“ offen zum Behälter.

(B) Förderstrom zu Anschluss „B“ geleitet; Anschluss „A“ leitet Förderstrom zurück zum Behälter.



WARNUNG: Ventil enthält keine Lasthaltevorrichtung. Achten Sie darauf, dass die Last durch Blöcke, mechanische Ständer oder andere geeignete Stützen getragen wird, bevor Sie den Ventilhebel in die neutrale (N) Position bewegen.

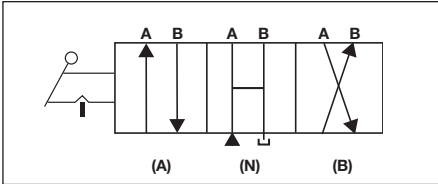


Abb. 9, Diagramm des 4-Wege-Ventils (P-84)

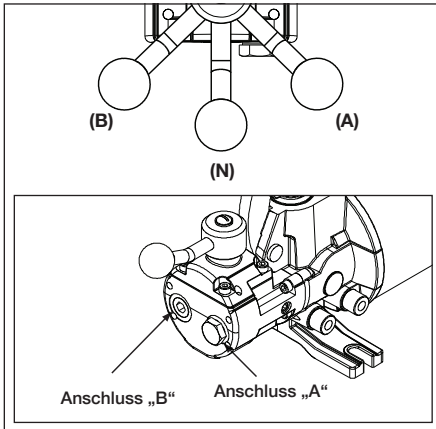


Abb. 10, Positionen des Steuerventilhebels und Schlauchanschlüsse (P-84)

2. Betätigen Sie die Pumpe, um die Arbeit auszuführen.

3. Ändern Sie die Ventilpositionen bei Bedarf



WARNUNG: Betätigen Sie den doppelt wirkenden Zylinder nur, wenn beide Schläuche an die Pumpe angeschlossen sind. Wenn eine Kupplung nicht angeschlossen ist, baut sich hoher Druck hinter der Kupplung auf, der zu Verletzungen und/oder Sachschäden führen kann.

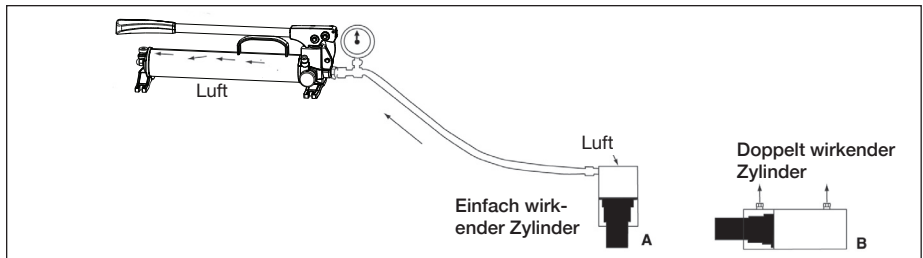


Abb. 11, Entfernen der Luft

6.0 ENTFERNEN DER LUFT

Das Entfernen der Luft aus dem Hydrauliksystem trägt dazu bei, dass der Zylinder reibungslos vor und zurück läuft.

6.1 Pumpe mit einfach wirkendem Zylinder

1. Lösen und entfernen Sie den Ölfüllstopfen, um für eine Entlüftung des Behälters während der folgenden Schritte zu sorgen.
2. Schließen Sie das Ablassventil vollständig.
3. Positionieren Sie die Pumpe in horizontaler Position und höher als den Zylinder. Siehe Abb. 11.
4. Positionieren Sie den Zylinder mit dem Kolbenende nach unten (nach oben bei Verwendung eines Zugzylinders).
5. Betätigen Sie die Pumpe, bis der Zylinder vollständig ausgefahren ist (zurückgezogen bei Verwendung eines Zugzylinders).
6. Öffnen Sie das Ablassventil, um den Zylinder zurückzuziehen. Dadurch wird die eingeschlossene Luft nach oben in den Pumpenbehälter gedrückt.
7. Wiederholen Sie die Schritte 2 bis 6 bei Bedarf, bis der Zylinderbetrieb reibungslos verläuft.
8. Fügen Sie bei Bedarf Öl hinzu. Siehe Abschnitt 9.1.
9. Bringen Sie den Ölfüllstopfen wieder an.

6.2 Pumpe mit doppelt wirkendem Zylinder

1. Lösen Sie den Ölfüllstopfen mehrere Umdrehungen, um für eine Entlüftung des Behälters während der folgenden Schritte zu sorgen.
2. Positionieren Sie die Pumpe in horizontaler Position und höher als den Zylinder. Siehe Abb. 11.
3. Stellen Sie den Zylinder in horizontale Position mit den Anschlüssen nach oben.
4. Lassen Sie den Zylinder 2 bis 3 Mal vollständig vor und zurück laufen.
5. Wiederholen Sie die Schritte 2 bis 4 bei Bedarf, bis der Zylinderbetrieb reibungslos verläuft.
6. Fügen Sie bei Bedarf Öl hinzu. Siehe Abschnitt 9.1.
7. Bringen Sie den Ölfüllstopfen wieder an.

7.0 EINSTELLUNG DES DRUCKBEGRENZUNGSVENTILS

1. **Alle Modelle mit Ausnahme von P-84:** Bauen Sie ein 0 - 1.000 bar [0 - 15.000 psi] Manometer in den Pumpenölablassanschluss ein. Schließen Sie das Ablassventil (drehen Sie den Knopf bis zum Anschlag im Uhrzeigersinn).

2. **Nur Modell P-84:** Bauen Sie ein 0 - 1.000 bar [0 - 15.000 psi] Manometer in Anschluss „A“ ein. Bauen Sie einen Rohrstopfen in den Pumpenanschluss „B“ ein. Bewegen Sie das Steuerventil in die Position (A).

3. Entfernen Sie mit einem 1/4"-Inbusschlüssel den Staubstopfen über der Einstellschraube des Druckbegrenzungsventils.

- Bei den Modellen P-18 und P-39 befindet sich das Druckbegrenzungsventil oben am Pumpenkopf. Siehe Abb. 12.
- Bei den Modellen P-77, P-80, P-801 und P-84 befindet sich das Druckbegrenzungsventil an der Seite des Pumpenkopfes. Siehe Abb. 13.

Hinweis: Um während der folgenden Schritte eine akkurate Einstellung zu erhalten, verringern Sie den Druck immer bis zu einem Punkt unter der gewünschten endgültigen Einstellung und erhöhen Sie dann den Druck langsam, bis er die endgültige Einstellung erreicht.

4. Lösen Sie mit einem 7/32"-Inbusschlüssel die Einstellschraube des Druckbegrenzungsventils ungefähr 2 Umdrehungen. Siehe Abb. 14.

5. Drehen Sie bei Betätigung des Pumpengriffs die Einstellschraube des Druckbegrenzungsventils langsam im Uhrzeigersinn, bis sich der Druck auf die gewünschte Einstellung erhöht hat. Diese Druckeinstellung ist angezeigt, wenn zusätzliches Pumpen nicht zu einem höheren Druckwert auf dem Manometer führt.



WARNUNG: Stellen Sie den Druck des Druckbegrenzungsventils nie über 725 bar [10.500 psi] ein. Es kann zu schweren Verletzungen kommen, wenn die Höchstgrenze überschritten wird. Außerdem können Schäden an der Pumpe und an den Teilen auftreten.

6. **Alle Modelle mit Ausnahme von P-84:** Drehen Sie, nachdem die gewünschte Einstellung erreicht ist, das Ablassventil entgegen dem Uhrzeigersinn, um den Systemdruck zu verringern. Überprüfen Sie, ob das Manometer null (0) bar/psi anzeigt.

7. **Nur Modell P-84:** Bewegen Sie, nachdem die gewünschte Einstellung erreicht ist, den Ventilgriff in die neutrale Position (N), um den Systemdruck zu verringern. Überprüfen Sie, ob das Manometer null (0) bar/psi anzeigt.

8. **Alle Modelle mit Ausnahme von P-84:** Entfernen Sie das Manometer vom Pumpenölablassanschluss. Bringen Sie den Staubstopfen wieder über der Einstellschraube für das Druckbegrenzungsventil an.

9. **Nur Modell P-84:** Entfernen Sie das Manometer vom Pumpenanschluss „A“. Entfernen Sie das Manometer vom Pumpenanschluss „B“. Bringen Sie den Staubstopfen wieder über der Einstellschraube für das Druckbegrenzungsventil an.

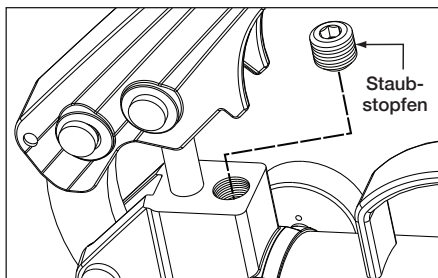


Abb. 12, Druckbegrenzungsventil (P-18 und P-39)

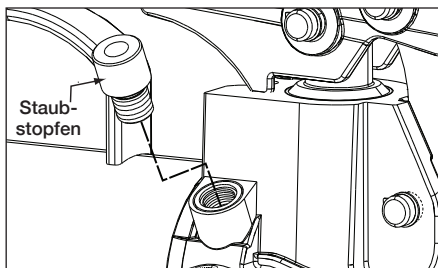


Abb. 13, Druckbegrenzungsventil (P-77, P-80, P-801 und P-84)

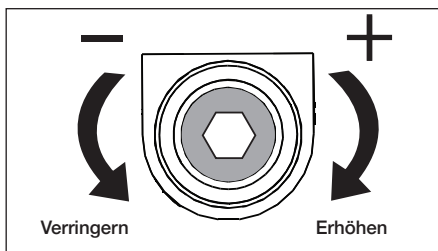


Abb. 14, Einstellschraube für das Druckbegrenzungsventil

8.0 EINSTELLUNG DES UMGEHUNGSVENTILS MODELLE P-77, P-80, P-801 UND P-84

Das Umgehungsventil steuert den Druck, bei dem die zweitufige Pumpe von der ersten zur zweiten Stufe wechselt. Siehe Abb. 15.

Das Umgehungsventil ist werkseitig eingestellt und erfordert keine erneute Einstellung, außer die Pumpe wird überholt oder repariert. Eine eventuell nötige Neueinstellung darf nur von einem autorisierten Enerpac-Servicecenter durchgeführt werden.

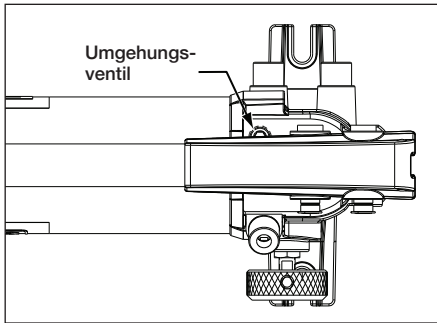


Abb. 15, Umgehungsventil (P-77, P-80, P-801 und P-84)

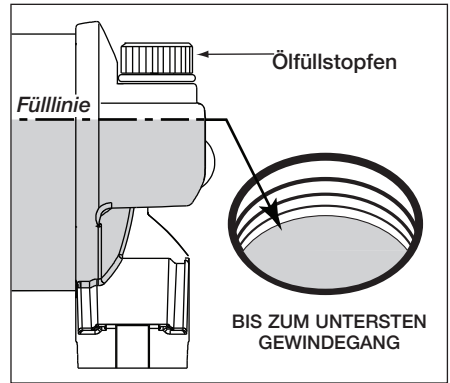


Abb. 16, Ölstand im Behälter

9.0 WARTUNG

Verwenden Sie nur Enerpac-Hydrauliköl für die Pumpe, damit eine lange Lebensdauer gewährleistet und Ihre Garantie geschützt ist. Viton- und Ethylen-Propylen-Gummidichtungssätze sind für einige Handpumpenmodelle erhältlich. Wenden Sie sich an Ihren Enerpac-Vertreter, um weitere Informationen über diese Produkte und ihre Anwendungen zu erhalten.

9.1 Hinzufügen von Öl zur Pumpe



WARNUNG: Fügen Öl nur dann hinzu, wenn die Zylinder vollständig zurückgezogen (ausgefahren bei Zugzylindern) sind, oder das System enthält mehr Öl als der Behälter fassen kann.

Überprüfen Sie den Ölstand regelmäßig und fügen Sie nötigenfalls Öl hinzu. Gehen Sie dabei wie folgt vor:

1. Stellen Sie die Pumpe in horizontaler Position auf eine ebene Fläche.
2. Entfernen Sie den Füllstopfen vom Behälter.
3. Überprüfen Sie den Ölstand. Siehe Abb. 16. Wenn der Ölstand niedrig ist, fügen Sie zusätzliches Öl bis zum untersten Gewindegang der Ölfüllstopfenöffnung hinzu.

WICHTIG: Füllen Sie nicht zu viel Öl ein. Für den ordnungsgemäßen Betrieb muss noch etwas Luft im Behälter vorhanden sein. Wenn der Behälter zu viel Öl enthält, bildet sich ein Vakuum, das den Ölfluss verhindert, wenn die Pumpe betrieben wird.

4. Bringen Sie nach Hinzufügen des Öls den Ölfüllstopfen wieder an. Achten Sie darauf, dass der Stopfen fest sitzt (nicht lose ist).
5. Entfernen Sie nötigenfalls Luft aus dem System. Siehe Abschnitt 6.0. Überprüfen Sie den Ölstand nach dem Entfernen der Luft erneut.



WARNUNG: Der Ölfüllstopfen der Pumpe enthält einen integrierten Druckbegrenzungskanal, eine Sicherheitsfunktion, die einen Überdruck im Behälter verhindert. Verwenden Sie nur den mit der Pumpe mitgelieferten Ölfüllstopfen oder einen Original-Enerpac-Ersatzstopfen mit identischen Spezifikationen.



WARNUNG: Versuchen Sie nie, mehr Öl in den Behälter zurückzuschütten, als dieser fassen kann.

9.2 Wechseln des Öls

Lassen Sie alle 12 Monate das gesamte Öl aus dem Behälter ab und füllen diesen wieder mit sauberem Enerpac-Öl. Wenn die Pumpe in schmutzigen Umgebungen verwendet wird, sollten Sie das Öl häufiger auswechseln.

1. Entfernen Sie den Füllstopfen vom Behälter.
2. Kippen Sie die Pumpe, um das alte Öl ablaufen zu lassen.

WICHTIG: Entsorgen Sie verbrauchtes Öl gemäß allen geltenden Gesetzen und Bestimmungen.

3. Füllen Sie den Behälter mit neuem Enerpac-Öl. In Abschnitt 9.1 finden Sie zusätzliche Informationen.
4. Bringen Sie den Ölfüllstopfen wieder an.

9.3 Schmierung

Um die Pumpenlebensdauer zu verlängern und die Leistung zu verbessern, sollten Sie die drei Pumpengriffstifte regelmäßig mit Rollenlagerfett schmieren. Siehe Abb. 17.

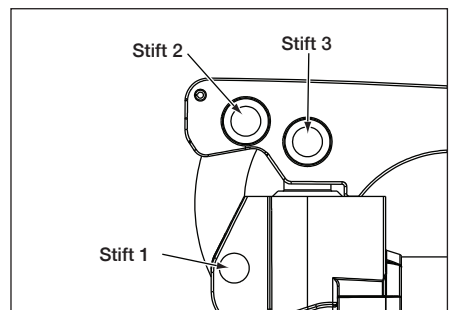


Abb. 17, Schmierpunkte

9.4 Ölleitungen sauberhalten

Bringen Sie immer Staubkappen an, wenn die Kupplungshälften getrennt sind. Um einen Ausfall der Pumpe und anderer Komponenten zu verhindern, sollten Sie sehr vorsichtig vorgehen, um das System vor dem Eindringen von Schmutz und anderen Fremdkörpern zu schützen.

10.0 FEHLERBEHEBUNGSLEITFADEN

Die Informationen im Fehlerbehebungsleitfaden (siehe Tabelle 3) sind nur als Hilfe für die Diagnose und Behebung eventuell auftretender ausgewählter Probleme gedacht.

Ein Systemausfall kann das Ergebnis einer Fehlfunktion der Pumpe sein oder auch nicht. Um die Ursache des Problems festzustellen, muss das vollständige System in das Diagnoseverfahren einbezogen werden.

Wenden Sie sich für die Reparatur an Ihr autorisiertes Enerpac-Servicecenter vor Ort. Nur ein autorisiertes Enerpac-Servicecenter darf die Pumpe oder Systemkomponenten warten und reparieren.

Tabelle 3, Fehlerbehebungsleitfaden - Handpumpen der ULTIMA-Serie

Problem	Mögliche Ursache	Lösung
Zylinder läuft nicht vor, läuft langsam vor oder läuft unregelmäßig vor.	<ol style="list-style-type: none"> 1. Niedriger Ölstand im Pumpenbehälter. 2. Ablassventil offen oder nicht vollständig geschlossen. 3. Einstellung des Druckbegrenzungsventils zu niedrig. 4. Hydraulikkupplung nicht richtig verbunden. 5. Last ist zu schwer. 6. Luft im System eingeschlossen. 7. Behälter überfüllt. 8. Zylinderkolben hängt. 	<ol style="list-style-type: none"> 1. Öl gemäß der Anleitung in Abschnitt 9.1 hinzufügen. 2. Ablassventil schließen. 3. Druck des Druckbegrenzungsventils gemäß der Anleitung in Abschnitt 7.0 einstellen. 4. Prüfen, ob alle Kupplungen vollständig angezogen sind. 5. Nicht versuchen, mehr als die Nenntonnage zu heben. 6. Luft gemäß der Anleitung in Abschnitt 6.0 entfernen. 7. Überschüssiges Öl aus dem Behälter entfernen. <p>Hinweis: Wenn der Zylinder bei gelöstem Pumpenölfilterstopfen normal arbeitet, kann es sein, dass sich zu viel Öl im Behälter befindet.</p> <ol style="list-style-type: none"> 8. Auf Schäden am Zylinder prüfen. Zylinder von einem autorisierten Enerpac-Servicecenter reparieren lassen.
Zylinder läuft vor, hält aber den Druck nicht.	<ol style="list-style-type: none"> 1. Undichte Verbindung. 2. Undichte Dichtungen. 3. Undichte Stelle im Inneren der Pumpe. 4. Einstellung des Umgehungsventils zu niedrig. (Modelle P-77, P-80, P-801 und P-84) 	<ol style="list-style-type: none"> 1. Prüfen, ob alle Anschlüsse fest sitzen und dicht sind. 2. Undichte Stelle(n) suchen und Gerät von einem autorisierten Enerpac-Servicecenter reparieren lassen. 3. Pumpe von einem autorisierten Enerpac-Servicecenter reparieren lassen. 4. Einstellung des Umgehungsventils von einem autorisierten Enerpac-Servicecenter vornehmen lassen.
Zylinder läuft nicht zurück, läuft teilweise zurück oder läuft langsamer als normal zurück.	<ol style="list-style-type: none"> 1. Ablassventil geschlossen. 2. Behälter überfüllt. 3. Hydraulikkupplung nicht richtig verbunden. 4. Luft im System eingeschlossen. 5. Schlauchinnendurchmesser zu gering. 6. Zylinderrückholfeder kaputt oder anderer Zylinderschaden. 7. Ventil in der von der Pumpe kommenden Leitung geschlossen. 	<ol style="list-style-type: none"> 1. Ablassventil öffnen. 2. Überschüssiges Öl aus dem Behälter entfernen. <p>Hinweis: Wenn der Zylinder bei gelöstem Pumpenölfilterstopfen normal arbeitet, kann es sein, dass sich zu viel Öl im Behälter befindet.</p> <ol style="list-style-type: none"> 3. Prüfen, ob alle Kupplungen vollständig angezogen sind. 4. Luft gemäß der Anleitung in Abschnitt 6.0 entfernen. 5. Hydraulikschlauch mit einem größeren Durchmesser verwenden. 6. Zylinder von einem autorisierten Enerpac-Servicecenter reparieren lassen. 7. Sicherstellen, dass die Ventile in der von der Pumpe kommenden Leitung (falls verwendet) richtig eingestellt sind.

Hinweis: Den Ort Ihres nächstgelegenen autorisierten Enerpac-Servicecenters finden Sie unter www.enerpac.com.

L3070 Rev. F 03/17

L'esplosione delle parti di ricambio per questo prodotto è ottenibile sul sito web www.enerpac.com, oppure chiamando il Centro Assistenza Autorizzato a voi più vicino, o il ns. ufficio commerciale.

1.0 NOTA IMPORTANTE

Ispezionare visivamente tutti i componenti per identificare eventuali danni di spedizione e, se presenti, avvisare prontamente lo spedizioniere. I danni subiti durante la spedizione **non** sono coperti dalla garanzia vigente. Lo spedizioniere è il solo responsabile per i costi di riparazione o di sostituzione conseguenti a danni avvenuti durante la spedizione.

2.0 INFORMAZIONI SULLA SICUREZZA



Leggere attentamente tutte le istruzioni, le avvertenze e le precauzioni. Durante il funzionamento del sistema, rispettare tutte le norme di sicurezza onde evitare infortuni o danni all'apparecchiatura. L'Enerpac declina ogni responsabilità per danni risultanti da un uso improprio del prodotto, dalla mancata manutenzione o dall'applicazione errata del prodotto e del sistema. In caso di dubbio in materia di sicurezza o applicazioni, rivolgersi all'Enerpac. Se si richiedono informazioni sulle norme di sicurezza per sistemi idraulici ad alta pressione, rivolgersi al distributore o al centro di riparazione di zona in grado di fornire gratuitamente un corso di addestramento in materia di sicurezza idraulica autorizzato dalla Enerpac.

La mancata osservanza delle seguenti precauzioni potrebbe portare a seri danni all'apparecchiatura e a lesioni personali.

Una **PRECAUZIONE** indica le corrette procedure di azionamento o manutenzione per evitare danni all'apparecchiatura o all'ambiente circostante.

Un'**AVVERTENZA** indica un potenziale pericolo che richiede la messa in pratica delle procedure corrette per evitare infortuni.

Un **PERICOLO** indica una situazione in cui un'azione o la mancanza di azione può causare gravi lesioni personali se non il decesso.



AVVERTENZA: Indossare un'attrezzatura di protezione appropriata durante il funzionamento dell'apparecchiatura.



AVVERTENZA: Stare lontano da carichi sospesi e sostenuti idraulicamente. Un cilindro utilizzato per sollevare un carico non deve mai essere impiegato anche per il loro sostegno. Dopo aver alzato o abbassato un peso, è necessario che questo venga sempre bloccato in maniera meccanica.



AVVERTENZA: UTILIZZARE SOLO ATTREZZI RIGIDI PER IL SOSTEGNO DEI CARICHI. Selezionare con cura blocchi in acciaio o in legno capaci di supportare il peso del carico. Non ricorrere mai a un cilindro idraulico come cuneo o spessore in applicazioni di sollevamento o pressatura.



PERICOLO: Per evitare lesioni personali, durante la lavorazione tenere le mani e i piedi lontano dal cilindro e dal pezzo in lavorazione.



AVVERTENZA: Non superare mai la capacità nominale dell'apparecchiatura. Non tentare mai di sollevare un peso superiore alla capacità del cilindro, dato che il sovraccarico può causare guasti all'apparecchiatura e possibili infortuni all'operatore. I cilindri sono stati studiati per una pressione massima pari a 700 bar. Non collegare un martinetto o un cilindro a una pompa la cui pressione nominale è superiore.



ATTENZIONE: Non regolare mai la pressione della valvola di scarico al di sopra di 725 bar [10,500 psi]. Se questo limite massimo è superato ne potrebbe derivare il ferimento personale. Possono anche verificarsi dei danni ai componenti della Pompa.



AVVERTENZA: La pressione di esercizio del sistema non deve superare il valore nominale prefissato per il componente dalla pressione più bassa. Installare nel sistema un manometro per tenere sotto controllo la pressione di esercizio.



PRECAUZIONE: Evitare di arrecare danni al tubo idraulico flessibile. Evitare di piegare o arricciare il tubo flessibile durante l'uso, poiché gli strozzature possono provocare gravi contropressioni. Le piegature e gli strozzature acute possono danneggiare internamente il tubo flessibile e provocarne quindi un guasto prematuro.



Non lasciar cadere oggetti pesanti sul tubo flessibile, dato che l'impatto potrebbe danneggiarne i fili dell'armatura. La messa sotto pressione di un tubo flessibile danneggiato può causarne la rottura.



IMPORTANTE: Non sollevare apparecchiature idrauliche mediante il tubo flessibile o i giunti orientabili. Servirsi della maniglia per trasporto o di un altro mezzo di trasporto sicuro.



PRECAUZIONE: **Tenere l'apparecchiatura idraulica lontano da fiamme e sorgenti di calore.** Il calore eccessivo ammorbidisce le guarnizioni, provocando perdite di fluido. Il calore indebolisce altresì il materiale di cui è composto il tubo flessibile. Per garantire le migliori prestazioni, non esporre l'apparecchiatura a temperature superiori a 65°C (150°F). Proteggere i tubi flessibili e i cilindri da scintille o scaglie di saldatura.



PERICOLO: **Non maneggiare i tubi flessibili sotto pressione.** Eventuali fuoriuscite d'olio sotto pressione possono penetrare sotto la cute e provocare gravi lesioni. Se l'olio penetra sotto la pelle, rivolgersi immediatamente a un medico.



AVVERTENZA: **Utilizzare i cilindri idraulici solo se i giunti del sistema sono debitamente accoppiati.** Se il sovraccarico del cilindro diventa eccessivo, i componenti possono guastarsi irrimediabilmente e provocare gravi lesioni personali.



AVVERTENZA: **Prima di sollevare il carico, assicurarsi che la configurazione dell'intera apparecchiatura sia perfettamente stabile.** Il cilindro deve essere disposto su una superficie piana, in grado di sostenere il carico. Se possibile, usare una base per il cilindro, per aumentarne la stabilità. Non saldare né modificare in alcun modo il cilindro allo scopo di collegarvi una base o un altro supporto.



Evitare situazioni in cui i carichi non siano perfettamente centrati rispetto allo stelo del cilindro stesso. I carichi disassati esercitano notevoli sollecitazioni sui cilindri e steli. Inoltre, il carico potrebbe scivolare o cadere, con risultati potenzialmente pericolosi.



Distribuire il carico uniformemente sull'intera superficie della testa del pistone. Usare sempre una testina per proteggere lo stelo quando non si usano attacchi filettati.



IMPORTANTE: Affidare la manutenzione delle apparecchiature idrauliche solamente a un tecnico specializzato. Per richiedere un intervento di assistenza, rivolgersi al centro di assistenza ENERPAC autorizzato di zona. Per usufruire dei termini di garanzia, utilizzare esclusivamente olio idraulico ENERPAC.



AVVERTENZA: Sostituire immediatamente le parti usurate o danneggiate con pezzi di ricambio ENERPAC originali. I pezzi di ricambio di qualità standard si potrebbero rompere più facilmente e arrecare danni alla propria persona e all'ambiente circostante. I pezzi di ricambio ENERPAC sono stati concepiti per adattarsi perfettamente al sistema e per sopportare condizioni di carico elevate.



ATTENZIONE: Per portare la pompa usare sempre la manopola di sollevamento e trasporto. Il trasporto della pompa effettuato usando il tubo flessibile può danneggiare il tubo stesso e/o la pompa.

3.0 PRODUCT INFORMATION

Tabella 1, Specifiche – Serie ULTIMA di pompe manuali

Modello della pompa	Tipo di pompa (velocità)	Pressione Max.		Volume Olio Per Corsa		Capacità Usabile di Olio	Peso con l'Olio	Max. Sforzo sulla Manopola
		bar [psi]		cm ³ [in ³]				
		Stadio 1	Stadio 2	Stadio 1	Stadio 2	cm ³ [in ³]	kg [lbs]	kg [lbs]
P-18	1	—	200 [2 850]	—	2,46 [0,15]	360 [22]	5,0 [11,0]	16 [36]
P-39	1	—	700 [10 000]	—	2,46 [0,15]	769 [47]	6,2 [13,6]	38 [85]
P-77	2	34 [500]	700 [10 000]	16,38 [1,00]	2,46 [0,15]	769 [47]	7,1 [15,6]	40 [88]
P-80	2	34 [500]	700 [10 000]	16,38 [1,00]	2,46 [0,15]	2195 [134]	10,7 [23,6]	35 [77]
P-801	2	34 [500]	700 [10 000]	16,38 [1,00]	2,46 [0,15]	4095 [250]	14,0 [31,0]	35 [77]
P-84	2	34 [500]	700 [10 000]	16,38 [1,00]	2,46 [0,15]	2195 [134]	11,7 [26,0]	35 [77]

Tabella 2, Caratteristiche e componenti principali – Serie ULTIMA di pompe manuali

Voce (Vedi le Figure da 1 a 4 per la posizione delle voci)	Modello Pompa					
	P-18	P-39	P-77	P-80	P-801	P-84
A	Valvola di scarico	Valvola di scarico	Valvola di scarico	Valvola di scarico	Valvola di scarico	4-vie, Valvola di Comando a 3-Pos.
B	Un raccordo di uscita 3/8" NPTF	Un raccordo di uscita 3/8" NPTF	Un raccordo di uscita 3/8" NPTF	Un raccordo di uscita 3/8" NPTF	Un raccordo di uscita 3/8" NPTF	Due raccordi di uscita 3/8" NPTF
C	Tappo Riempimento Olio	Tappo Riempimento Olio	Tappo Riempimento Olio	Tappo Riempimento Olio	Tappo Riempimento Olio	Tappo Riempimento Olio
D	Scalature di montaggio	Scalature di montaggio	Scalature di montaggio	Scalature di montaggio	Scalature di montaggio	Scalature di montaggio
E	Scalature di montaggio	Scalature di montaggio	Scalature di montaggio	Scalature di montaggio	Scalature di montaggio	Scalature di montaggio
F	—	—	—	Raccordo 3/8" NPTF di Ritorno al serbatoio	Raccordo 3/8" NPTF di Ritorno al serbatoio	—
G	—	—	Bypass Valve	Bypass Valve	Bypass Valve	Bypass Valve

3.1 Caratteristiche della Pompa e Componenti Principali

Vedere le Figure da 1 a 4 per le posizioni ed i principali componenti della Pompa. Fare riferimento alla Tabella 2 per le descrizioni delle voci da A fino a G.

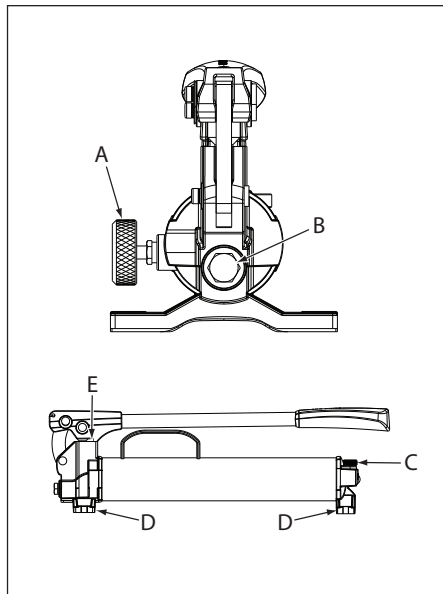


Figura 1, Modelli P-18 e P-39

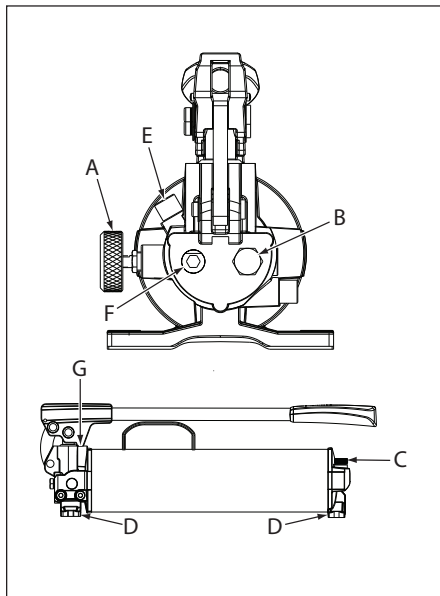


Figura 3, Modelli, P-80 e P-801

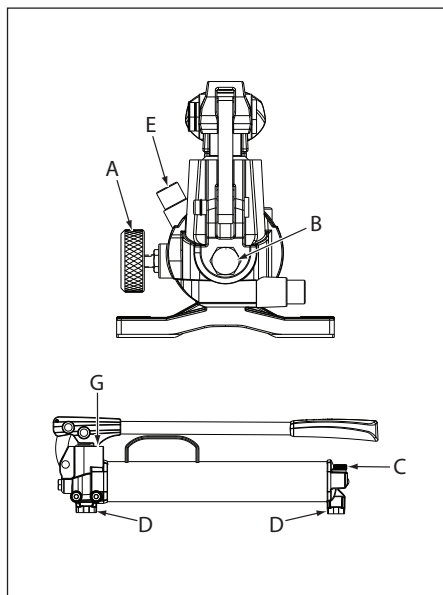


Figura 2, Modello P-77

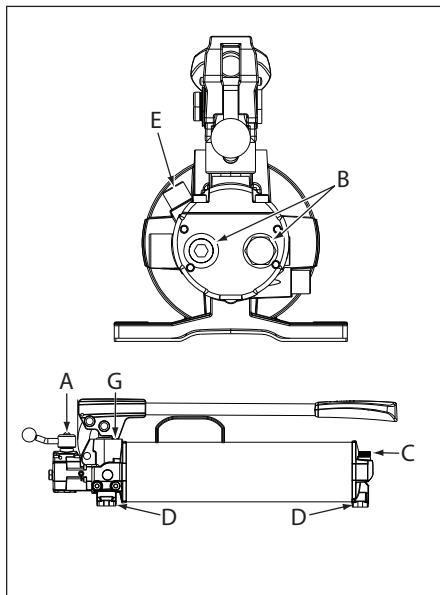


Figura 4, Modello P-84

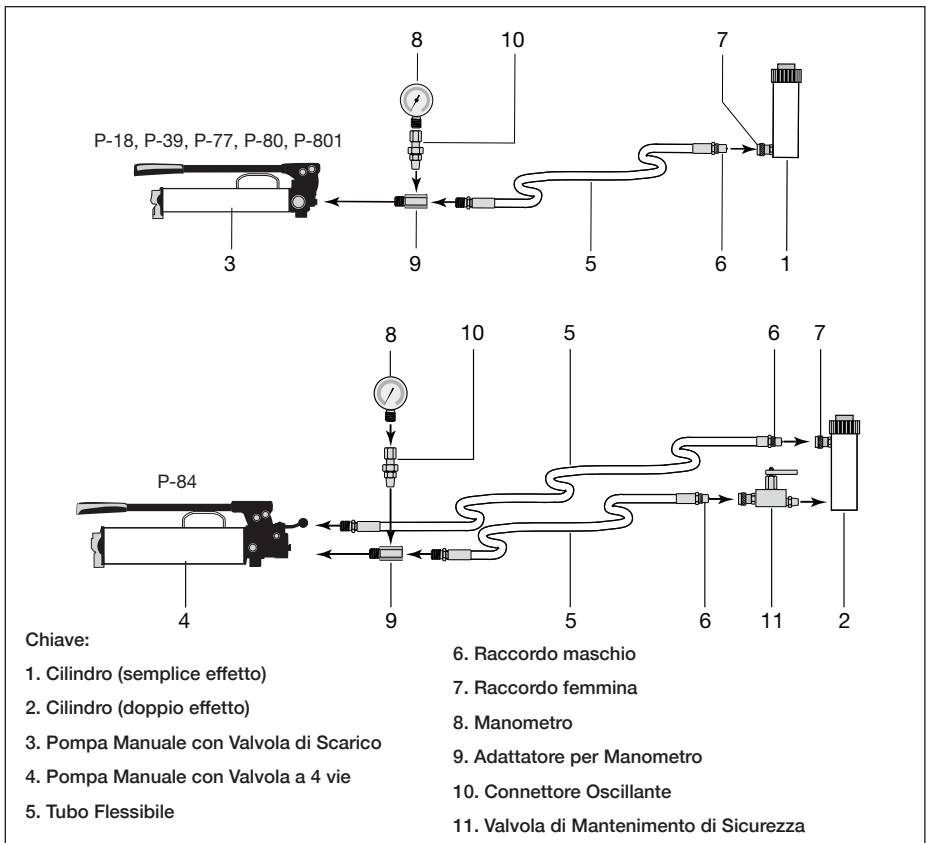


Figura 5, Collegamenti Idraulici (tipici)

4.0 INSTALLAZIONE

4.1 Collegamento della Pompa

1. Togliere il(i) tappo(i) dal(i) raccordo(i) di uscita della Pompa.
2. Regolare la valvola di scarico alla pressione oleodinamica desiderata. Vedere la Sezione 7.0 per istruzioni.
3. Collegare il(i) tubo(i) flessibile(i) alla Pompa. Per sigillare i filetti usare un sigillante anaerobico, Teflon® in pasta oppure nastro di Teflon®.

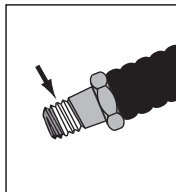


Figura 6

IMPORTANTE: Quando si usa il nastro di Teflon®, applicare il nastro fino al penultimo filetto dalla fine del raccordo, per evitare che entrino pezzi di nastro nel sistema idraulico. Vedere la Figura 6.

4. Installare un manometro in linea dalla Pompa per una maggiore sicurezza e un controllo migliore.
5. Collegare il(i) tubo(i) flessibile(i) al cilindro o attrezzo.
 - Per i cilindri a semplice effetto, collegare un tubo flessibile dalla Pompa al cilindro.

- Per i cilindri a doppio effetto, collegare due tubi flessibili. Collegare un tubo flessibile dal raccordo (A) della Pompa al raccordo di avanzamento del cilindro. Collegare un altro tubo flessibile dal raccordo (B) della Pompa al raccordo di ritorno del cilindro.

Modelli P-80 e P-801 soltanto: Se nel circuito si usa una valvola esterna di riduzione della pressione, collegare il raccordo di ritorno della valvola al raccordo di ritorno al serbatoio sulla Pompa.

Nota: I Cilindri, i tubi flessibili e gli accessori mostrati in Figura 5 sono venduti separatamente e non fanno parte della Pompa. Fare riferimento al catalogo Enerpac per la completa descrizione dei componenti e degli accessori disponibili. Gli esatti componenti necessari per Il vostro sistema varieranno, secondo il tipo di applicazione ed altri fattori.

4.2 Ventilazione della Pompa

La serie ULTIMA delle Pompe è progettata per il funzionamento senza ventilazione. Il tappo di riempimento dell'olio può essere allentato, se è necessario ventilare l'aria dal sistema, ma deve essere perfettamente al suo posto prima di usare la Pompa.

IMPORTANTE: Per impedire l'entrata di corpi esterni contaminanti nel sistema idraulico, non azionare la Pompa con il tappo di riempimento dell'olio allentato o mancante.

4.3 Posizione della Pompa

La Pompa può essere fatta funzionare sia in posizione orizzontale che in posizione verticale. Vedere la Figura 7.

Quando è fatta funzionare nella posizione verticale, l'estremità del tubo flessibile della Pompa deve essere diretta verso il basso, oppure la Pompa assorbirà dell'aria e non creerà correttamente la pressione.

Nota: La Pompa non è progettata per il funzionamento in posizione invertita (lato superiore in basso).

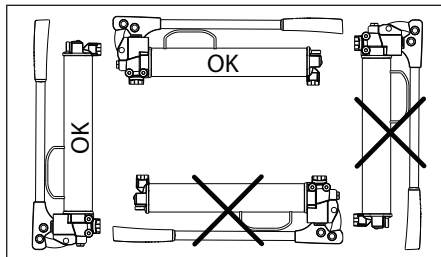


Figura 7, Orientamento della Pompa

5.0 FUNZIONAMENTO

5.1 Prima di usare la Pompa

1. Controllare che tutti i raccordi ed i collegamenti del sistema siano a tenuta perfetta e senza perdite.
2. Controllare il livello dell'olio nel serbatoio e rimboccare se necessario. Fare riferimento alle istruzioni della Sezione 9.1.
3. Leggere e comprendere le seguenti precauzioni prima di azionare la Pompa:



AVVISO: In certe situazioni la manopola della Pompa può "scattare all'indietro". Stare sempre col corpo di lato alla Pompa, fuori dalla linea di forza della manopola.



AVVISO: Quando si aziona la manopola della Pompa, tenere mani e dita lontane dalla zona di pizzicamento tra la Pompa e la manopola di sollevamento e trasporto.



ATTENZIONE: Togliere sempre il(i) tappo(i) di spedizione dal(i) raccordo(i) di uscita dalla Pompa e sostituirlo con l'(gli) adatto(i) raccordo(i) idraulico(i) prima di azionare la manopola della Pompa. Se la manopola della Pompa è azionata con il(i) tappo(i) di spedizione installato, il(i) tappo(i) potrebbe essere eiettato con grande forza dal(i) raccordo(i), effettuando il possibile ferimento delle persone.



ATTENZIONE: Non aggiungere mai delle estensioni alla manopola della Pompa. Le prolunghe causano un funzionamento instabile della Pompa.



ATTENZIONE: Per impedire danni meccanici, non tirare la manopola della pompa dopo che si è raggiunta l'estremità della corsa. Non

applicare una forza laterale alla manopola della Pompa.

IMPORTANTE: Per ridurre lo sforzo della manopola ad alta pressione, fare delle corse brevi. L'effetto massimo di leva è ottenuto negli ultimi 5° della corsa.

5.2 Flusso a due stadi

Modelli P-77, P-80, P-801 e P-84

Le Pompe a due velocità forniscono un flusso a due stadi. In assenza di carico la Pompa funziona nel primo stadio ad alto flusso per un rapido avanzamento. Quando si entra in contatto col carico, la pompa si sposta automaticamente al secondo stadio per creare la pressione. Dopo che la Pompa si è spostata, il pompaggio richiede meno sforzo.

Nota: Per ottenere le prestazioni migliori, azionare la manopola della Pompa a velocità moderata durante il primo stadio ad alto flusso. Una velocità rapida della manopola nel primo stadio impedirà alla Pompa di fare la mandata col pieno volume di olio.

5.3 Funzionamento della Pompa

Modello P-18, P-39, P-77, P-80 e P-801

Tutti i Modelli di Pompa ad eccezione del P-84 sono progettati per il funzionamento con cilindri a semplice effetto ed hanno una valvola di scarico incorporata.

1. Chiudere la valvola di scarico girando la manopola in senso orario fino a che si arresta. Vedere la Figura 8.



ATTENZIONE: Chiudere la valvola di scarico SOLO a mano. L'uso di attrezzi sulla valvola di scarico può causare danni e un malfunzionamento della Pompa.

2. Azionare la manopola della Pompa per inviare energia idraulica al sistema. La pressione sarà mantenuta fino a che la valvola di scarico non venga aperta.
3. Aprire la valvola di scarico girando la manopola in senso anti-orario. La pressione sarà scaricata permettendo all'olio di defluire nel serbatoio.

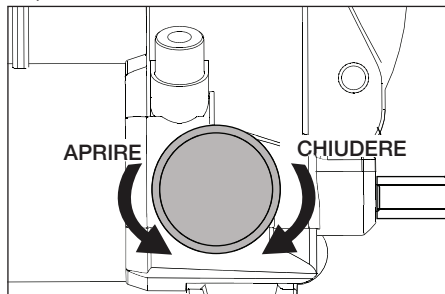


Figura 8, Valvola di scarico (tutte ad eccezione della P-84)



ATTENZIONE: Se la manopola della valvola di scarico ha difficoltà a girare oppure è bloccata, cessate immediatamente di usare la Pompa. Fare ispezionare e riparare la Pompa da un Centro di Servizio Autorizzato Enerpac.

5.4 Funzionamento della Pompa - Modello P-84

Il Modello P-84 è equipaggiato con una valvola di comando a 4 vie e 3 posizioni. Essa è progettata per funzionare con i cilindri a doppio effetto. Vedere le Figure 9 e 10.

1. Posizionare la leva sulla valvola a 4 vie per selezionare la funzione come segue:

(A) Flusso diretto al raccordo "A"; dal raccordo "B" il flusso ritorna al serbatoio.

(N) Neutro – i Raccordi "A" e "B" sono aperti verso il serbatoio.

(B) Flusso diretto al raccordo "B"; dal raccordo "A" il flusso ritorna al serbatoio.



AVVISO: La valvola non contiene alcun meccanismo di mantenimento del carico. Accertatevi che il carico sia supportato,

bloccandolo con dei supporti meccanici o altri supporti adatti allo scopo, prima di spostare la leva della valvola nella posizione neutra (N).

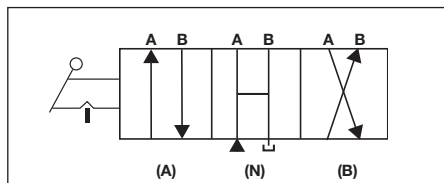


Figura 9, Diagramma della valvola a 4 vie (P-84)

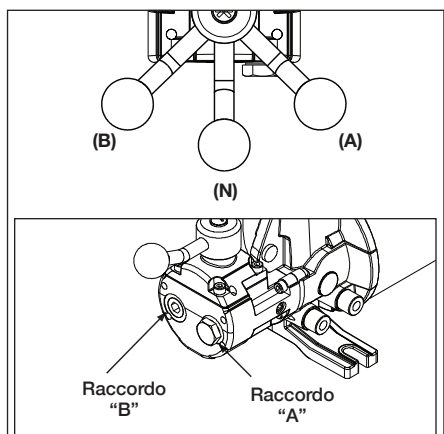


Figura 10, Posizioni della Leva della Valvola di Comando e collegamenti dei tubi flessibili (P-84)

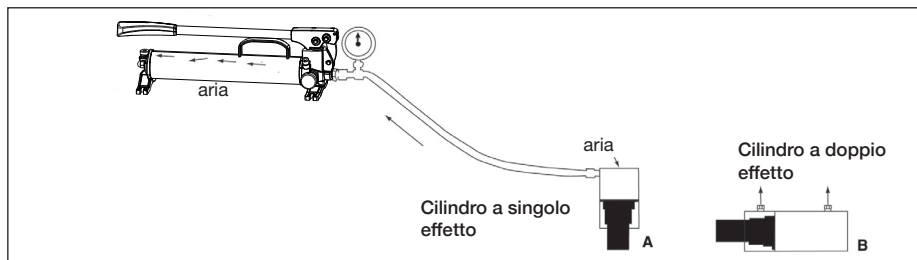


Figura 11, Spurgo dell'aria.

- Azionare la Pompa per lavorare.
- Cambiare le posizioni della valvola secondo come sia necessario.



AVVISO: Azionare il cilindro a doppio effetto solo quando entrambi i tubi flessibili siano collegati alla Pompa. Se un accoppiatore è lasciato non collegato, l'alta pressione si formerà dietro all'accoppiatore, che potrebbe causare il ferimento personale e/o danni all'equipaggiamento.

6.0 SPURGO DELL'ARIA

Lo spurgo dell'aria dal sistema idraulico aiuterà il cilindro ad avanzare dolcemente.

6.1 Pompa con cilindro a singolo effetto.

- Allentare e togliere il tappo di riempimento dell'olio per effettuare lo sfiato del serbatoio durante i seguenti passi:
- Chiudere completamente la valvola di scarico.
- Posizionare la Pompa in posizione orizzontale più in alto del cilindro. Vedere la Figura 11.
- Posizionare il cilindro con l'estremità del pistone in basso (in alto se si usa un cilindro a trazione).
- Azionare la Pompa per estendere completamente il cilindro. (ritrarre se si usa un cilindro a trazione).
- Aprire la valvola di scarico per ritrarre il cilindro (per estendere se si usa un cilindro a trazione). Questo obbligherà l'aria intrappolata ad andare verso l'alto nel serbatoio della Pompa.
- Ripetere i passi da 2 fino a 6 quanto necessario, ossia fino a che il funzionamento del cilindro sia morbido.
- Aggiungere olio se necessario. Vedere la Sezione 9.1.
- Reinstallare il tappo di riempimento dell'olio.

6.2 Pompa con cilindro a doppio effetto.

- Allentare il tappo di riempimento dell'olio di diversi giri per permettere al serbatoio di ventilarsi durante i passi seguenti.
- Posizionare la Pompa in posizione orizzontale più in alto del cilindro. Vedere la Figura 11.
- Porre il cilindro in posizione orizzontale con i raccordi verso l'alto.
- Fare avanzare e ritrarre completamente il cilindro 2 o 3 volte.
- Ripetere i passi da 2 a 4 quanto necessario, fino a che il funzionamento del cilindro sia morbido.
- Aggiungere olio se necessario. Vedere la Sezione 9.1.
- Reinstallare il tappo di riempimento dell'olio.

7.0 REGOLAZIONE DELLA VALVOLA DI SCARICO

1. **Tutti i Modelli ad eccezione del P-84:** Installare un manometro da 0-1000 bar [0- 15,000 psi] sul raccordo di uscita dell'olio dalla Pompa. Chiudere la valvola di scarico (girare completamente la manopola in senso orario fino a che si ferma).
2. **Modello P-84** soltanto: installare un manometro da 0-1000 bar [0-15,000 psi] sul raccordo "A" della Pompa. Installare un tappo sul tubo flessibile nel raccordo "B della Pompa". Spostare la leva della valvola di comando sulla posizione (A).
3. Usando una chiave Brugola (Allen) da 1/4", rimuovere il tappo anti-polvere sulla vite di regolazione della valvola di scarico.
 - Sui Modelli P-18 e P-39, la valvola di scarico è posizionata sulla superficie superiore della testa della Pompa. Vedere la Figura 12.
 - Sui Modelli, P-77, P-80, P-801 e P-84, la valvola di scarico è posizionata sul fianco della testa della pompa. Vedere la Figura 13.

Nota: Per ottenere una regolazione accurata durante i seguenti passi, diminuire sempre la pressione fino ad un punto al di sotto della regolazione finale desiderata e quindi aumentare lentamente la pressione fino a che si raggiunge il valore finale.

4. Usando una chiave Brugola (Allen) da 7/32", allentare la vite di regolazione della valvola di scarico di circa 2 giri. Vedere la Figura 14.
5. Quando si aziona la manopola della Pompa, girare lentamente la vite di regolazione della valvola di scarico in senso orario fino a che la pressione aumenti fino alla regolazione desiderata. La regolazione della pressione è indicata quando un pompaggio aggiuntivo non dà luogo ad una lettura più alta della pressione sul manometro.



ATTENZIONE: Non regolare mai la pressione della valvola di scarico al di sopra di 725 bar [10,500 psi]. Se questo

limite massimo è superato ne potrebbe derivare il ferimento personale. Possono anche verificarsi dei danni ai componenti della Pompa.

6. **Tutti i Modelli ad eccezione del P-84:** Dopo che si è ottenuto il valore desiderato della pressione, girare la valvola di regolazione della pressione in senso anti-orario per scaricare la pressione del sistema. Controllare che il manometro indichi zero (0) bar/psi.
7. **Solo per il Modello P-84:** Dopo che il valore desiderato è stato raggiunto, spostare la manopola della valvola sulla posizione neutra (N) per scaricare la pressione del sistema. Controllare che la pressione indicata sul manometro sia pari a zero (0) bar/psi.
8. **Tutti i Modelli ad eccezione della P-84:** Togliere il manometro dal raccordo d'uscita dell'olio dalla Pompa. Reinstallare il tappo anti-polvere sulla vite di regolazione della valvola di scarico.
9. Solo per il Modello P-84: Togliere il manometro dal raccordo "A" della Pompa. Togliere il tappo del tubo dal raccordo "B" della Pompa. Reinstallare il tappo anti-polvere sulla vite di regolazione sulla valvola di scarico.

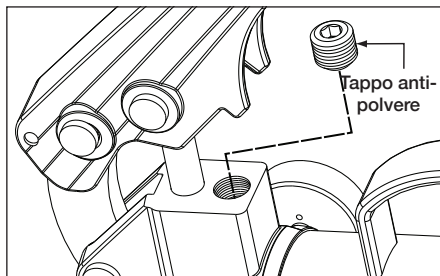


Figura 12, Valvola di scarico (P-18 e P-39)

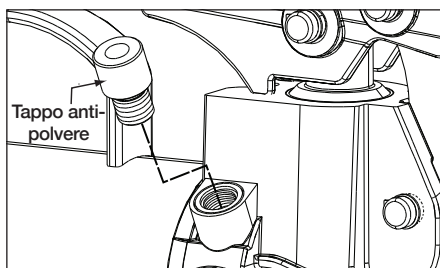


Figura 13, Valvola di scarico (P-77, P-80, P-801 e P-84)

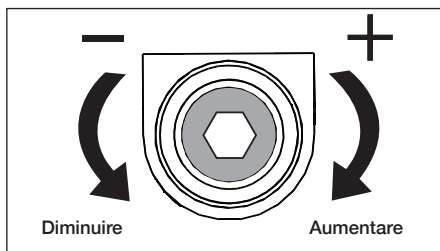


Figura 14, Vite di regolazione della Valvola di scarico

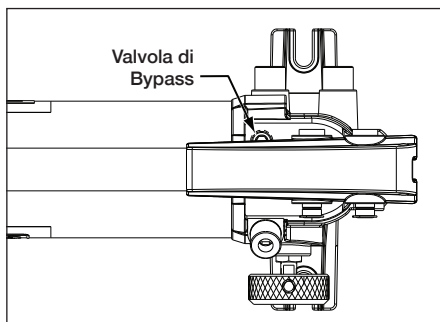


Figura 15, Valvola di Bypass (P-77, P-80, P-801 e P-84)

8.0 REGOLAZIONE DELLA VALVOLA DI BYPASS

MODELLI P-77, P-80, P-801 e P-84


La valvola di bypass controlla la pressione alla quale una Pompa a due velocità si sposta dal primo al secondo stadio. Vedere la Figura 15.

La valvola di bypass è regolata In fabbrica e non dovrebbe richiedere una ritaratura a meno che la Pompa sia stata revisionata oppure riparata. Se necessaria, la ritaratura deve essere effettuata da un Centro di Servizio Autorizzato Enerpac.

9.0 MANUTENZIONE

Usare solo olio idraulico Enerpac nella Pompa per garantire una lunga durata in esercizio alla Pompa e per proteggere la garanzia. Sono disponibili dei kits di guarnizioni di tenuta in Viton e gomma con etilene propilene per alcuni Modelli di Pompa. Contattare la Rappresentante Enerpac per avere maggiori informazioni su questi prodotti e le loro applicazioni

9.1 Rimbocco dell'olio nella Pompa

 **AVVISO:** Aggiungere sempre l'olio con i cilindri completamente ritratti (estesi se sono a trazione), oppure il sistema conterrà più olio di quanto ne possa contenere il serbatoio.

Controllare regolarmente Il livello dell'olio e rimboccarlo se necessario. Fare riferimento ai seguenti passi:

1. Posizionare la Pompa in posizione orizzontale su di una superficie piana.
2. Togliere il tappo di riempimento dell'olio dal serbatoio.
3. Controllare Il livello dell'olio. Vedere la Figura 16. Se Il livello dell'olio è basso, aggiungere dell'olio aggiuntivo fino a che Il livello dell'olio è sopra all'ultimo filetto dell'apertura del tappo di riempimento dell'olio.

IMPORTANTE: Non riempire eccessivamente. Un poco di spazio deve esserci nel serbatoio per permettere il funzionamento corretto. Se il serbatoio contiene troppo olio si formerà il vuoto, che impedisce il flusso dell'olio quando la Pompa è azionata.

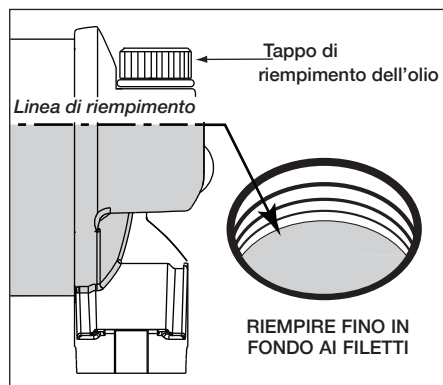


Figura 16, Livello Serbatoio dell'olio

4. Reinstallare Il tappo di riempimento dell'olio dopo Il rimbocco Accertarsi che il tappo sia completamente installato (non allentato). i
5. Se necessario spurgare l'aria dal sistema. Vedere la Sezione 6.0. Ricontrollare Il livello dell'olio dopo lo spurgo dell'aria.



AVVISO: Il tappo di riempimento dell'olio nella Pompa contiene un passaggio integrale di scarico della pressione, una caratteristica di sicurezza che impedisce la sovrappressurizzazione del serbatoio. Usare solo il tappo di riempimento dell'olio fornito con la Pompa oppure un tappo di ricambio dell'Enerpac delle stesse caratteristiche.



AVVISO: Non tentare mai di fare ritornare più olio nel serbatoio di quello che sia capace di contenere.

9.2 Cambio dell'olio

Scaricare tutto l'olio dal serbatoio e riempire con olio pulito Enerpac ogni 12 mesi. Se la Pompa è usata in ambienti sporchi, cambiare l'olio più di frequente.

1. Togliere il tappo di riempimento dell'olio dal serbatoio.
 2. Inclinare la pompa per scaricare l'olio vecchio.
- IMPORTANTE:** L'olio deve essere eliminato in accordo con le leggi ed i regolamenti applicabili.
3. Riempire il serbatoio con olio Enerpac nuovo. Fare riferimento alla Sezione 9.1 per informazioni aggiuntive.
 4. Reinstallare il tappo di riempimento dell'olio.

9.3 Lubrificazione

Per allungare la vita della Pompa ed aumentarne le prestazioni, lubrificare i tre pioli della maniglia della Pompa regolarmente, usando grasso per cuscinetti a rulli. Vedere la Figura 17.

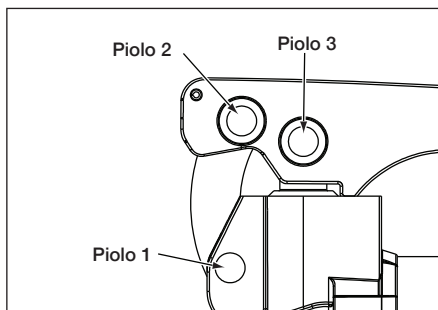


Figura 17, Punti di Lubrificazione

9.4 Mantenere pulite le linee dell'olio

Installare sempre i cappucci anti-polvere quando le metà di un accoppiatore sono scollegate. Per aiutare ad impedire il guasto della Pompa e di altri componenti, usare ogni precauzione per proteggere il sistema contro l'entrata di sporco e altro materiale estraneo.

10.0 GUIDA PER L'ELIMINAZIONE DEI DIFETTI

L'informazione nella guida per l'eliminazione dei difetti (vedere la Tabella 3) è intesa solo come un aiuto per facilitare la diagnosi e correggere i problemi che si possono presentare.

Un difetto nel sistema può o non può essere dovuto ad una disfunzione della Pompa. Per determinare la causa del problema, si deve includere il sistema completo nella completa procedura diagnostica

Per il servizio di riparazione, contattare il Centro di Servizio Autorizzato Enerpac più vicino. Solo un Centro di Servizio Autorizzato dovrebbe intervenire sulla Pompa o sui componenti del sistema.

Tabella 3, Guida all'Eliminazione dei Difetti - Serie ULTIMA di Pompe

Problema	Possibile Causa	Soluzione
Il Cilindro non avanza, avanza lentamente o in modo erratico.	<ol style="list-style-type: none"> 1. Basso livello olio nel serbatoio della Pompa. 2. Aggiungere olio secondo le istruzioni nella Sezione 9.1. 3. Regolazione della valvola di scarico troppo bassa. 4. Accoppiatore idraulico non collegato correttamente. 5. Il carico è troppo pesante. 6. Aria intrappolata nel sistema. 7. Serbatoio troppo pieno. 8. Pistone del Cilindro grippato. 	<ol style="list-style-type: none"> 1. Aggiungere olio secondo le istruzioni nella Sezione 9.1. 2. Chiudere la valvola di scarico. 3. Regolare la valvola di scarico secondo le istruzioni nella Sezione 7.0. 4. Controllare che tutti gli accoppiatori siano completamente serrati. 5. Non tentare di sollevare di più del tonnellaggio previsto. 6. Scaricare l'aria secondo le istruzioni nella Sezione 6.0. 7. Togliere l'eccesso di olio dal serbatoio. Nota: Se il cilindro funziona normalmente quando il tappo di riempimento dell'olio nella Pompa è allentato, il serbatoio potrebbe essere troppo pieno. 8. Controllare eventuali danni al cilindro. Far effettuare la manutenzione da un Centro di Servizio Autorizzato Enerpac .
Cilindro che avanza, ma non mantiene la pressione.	<ol style="list-style-type: none"> 1. Raccordo che perde 2. Guarnizioni di tenuta che perdono. 3. Perdita interna nella Pompa. 4. Regolazione della Valvola di Bypass troppo bassa. (Modello P-77, P-80, P-801 e P-84) 	<ol style="list-style-type: none"> 1. Controllare che tutti i collegamenti siano stretti e a tenuta senza perdite. 2. Localizzare la(e) perdita(e) e far effettuare la manutenzione da un Centro di Servizio Autorizzato Enerpac 3. Far effettuare la manutenzione della Pompa da un Centro di Servizio Autorizzato Enerpac. 4. Fare effettuare la regolazione della valvola di bypass da un Centro di Servizio Autorizzato Enerpac.
Cilindro che non ritorna in parte, oppure ritorna più lentamente del normale.	<ol style="list-style-type: none"> 1. Valvola di scarico chiusa. 2. Serbatoio troppo pieno. 3. Accoppiatore idraulico non correttamente collegato. 4. Aria intrappolata nel sistema. 5. Diametro interno del tubo flessibile troppo stretto. 6. Molla di ritorno del cilindro rotta oppure un altro danno al cilindro. 7. Valvola in linea chiusa. 	<ol style="list-style-type: none"> 1. Aprire la valvola di scarico. 2. Togliere l'eccesso di olio dal serbatoio. Nota: Se il cilindro funziona normalmente quando il tappo di riempimento dell'olio nella Pompa è allentato, il serbatoio potrebbe essere troppo pieno. 3. Controllare che tutti gli accoppiatori siano completamente serrati. 4. Scaricare l'aria secondo le istruzioni nella Sezione 6.0. 5. Usare un tubo idraulico flessibile più largo. 6. Far fare la manutenzione del cilindro da un Centro di Servizio Autorizzato Enerpac 7. Accertarsi che le valvole in linea (se usate) siano correttamente tarate.

Nota: Per trovare il Centro di Servizio Autorizzato Enerpac visitare www.enerpac.com.

L3070 Rev. F 03/17

Las hojas de despiece para este producto están disponibles en la página web de Enerpac en la dirección www.enerpac.com, o en su centro de Asistencia Técnica ó punto de venta Enerpac mas cercano.

1.0 IMPORTANTES INSTRUCCIONES DE RECEPCIÓN

Inspeccione visualmente todos los componentes para verificar si hay daños de envío. Debido a que la garantía **no** ampara daños por envío, si los hubiese, infórmeselo inmediatamente a la empresa de transportes, puesto que ésta es responsable de todos los gastos de reparaciones o reemplazo que resulten por daños de envío.

SEGURIDAD PRIMERO

2.0 ASPECTOS DE SEGURIDAD



Lea todas las instrucciones, advertencias y precauciones. Acate todas las precauciones de seguridad para evitar lesiones personales o daños a la propiedad durante la operación del sistema. ENERPAC no puede ser responsable de daños o lesiones que resulten de no usar el producto de forma segura, falta de mantenimiento o aplicación incorrecta del producto y/u operación del sistema. Comuníquese con ENERPAC si tuviese dudas sobre las precauciones de seguridad o sobre las aplicaciones. Si nunca ha sido capacitado en seguridad hidráulica de alta presión, consulte a su distribuidor o centro de servicio para obtener un curso de seguridad gratis denominado ENERPAC Hydraulic.

El no cumplir con las siguientes precauciones y advertencias podría causar daños al equipo y lesiones personales.

Una **PRECAUCIÓN** se utiliza para indicar procedimientos y prácticas de operación o mantenimiento correctos para evitar daños o la destrucción de equipo u otra propiedad.

Una **ADVERTENCIA** indica un potencial peligro que requiere de procedimientos o prácticas correctos para evitar lesiones personales.

Un **PELIGRO** se utiliza sólo cuando su acción o falta de acción podría causar lesiones graves o incluso la muerte.



ADVERTENCIA: Use el equipo de protección personal adecuado cuando opere equipo hidráulico.



ADVERTENCIA: Manténgase alejado de las cargas soportadas por sistemas hidráulicos. Cuando un cilindro se utiliza como dispositivo para levantar carga, nunca debería usarse como dispositivo para sostener carga. Después de que la carga haya sido levantada o descendida, debe bloquearse siempre en forma mecánica.



ADVERTENCIA: USE SÓLO PIEZAS RÍGIDAS PARA SOSTENER CARGAS.

Seleccione cuidadosamente bloques de acero o de madera capaces de soportar la carga. Nunca use un cilindro hidráulico como calza o separador en aplicaciones de levantamiento o presión.



PELIGRO: Para evitar lesiones personales, mantenga las manos y los pies alejados del cilindro y pieza de trabajo durante la operación.



ADVERTENCIA: No sobrepase el valor nominal del equipo. Nunca intente levantar una carga que pese más de la capacidad del cilindro. Las sobrecargas ocasionan fallas del equipo y posibles lesiones personales. Los cilindros están diseñados para resistir una presión máxima de 700 bar. No conecte un gato o cilindro a una bomba cuyo valor nominal de presión es mayor que el indicado.



ADVERTENCIA: nunca ajuste la presión de la válvula de alivio por encima de 725 bares [10.500 psi]. Podrían producirse lesiones personales si se excede este límite máximo. También podrían producirse daños en la bomba y los componentes.



ADVERTENCIA: La presión de operación del sistema no debe sobrepasar el valor nominal de presión del componente con el valor nominal más bajo en el sistema.

Instale manómetros de presión en el sistema para vigilar la presión de operación. Es su ventana a lo que está sucediendo en el sistema.



PRECAUCIÓN: Evite dañar la manguera hidráulica. Evite pliegues y curvas agudas al guiar las mangueras hidráulicas. Usar una manguera con pliegues o curvas puede causar severa contrapresión. Los pliegues y curvas agudas causarían daños internos la manguera, lo que ocasionará que ésta falle prematuramente.



No deje caer objetos pesados sobre la manguera. Un impacto directo puede causar daños internos a las hebras de alambre de la manguera. Aplicar presión a una manguera dañada puede ocasionar que se quiebre.



IMPORTANTE: No levante el equipo hidráulico por las mangueras o acopladores giratorios. Use el mango de transporte u otros medios para transportarla con seguridad.



PRECAUCIÓN: Mantenga el equipo hidráulico alejado de las llamas y el calor. El calor en exceso ablandará las juntas y sellos, lo que resultará en fugas de líquidos. Asimismo, el calor debilita los materiales de la manguera y juntas. Para lograr un rendimiento óptimo, no exponga el equipo a temperaturas de 65 °C [150 °F] o mayores. Proteja las mangueras y cilindros de salpicaduras de soldadura.



PELIGRO: No manipule mangueras bajo presión. El aceite que escape bajo presión puede penetrar la piel y causar lesiones graves. Si se inyecta aceite bajo la piel, consulte a un médico inmediatamente.



ADVERTENCIA: Use cilindros hidráulicos únicamente en sistemas acoplados. Nunca use un cilindro si los acopladores no están conectados. Si el cilindro se sobrecarga, los componentes pueden fallar calamitosamente, lo que causaría lesiones personales graves.



ADVERTENCIA: Asegurese que el equipo sea antes de levantar la carga. El cilindro debe colocarse sobre una superficie plana capaz de soportar la carga. De ser necesario, utilice una base de cilindro para mayor estabilidad. No suelde ni modifique el cilindro en modo alguno para fijarle una base u otro medio de soporte.



Evite las situaciones en las cuales las cargas no estén directamente centradas sobre el émbolo del cilindro. Las cargas descentradas producen un esfuerzo considerable sobre los cilindros y los émbolos. Adeás, la carga podría resbalar o caerse, creando situaciones potencialmente peligrosas.



Distribuya la carga uniformemente sobre la superficie total del asiento del cilindro. Siempre utilice un asiento para proteger el émbolo cuando no se usen accesorios roscados.



IMPORTANTE: Únicamente técnicos calificados en sistemas hidráulicos habrán de prestarle servicio al equipo hidráulico. Comuníquese con el Centro de Servicio ENERPAC autorizado en su zona para prestarle servicio de reparaciones. Use únicamente aceite ENERPAC a fin de proteger su garantía.



ADVERTENCIA: Reemplace inmediatamente las piezas gastadas o dañadas por piezas ENERPAC genuinas. Las piezas de clasificación estándar se romperán, lo que causará lesiones personales y daños a la propiedad. Las piezas ENERPAC están diseñadas para encajar debidamente y resistir altas cargas.

3.0 INFORMACIÓN DEL PRODUCTO

Tabla 1, Especificaciones – Bombas manuales de la serie ULTIMA

Modelo de bomba	Tipo de bomba (velocidad)	Presión nominal máxima		Volumen de aceite por carrera		Capacidad de aceite	Peso con aceite	Esfuerzo máximo de la palanca
		bar [psi]		cm ³ [in ³]				
		Etapa 1	Etapa 2	Etapa 1	Etapa 2	cm ³ [in ³]	kg [lb]	kg [lb]
P-18	1	—	200 [2 850]	—	2,46 [0,15]	360 [22]	5,0 [11,0]	16 [36]
P-39	1	—	700 [10 000]	—	2,46 [0,15]	769 [47]	6,2 [13,6]	38 [85]
P-77	2	34 [500]	700 [10 000]	16,38 [1,00]	2,46 [0,15]	769 [47]	7,1 [15,6]	40 [88]
P-80	2	34 [500]	700 [10 000]	16,38 [1,00]	2,46 [0,15]	2195 [134]	10,7 [23,6]	35 [77]
P-801	2	34 [500]	700 [10 000]	16,38 [1,00]	2,46 [0,15]	4095 [250]	14,0 [31,0]	35 [77]
P-84	2	34 [500]	700 [10 000]	16,38 [1,00]	2,46 [0,15]	2195 [134]	11,7 [26,0]	35 [77]

Tabla 2, Características y componentes principales – Bombas manuales de la serie ULTIMA

Elemento (véanse las figuras 1 a 4 para conocer la ubicación de los elementos)	Modelo de bomba					
	P-18	P-39	P-77	P-80	P-801	P-84
A	Válvula de descarga	Válvula de descarga	Válvula de descarga	Válvula de descarga	Válvula de descarga	Válvula de control de 4 vías, 3 pos.
B	Un orificio de salida NPTF de 9,52 mm (3/8 pulg.)	Un orificio de salida NPTF de 9,52 mm (3/8 pulg.)	Un orificio de salida NPTF de 9,52 mm (3/8 pulg.)	Un orificio de salida NPTF de 9,52 mm (3/8 pulg.)	Un orificio de salida NPTF de 9,52 mm (3/8 pulg.)	Dos orificios de salida NPTF de 9,52 mm (3/8 pulg.)
C	Tapón de llenado del aceite	Tapón de llenado del aceite	Tapón de llenado del aceite	Tapón de llenado del aceite	Tapón de llenado del aceite	Tapón de llenado del aceite
D	Ranuras de montaje	Ranuras de montaje	Ranuras de montaje	Ranuras de montaje	Ranuras de montaje	Ranuras de montaje
E	Válvula de alivio ajustable por el usuario	Válvula de alivio ajustable por el usuario	Válvula de alivio ajustable por el usuario	Válvula de alivio ajustable por el usuario	Válvula de alivio ajustable por el usuario	Válvula de alivio ajustable por el usuario
F	—	—	—	Orificio de retorno al depósito NPTF de 9,52 mm (3/8 pulg.)	Orificio de retorno al depósito NPTF de 9,52 mm (3/8 pulg.)	—
G	—	—	Válvula de derivación	Válvula de derivación	Válvula de derivación	Válvula de derivación



PRECAUCIÓN: utilice siempre el asa de levantamiento/transporte de la bomba para transportar la bomba. Si transporta la bomba asíndola por la manguera puede dañar la manguera y/o la bomba.

3.1 Características y componentes principales de la bomba

Véanse las figuras 1 a 4 para conocer la ubicación de las características y componentes principales de la bomba. Consulte la Tabla 2 para ver las descripciones de los elementos A a G.

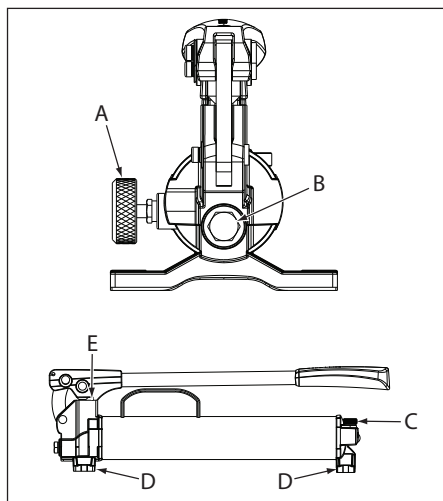


Figura 1, Modelos P-18 y P-39

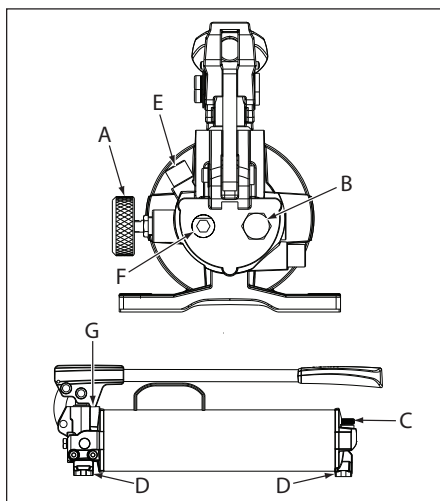


Figura 3, Modelos P-80 y P-801

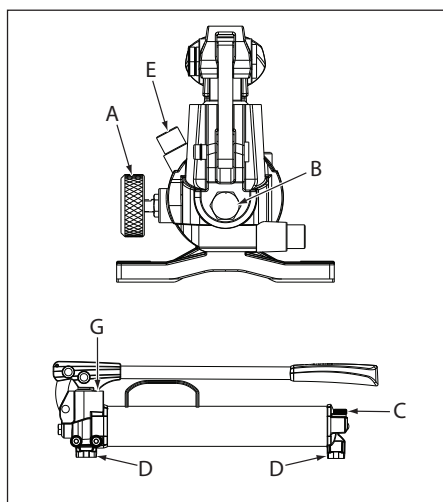


Figura 2, Modelo P-77

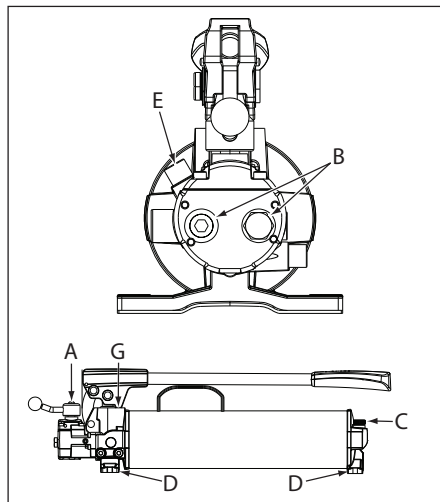


Figura 4, Modelo P-84

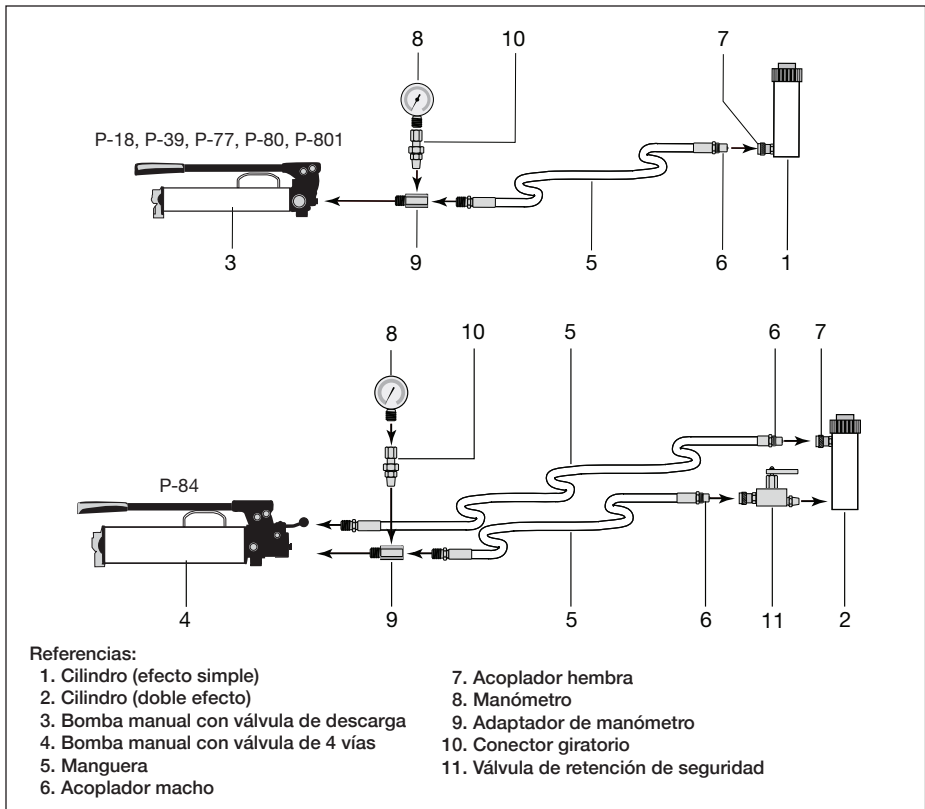


Figura 5, Conexiones hidráulicas (típicas)

4.0 INSTALACIÓN

4.1 Conexión de la bomba

1. Retire los tapones de transporte de los orificios de salida de la bomba.
2. Ajuste la válvula de alivio al límite de presión hidráulica deseado. Consulte la Sección 7.0 para ver las instrucciones.
3. Conecte las mangueras a la bomba. Para sellar las roscas, utilice un sello de roscas anaeróbico, pasta de Teflon® o cinta de Teflon®.

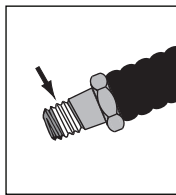


Figura 6

IMPORTANTE: cuando utilice cinta de Teflon®, no aplique la cinta a la última rosca del extremo del conector para evitar que se introduzcan trozos de cinta en el sistema hidráulico. Véase Figura 6.

4. Instale un manómetro en línea desde la bomba para conseguir mayor seguridad y mejor control.
5. Conecte las mangueras a su cilindro o herramienta.
 - Para cilindros de efecto simple, conecte una manguera desde la bomba hasta el cilindro.
 - Para cilindros de doble efecto, conecte dos mangueras. Conecte una manguera desde el

orificio (A) de la bomba hasta el orificio de avance del cilindro. Conecte otra manguera desde el orificio (B) de la bomba hasta el orificio de retroceso del cilindro.

Sólo modelos P-80 y P-801: si se está utilizando una válvula externa reductora de presión en el circuito, conecte el orificio del depósito de la válvula al orificio de retorno al depósito de la bomba.

Nota: los cilindros, mangueras y accesorios mostrados en la Figura 5 se venden por separado y no se incluyen con la bomba. Consulte el catálogo de Enerpac para ver una descripción completa de componentes y accesorios disponibles. Los componentes exactos necesarios para su sistema variarán en función de la aplicación y otros factores.

4.2 Ventilación de la bomba

Las bombas manuales de la serie ULTIMA están diseñadas para un funcionamiento sin ventilación. El tapón de llenado del aceite puede aflojarse si es necesario para dar salida a aire del sistema, pero debe estar completamente instalado antes de utilizar la bomba.

IMPORTANTE: para evitar que entren contaminantes en el sistema hidráulico, no ponga en funcionamiento la bomba si el tapón de llenado del aceite se ha aflojado o retirado.

4.3 Posición de la bomba

La bomba puede funcionar en posición horizontal o vertical. Véase Figura 7.

Si funciona en posición vertical, el extremo de la manguera de la bomba debe estar orientado hacia abajo, ya que de lo contrario captará aire y no incrementará adecuadamente la presión.

Nota: la bomba no está diseñada para funcionamiento en posición invertida (boca abajo).

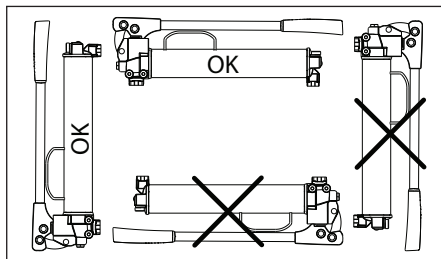


Figura 7, Orientación de la bomba

5.0 FUNCIONAMIENTO

5.1 Antes de usar la bomba

1. Compruebe todas las conexiones del sistema para garantizar que están apretadas y no tienen fugas.
2. Compruebe el nivel de aceite del depósito y, si es necesario, añada aceite. Consulte las instrucciones de la Sección 9.1.
3. Lea y comprenda las siguientes precauciones antes de utilizar la bomba:



ADVERTENCIA: en determinadas situaciones es posible que la palanca de la bomba “rebote”. Mantenga siempre el cuerpo a un lado de la bomba y lejos de la línea de fuerza de la palanca.



ADVERTENCIA: cuando accione la palanca de la bomba, mantenga las manos y los dedos alejados de la zona de peligro de lesión entre la palanca de la bomba y el asa de levantamiento/transporte.



PRECAUCIÓN: retire siempre los tapones de transporte de los orificios de salida de la bomba y sustitúyalos por conectores hidráulicos adecuados antes de accionar la palanca de la bomba. Si acciona la palanca de la bomba con los tapones instalados, los tapones podrían ser expulsados de los orificios violentamente, pudiendo ocasionar daños personales.



PRECAUCIÓN: nunca añada extensiones a la palanca de la bomba. Las extensiones pueden provocar un funcionamiento inestable de la bomba.



PRECAUCIÓN: para evitar daños mecánicos, no tire de la palanca de la bomba cuando haya alcanzado el final de carrera. No aplique fuerza lateral a la palanca de la bomba.

IMPORTANTE: para reducir el esfuerzo de la palanca a alta presión, realice carreras cortas. El máximo efecto de palanca se obtiene en los últimos 5 grados de carrera.

5.2 Caudal en dos etapas

Modelos P-77, P-80, P-801 y P-84

Las bombas de dos velocidades proporcionan caudal en dos etapas. Sin carga, la bomba funciona en la primera etapa de gran caudal para un avance rápido. Cuando entra en contacto con la carga, la bomba cambia automáticamente a la segunda etapa para incrementar la presión. Después de que la bomba cambie, el bombeo cuesta menos esfuerzo.

Nota: para obtener mejor rendimiento, accione la palanca de la bomba a velocidad moderada durante la primera etapa de gran caudal. Una velocidad alta de palanca en la primera etapa evitará que la bomba suministre todo el volumen de aceite.

5.3 Funcionamiento de la bomba

Modelos P-18, P-39, P-77, P-80 y P-801

Todos los modelos de bomba excepto el P-84 están diseñados para el uso con cilindros de efecto simple y están equipados con una válvula de descarga integrada.

1. Cierre la válvula de descarga girando el botón en el sentido de las agujas del reloj hasta el tope. Véase Figura 8.



PRECAUCIÓN: cierre la válvula de descarga apretando SÓLO con las manos. Si utiliza herramientas en la válvula de descarga podría dañarla y provocar un mal funcionamiento de la bomba.

2. Accione la palanca de la bomba para que suministre potencia hidráulica al sistema. La presión se mantendrá hasta que se abra la válvula de descarga.
3. Abra la válvula de descarga girando el botón en el sentido contrario a las agujas del reloj. La presión se liberará, permitiendo que el aceite vuelva al depósito.

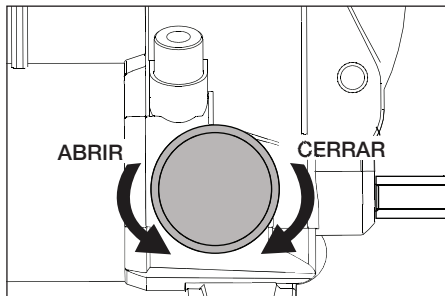


Figura 8, Válvula de descarga (todos excepto P-84)



PRECAUCIÓN: si resulta difícil girar el botón de la válvula de descarga o este se atasca, deje inmediatamente de utilizar la bomba. Solicite la inspección de la bomba y la reparación en un centro de servicio técnico autorizado Enerpac.

5.4 Funcionamiento de la bomba - Modelo P-84

El modelo P-84 está equipado con una válvula de control de 3 posiciones y 4 vías. Está diseñado para el uso con cilindros de doble efecto. Véanse las figuras 9 y 10.

1. Coloque la palanca en la válvula de 4 vías para seleccionar la función como se indica a continuación:

(A) Caudal dirigido al orificio "A"; el orificio "B" devuelve el caudal al depósito.

(N) Neutral – los orificios "A" y "B" se abren al depósito.

(B) Caudal dirigido al orificio "B"; el orificio "A" devuelve el caudal al depósito.



ADVERTENCIA: La válvula no cuenta con ningún dispositivo de soporte de la carga. Asegurarse de que la carga está soportada mediante bloques, soportes mecánicos u otros soportes adecuados antes de mover la palanca de la válvula a la posición neutral (N).

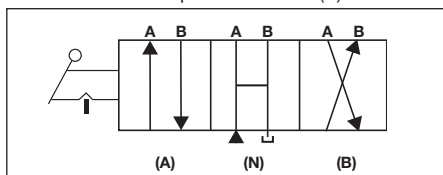


Figura 9, Diagrama de válvula de 4 vías (P-84)

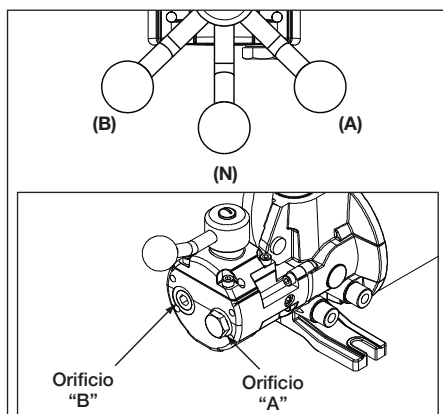


Figura 10, Posiciones de la palanca de la válvula de control y conexiones de manguera (P-84)

2. Accione la bomba para realizar el trabajo.
3. Cambie las posiciones de la válvula como sea necesario.



ADVERTENCIA: accione el cilindro de doble efecto únicamente cuando ambas mangueras estén conectadas a la bomba.

Si se deja un acoplador sin conectar, se generará alta presión detrás del acoplador que podría causar lesiones personales y/o daños en el equipo.

6.0 ELIMINACIÓN DE AIRE

Eliminar aire del sistema hidráulico ayudará al cilindro a avanzar y retroceder suavemente.

6.1 Bomba con cilindro de efecto simple

1. Afloje y retire el tapón de llenado del aceite para proporcionar ventilación al depósito durante los siguientes pasos.
2. Cierre completamente la válvula de descarga.
3. Coloque la bomba en posición horizontal a una altura superior a la del cilindro. Véase Figura 11.
4. Coloque el cilindro con el extremo del émbolo hacia abajo (arriba si está utilizando un cilindro de tracción).
5. Accione la bomba para extender completamente el cilindro (retroceder si está utilizando un cilindro de tracción).
6. Abra la válvula de descarga para hacer retroceder el cilindro (extender si está utilizando un cilindro de tracción). De esta manera, el aire retenido será forzado a desplazarse hacia arriba al depósito de la bomba.
7. Repita los pasos 2 a 6, como sea necesario, hasta que el funcionamiento del cilindro sea suave.
8. Añada aceite si es necesario. Véase Sección 9.1.
9. Vuelva a instalar el tapón de llenado del aceite.

6.2 Bomba con cilindro de doble efecto

1. Afloje el tapón de llenado del aceite varias vueltas para proporcionar ventilación al depósito durante los siguientes pasos.
2. Coloque la bomba en posición horizontal a una altura superior a la del cilindro. Véase Figura 11.
3. Coloque el cilindro en posición horizontal con los orificios hacia arriba.
4. Haga avanzar y retroceder completamente el cilindro 2 o 3 veces.
5. Repita los pasos 2 a 4, como sea necesario, hasta que el funcionamiento del cilindro sea suave.
6. Añada aceite si es necesario. Véase Sección 9.1.
7. Vuelva a instalar el tapón de llenado del aceite.

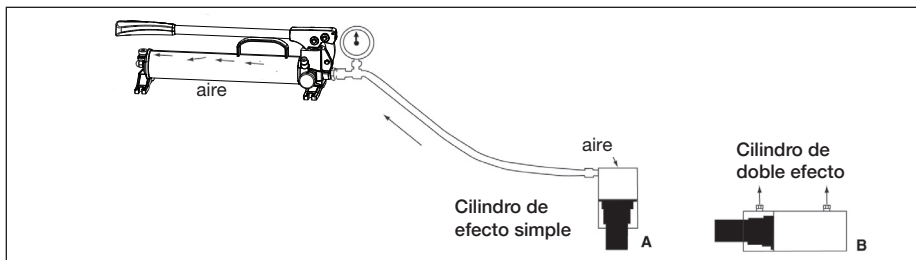


Figura 11, Eliminación de aire

7.0 AJUSTE DE LA VÁLVULA DE ALIVIO

1. **Todos los modelos excepto P-84:** instale un manómetro de 0-1.000 bares [0-15.000 psi] en el orificio de salida de aceite de la bomba. Cierre la válvula de descarga (gire el botón en el sentido de las agujas del reloj hasta el tope).
2. **Sólo modelo P-84:** instale un manómetro de 0-1.000 bares [0-15.000 psi] en el orificio "A" de la bomba. Instale un tapón de tubería en el orificio "B" de la bomba. Mueva la palanca de la válvula de control hasta la posición (A).
3. Utilizando una llave Allen de 1/4", retire el tapón guardapolvo del tornillo de ajuste de la válvula de alivio.
 - En los modelos P-18 y P-39, la válvula de alivio está situada en la superficie superior del cabezal de la bomba. Véase Figura 12.
 - En los modelos P-77, P-80, P-801 y P-84, la válvula de alivio está situada en el lateral del cabezal de la bomba. Véase Figura 13.

Nota: para conseguir un ajuste preciso durante los siguientes pasos, reduzca siempre la presión hasta un punto *por debajo* del valor definitivo y después vaya aumentando gradualmente la presión hasta alcanzar el ajuste definitivo.

4. Utilizando una llave Allen 7/32", afloje el tornillo de ajuste de la válvula de alivio unas 2 vueltas. Véase Figura 14.
5. Mientras acciona la palanca de la bomba, gire lentamente el tornillo de ajuste de la válvula de alivio en el sentido de las agujas del reloj hasta que la presión se incremente hasta el valor deseado. El ajuste de la presión se alcanza cuando el bombeo adicional no genera una lectura de mayor presión en el manómetro.



ADVERTENCIA: nunca ajuste la presión de la válvula de alivio por encima de 725 bares [10.500 psi]. Podrían producirse lesiones personales si se excede este límite máximo.

También podrían producirse daños en la bomba y los componentes.

6. **Todos los modelos excepto P-84:** después de obtener el ajuste deseado, gire el contador de la válvula de descarga en el sentido de las agujas del reloj para liberar presión del sistema. Compruebe que el manómetro indica cero (0) bares/psi.
7. **Sólo modelo P-84:** después de obtener el valor deseado, mueva la palanca de la válvula hasta la posición neutra (N) para liberar presión del sistema. Compruebe que el manómetro indica cero (0) bares/psi.
8. Todos los modelos excepto P-84: retire el manómetro del orificio de salida de aceite de la bomba. Vuelva a instalar el tapón guardapolvo en el tornillo de ajuste de la válvula de alivio.
9. **Sólo modelo P-84:** retire el manómetro del orificio "A" de la bomba. Retire el tapón de tubería del orificio "B" de la bomba. Vuelva a instalar el tapón guardapolvo en el tornillo de ajuste de la válvula de alivio.

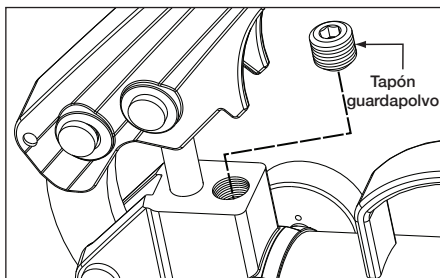


Figura 12, Válvula de alivio (P-18 y P-39)

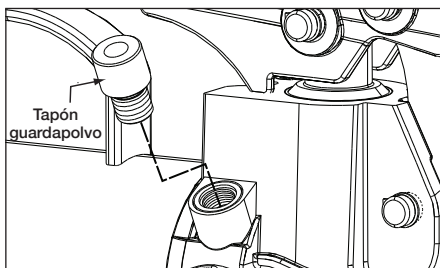


Figura 13, Válvula de alivio (P-77, P-80, P-801 y P-84)

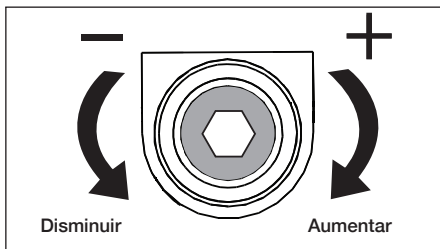


Figura 14, Tornillo de ajuste de la válvula de alivio

8.0 AJUSTE DE LA VÁLVULA DE DERIVACIÓN MODELOS P-77, P-80, P-801 y P-84

La válvula de derivación controla la presión a la que la bomba de dos velocidades cambia de la primera a la segunda etapa. Véase Figura 15.

La válvula de derivación está ajustada en fábrica y no requiere ajuste a no ser que la bomba se revise o repare. En caso necesario, el reajuste únicamente debe ser realizado por un centro de servicio técnico autorizado Enerpac.

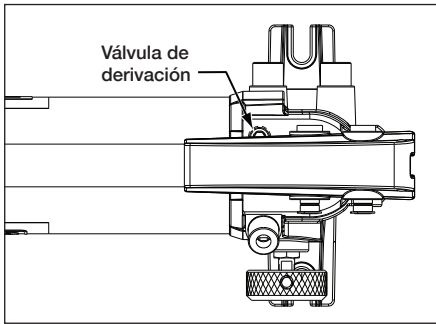


Figura 15, Válvula de derivación (P-77, P-80, P-801 y P-84)

9.0 MANTENIMIENTO

Utilice únicamente aceite hidráulico Enerpac en la bomba para potenciar una larga vida útil de la bomba y proteger su garantía. Hay disponible Viton y conjuntos de sellos de caucho etileno propileno para algunos modelos de bomba manual. Póngase en contacto con su representante de Enerpac para más información sobre estos productos y sus aplicaciones.

9.1 Adición de aceite a la bomba



ADVERTENCIA: añada siempre el aceite con los cilindros completamente retraídos (extendidos si son cilindros de tracción) o el sistema admitirá más aceite del que el depósito puede contener.

Compruebe el nivel de aceite periódicamente y añada aceite si es necesario. Siga los siguientes pasos:

1. Coloque la bomba en posición horizontal sobre una superficie nivelada.
2. Retire el tapón de llenado del aceite del depósito.
3. Compruebe el nivel de aceite. Véase Figura 16. Si el nivel de aceite es bajo, añada más aceite hasta que alcance la rosca inferior de la abertura del tapón de llenado del aceite.

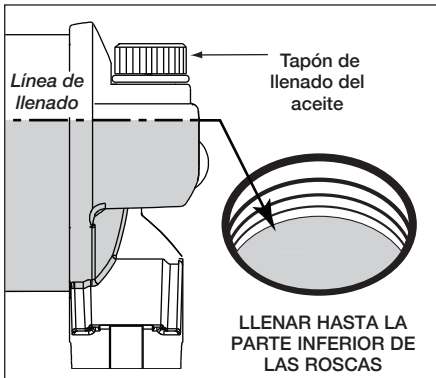


Figura 16, Nivel de aceite del depósito

IMPORTANTE: no lo llene en exceso. El depósito debe tener un pequeño espacio para aire para que funcione correctamente. Si el depósito contiene demasiado aceite, se formará vacío, evitando el flujo de aceite cuando se accione la bomba.

4. Vuelva a instalar el tapón de llenado del aceite después de añadir aceite. Asegúrese de que el tapón está completamente instalado (no flojo).
5. Retire el aire del sistema si es necesario. Véase Sección 6.0. Vuelva a comprobar el nivel de aceite después de eliminar aire.



ADVERTENCIA: el tapón de llenado del aceite de la bomba dispone de una ranura de alivio de presión integrada, una característica de seguridad que evita la sobrepresurización del depósito. Utilice únicamente el tapón de llenado del aceite suministrado con la bomba o un tapón de sustitución original de Enerpac de especificaciones idénticas.



ADVERTENCIA: nunca intente restituir más aceite al depósito del que es capaz de albergar.

9.2 Cambio de aceite

Drene todo el aceite del depósito y vuelva a llenar con aceite Enerpac limpio cada 12 meses. Si la bomba se usa en entornos sucios, cambie el aceite con más frecuencia.

1. Retire el tapón de llenado del aceite del depósito.
2. Incline la bomba para drenar el aceite usado.

IMPORTANTE: elimine todo el aceite usado de acuerdo con toda la legislación y normas aplicables.

3. Llene el depósito con aceite Enerpac nuevo. Consulte la Sección 9.1 para obtener información adicional.
4. Vuelva a instalar el tapón de llenado del aceite.

9.3 Lubricación

Para prolongar la vida útil de la bomba y mejorar el rendimiento, lubrique los tres pasadores de la palanca periódicamente utilizando grasa de cojinete de rodillos. Véase Figura 17.

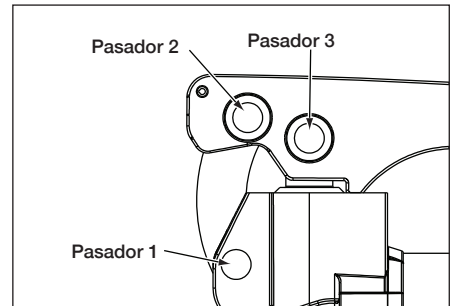


Figura 17, Puntos de lubricación

9.4 Mantenimiento de la limpieza de las líneas de aceite

Instale siempre tapas guardapolvo cuando estén desconectadas las mitades del acoplador. Para evitar que la bomba y otros componentes fallen, adopte todas las precauciones para proteger el sistema contra la entrada de suciedad y otras materias extrañas.

10.0 GUÍA DE SOLUCIÓN DE PROBLEMAS

La información de la guía de solución de problemas (consulte la Tabla 3) está diseñada como ayuda para realizar un diagnóstico y corregir algunos problemas que puedan producirse.

Una avería en el sistema podría o no ser el resultado de un funcionamiento defectuoso de la bomba. Para averiguar la causa del problema, el sistema deberá someterse a un completo procedimiento de diagnóstico.

Para servicio de reparación, contacte con su centro de servicio técnico autorizado Enerpac. Únicamente un centro de servicio técnico autorizado Enerpac debe reparar la bomba o los componentes del sistema.

Tabla 3, Guía de solución de problemas - Bombas manuales de la serie ULTIMA

Problema	Posible causa	Solución
El cilindro no avanza, avanza lentamente o avanza incorrectamente.	<ol style="list-style-type: none"> 1. Bajo nivel de aceite en el depósito de la bomba. 2. Válvula de descarga abierta o no completamente cerrada. 3. Ajuste de la válvula de alivio demasiado bajo. 4. Acoplador hidráulico conectado incorrectamente. 5. La carga es demasiado pesada. 6. Hay aire en el sistema. 7. Depósito sobrellenado. 8. El émbolo del cilindro está atascado. 	<ol style="list-style-type: none"> 1. Añada aceite de acuerdo con las instrucciones de la Sección 9.1. 2. Cierre la válvula de descarga. 3. Ajuste la presión de la válvula de alivio de acuerdo con las instrucciones de la Sección 7.0. 4. Compruebe que todos los acopladores están correctamente apretados. 5. No intente levantar más tonelaje del especificado. 6. Elimine aire de acuerdo con las instrucciones de la Sección 6.0. 7. Elimine el exceso de aceite del depósito. Nota: si el cilindro funciona normalmente cuando el tapón de llenado está flojo, el depósito puede sobrellenarse con aceite. 8. Compruebe posibles daños en el cilindro. Solicite la reparación del cilindro en un centro de servicio técnico autorizado Enerpac.
El cilindro avanza, pero no soporta presión.	<ol style="list-style-type: none"> 1. Hay fugas en una conexión. 2. Hay fugas en los sellos. 3. Fuga interna en la bomba. 4. Ajuste de la válvula de derivación demasiado bajo. (Modelos P-77, P-80, P-801 y P-84) 	<ol style="list-style-type: none"> 1. Compruebe que todas las conexiones están apretadas y no tienen fugas. 2. Localice las fugas y solicite la reparación del equipo a un centro de servicio técnico autorizado Enerpac. 3. Solicite la reparación de la bomba en un centro de servicio técnico autorizado Enerpac. 4. Solicite el ajuste del valor de la válvula de derivación a un centro de servicio técnico autorizado Enerpac.
El cilindro no retrocede, retrocede parcialmente, o retrocede más lentamente de lo normal.	<ol style="list-style-type: none"> 1. Válvula de descarga cerrada. 2. Depósito sobrellenado. 3. Acoplador hidráulico conectado incorrectamente. 4. Hay aire en el sistema. 5. El diámetro interior de la manguera es demasiado estrecho. 6. Muelle de retracción del cilindro roto o daños en otro cilindro. 7. Válvula en línea cerrada. 	<ol style="list-style-type: none"> 1. Abra la válvula de descarga. 2. Elimine el exceso de aceite del depósito. Nota: si el cilindro funciona normalmente cuando el tapón de llenado está flojo, el depósito puede sobrellenarse con aceite. 3. Compruebe que todos los acopladores están correctamente apretados. 4. Elimine aire de acuerdo con las instrucciones de la Sección 6.0. 5. Utilice una manguera hidráulica de mayor diámetro. 6. Solicite la reparación del cilindro en un centro de servicio técnico autorizado Enerpac. 7. Asegúrese de que las válvulas en línea (si se usan) están correctamente ajustadas.

Nota: para la localización de su centro de servicio técnico autorizado Enerpac más cercano, visite www.enerpac.com.

L3070 Rev. F 03/17

Reparatie/Onderdelenlijsten voor deze produkten zijn te downloaden van de Enerpac Website www.enerpac.com of verkrijgbaar via uw Enerpac Service Centre of vertegenwoordiger.

1.0 BELANGRIJKE INSTRUCTIES BIJ ONTVANGST

Controleer visueel alle onderdelen op schade opgelopen tijdens de verzending. Schade opgelopen tijdens de verzending wordt niet door de garantie gedekt. Als schade opgelopen tijdens de verzending wordt gevonden, de transporteur hier onmiddellijk van op de hoogte stellen. De transporteur is verantwoordelijk voor alle reparatie- of vervangingskosten als gevolg van opgelopen schade tijdens de verzending.

VEILIGHEID VOOROP

2.0 VEILIGHEIDSKWESTIES



Lees nauwkeurig alle instructies, waarschuwingen en let op-gedeeltes. Volg alle

veiligheidsvoorzieningen om persoonlijk letsel of schade aan eigendom te voorkomen als het systeem in werking is. Enerpac kan niet verantwoordelijk worden gesteld voor schade of letsels als gevolg van onveilig gebruik van dit product, gebrek aan onderhoud, of onjuiste toepassing van het product of het systeem. Neem contact op met Enerpac mocht u twijfels hebben over veiligheidsvoorzieningen en werkingen. Als u nooit een opleiding in hogedruk hydraulische veiligheid hebt gevolgd neem dan contact op met uw verdeel- of servicecentrum voor een gratis veiligheidscursus van Enerpac Hydraulic.

Het niet volgen van deze waarschuwing sboodschappen en voorzorgsmaatregelen kan schade aan de machine en persoonlijk letsel veroorzaken.

LET OP wordt gebruikt om correcte bedienings- en onderhoudsprocedures en praktijken aan te duiden om schade aan, of vernietiging van, machines of andere eigendom te voorkomen.

WAARSCHUWING wijst op een mogelijk gevaar dat de juiste procedures en praktijken vereist om persoonlijk letsel te voorkomen.

GEVAAR wordt enkel gebruikt als uw actie of gebrek aan actie ernstig letsel of zelfs de dood tot gevolg kan hebben.



WAARSCHUWING: Draag de juiste persoonlijke beschermende kleding bij het werken met hydraulische machines.



WAARSCHUWING: Blijf uit de buurt van ladingen die hydraulisch worden ondersteund. Een cilinder die wordt gebruikt als een heftrucking mag nooit worden gebruikt als een lasthouder. Nadat de lading omhoog of omlaag is gebracht, moet deze altijd mechanisch worden geblokkeerd.



WAARSCHUWING: GEBRUIK ENKEL STIJVE MATERIALEN OM DE LADINGEN VAST TE HOUDEN. Kies met zorg stalen of houten blokken die een lading kunnen

ondersteunen. Gebruik nooit een hydraulische cilinder als een pakkingschijf of een afstandstuk in enige toepassing waarbij opheffen of drukken wordt gebruikt.



GEVAAR: Om persoonlijk letsel te voorkomen, handen en voeten weghouden van de cilinder en het werkstuk tijdens de bediening.



WAARSCHUWING: Niet de nominale waarden van de machines overschrijden. Probeer nooit om een lading op te heffen die meer weegt dan de capaciteit van de cilinder. Overladen veroorzaakt falen van de machine

en mogelijk persoonlijk letsel. De cilinders zijn ontworpen voor een maximale druk van 700 bar. Geen vijzel of cilinder op een pomp aansluiten die een hogere drukwaarde heeft.



WAARSCHUWING: zet de ontlastklepdruk nooit hoger dan 725 bar.

Overschrijden van dit maximum kan leiden tot ernstig persoonlijk letsel. Er kan zich ook schade voordoen aan de pomp en onderdelen.



WAARSCHUWING: De bedieningsdruk van het systeem mag de nominale drukwaarde van het onderdeel met de laagste waarde in het systeem niet overschrijden. Installeer

drukmeters in het systeem om de bedieningsdruk te controleren. Op die manier weet u wat er in het systeem gebeurt.



LET OP: De hydraulische slang niet beschadigen. Vermijd ombuigen en knikken bij het aanbrengen van de hydraulische slangen. Een gebogen of geknikte slang gebruiken kan ernstige tegendruk van de afvoerstroom veroorzaken. Scherpe ombuigingen en knikken beschadigen de slang aan de binnenkant

wat tot vroegtijdig falen van de slang kan leiden.



Geen zware objecten op de slang laten vallen. Een scherpe impact kan interne schade aan de draadvezels van de slang veroorzaken. Druk uitoefenen op een slang die beschadigd is, kan scheuren van de slang tot gevolg hebben.



BELANGRIJK: Hydraulische machines niet bij de slangen of de wartelkoppelingen opheffen. Gebruik de draaghandgreep of een ander middel om de machine veilig te transporteren.



LET OP: Houd de hydraulische machine weg van vlammen en hitte. Buitenmatige hitte verzacht de pakkingen en afdichtingen wat tot vloeistoflekken kan leiden. Hitte verzakt ook slangmaterialen en pakkingen. Voor optimale prestaties de machines niet blootstellen aan temperaturen van 65°C (150°F) of hoger. Bescherm slangen en cilinders tegen lasspeters.



GEVAAR: Slangen die onder druk staan, niet aanraken. Als olie die onder druk staat ontsnapt, kan het door de huid dringen wat ernstige letsel kan veroorzaken. Als olie onder de huid wordt geïnjecteerd, onmiddellijk een arts raadplegen.



WAARSCHUWING: Gebruik hydraulische cilinders enkel in een aangesloten systeem. Nooit een cilinder gebruiken met koppelingen die niet aangesloten zijn. Als de cilinder uiterst overladen is, kunnen onderdelen op een catastrofische manier falen wat ernstig persoonlijk letsel kan veroorzaken.



WAARSCHUWING: Zorg dat de apparatuur stabiel is opgezet alvorens lasten te heffen. De cilinder dient op een vlakke ondergrond geplaatst te worden die de last kan dragen. Gebruik waar mogelijk een ondersteuning voor de cilinder voor extra stabiliteit. De cilinder mag niet gelast of op een andere manier aangepast worden voor het bevestigen van een voetstuk of andere ondersteuning.



Vermijd situaties, waarbij de last niet aangrijpt in het hart van de cilinderplunjer. Niet-centrisch aangrijpende lasten veroorzaken aanzienlijke spanningen in de cilinder en de plunjer. Bovendien kan de last wegglijden of vallen, wat tot gevaarlijke situaties leidt.



Verdeel de last gelijkmatig over het gehele zadeloppervlak. Gebruik altijd een zadel om de plunjer te beschermen, wanneer geen hulpstukken met schroefdraad worden gebruikt.



BELANGRIJK: Hydraulische machines mogen enkel door een bevoegd hydraulisch technicus van onderhoud worden voorzien. Voor reparaties dient u contact op te nemen met een nabijgelegen bevoegd ENERPAC servicecentrum. Om uw garantie te beschermen, enkel ENERPAC olie gebruiken.



WAARSCHUWING: Versleten of beschadigde onderdelen onmiddellijk met authentieke ENERPAC onderdelen vervangen. Standaardonderdelen breken, wat tot persoonlijk letsel en schade aan eigendom kan leiden. ENERPAC onderdelen zijn zodanig ontworpen dat ze precies passen en hoge ladingen kunnen weerstaan.

3.0 PRODUCTINFORMATIE

Tablet 1, Specificaties – ULTIMA-serie handpompen

Pomp-model	Type pomp (Snelheid)	Max. drukcapaciteit		Olieopbrengst per pompslag		Bruikbare oliecapaciteit	Gewicht met olie	Max. handvatkracht
		bar [psi]		cm ³ [in ³]				
		1 ^{ste} trap	2 ^{de} trap	1 ^{ste} trap	2 ^{de} trap			
P-18	eentraps	—	200 [2 850]	—	2,46 [0,15]	360 [22]	5,0 [11,0]	16 [36]
P-39	eentraps	—	700 [10 000]	—	2,46 [0,15]	769 [47]	6,2 [13,6]	38 [85]
P-77	tweetraps	34 [500]	700 [10 000]	16,38 [1,00]	2,46 [0,15]	769 [47]	7,1 [15,6]	40 [88]
P-80	tweetraps	34 [500]	700 [10 000]	16,38 [1,00]	2,46 [0,15]	2195 [134]	10,7 [23,6]	35 [77]
P-801	tweetraps	34 [500]	700 [10 000]	16,38 [1,00]	2,46 [0,15]	4095 [250]	14,0 [31,0]	35 [77]
P-84	tweetraps	34 [500]	700 [10 000]	16,38 [1,00]	2,46 [0,15]	2195 [134]	11,7 [26,0]	35 [77]

Tablet 2, Functies en belangrijkste onderdelen – ULTIMA-serie handpompen

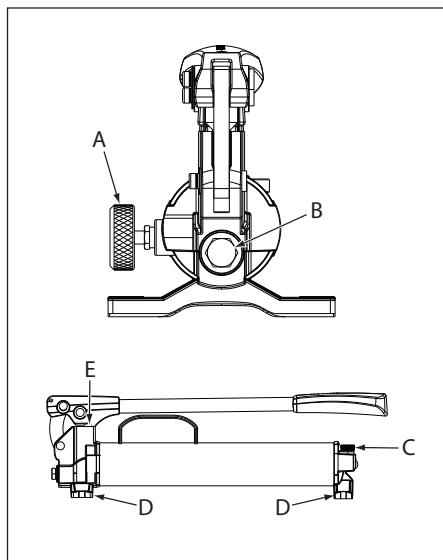
Item (Zie figuren 1 tot 4 voor itemlocaties)	Pompmodel					
	P-18	P-39	P-77	P-80	P-801	P-84
A	Ontlastventiel	Ontlastventiel	Ontlastventiel	Ontlastventiel	Ontlastventiel	4-wegs 3-posities regelklep
B	Eén 3/8" NPTF uitlaatpoort	Eén 3/8" NPTF uitlaatpoort	Eén 3/8" NPTF uitlaatpoort	Eén 3/8" NPTF uitlaatpoort	Eén 3/8" NPTF uitlaatpoort	Twee 3/8" NPTF uitlaatpoorten
C	Olievuldop	Olievuldop	Olievuldop	Olievuldop	Olievuldop	Olievuldop
D	Montagesleuven	Montagesleuven	Montagesleuven	Montagesleuven	Montagesleuven	Montagesleuven
E	Instelbare drukbegrenzingsklep	Instelbare drukbegrenzingsklep	Instelbare drukbegrenzingsklep	Instelbare drukbegrenzingsklep	Instelbare drukbegrenzingsklep	Instelbare drukbegrenzingsklep
F	—	—	—	3/8" NPTF terugnaar-tankpoort	3/8" NPTF terugnaar-tankpoort	—
G	—	—	Bypass-klep	Bypass-klep	Bypass-klep	Bypass-klep



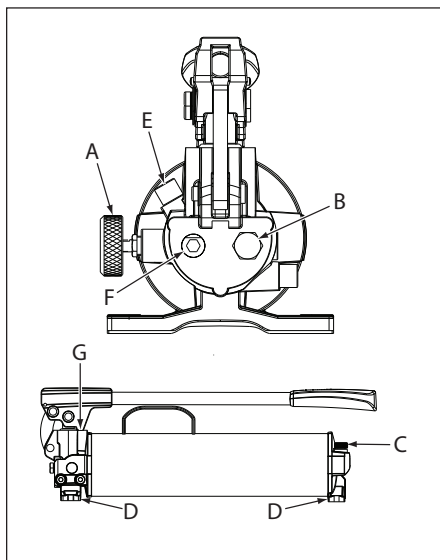
VOORZICHTIG: gebruik altijd de hef/transporthendel van de pomp om de pomp te dragen. De pomp dragen bij de slang kan de slang en/of de pomp beschadigen.

3.1 Pompfuncties en belangrijkste onderdelen

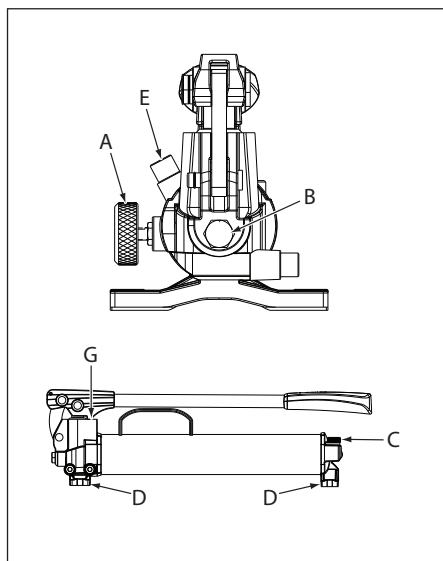
Zie figuren 1 tot en met 4 voor de locaties van de pompfuncties en belangrijkste onderdelen. Raadpleeg tabel 2 voor de beschrijvingen van items A tot en met G.



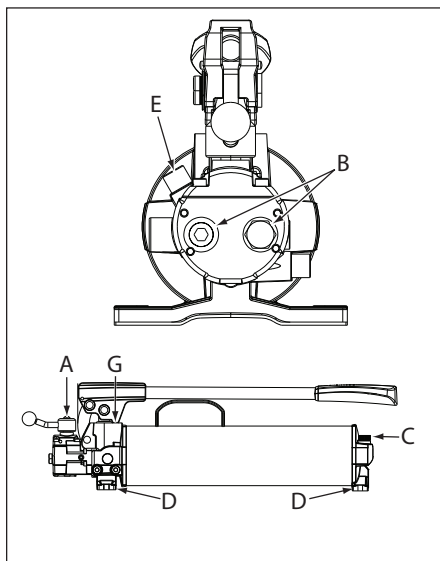
Figuur 1, Modellen P-18 en P-39



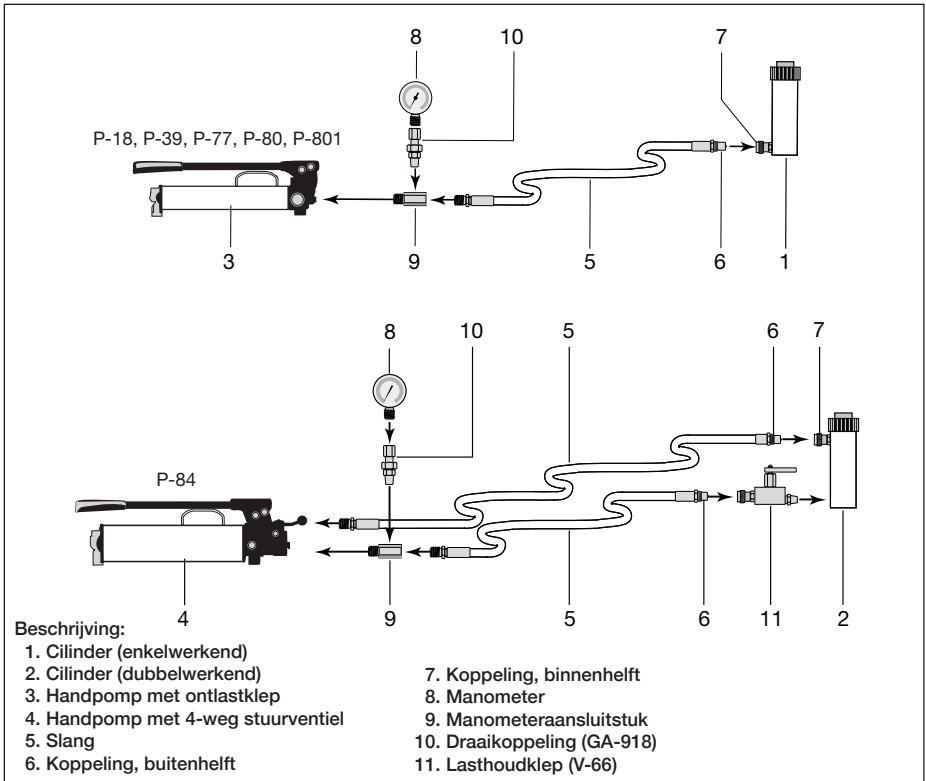
Figuur 3, Modellen P-80 en P-801



Figuur 2, Model P-77



Figuur 4, Model P-84

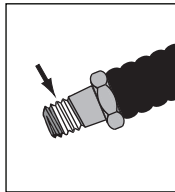


Figuur 5, Hydraulisch systeem en aansluitingen

4.0 INSTALLATIE

4.1 Aansluiten van de pomp

1. Verwijder de transportdop(pen) van de pompuitlaatpoort(en).
2. Stel de ontlastklep op de gewenste hydraulische druk in. Zie sectie 7.0 voor instructies.
3. Sluit de slang(en) aan op de pomp. U kunt draden verzegelen met behulp van anaërobe draadlas, Teflon® pasta of Teflon® tape.



Figuur 6

BELANGRIJK: bij het gebruik van Teflon® tape, pas de tape op één draad van het einde van de montage om te voorkomen dat stukjes tape het hydraulische systeem binnenkomen. Zie figuur 6.

4. Installeer een manometer in-lijn vanaf de pomp voor extra veiligheid en betere controle.
5. Sluit de slang(en) aan op uw cilinder of het gereedschap.
 - Voor enkelwerkende cilinders, sluit u één slang aan van de pomp op de cilinder.
 - Voor dubbelwerkende cilinders, verbind de twee slangen. Sluit één slang van poort (A) van de pomp aan op de vooruit-poort van de cilinder.

Sluit een andere slang van poort (B) van de pomp aan op de achteruit-poort van de cilinder.

Modellen P-80 en P-801 alleen: als een externe drukverlagingsklep wordt gebruikt in het circuit, sluit de tankpoort van de klep aan op de retour-naar-tank poort op de pomp.

Opmerking: cilinders, slangen en accessoires weergegeven in figuur 5 worden apart verkocht en zijn niet bij de pomp inbegrepen. Raadpleeg de Enerpac catalogus voor een volledige beschrijving van de beschikbare onderdelen en accessoires. De exacte onderdelen die nodig zijn voor uw systeem zullen variëren, afhankelijk van de toepassing en andere factoren

4.2 Pomptluchting

De ULTIMA-serie handpomp zijn ontworpen voor werking zonder ontluchting. De olievlugplug kan losgedraaid worden als dat nodig is om lucht uit het systeem te laten, maar mag niet volledig worden geïnstalleerd voordat u de pomp gebruikt.

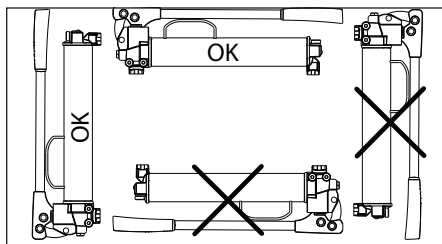
BELANGRIJK: Om te voorkomen dat verontreinigingen het hydraulische systeem binnendringen, de pomp niet gebruiken met losgedraaide of verwijderde olievlugplug.

4.3 Pompositie

De pomp kan worden gebruikt in zowel de horizontale of verticale positie. Zie figuur 7.

Bij gebruik in de verticale positie, moet het uiteinde van de slang van de pomp naar beneden worden gericht, anders zal de pomp lucht oppakken en niet de gepaste druk opbouwen.

Opmerking: de pomp is niet ontworpen voor gebruik in de omgekeerde (ondersteboven) stand.



Figuur 7, Gebruiksposities

5.0 WERKING

5.1 Vóór gebruik van de pomp

1. Controleer alle systeemfittings en -aansluitingen om te verzekeren dat deze goed vastzitten en niet lekken.
2. Controleer het oliepeil in het reservoir en voeg olie toe indien nodig. Zie sectie 9.1 voor instructies.
3. Lees en begrijp de volgende voorzorgsmaatregelen voordat u de pomp doet werken:



WAARSCHUWING: In bepaalde situaties kan de pomphendel "terugslaan". Houd uw lichaam altijd aan de zijkant van de pomp, weg van de krachtlijn van de hendel.



WAARSCHUWING: Bij het bedienen van de pomphendel, houd uw handen en vingers uit de buurt van het knelpuntgebied tussen de pomphendel en de hef/transporthendel.



VOORZICHTIG: Verwijder de transportdop(pen) altijd uit de uitlaatpoort(en) van de pomp en vervang ze door de juiste hydraulische fitting(en) voordat u de pomphendel bedient. Als de pomphendel wordt bediend met de transportdop(pen) geïnstalleerd, kunnen de dop(pen) met grote kracht uit de poort(en) worden uitgeworpen, wat persoonlijk letsel kan veroorzaken.



VOORZICHTIG: Gebruik geen verlengingen op de pomphendel. Verlengingen leiden tot instabiele werking van de pomp.



VOORZICHTIG: Om mechanische beschadigingen te voorkomen, trek niet aan de pomphendel aan het einde van zijn verplaatsing. Pas geen zijdelingse kracht toe op de pomphendel.

BELANGRIJK: Maak korte pomphendelslagen om de pomphendelbelasting bij hoge hydraulische druk te verminderen. Maximale hefboomwerking wordt verkregen in de laatste 5 graden van een slag.

5.2 Olieopbrengst bij tweetrappspompen Modellen P-77, P-80, P-801 en P-84

Tweetrappspompen hebben twee verschillende olieopbrengsten. In de eerste trap (lage druktrap) levert de pomp een hogere olieopbrengst voor hoge cilindersnelheid (ijlgang). In de tweede trap schakelt de pomp automatisch over op een hogere druk met een lagere olieopbrengst en een lagere cilindersnelheid. Bij overschakeling in de hoge druktrap is ook minder pomphendelkracht en inspanning nodig.

Opmerking: Voor de beste prestaties, bedien de pomphendel in de eerste druktrap met een gemiddelde pomphendelbeweging. Bij een (te) hoge pomphendelsnelheid in de eerste druktrap levert de pomp niet de maximale olieopbrengst.

5.3 Pompwerking

Modellen P-18, P-39, P-77, P-80 en P-801

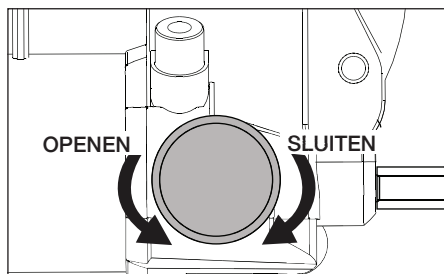
Alle pompmodellen, behalve de P-84 zijn ontworpen voor gebruik met enkelwerkende cilinders en zijn uitgerust met een geïntegreerde ontlastklep.

1. Sluit de ontlastklep door de knop met de klok mee te draaien totdat deze stopt. Zie figuur 8.



VOORZICHTIG: Draai de ontlastklep alleen met de hand dicht. Het gebruik van gereedschap op de ontlastklep kan deze beschadigen en defect aan de pomp veroorzaken.

2. Bedien de pomphendel om de hydraulische olie in het systeem te pompen. De druk wordt opgebouwd en gehandhaafd tot de ontlastklep wordt geopend.
3. Open de ontlastklep door de knop naar links te draaien. De druk wordt vrijgegeven, waardoor de olie terugstroomt naar het reservoir.



Figuur 8, Ontlastklep (alle, behalve P-84)



VOORZICHTIG: Als de knop van de ontlastklep moeilijk draait of vast komt te zitten, stop de pomp dan onmiddellijk. Laat de pomp controleren en herstellen door een erkend Enerpac servicecentrum.

5.4 Pompwerking - Model P-84

Het model P-84 is uitgerust met een 4-weg, 3-positie stuurventiel voor gebruik met dubbelwerkende cilinders. Zie figuren 9 en 10.

1. Plaats de hendel op het 4/3 stuurventiel om de functie als volgt te selecteren:

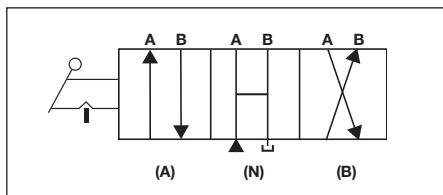
(A) Strooming gericht op poort "A", poort "B" keert strooming terug naar het reservoir.

(N) Neutraal - poorten "A" en "B" open naar het reservoir.

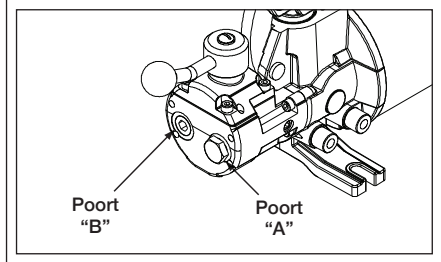
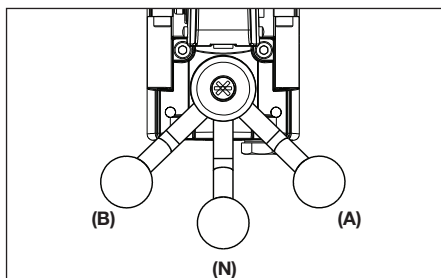
(B) Stroming gericht op poort "B", poort "A" keert stroming terug naar het reservoir.



WAARSCHUWING: De klep bevat geen lasthoudend apparaat. Zorg ervoor dat belasting wordt ondersteund door een blokkering, mechanische stands of een andere geschikte steunen voordat de klephendel in de neutrale (N) stand wordt geplaatst.



Figuur 9, hydraulisch symbool 4/3 stuurventiel (P-84)



Figuur 10, Regelklep hendelstanden en siंगाansluitingen (P-84)

2. Bedien de pomp om het werk uit te voeren.
3. Wijzig de stuurventielpositie naargelang nodig.



WAARSCHUWING: Bedien de dubbelwerkende cilinder alleen wanneer beide slangen zijn aangesloten op de pomp. Als er een koppeling niet is aangesloten, wordt hoge druk opgebouwd achter de koppeling, die lichamelijk letsel en/of materiële schade kan veroorzaken.

6.0 ONTLUCHTING

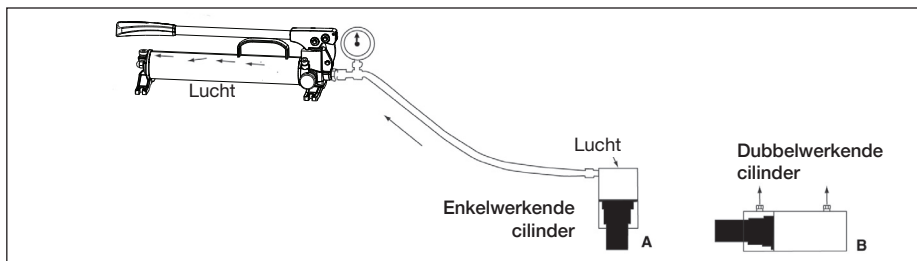
Het ontluichten van het hydraulisch systeem helpt de cilinder soepel vooruit en achteruit te trekken.

6.1 Pomp met enkelwerkende cilinder

1. Verwijder de oliëvulplug om het reservoir te ontluichten tijdens de volgende stappen.
2. Sluit de ontlastklep volledig.
3. Plaats de pomp in de horizontale positie, hoger gelegen dan de cilinder. Zie figuur 11.
4. Plaats de cilinder met het zuigeruiteinde naar beneden (omhoog bij gebruik van trekcilinder).
5. Bedien de pomp om de cilinder volledig uit te trekken (intrekken bij gebruik van trekcilinder).
6. Open de ontlastklep om de cilinder in te trekken (uittrekken bij gebruik van trekcilinder). Dit dwingt de opgesloten lucht door te stromen naar het pompreservoir.
7. Herhaal stap 2 tot 6 als nodig, totdat zuigerbeweging soepel verloopt.
8. Voeg olie toe indien nodig. Zie sectie 9.1.
9. Installeer de oliëvulplug opnieuw.

6.2 Pomp met dubbelwerkende cilinder

1. Draai de oliëvulplug een aantal slagen los om het reservoir te ontluichten tijdens de volgende stappen.
2. Plaats de pomp in de horizontale positie, hoger gelegen dan de cilinder. Zie figuur 11.
3. Plaats de cilinder in horizontale positie met poorten naar omhoog.
4. Bedien de pomp en stuur de zuiger (cilinder) 2 tot 3 keer volledig vooruit en achteruit.
5. Herhaal de stappen 2 tot 4 zoals nodig, totdat de cilinderwerking soepel is.
6. Voeg olie toe indien nodig. Zie sectie 9.1.
7. Installeer de oliëvulplug opnieuw.



Figuur 11, Luchtverwijdering

7.0 AFSTELLING ONTLASTKLEP

1. **Alle modellen behalve P-84:** installeer een 0-1000 bar [0-15.000 psi] manometer in de olieuitlaatpoort van de pomp. Sluit de ontlastklep (draai de knop naar rechts totdat deze stopt).
2. **Model P-84 alleen:** installeer een 0-1000 bar [0-15.000 psi] manometer in de "A"-poort. Installeer een pijpplug in de pomp "B"-poort. Beweeg de regelklephendel naar de (A) stand.
3. Met behulp van een 1/4" inbussleutel, verwijder de stofplug over de stelschroef van de ontlastklep.
 - Bij de modellen P-18 en P-39 is de ontlastklep op de bovenkant van de pompkop. Zie figuur 12.
 - Bij de modellen P-77, P-80, P-801 en P-84 zit de ontlastklep aan de zijkant van de pompkop. Zie figuur 13.

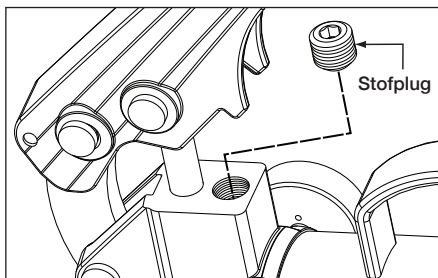
Opmerking: voor een nauwkeurige instelling in de volgende stappen moet de druk altijd worden verlaagd tot een punt onder de uiteindelijke instelling, en verhoog de druk daarna langzaam totdat de uiteindelijke instelling wordt bereikt.

4. Met behulp van een 7/32" inbussleutel, los de stelschroef van de ontlastklep ongeveer 2 slagen. Zie figuur 14.
5. Tijdens de bediening van de pomphendel, draai langzaam de stelschroef van de ontlastklep naar rechts totdat de druk toeneemt tot de gewenste instelling. De drukinstelling wordt aangegeven wanneer extra pompen niet leidt tot een hogere drukaflezing op de meter.

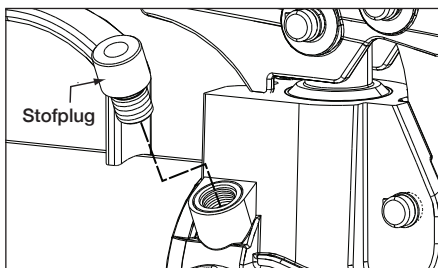


WAARSCHUWING: Stel de ontlastklepdruk nooit in op een druk hoger dan 725 bar [10.500 psi]. Overschrijden van dit maximum kan leiden tot ernstig persoonlijk letsel. Er kan zich ook schade voordoen aan de pomp en onderdelen.

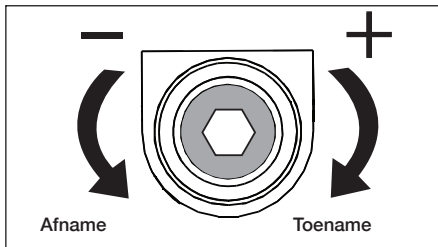
6. **Alle modellen behalve P-84:** nadat de gewenste drukinstelling is verkregen, draai de ontlastklep naar links om de systeemdruk te verlagen. Controleer of de manometer nul (0) psi/bar aangeeft.
7. **Model P-84 alleen:** nadat de gewenste drukinstelling is verkregen, zet de klephendel in de (N) neutrale stand om de systeemdruk te verlichten. Controleer of de manometer nul (0) psi/bar aangeeft.
8. **Alle modellen behalve P-84:** Ontkoppel de manometer van de olieuitlaatpoort van de pomp. Installeer de stofplug opnieuw over de stelschroef van de ontlastklep.
9. **Alleen model P-84:** Ontkoppel de manometer van de pomp "A"-poort. Verwijder de pijpplug van de pomp "B"-poort. Installeer de stofplug opnieuw over de stelschroef van de ontlastklep.



Figuur 12, Ontlastklep (P-18 en P-39)



Figuur 13, Ontlastklep (P-77, P-80, P-801 en P-84)

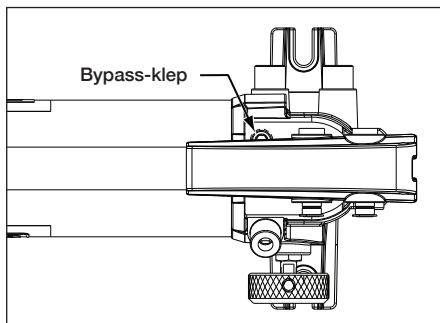


Figuur 14, Stelschroef van de ontlastklep

8.0 AFSTELLING ONTLASTKLEP MODELLEN P-77, P-80, P-801 EN P-84

De bypass-klep regelt de druk waarbij een pomp met twee snelheden van de eerste naar de tweede fase schakelt. Zie figuur 15.

De bypass-klep is in de fabriek ingesteld en dient niet te worden bijgesteld, tenzij de pomp wordt onderhouden of gerepareerd. Indien nodig mag een afstelling alleen worden uitgevoerd door een erkend Enerpac servicecentrum.



Figuur 15, Bypass-klep
(P-77, P-80, P-801 en P-84)

9.0 ONDERHOUD

Gebruik uitsluitend Enerpac hydraulische olie voor de pomp voor een lange levensduur en om uw garantie te handhaven. Viton en ethyleen propyleen rubber afdichtingskits zijn verkrijgbaar voor een aantal handpompmodellen. Neem contact op met uw Enerpac-vertegenwoordiger voor meer informatie over deze producten en hun toepassingen.

9.1 Olie toevoegen aan de pomp



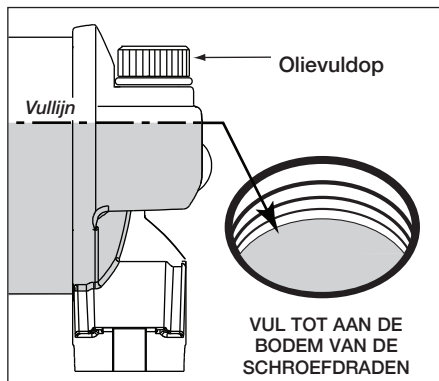
WAARSCHUWING: Vul olie altijd bij met de cilinders volledig ingetrokken (uitgetrokken voor trekcilinders), anders bevat het systeem meer olie dan het pompreservoir kan bevatten.

Controleer regelmatig het oliepeil en vul olie bij indien nodig. Raadpleeg de volgende stappen:

1. Plaats de pomp in de horizontale stand op een vlakke ondergrond.
2. Verwijder de oliedop uit het reservoir.
3. Oliepeil controleren. Zie Figuur 16. Als het oliepeil laag is, voeg extra olie toe tot het olieniveau tot aan de onderkant van de schroefdraad komt van de oliedopopening.

BELANGRIJK: Niet overvullen! Er moet enige luchtruimte aanwezig zijn in het reservoir voor een goede werking. Als het reservoir te veel olie bevat, vormt zich een vacuüm waardoor geen olie stroomt wanneer de pomp wordt bediend.

4. Installeer de oliedop opnieuw nadat olie werd toegevoegd. Zorg ervoor dat de dop volledig is geïnstalleerd (niet loszit).
5. Verwijder de lucht uit het systeem indien nodig. Zie Sectie 6.0. Controleer het oliepeil opnieuw na het verwijderen van de lucht.



Figuur 16, Reservoir olieniveau



WAARSCHUWING: De oliedop van de pomp bevat een integrale drukontlastvoorziening, een veiligheidsvoorziening die overdruk van het reservoir voorkomt. Gebruik alleen de oliedop geleverd bij de pomp of een echte Enerpac vervangingsdop met identieke specificaties.



WAARSCHUWING: Probeer nooit meer olie terug te voeren naar het reservoir dan het in staat is te bevatten.

9.2 De olie vervangen

Verwijder alle olie uit het reservoir en vul het elke 12 maanden opnieuw met schone Enerpac olie. Als de pomp wordt gebruikt in vuile omgevingen, ververs de olie vaker.

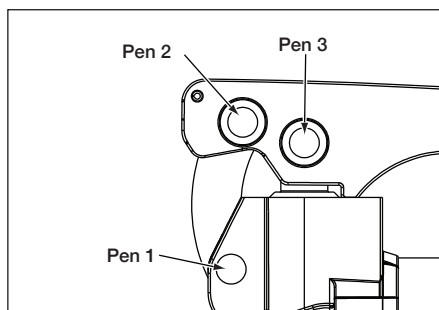
1. Verwijder de oliedop uit het reservoir.
2. Kantel de pomp om de oude olie af te voeren.

BELANGRIJK: Gooi de gebruikte olie weg in overeenstemming met alle van toepassing zijnde wet- en regelgeving.

3. Vul het reservoir met nieuwe Enerpac olie. Zie sectie 9.1 voor meer informatie.
4. Installeer de oliedop opnieuw.

9.3 Smering

Om de levensduur van de pomp en de prestaties te verbeteren, de drie pomphendelpennen regelmatig smeren met behulp van rollagervet. Zie figuur 17.



Figuur 17, Smerpunten

9.4 Olieleidingen schoon houden

Installeer altijd stofkappen als koppelingshelften niet zijn aangesloten. Om te voorkomen dat de pomp en andere onderdelen falen, neem alle mogelijke voorzorgsmaatregelen om het systeem tegen de ingang van vuil en andere vreemde stoffen te beschermen.

10.0 PROBLEEMOPLOSSINGSGIDS

De informatie in de probleemoplossingsgids (zie tabel 3) is slechts bedoeld als een hulpmiddel bij de diagnose en om bepaalde problemen op te lossen die kunnen optreden.

Een systeemstoring kan al dan niet het gevolg zijn van een pompdefect. Om de oorzaak van het probleem vast te stellen moet het volledige systeem in een diagnoseprocedure worden betrokken.

Voor reparatieonderhoud neemt u contact op met uw plaatselijk erkend Enerpac servicecentrum. Alleen een erkend Enerpac servicecentrum mag onderhoud uitvoeren aan de pomp of systeemonderdelen.

Tabel 3, Probleemoplossingsgids - ULTIMA-serie handpompen		
Probleem	Mogelijke oorzaak	Oplossing
Cilinder beweegt niet vooruit, beweegt langzaam of onregelmatig.	<ol style="list-style-type: none"> 1. Oliepeil in het pompreservoir is laag. 2. Ontlastklep open of niet volledig gesloten. 3. Drukontlastklepinstelling staat te laag ingesteld. 4. Hydraulische koppeling niet goed aangesloten. 5. Belasting is te zwaar. 6. Lucht gevangen in het systeem. 7. Teveel olie in het reservoir. 8. Cilinderzuiger loopt stroef of vast. 	<ol style="list-style-type: none"> 1. Voeg olie toe volgens de instructies in sectie 9.1. 2. Sluit de ontlastklep. 3. Stel de ontlastklepdruk volgens de instructies in sectie 7.0. 4. Controleer of alle koppelingen volledig vast zijn gedraaid. 5. Probeer niet meer dan de nominale tonnage op te heffen 6. Verwijder de lucht volgens de instructies in sectie 6.0. 7. Verwijder de overmatige olie uit het reservoir. Opmerking: als de cilinder normaal werkt wanneer de pompolie vulplug wordt losgemaakt, kan het reservoir worden overge vuld met olie. 8. Controleer de cilinder op schade. Laat de cilinder onderhouden door een erkend Enerpac servicecentrum.
Cilinder gaat vooruit, maar behoudt de druk niet.	<ol style="list-style-type: none"> 1. Lekkende aansluiting. 2. Lekkende afdichtingen. 3. Inwendig lek in de pomp. 4. Bypass-klepinstelling staat te laag ingesteld. (Modellen P-77, P-80, P-801 en P-84) 	<ol style="list-style-type: none"> 1. Controleer of alle aansluitingen goed vastzitten en niet lekken. 2. Zoek de lekken en laat de apparatuur onderhouden door een erkend Enerpac servicecentrum. 3. Laat de pomp onderhouden door een erkend Enerpac servicecentrum. 4. Laat de bypass-klepinstelling onderhouden door een erkend Enerpac servicecentrum.
Zuiger loopt niet, of gedeeltelijk of zeer langzaam terug.	<ol style="list-style-type: none"> 1. Ontlastklep gesloten. 2. Teveel olie in het reservoir. 3. Hydraulische koppeling niet goed aangesloten. 4. Lucht gevangen in het systeem. 5. Slangbinnendiameter te klein. 6. Cilinderterugloopveer gebroken of andere cilinderbeschadiging. 7. In-lijn klep gesloten. 	<ol style="list-style-type: none"> 1. Open de ontlastklep. 2. Verwijder de overmatige olie uit het reservoir. Opmerking: als de cilinder normaal werkt wanneer de pompolie vulplug wordt losgemaakt, kan het reservoir worden overge vuld met olie. 3. Controleer of alle koppelingen volledig vast zijn gedraaid. 4. Verwijder de lucht volgens de instructies in sectie 6.0. 5. Gebruik hydraulische slang met grotere binnendiameter. 6. Laat de cilinder onderhouden door een erkend Enerpac servicecentrum. 7. Zorg ervoor dat in-line kleppen (indien gebruikt) correct zijn ingesteld.

Opmerking: Voor de locatie van het dichtstbijzijnde erkende Enerpac servicecentrum, ga naar www.enerpac.com.

L3070 Rev. F 03/17

Folhas de Instrução para este produto estão disponíveis no Site de Enerpac - www.enerpac.com, ou no Centro de Serviço Autorizado mais próximo, ou com o Escritório de Vendas Enerpac.

1.0 INSTRUÇÕES IMPORTANTES NO RECEBIMENTO

Inspecione visualmente todos os componentes verificando se houve avarias durante o transporte. Avarias no transporte não são cobertas pela garantia. Caso haja avarias no transporte, avise o transportador imediatamente. O transportador é responsável por todos os custos de consertos e substituições decorrentes de avarias ocorridas no transporte.

SEGURANÇA EM PRIMEIRO LUGAR

2.0 ASSUNTOS DE SEGURANÇA



Leia cuidadosamente todas as instruções, advertências e avisos sobre precaução. Siga todas as recomendações de segurança para evitar lesões pessoais ou danos à propriedade durante a operação do sistema. Enerpac não pode ser responsável por danos ou lesões pessoais resultantes do uso indevido do produto, falta de manutenção ou operação inadequada do produto e/ou sistema. Entre em contato com Enerpac quando houver dúvidas sobre as recomendações de segurança e operações. Se você nunca recebeu treinamento em segurança na hidráulica de alta pressão, consulte o seu distribuidor ou centro de serviço sobre um curso de segurança hidráulica Enerpac.

Falhas no cumprimento das advertências e avisos de precaução podem causar lesões pessoais e avarias ao equipamento.

PRECAUÇÃO é usada para indicar a operação correta ou os procedimentos e métodos de manutenção para prevenir o dano, a destruição do equipamento ou outras propriedades.

ADVERTÊNCIA indica um perigo potencial que exige procedimentos ou métodos corretivos para evitar lesões pessoais.

PERIGO é usado somente quando a ação ou a falta da mesma podem causar lesões sérias ou mesmo a morte.



ADVERTÊNCIA: Use equipamentos individuais de proteção quando acionar equipamentos hidráulicos.



ADVERTÊNCIA: Mantenha distância de cargas apoiadas por cilindros hidráulicos. Um cilindro, quando utilizado como dispositivo de levantamento, jamais deve ser usado como dispositivo de sustentação de carga. Depois de haver sido levantada ou baixada, a carga deve sempre ser bloqueada mecanicamente.



ADVERTÊNCIA: USE SOMENTE PEÇAS RÍGIDAS PARA APOIAR AS CARGAS.

Selecione cuidadosamente blocos de madeira ou ferro que sejam capazes de sustentar a carga. Nunca use um cilindro hidráulico como um calço ou espaçador em qualquer aplicação de levantamento ou prensagem.



PERIGO: Para evitar lesões pessoais mantenha mãos e pés longe do cilindro e da área de trabalho durante a operação.



ADVERTÊNCIA: Não exceda a capacidade do equipamento. Nunca tente levantar uma carga mais pesada que a capacidade do cilindro. Excesso de carga pode causar falhas no equipamento e possíveis lesões pessoais. Os cilindros são projetados para uma pressão máxima de 700 bar [10.000 psi]. Não faça a ligação entre um macaco ou um cilindro com uma bomba com capacidade maior de pressão.




AVISO: Nunca ajuste a válvula de alívio com pressão acima de 725 bar [10,500 psi]. Sérias lesões pessoais podem ocorrer se o limite máximo for ultrapassado. Danos à bomba e aos componentes também podem ocorrer.





ADVERTÊNCIA: A pressão de operação do sistema não deve exceder a capacidade de pressão do componente de menor capacidade no sistema. Instale manômetros de pressão no sistema para monitorar a pressão de operação. É a sua janela para o que está acontecendo no sistema.





PRECAUÇÃO: Evite danificar manguueiras hidráulicas. Evite curvas ou dobras pronunciadas quando direcionar as manguueiras hidráulicas. O uso de uma manguueira curvada ou dobrada causará aumento na pressão de retorno. Curvas ou dobras pronunciadas danificarão a manguueira internamente, levando a um desgaste prematuro.

 **Não** derrube objetos pesados na mangueira. Um forte impacto pode causar danos à trama interna de aço da mangueira. A aplicação de pressão em uma mangueira danificada pode causar a sua ruptura.

 **IMPORTANTE:** Não levante o equipamento hidráulico pela mangueira ou pelos engates. Use manoplas ou outros meios mais seguros para o transporte.

 **PRECAUÇÃO:** Mantenha o equipamento hidráulico longe do calor e das chamas. O calor excessivo amolece vedações e selos, resultando em vazamento de fluidos. O calor também enfraquece o material das mangueiras e das juntas. Para um desempenho otimizado não exponha o equipamento a temperatura maiores que 65 °C [150 °F]. Proteja mangueiras e cilindros dos respingos de solda.

 **PERIGO:** Não manuseie mangueiras pressurizadas. O escape do óleo sob pressão pode penetrar na pele, causando lesões sérias. Se o óleo penetrar na pele, procure um médico imediatamente.

 **ADVERTÊNCIA:** Use somente cilindros hidráulicos num sistema acoplado. Nunca use um cilindro com engates não conectados. Caso o cilindro se torne extremamente sobrecarregado, os componentes podem falhar catastróficamente, causando severas lesões pessoais.



ADVERTÊNCIA: ESTEJA CERTO QUE A MONTAGEM É ESTÁVEL ANTES DE LEVANTAR A CARGA. Os cilindros devem ser colocados em superfícies planas que podem apoiar a carga. Quando aplicável, use uma base de cilindro Enerpac para aumentar a estabilidade. Não faça soldas ou, de qualquer forma, modifique o cilindro para acrescentar uma base ou outro apoio.



Evite situações em que as cargas não estão centradas na haste do cilindro. Cargas fora de centro podem causar deformações consideráveis nas hastes e nos cilindros. Além disto, a carga pode escorregar ou cair, causando resultados potencialmente perigosos.



Distribua a carga uniformemente em toda a superfície do assento. Use sempre um assento para proteger a haste.



IMPORTANTE: Somente técnicos em hidráulica, devidamente qualificados, devem fazer a manutenção de equipamentos hidráulicos. Para serviços de manutenção, entre em contato com o Centro de Serviço Autorizado Enerpac em sua área. Para proteger sua garantia, use somente óleo Enerpac.



ADVERTÊNCIA: Substitua imediatamente peças gastas ou danificadas por peças genuínas Enerpac. Peças não genuínas podem quebrar, causando lesões pessoais ou danos à propriedade. As peças Enerpac são projetadas para se encaixar adequadamente e sustentar cargas pesadas.

3.0 INFORMAÇÕES SOBRE O PRODUTO

Tabela 1, Especificações – Série ÚLTIMA de Bombas Manuais

Modelo da Bomba	Tipo de Bomba (Velocidade)	Pressão Nominal Máxima bar [psi]		Deslocamento de Óleo por Bombada cm³ [pol³]		Capacidade utilizável de Óleo cm³ [pol³]	Peso com Óleo		Esforço Máximo da Alavanca
		Estágio 1	Estágio 2	Estágio 1	Estágio 2		kg [lbs]	kg [lbs]	
P-18	1	—	200 [2 850]	—	2,46 [0,15]	360 [22]	5,0 [11,0]	16 [36]	
P-39	1	—	700 [10 000]	—	2,46 [0,15]	769 [47]	6,2 [13,6]	38 [85]	
P-77	2	34 [500]	700 [10 000]	16,38 [1,00]	2,46 [0,15]	769 [47]	7,1 [15,6]	40 [88]	
P-80	2	34 [500]	700 [10 000]	16,38 [1,00]	2,46 [0,15]	2195 [134]	10,7 [23,6]	35 [77]	
P-801	2	34 [500]	700 [10 000]	16,38 [1,00]	2,46 [0,15]	4095 [250]	14,0 [31,0]	35 [77]	
P-84	2	34 [500]	700 [10 000]	16,38 [1,00]	2,46 [0,15]	2195 [134]	11,7 [26,0]	35 [77]	

Tabela 2, Características e Principais Componentes – Série ÚLTIMA de Bombas Manuais

Item (Veja figuras 1 até 4 para localização do item)	Modelo da Bomba					
	P-18	P-39	P-77	P-80	P-801	P-84
A	Válvula de Alívio	Válvula de Alívio	Válvula de Alívio	Válvula de Alívio	Válvula de Alívio	Válvula de Controle 4 Vias, 3 Posições
B	Uma Conexão de Saída 3/8" NPTF	Uma Conexão de Saída 3/8" NPTF	Uma Conexão de Saída 3/8" NPTF	Uma Conexão de Saída 3/8" NPTF	Uma Conexão de Saída 3/8" NPTF	Duas Conexões de Saída 3/8" NPTF
C	Bujão de Abastecimento de Óleo	Bujão de Abastecimento de Óleo	Bujão de Abastecimento de Óleo	Bujão de Abastecimento de Óleo	Bujão de Abastecimento de Óleo	Bujão de Abastecimento de Óleo
D	Ranuras de Montagem	Ranuras de Montagem	Ranuras de Montagem	Ranuras de Montagem	Ranuras de Montagem	Ranuras de Montagem
E	Válvula de Alívio Ajustável pelo Usuário	Válvula de Alívio Ajustável pelo Usuário	Válvula de Alívio Ajustável pelo Usuário	Válvula de Alívio Ajustável pelo Usuário	Válvula de Alívio Ajustável pelo Usuário	Válvula de Alívio Ajustável pelo Usuário
F	—	—	—	Saída de Retorno do Reservatório 3/8" NPTF	Saída de Retorno do Reservatório 3/8" NPTF	—
G	—	—	Válvula by-pass	Válvula by-pass	Válvula by-pass	Válvula by-pass



PRECAUÇÃO: Utilize sempre a alavanca de acionamento/transporte para levantar a bomba. Carregar a bomba pela mangueira pode danificar a mangueira e/ou a bomba.

3.1 Características da Bomba e Principais Componentes

Veja figuras 1 até 4 para localização das características da bomba e principais componentes. Verifique na Tabela a descrição dos itens A até G.

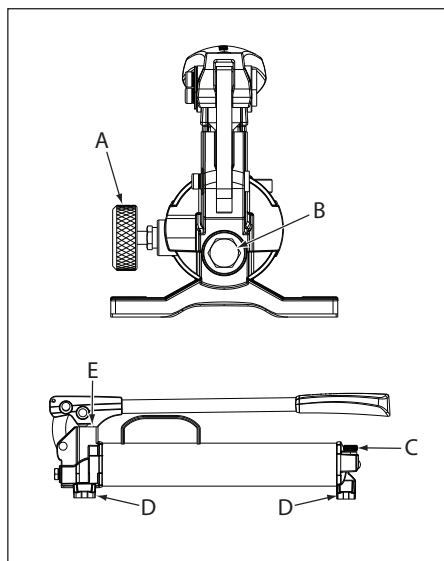


Figura 1, Modelos P-18 e P-39

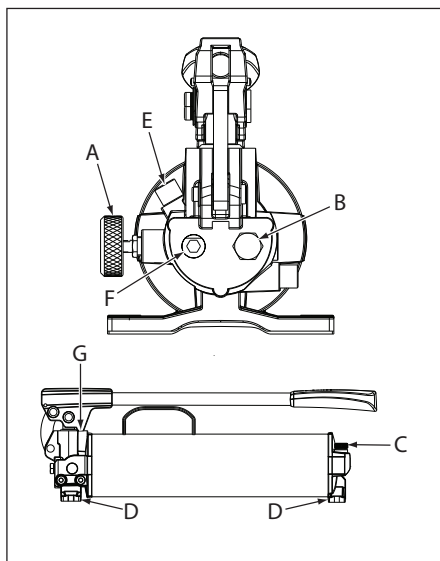


Figura 3, Modelos P-80 e P-801

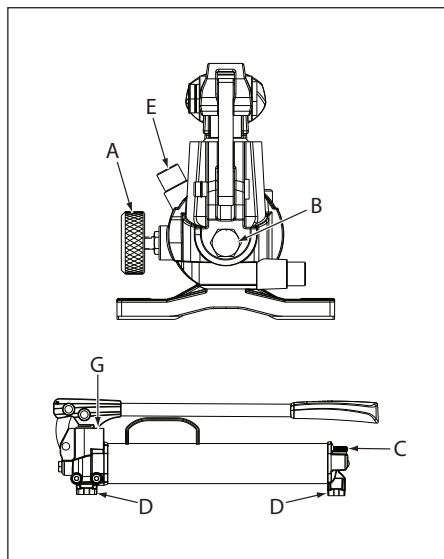


Figura 2, Modelo P-77

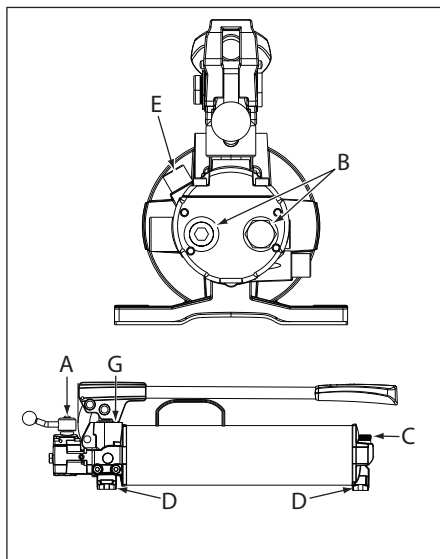
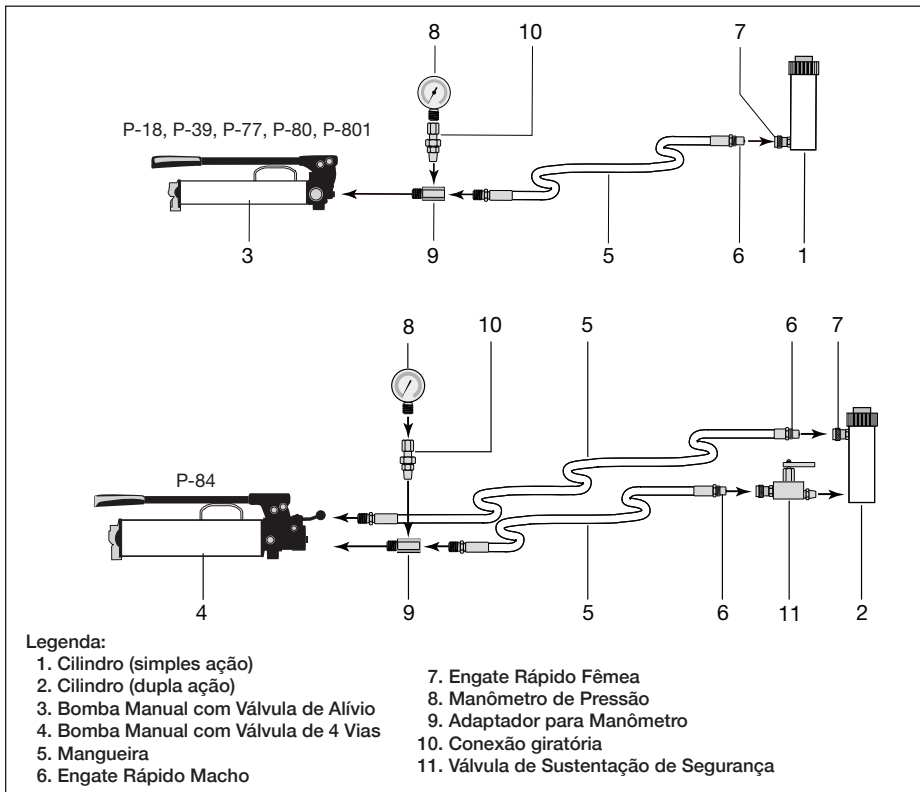


Figura 4, Modelo P-84



4.0 INSTALAÇÃO

4.1 Conectando a Bomba

1. Remova o(s) bujão(ões) de transporte da(s) conexão(ões) de saída.
2. Ajuste a válvula de alívio para o limite de pressão hidráulica desejado. Veja Seção 7.0 para instruções.
3. Conecte a(s) mangueira(s) na bomba. Para selar as roscas, use vedante aeróbico para roscas, pasta Teflon® ou fita Teflon®.

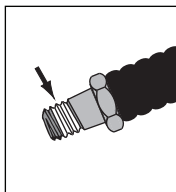


Figura 6

IMPORTANTE: Ao usar fita Teflon®, aplique-a até uma rosca antes do final da conexão, para evitar que pedaços da fita entrem no sistema hidráulico. Ver Figura 6.

4. Instale um manômetro de pressão de série a partir da bomba para maior segurança e melhor controle.
5. Conecte a(s) mangueira(s) ao seu cilindro ou ferramenta.
 - Para cilindros de simples ação, faça a ligação de uma mangueira a partir da bomba para o cilindro.
 - Para cilindros de dupla ação, faça a ligações com duas mangueiras. Conecte uma mangueira

entre a saída (A) da bomba e a saída de avanço do cilindro. Conecte outra mangueira entre a saída (B) da bomba e a saída de retorno do cilindro.

Somente modelos P-80 e P-801: Caso uma válvula redutora de pressão externa esteja sendo usada no circuito, conecte a saída da válvula do reservatório e a saída de retorno do reservatório da bomba.

Nota: Cilindros, mangueiras e acessórios mostrados na Figura 5 são vendidos separadamente e não incluídos com a bomba. Veja no catálogo Enerpac a descrição completa de componentes e acessórios disponíveis. Os componentes exatos e necessários ao seu sistema variam, dependendo da aplicação e outros fatores.

4.2 Ventilando a Bomba

A Série ÚLTIMA de bombas manuais foi projetada para operações sem ventilação. O bujão de abastecimento de óleo pode ser afrouxado, caso haja necessidade de sangrar o ar do sistema, mas deve estar totalmente instalado antes da utilização da bomba.

IMPORTANTE: Para evitar a entrada de contaminantes no sistema hidráulico, não acione a bomba quando o bujão de abastecimento de óleo estiver solto ou tenha sido removido.

4.3 Posicionamento da Bomba

A bomba pode ser acionada em ambas as posições, horizontal ou vertical. Ver Figura 7.

Quando acionada na posição vertical, o terminal da mangueira da bomba deve estar direcionado para baixo, ou haverá sucção de ar e a bomba não atingirá a pressão adequada.

Nota: A bomba não foi projetada para utilização na posição invertida (de cabeça para baixo).

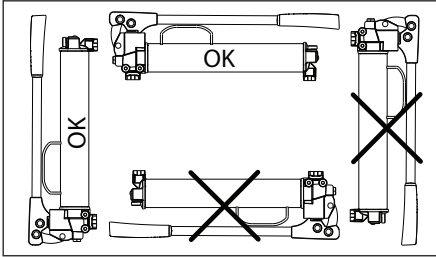


Figura 7, Orientação da Bomba

5.0 OPERAÇÃO

5.1 Antes de Usar a Bomba

1. Verifique todas as conexões e adaptadores do sistema para garantir que estão apertados e sem vazamento.
2. Verifique o nível de óleo do reservatório e acrescente se necessário. Veja as instruções na Seção 9.1.
3. Leia e compreenda os avisos seguintes, antes de acionar a bomba:



AVISO: Em determinadas situações, a alavanca da bomba pode “retornar inesperadamente”. Mantenha sempre seu corpo do lado da bomba, longe da linha de movimento da alavanca.



AVISO: Ao acionar a alavanca da bomba, mantenha mãos e dedos fora da área do ponto de trava, entre a bomba e a alavanca de acionamento/transporte.



PRECAUÇÃO: Remova sempre o(s) bujão(ões) de transporte da(s) conexão(ões) de saída da bomba e substitua-os por conexão(ões) hidráulica(s) adequada(s) antes de acionar a alavanca da bomba. Caso a bomba seja acionada com o(s) bujão(ões) de transporte instalado(s), o(s) bujão(ões) pode(m) ser ejetado(s) com muita força, resultando em possível dano físico.



PRECAUÇÃO: Nunca acrescente extensões na alavanca da bomba. Extensões podem causar instabilidade no funcionamento da bomba.



PRECAUÇÃO: Para evitar danos mecânicos, não pressione a alavanca da bomba depois que o final do percurso tenha sido alcançado. Não aplique força lateral na alavanca da bomba.

IMPORTANTE: Para reduzir o esforço da alavanca em alta pressão, acione com bombadas curtas. A ação máxima da alavanca é obtida nos últimos 5 graus do curso.

5.2 Vazão em Dois Estágios Modelos P-77, P-80, P-801 e P-84

Bombas de duas velocidades fornecem dois estágios de vazão. Quando não há carga, a bomba funciona no primeiro estágio de alta vazão para um avanço rápido. Quando há contato com a carga, a bomba automaticamente passa para o segundo estágio para atingir a pressão. Após a mudança de estágio de pressão, o bombeamento requer menos esforço.

Nota: Para melhor desempenho, acione a alavanca da bomba em velocidade moderada no estágio de alta vazão. Movimentos rápidos da alavanca no primeiro estágio evitam a liberação de todo o volume de óleo.

5.3 Operação da Bomba Modelos P-18, P-39, P-77, P-80 e P-801

Todos os modelos de bomba, exceto a P-84 são projetados para utilização com cilindros de simples ação e são equipados com uma válvula de alívio incorporada.

1. Feche a válvula de alívio, girando-a no sentido horário até sua parada. Ver Figura 8.



PRECAUÇÃO: Feche a válvula de alívio SOMENTE com aperto dos dedos. O uso de ferramenta na válvula de alívio pode danificá-la e causar o mau funcionamento da bomba.

2. Acione a alavanca para liberar a força hidráulica para o sistema. A pressão será mantida até que a válvula de alívio seja aberta.
3. Abra a válvula de alívio, girando o botão no sentido anti-horário. A pressão será liberada, permitindo o retorno de óleo para o reservatório.

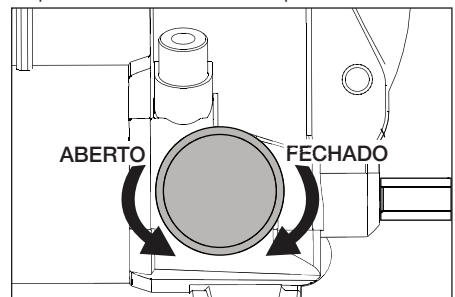


Figura 8, Válvula de Alívio (todas exceto P-84)



PRECAUÇÃO: Caso ocorra dificuldade no giro ou engripamento do botão da válvula de alívio, imediatamente pare o acionamento da bomba. Faça com que a bomba seja inspecionada e consertada em um Centro Autorizado de Serviços Enerpac.

5.4 Operação da Bomba - Modelo P-84

O modelo P-84 é equipado com uma válvula de controle de 4 vias, 3 posições. Foi projetado para uso com cilindros de dupla ação. Ver figuras 9 e 10.

1. Posicione a alavanca da válvula de 4 vias para selecionar a função, conforme a seguir:

(A) Vazão direcionada para a saída "A"; na saída "B" a vazão retorna para o reservatório.

(N) Neutro – saídas "A" e "B" abertas para o reservatório.

(B) Vazão direcionada para a saída "B"; na saída "A" a vazão retorna para o reservatório.



ADVERTÊNCIA: A válvula não possui dispositivo de sustentação de carga. Certifique-se de que a carga é suportada por bloqueio, suportes mecânicos ou outros apoios adequados, antes de movimentar a alavanca da válvula para a posição neutro (N).

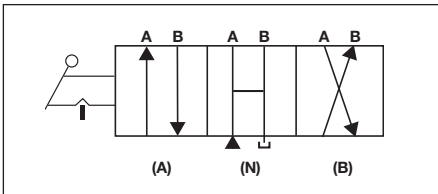


Figura 9, Diagrama da Válvula de 4 Vias (P-84)

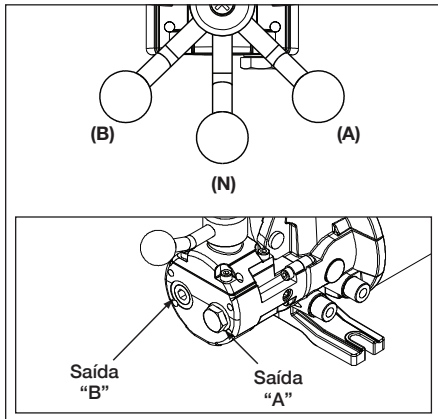


Figura 10, Posições da Alavanca da Válvula de Controle e Conexões da Mangueira (P-84)

2. Acione a bomba para executar o trabalho.

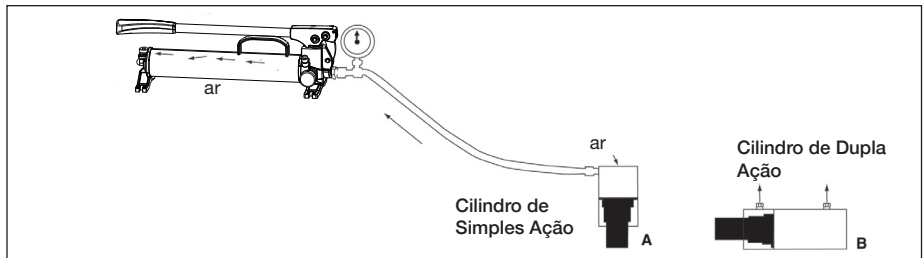


Figura 11, Sangrando o Ar

3. Mude as posições da válvula, conforme necessário.



ADVERTÊNCIA: Acione o cilindro de dupla ação somente quando ambas as mangueiras estiverem conectadas na bomba. Se um engate não estiver conectado, haverá aumento de pressão por trás do mesmo, o que pode causar lesões pessoais e/ou danos ao equipamento.

6.0 SANGRANDO O AR

A remoção do ar do sistema hidráulico facilita as operações de avanço e retorno do cilindro.

6.1 Bomba com Cilindro de Simples Ação

1. Afrouxe e remova o bujão de abastecimento de óleo para ventilar o reservatório, durante os próximos passos.
2. Feche completamente a válvula de alívio.
3. Coloque a bomba em posição horizontal, acima do cilindro. Ver Figura 11.
4. Coloque o cilindro com a haste voltada para baixo (voltada para cima no caso de cilindro de atracação).
5. Acione a bomba para distender totalmente o cilindro (faça-o retornar, ao usar cilindro de atracação).
6. Abra a válvula de alívio para que o cilindro retorne (faça-o distender, ao usar cilindro de atracação). Isto forçará com que o ar se movimente em direção ao reservatório da bomba.
7. Repita os passos 2 até 6 tantas vezes quanto necessárias, até que a operação do cilindro esteja suave.
8. Acrescente óleo se necessário. Ver Seção 9.1.
9. Reinstale o bujão de abastecimento de óleo.

6.2 Bomba com Cilindro de Dupla Ação

1. Gire o bujão de abastecimento de óleo diversas vezes para ventilar o reservatório durante os próximos passos.
2. Coloque a bomba em posição horizontal, acima do cilindro. Ver Figura 11.
3. Coloque o cilindro na posição horizontal com as saídas voltadas para cima.
4. Faça com que o cilindro avance e retorne por 2 a 3 vezes.
5. Repita os passos 2 até 4 tantas vezes quanto necessárias, até que a operação do cilindro esteja suave.
6. Acrescente óleo se necessário. Ver Seção 9.1.
7. Reinstale o bujão de abastecimento de óleo.

7.0 AJUSTANDO A VÁLVULA DE ALÍVIO

1. **Todos os modelos exceto P-84:** Instale um manômetro de pressão de 0-1000 bar [0-15,000 psi] na saída de óleo da bomba. Feche a válvula de alívio (gire totalmente o botão no sentido horário até sua parada).
2. **Somente modelo P-84:** instale um manômetro de pressão de 0-1000 bar [0-15,000 psi] na saída "A" da bomba. Instale um bujão na saída "B" da bomba. Mova a alavanca de controle da válvula para a posição (A).
3. Usando chave Allen de 1/4", remova a tampa guarda-pó posicionada sobre o parafuso de ajuste da válvula de alívio.
 - Nos modelos P-18 e P-39, a válvula de alívio está localizada na parte superior da cabeça da bomba. Ver Figura 12.
 - Nos modelos P-77, P-80, P-801 e P-84, a válvula de alívio está localizada na lateral da cabeça da bomba. Ver Figura 13.
4. Usando chave Allen de 7/32", gire o parafuso de ajuste da válvula de alívio por 2 voltas. Ver Figura 14.
5. Movimentando a alavanca da bomba, gire vagarosamente o parafuso de ajuste da válvula de alívio no sentido horário até que a pressão atinja o ajuste desejado. O ajuste de pressão é indicado quando bombadas adicionais não resultam em leitura mais alta no manômetro.

AVISO: Nunca ajuste a válvula de alívio com pressão acima de 725 bar [10,500 psi]. Sérias lesões pessoais podem ocorrer se o limite máximo for ultrapassado. Danos à bomba e aos componentes também podem ocorrer.

6. **Todos os modelos exceto P-84:** Depois que a pressão desejada for atingida, gire a válvula de alívio no sentido anti-horário para aliviar a pressão do sistema. Certifique-se de que o manômetro de pressão indique zero (0) psi/bar.
7. **Somente modelo P-84:** Depois que o ajuste é obtido, mova a alavanca da válvula para a posição neutro (N), para aliviar a pressão do sistema. Certifique-se de que a pressão do manômetro indique zero (0) psi/bar.
8. **Todos os modelos exceto P-84:** Remova o manômetro de pressão da saída de óleo da bomba. Reinstale a tampa guarda-pó sobre o parafuso de ajuste da válvula de alívio.
9. **Somente modelo P-84:** Remova o manômetro de pressão da saída "A" da bomba. Remova o bujão da saída "B" da bomba. Reinstale a tampa guarda-pó sobre o parafuso de ajuste da válvula de alívio.

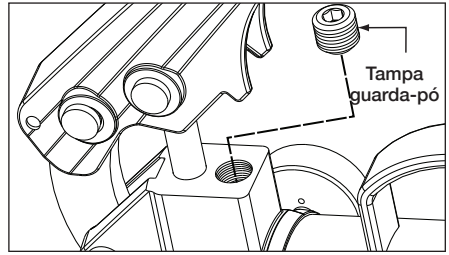


Figura 12, Válvula de Alívio (P-18 e P-39)

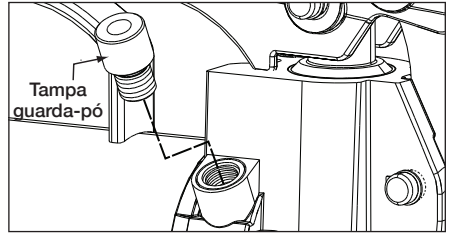


Figura 13, Válvula de Alívio (P-77, P-80, P-801 e P-84)

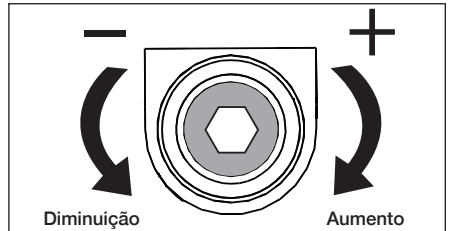


Figura 14, Parafuso de Ajuste da Válvula de Alívio

8.0 AJUSTE DA VÁLVULA BY-PASS MODELOS P-77, P-80, P-801 E P-84

A válvula by-pass controla a pressão na qual uma bomba de duas velocidades muda do primeiro para o segundo estágio. Ver Figura 15.

A válvula by-pass é ajustada de fábrica e não deve necessitar reajustes, a menos que a bomba tenha sido revisada ou consertada. Caso necessário, o ajuste deve ser executado somente por um Centro Autorizado de Serviços Enerpac.

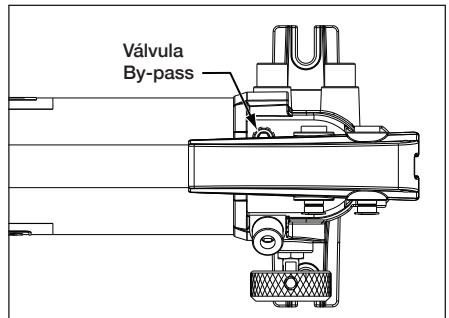


Figura 15, Válvula By-pass
(P-77, P-80, P-801 e P-84)

9.0 MANUTENÇÃO

Use somente óleo hidráulico Enerpac com a bomba para assegurar vida longa e proteção da garantia. Vedações de Viton e borracha etil propileno estão disponíveis para alguns modelos de bombas manuais. Entre em contato com seu representante Enerpac para maiores informações sobre estes produtos e suas aplicações.

9.1 Adicionando Óleo à Bomba



ADVERTÊNCIA: Sempre adicione óleo com os cilindros totalmente retraídos (distendidos no caso de cilindros de atracação) ou o sistema terá mais óleo que a capacidade do reservatório.

Verifique regularmente o nível do óleo e acrescente, se necessário. Veja os passos seguintes:

1. Coloque a bomba em posição horizontal numa superfície nivelada.
2. Remova o bujão de abastecimento do reservatório.
3. Verifique o nível de óleo. Ver Figura 16. Caso o óleo estiver baixo, acrescente mais, até que o nível chegue à rosca inferior da abertura do bujão de abastecimento de óleo.

IMPORTANTE: Não encha demais! O reservatório deve ter algum espaço para o ar, para permitir o funcionamento adequado. Se o reservatório estiver completamente cheio, haverá formação de vácuo, evitando a vazão do óleo quando a bomba é acionada.

4. Reinstale o bujão de abastecimento depois de acrescentar o óleo. Certifique-se de que o bujão está totalmente instalado (não está frouxo).
5. Remova o ar do sistema, se necessário. Ver Seção 6.0. Verifique novamente o nível de óleo, depois que o ar for removido.

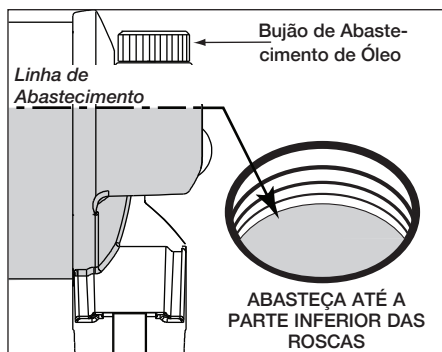


Figura 16, Nível de Óleo do Reservatório



ADVERTÊNCIA: O bujão de abastecimento de óleo da bomba contém uma passagem de alívio de pressão incorporada, um dispositivo de segurança que evita o excesso de pressão no reservatório. Use somente o bujão de abastecimento de óleo fornecido com a bomba, ou um substituto genuíno Enerpac, com especificações idênticas.



ADVERTÊNCIA: Nunca tente devolver mais óleo para o reservatório do que a sua capacidade.

9.2 Trocando o Óleo

A cada 12 meses, drene todo o óleo do reservatório e re-abasteça com óleo Enerpac limpo. Caso a bomba seja usada em ambientes sujos, troque o óleo com mais frequência.

1. Remova o bujão de abastecimento de óleo do reservatório.

2. Incline a bomba para drenar o óleo usado

IMPORTANTE: Descarte o óleo usado de acordo com as leis e regulamentações aplicáveis.

3. Abasteça o reservatório com óleo Enerpac novo. Veja a Seção 9.1 para informações adicionais.
4. Reinstale o bujão de abastecimento de óleo.

9.3 Lubrificação

Para prolongar a vida útil da bomba e melhorar seu desempenho, lubrifique regularmente os três pinos da alavanca da bomba usando graxa para rolamentos. Ver Figura 17.

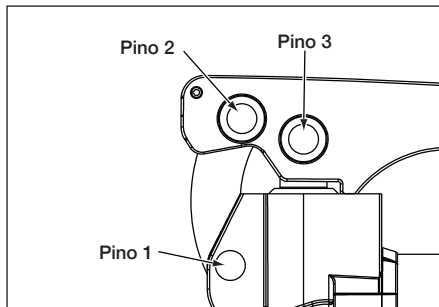


Figura 17, Pontos de Lubrificação

9.4 Mantendo Limpas as Linhas de Óleo

Instale sempre tampas guarda-pó quando as metades dos engates estiverem desconectadas. Use todos os cuidados necessários para evitar a entrada de sujeira no sistema e falhas da bomba e de outros componentes.

10.0 SOLUCIONANDO PROBLEMAS

As informações contidas neste guia (ver Tabela 3) devem ajudar no diagnóstico e na solução de problemas que possam ocorrer.

Uma falha no sistema pode ou não ser o resultado do mau funcionamento da bomba. Para determinar a causa do problema, o sistema completo deve ser incluído no procedimento de diagnóstico.

Para serviços de reparo, entre em contato com o Centro de Serviços Autorizados Enerpac local. Somente um Centro de Serviços Autorizados Enerpac deveria consertar a bomba ou os componentes do sistema.

Tabela 3, Guia de Soluções de Problemas - Série ÚLTIMA de Bombas Manuais

Problema	Causa Possível	Solução
Cilindro não avança, avança vagarosamente, ou avança aos “trancos”.	<ol style="list-style-type: none"> Nível baixo de óleo no reservatório da bomba. Válvula de alívio aberta ou não totalmente fechada. Ajuste muito baixo da válvula de alívio. Engate hidráulico não conectado adequadamente. Carga é muito pesada. Ar preso no sistema. Reservatório abastecido além do limite. Haste do cilindro travada 	<ol style="list-style-type: none"> Acrescente óleo, de acordo com as instruções da Seção 9.1. Feche a válvula de alívio. Ajuste a pressão da válvula de alívio de acordo com as instruções da Seção 7.0. Verifique se todas as conexões estão totalmente apertadas. Não tente levantar mais que a tonelagem nominal. Remova o ar de acordo com as instruções da Seção 6.0. Remova o excesso de óleo do reservatório. <p>Nota: Caso o cilindro funcione normalmente quando o bujão de abastecimento de óleo da bomba estiver solto, o reservatório pode estar com excesso de óleo.</p> <ol style="list-style-type: none"> Verifique se há danos no cilindro. Faça com que o cilindro seja consertado em um Centro de Serviços Autorizado Enerpac.
Cilindro avança, mas não sustenta a pressão.	<ol style="list-style-type: none"> Vazamento na conexão. Vazamento nas vedações. Vazamento interno na bomba. Ajuste muito baixo da válvula by-pass. (Modelos P-77, P-80, P-801 e P-84) 	<ol style="list-style-type: none"> Verifique se todas as conexões estão apertadas e sem vazamento. Localize o(s) vazamento(s) e faça com que o sistema seja consertado em um Centro de Serviços Autorizados Enerpac. Faça com que a bomba seja consertada em um Centro de Serviços Autorizado Enerpac Faça com que um Centro de Serviços Autorizado Enerpac execute o ajuste da válvula by-pass.
Cilindro não retorna, retorna apenas em parte, ou retorna mais vagarosamente que o normal.	<ol style="list-style-type: none"> Válvula de alívio fechada. Ar preso no sistema. Engate hidráulico não adequadamente conectado. Ar preso no sistema. Mangueira com diâmetro interno muito estreito. Mola de retorno do cilindro quebrada ou outros danos no cilindro. Válvula de série fechada. 	<ol style="list-style-type: none"> Abra a válvula de alívio. Remova o excesso de óleo do reservatório. <p>Nota: Caso o cilindro funcione normalmente quando o bujão de abastecimento de óleo da bomba estiver solto, o reservatório pode estar com excesso de óleo.</p> <ol style="list-style-type: none"> Verifique se todas as conexões estão totalmente apertadas. Remova o ar de acordo com as instruções da Seção 6.0. Use mangueiras com diâmetro maior. Faça com que o cilindro seja consertado em um Centro de Serviços Autorizado Enerpac. Verifique se todas as válvulas de série (se usadas) estão corretamente ajustadas.

Nota: Para localizar o Centro de Serviços Autorizados Enerpac mais próximo, busque em www.enerpac.com.

L3070 Rev. F 03/17

本产品的维修部件说明可以从ENERPAC网站WWW.ENERPAC.COM, 或从您最近的ENERPAC服务中心, 或ENERPAC办事处获得。

1.0 重要收货说明

检查所有零件是否存在运输损伤。运输过程中的损伤不在质保范围。如发现运输过程中的损伤, 请立即通知承运商, 其有责任承担由运输损坏造成的修理及更换费用。

安全第一

2.0 安全条例



阅读所有说明书, 警告及注意事项。操作时, 遵守一切安全规则, 避免发生人身伤害及财产损失。如果用户由于非安全生产, 缺乏正常维护, 操作或使用不当而造成的人身伤害及财产损失, ENERPAC不负任何责任。如对安全防范及措施有任何疑问, 请和ENERPAC联系。如果您在高压液压方面从来未接受过培训, 请联系您本地区的分销商或服务中心进行免费的ENERPAC液压安全培训课程。

不遵守下列警示及防范条例, 将会造成设备损坏及人身伤害。

注意-用来说明正确的操作、维护程序以及如何避免伤害或损坏设备及其他财产。

警告-说明一种潜在的危險, 要求有正确的程序和习惯以避免人身伤害。

危險-仅是指您的某个动作(或缺乏某个动作)可能导致严重的伤害甚至死亡事故。



警告: 当操作高压液压系统时应配备正确的劳动保护装备。



警告: 不要在液压力支撑的负载下逗留。当油缸被用来作为顶升负载的装置时, 绝不能够作为负载支撑装置来使用。在负载被顶升或下降后, 必须采用机械装置牢固支撑。



警告: 必须使用刚性物体来支撑重物。仔细选择能够承受重物的钢或者木块来支撑载荷。不要在顶升或挤压应用中将液压缸当作垫块使用。



危險: 为避免人身伤害, 操作中手脚与油缸和工件保持一定距离。



警告: 在顶升负载时, 绝对不要超过油缸额定负载。超载将导致设备损坏和人身伤害。油缸的设计最大压力为700bar。不要将油缸和千斤顶连接在更高压力等级的泵上。



警告: 禁止把溢流阀压力设置为高于 725 bar [10, 500 psi]。如果超过这个最高限值, 则可能导致严重的人身伤害。还可能导致泵和组件损坏。



警告: 系统的最大工作压力决不能超过系统中最低压力等级原件的最大工作压力。安装压力表在系统中以检测系统压力。压力表是您观察液压系统的窗口。



注意: 避免损坏软管。在排放软管时应避免过度弯曲和绞结软管。使用过度弯曲或绞结的软管将会产生极大的背压。过度弯曲和绞结软管将损坏软管内部结构, 从而导致油管过早失效。



避免: 将重物砸压在油管上。剧烈的冲击会对油管内部钢丝编织产生损害。给有损伤的油管加压会导致油管爆裂。



重要: 严禁提拉软管或旋转接头来提起液压设备。应使用搬运手柄或其他安全方式。



注意: 使液压设备远离明火或过热源。过热会软化衬垫和密封,

导致油液泄漏。热量也会弱化软管材料和包装。为了达到最佳工作状态，不要让设备处于65°C或更高温度中。保护软管和油缸免受焊接火花的喷溅。



危险：不要用手触摸打压状态的软管。飞溅出的压力油能射穿皮肤，导致严重的伤害。如有压力油溅到皮肤上，请立即去看医生。



警告：只能在系统全部连接好后才能使用油缸，决不能在系统未完全连接时使用油缸。如果油缸极度过载，各部件将产生不可挽回的损坏，其结果导致极为严重的人身伤亡。



警告：在顶升负载前应确保安装件的稳定性。油缸应放置在一个可承受负载的平坦平面上。在一些应用中可使用油缸基座提高油缸稳定性。不要用焊接或其他更改方法加固油缸底部。



避免：负载的力作用线没有穿过油缸活塞杆的中心。偏心负载将会在油缸和活塞杆上产生相当大的张

力，此外负载也可能滑移和倒下产生潜在危险。



将负载作用力完全分配到整个鞍座表面。始终使用鞍座保护活塞杆。



重要：液压设备必须由有资质的液压技术人员维护。如需修理维护，请与您区域内的ENERPAC授权服务中心联系。请使用ENERPAC液压油，以保护ENERPAC对您设备的质量保证。



警告：及时用正牌的ENERPAC零件替换已磨损或已损坏的零件。普通级别的零件会破裂，导致人身伤害和财产损失。ENERPAC零部件被设计来承受高压载荷。



注意：移动泵时，必须使用泵的提手/搬运手柄。通过软管提起泵可能会导致软管和/或泵损坏。

3.0 产品信息

表 1, 规格 - ULTIMA 系列手动泵

泵型号	泵类型 (速度)	最大额定压力 bar [psi]		每行程排油量 cm ³ [in ³]		可用 油容量 cm ³ [in ³]	带油 重量 kg [Lbs]	最高手柄 操作力 kg [lbs]
		第 1 级	第 2 级	第 1 级	第 2 级			
P-18	1	—	200 [2,850]	—	2,46 [0.15]	360 [22]	5,0 [11.0]	16 [36]
P-39	1	—	700 [10,000]	—	2,46 [0.15]	769 [47]	6,2 [13.6]	38 [85]
P-77	2	34 [500]	700 [10,000]	16,38 [1.00]	2,46 [0.15]	769 [47]	7,1 [15.6]	40 [88]
P-80	2	34 [500]	700 [10,000]	16,38 [1.00]	2,46 [0.15]	2195 [134]	10,7 [23.6]	35 [77]
P-801	2	34 [500]	700 [10,000]	16,38 [1.00]	2,46 [0.15]	4095 [250]	14,0 [31.0]	35 [77]
P-84	2	34 [500]	700 [10,000]	16,38 [1.00]	2,46 [0.15]	2195 [134]	11,7 [26.0]	35 [77]

表 2, 外形和主要组件 - ULTIMA 系列手动泵

项目 (各项的位置见图 1 到图 4)	泵型号					
	P-18	P-39	P-77	P-80	P-801	P-84
A	卸荷阀	卸荷阀	卸荷阀	卸荷阀	卸荷阀	三位四通控制阀
B	一个 3/8" NPTF 出口	一个 3/8" NPTF 出口	一个 3/8" NPTF 出口	一个 3/8" NPTF 出口	一个 3/8" NPTF 出口	两个 3/8" NPTF 出口
C	充油塞	充油塞	充油塞	充油塞	充油塞	充油塞
D	安装槽	安装槽	安装槽	安装槽	安装槽	安装槽
E	可由用户调节的溢流阀	可由用户调节的溢流阀	可由用户调节的溢流阀	可由用户调节的溢流阀	可由用户调节的溢流阀	可由用户调节的溢流阀
F	—	—	—	3/8" NPTF 油箱回油口	3/8" NPTF 油箱回油口	—
G	—	—	旁通阀	旁通阀	旁通阀	旁通阀

3.1 泵的外形和主要组件

泵的外形和主要组件的位置见图 1 到 4。项目 A 到 G 的描述见表 2。

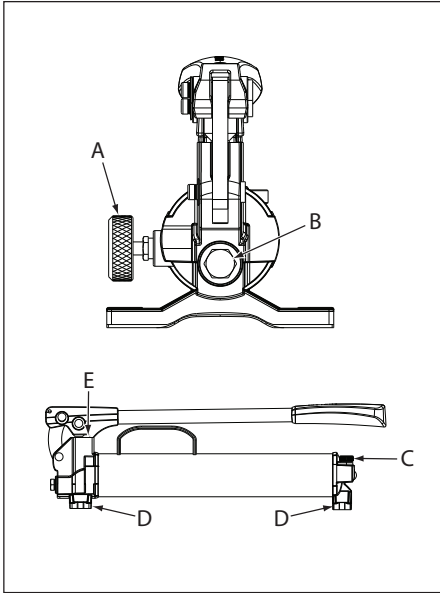


图 1, 型号 P-18 和 P-39

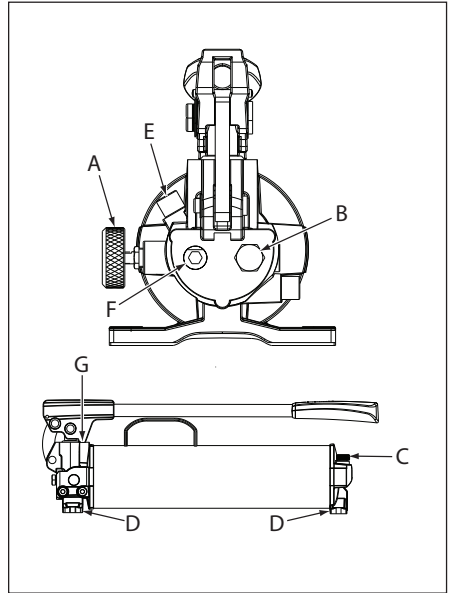


图 3, 型号 P-80 和 P-801

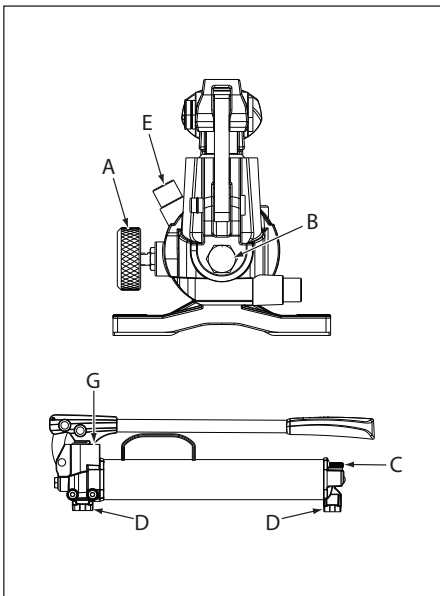


图 2, 型号 P-77

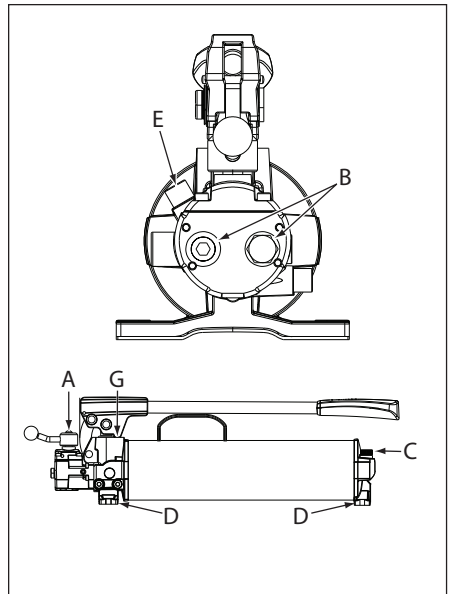


图 4, 型号 P-84

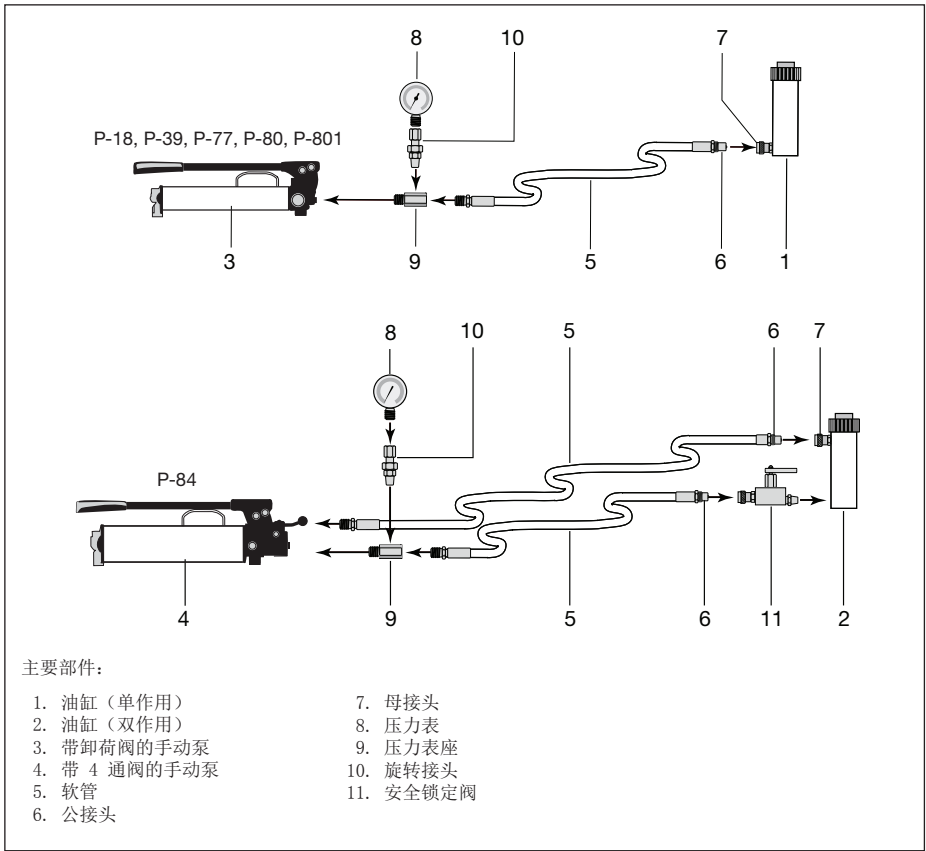


图 5, 液压连接（典型）

4.0 安装说明

4.1 泵的管路连接

1. 从泵出口拆下运输塞。
2. 把溢流阀调整到所需压力。请参阅第 7.0 节中的说明。
3. 把软管连接到泵出口，应使用厌氧螺纹密封剂、Teflon® 密封胶或 Teflon® 密封带。

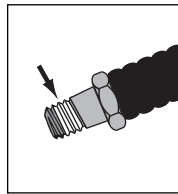


图 6

重要事项：在使用 Teflon® 密封带时，螺纹的第一圈应不被密封带覆盖，以防止密封带碎屑进入液压系统内部。见图 6。

4. 在泵的压力管上连接一个压力表，以提高安全性和更好地进行控制。
5. 把软管连接到油缸或工具上。
 - 对于单作用油缸，从泵到油缸连接一根软管。
 - 对于双作用油缸，连接两根软管。从泵的油口

- (A) 到油缸压力油口连接一根软管。从泵的油口
- (B) 到油缸回油油口连接一根软管。

仅型号 P-80 和 P-801：如果油路中使用了外部减压阀，则把阀的回油口连接到泵的油箱回油口。

注：图 5 所示油缸、软管和附件单独销售，不包含在泵内。关于可供应的组件和附件的完整说明，请参阅 Enerpac 产品目录。您的系统需要的确切组件将因应用场合及其他因素而异。

4.2 泵的排气

ULTIMA 系列手动泵本身不需排气。当系统需要排气时，可拧开充油塞，但是在使用泵之前必须将其装好。

重要事项：为防止污染物进入液压系统内，请勿在拧松或拆下充油塞的情况下使用泵。

4.3 泵的工作位置

泵可以在水平位置或垂直位置上运行。见图 7。

在垂直位置运行时，泵的软管端必须朝下，否则，泵会吸入空气并因此无法正确建立压力。

注：该泵不能在倒置位置使用

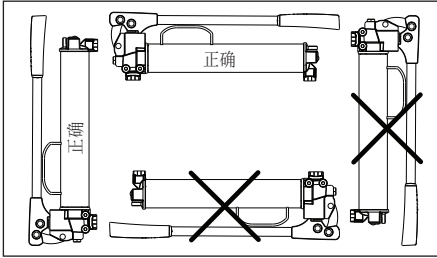


图 7, 泵方向

5.0 操作说明

5.1 开机准备

1. 检查所有系统配件和连接，确保它们紧密且无泄漏。
2. 检查油箱的油位，需要时加油。请参阅第 9.1 节中的说明。
3. 使用泵之前，阅读并理解如下注意事项：



警告：在某些情况下，泵手柄可能会“反弹”。必须保持身体位于泵的侧面，并且远离手柄回弹力范围。



警告：在操作泵手柄时，手和手指必须远离泵手柄与提手/搬运手柄之间的夹手区。



注意：在操作泵手柄之前，必须拆下泵出口上的运输塞，并换上适用的液压接头。如果在安装了运输塞的情况下操作泵手柄，运输塞会从油口弹出并带有极大的力，因此有可能造成人身伤害。



注意：禁止在泵手柄上使用加长装置。加长装置会导致泵运转不稳定。



注意：为了防止机械损坏，禁止在手柄已达到行程末端时继续拉动泵手柄。禁止在泵手柄上施加侧向力。

重要事项：要减少高压下的手动操作，请采取短的冲程。在冲程的最后 5 度杠杆作用最强。

5.2 两级流量

型号 P-77、P-80、P-801 和 P-84

双速泵提供两级流量。在没有负荷的情况下，泵在高流量的第一级工作，以快速前进。接触到负荷后，泵自动转换到第二级来建立压力。泵转换后，泵工作所需的力较小。

注：为了获得最佳性能，在大流量的第一级应以中等速度操作泵手柄。在第一级手柄速度过快会导致泵供油不足。

5.3 操作说明

型号 P-18、P-39、P-77、P-80 和 P-801

除 P-84 之外，所有型号的泵都是用于单作用油缸的，配有一体式卸荷阀。

1. 将旋钮顺时针旋转到底来将卸荷阀关闭。见图 8。



注意：关闭卸荷阀时仅用手拧紧。在卸荷阀上使用工具会导致卸荷阀损坏，还可能导致泵故障。

2. 操作泵手柄来为系统提供液压力。压力将保持，直到泄压阀打开为止。
3. 通过逆时针旋转旋钮打开泄压阀。压力将卸除，使油流回油箱内

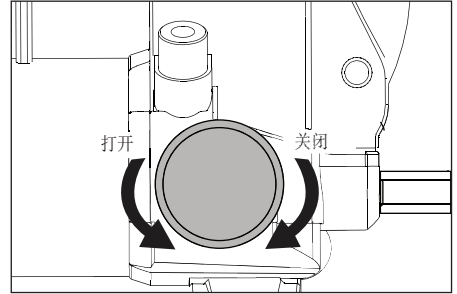


图 8, 卸荷阀 (除 P-84 之外的全部型号)



注意：如果卸荷阀旋钮转动困难或被卡住，立即停止使用泵。请 Enerpac 授权服务中心检查和修理泵。

5.4 泵操作 - 型号 P-84

型号 P-84 装有一个三位四通控制阀。该型号用于双作用油缸。见图 9 和 10。

1. 按如下所述操作 4 通阀上的操作杆来选择功能：
 - (A) A 口出油，B 口回油。
 - (N) 中间 - 孔口“A”和“B”向油箱打开。
 - (B) B 口出油，A 口回油。



警告：阀门不含负载保持装置。将阀杆移动到中间 (N) 位置之前，确保负载由大块的机械底座或其它适当的支撑物支撑。

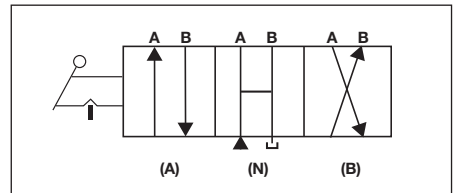


图 9, 4 通阀 (P-84)

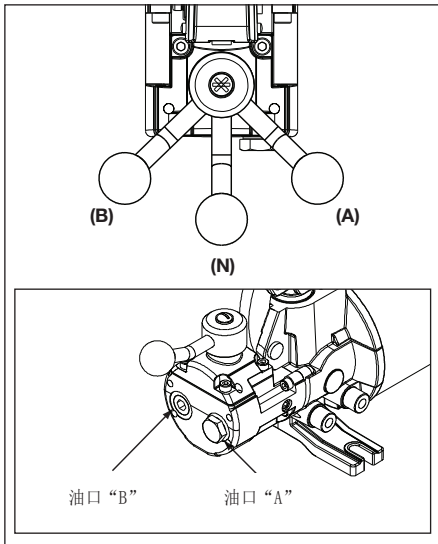


图 10, 控制阀手柄位置和软管连接 (P-84)

2. 操作泵来执行工作。
3. 根据需要改变阀位



警告：仅当两根软管都连接到泵时才能操作双作用油缸。当一个接头未连接时，该接头后面会建立高压，因此可能会导致人身伤害和/或设备损坏。

6.0 排气

排除液压系统内的空气有助于油缸平稳地前进和后退。

6.1 用于单作用油缸的泵

1. 拧松并拆下充油塞，以便在如下操作中排除油箱内的空气。
2. 完全关闭卸荷阀。
3. 把泵放在一个高于油缸的水平位置上。见图 11。
4. 让油缸的活塞端朝下（使用拉式油缸时为朝上）。
5. 操作泵来使油缸完全伸出（使用拉式油缸时为收回）。
6. 打开卸荷阀来收回油缸（使用拉式油缸时为伸出）。这将迫使滞留的空气向上移入泵的油箱。
7. 必要时重复步骤 2 到 6，直到油缸能够平稳运行为止。

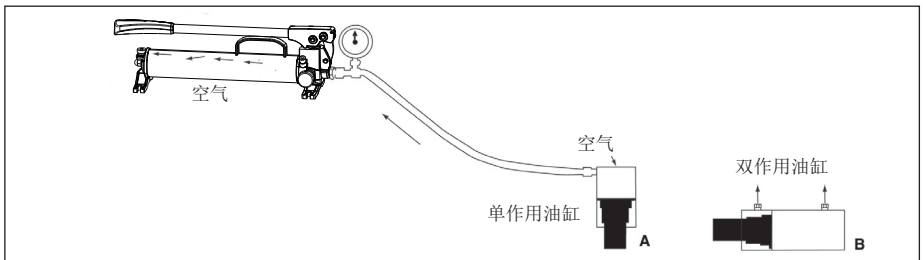


图 11, 排气

8. 必要时加油。见第 9.1 节。
9. 重新装好充油塞。

6.2 用于双作用油缸的泵

1. 拧松充油塞几圈，以便在如下操作中排除油箱内的空气。
2. 把泵放在一个高于油缸的水平位置上。见图 11。
3. 把油缸置于水平位置，孔口朝上。
4. 完全前进和后退油缸 2 到 3 次。
5. 必要时重复步骤 2 到 4，直到油缸能够平稳运行为止。
6. 必要时加油。见第 9.1 节。
7. 重新装好充油塞

7.0 溢流阀调节

1. 除 P-84 之外的所有型号：在泵的出口安装一个 0-1000 bar [0-15,000 psi] 压力表。关闭卸荷阀（将旋钮顺时针旋转到底）。
2. 仅型号 P-84：在泵的油口“A”安装一个 0-1000 bar [0-15,000 psi] 压力表。在泵的油口“B”安装一个堵头。把控制阀手柄移动到位置 (A)。
3. 使用一个 1/4" 内六角扳手拆下溢流阀调节螺钉上的防尘塞。
 - 在型号 P-18 和 P-39 上，溢流阀位于泵头的顶面。见图 12。
 - 在型号 P-77、P-80、P-801 和 P-84 上，溢流阀位于泵头的侧面。见图 13。

注：为了在如下步骤中获得准确设置，请务必将压力降低到低于所需最终设置的某一点，然后缓慢提高压力，直至达到最终设置值为止。

4. 使用 7/32" 内六角扳手拧松溢流阀调节螺钉大约 2 圈。见图 14。
5. 在操作泵手柄的同时，顺时针方向缓慢转动溢流阀调节螺钉，直至压力增高到所需设置值。当继续操作泵后压力表压力读数不再升高时，表示已达到设置压力。



警告：禁止把溢流阀压力设置为高于 725 bar [10,500 psi]。如果超过这个最高限值，则可能导致严重的人身伤害。还可能导致泵和组件损坏。

6. 除 P-84 之外的所有型号：达到所需设置后，逆时针方向转动卸荷阀来卸除系统压力。确保压力表读数为零 (0) bar /psi。
7. 仅型号 P-84：达到所需设置后，将阀门手柄移动到中间位置 (N) 来卸除系统压力。确保压力计读数为零 (0) bar /psi

8. 除 P-84 之外的所有型号：从泵的出口上拆下压力表。重新装好溢流阀调节螺钉上的防尘塞。
9. 仅型号 P-84：从

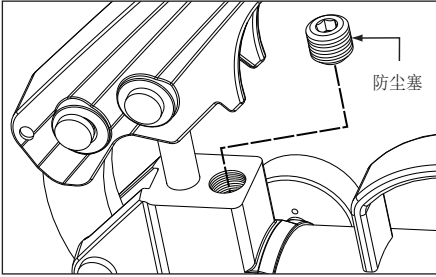


图 12, 溢流阀 (P-18 和 P-39)

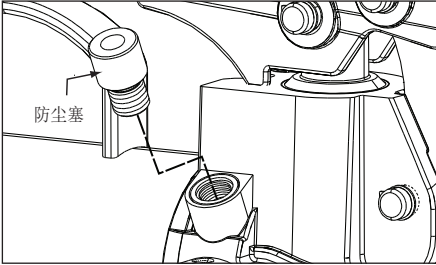


图 13, 溢流阀 (P-77、P-80、P-801 和 P-84)

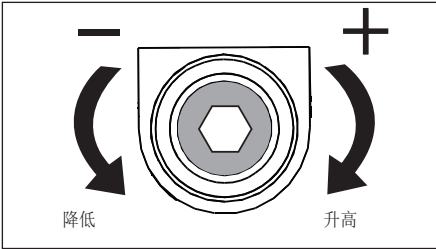


图 14, 溢流阀调节螺钉

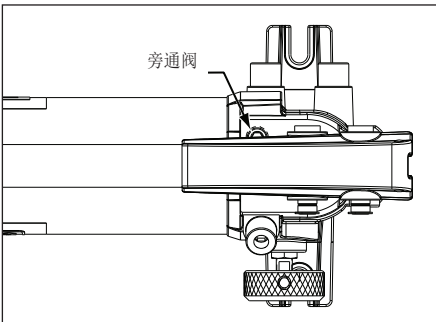


图 15, 旁通阀 (P-77、P-80、P-801 和 P-84)

8.0 旁通阀调节

型号 P-77、P-80、P-801 和 P-84

旁通阀控制双速泵从第一级转换到第二级时的压力。见图 15。

旁通阀是在工厂设置好的，除了对泵进行大修或维修时外，不需要重新调节。需要重新调节时，只能由 Enerpac 授权服务中心执行。

9.0 加油

为了延长泵的使用寿命和便于质保，在该泵上只能使用 Enerpac 液压油。有些手动泵型号提供 Viton 和乙烯丙烯橡胶密封套件。欲了解关于这些产品及其应用场合的更多信息，请与 Enerpac 代表联系。

9.1 为泵加油



警告：必须在油缸完全退回（对于拉式油缸为伸出）的状态下加油，否则系统内会加入高于油箱容量的油。

定期检查油位，必要时加油。请参阅以下步骤：

1. 把泵以水平位置放在一个水平面上。
2. 从油箱上拆下充油塞。
3. 检查油位。见图 16。如果油位过低，则加油，直至油位达到充油塞孔螺纹底部为止。

重要事项：不要过量加油！油箱内必须存在一定空气空间泵才能正常工作。如果油箱内的油过多，在操作泵时就会形成阻碍油流的真空。

4. 加油后重新装好充油塞。确认充油塞已完全装好（不松动）。
5. 必要时进行系统排气。见第 6.0 节。排气后重新检查油位。

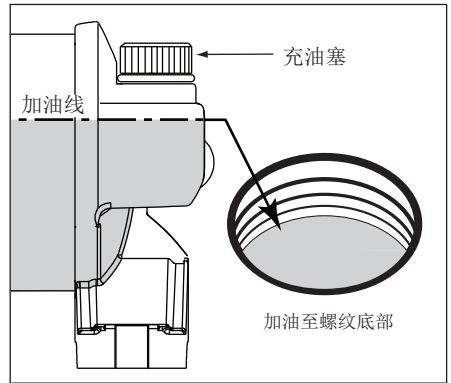


图 16, 油箱油位



警告：泵的充油塞内有一个集成的溢流通道，用于防止油箱超压。只能使用随泵提供的充油塞或者具有相同规格的 Enerpac 正品备用充油塞。



警告：禁止试图让超过油箱容量的油流回油箱。

9.2 换油

每隔 12 个月，排空油箱内的油并重新加上清洁的 Enerpac 油。如果泵的使用环境多尘，则应缩短换油间隔。

1. 从油箱上拆下充油塞。
2. 倾斜泵来排空旧油。

重要事项：按照所有适用法律和法规的规定处理用过的油。

3. 在油箱内加入新的 Enerpac 油。请参阅第 9.1 节中的更多信息。
4. 重新装好充油塞。

9.3 润滑

为了延长泵的寿命和提高性能，应定期使用滚子轴承润滑脂润滑三个泵手柄销。见图 17。

9.4 保持油路清洁

当两个半接头断开连接时，请务必安装防尘盖。为了防止泵和其他组件损坏，必须采取所有预防措施来防止灰尘或其他异物进入系统内

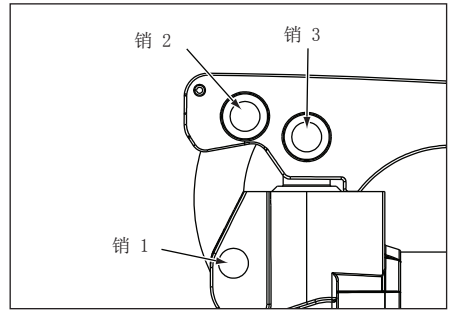


图 17, 润滑点

10.0 故障排除指南

故障排除指南（见表 3）提供的信息仅用于帮助诊断和纠正部分可能发生的故障。

系统故障不一定是由泵故障导致的。要确定问题的原因，诊断过程必须包括整个系统。

有关维修服务，请联系当地的 Enerpac 授权服务中心。只能由 Enerpac 授权服务中心对泵或系统组件进行维修。

表 3, 故障排除指南 - ULTIMA 系列手动泵		
问题	可能的原因	解决方案
油缸不前进、前进缓慢或者前进不稳定。	<ol style="list-style-type: none"> 1. 泵油箱的油位低。 2. 卸荷阀打开或者没有完全关闭。 3. 溢流阀压力设置过低。 4. 液压接头连接不当。 5. 负载过重 6. 系统内有空气。 7. 油箱加油过多。 8. 油缸活塞运动不畅。 	<ol style="list-style-type: none"> 1. 按照第 9.1 节内的说明加油。 2. 关闭卸荷阀。 3. 按照第 7.0 节内的说明设置溢流阀压力。 4. 检查所有接头是否完全拧紧。 5. 禁止超载。 6. 按照第 6.0 节内的说明排除空气。 7. 排除油箱内多余的油。 8. 检查油缸是否损坏。让 Enerpac 授权服务中心维修油缸。 <p>注：如果在拧松泵充油塞后油缸工作正常，则说明可能是油箱加油过多。</p>
油缸前进，但是不能保持压力。	<ol style="list-style-type: none"> 1. 连接泄漏。 2. 密封泄漏。 3. 泵存在内部泄漏。 4. 旁通阀设置过低（型号 P-77、P-80、P-801 和 P-84）。 	<ol style="list-style-type: none"> 1. 检查所有连接是否拧紧、无泄漏。 2. 找到漏点，让 Enerpac 授权服务中心维修设备。 3. 让 Enerpac 授权服务中心维修泵。 4. 让 Enerpac 授权服务中心调节旁通阀设置。
油缸不后退、只能部分后退或后退速度比正常情况慢。	<ol style="list-style-type: none"> 1. 卸荷阀处于关闭状态。 2. 油箱加油过多。 3. 液压接头连接不当。 4. 系统内有空气。 5. 软管内径过小。 6. 油缸后退弹簧损坏或其他油缸损坏。 7. 直通阀门关闭。 	<ol style="list-style-type: none"> 1. 打开卸荷阀。 2. 排除油箱内多余的油。 注：如果在拧松泵充油塞后油缸工作正常，则说明可能是油箱加油过多。 3. 检查所有接头是否完全拧紧。 4. 按照第 6.0 节内的说明排除空气。 5. 使用直径大一些的液压软管。 6. 让 Enerpac 授权服务中心维修油缸。 7. 确保直通阀门（如果使用）设置正确。

注：欲查找离您最近的 Enerpac 授权服务中心的地址，请访问 www.enerpac.com

L3070 改訂・F 03/17

本製品の修理部品表は、グローバルエナパックのウェブサイトで、www.enerpac.com、最寄りの正規エナパックサービスセンターまたはエナパックカスタマーサービスにご連絡ください。

1.0 製品受取時の注意

全ての部品に運送中の損傷がないか目視で確かめてください。運送中の損傷は保証されません。運送中の損傷が見つかった場合、すぐに運送業者に連絡してください。運送中に生じた損傷については、運送業者が修理費や交換費を全て負担します。

安全上の注意

2.0 安全事項



指示、警告、注意は必ずよくお読みください。安全注意事項に従って、システム操作中に人身事故や器物破損が起こらないようにしてください。エナパックは、不安全な製品の使用、保守の不足、製品及び/又はシステムの不正な操作から生じる損傷や怪我には責任を負いません。安全注意事項及び操作に関して疑問点があれば、エナパックまでお問い合わせください。高圧油圧の安全に関する訓練を受けたことがない場合、無料のエナパックハイドロリック安全コースについて、担当の販売店又はサービスセンターにお問い合わせください。

以下の注意及び警告に従わない場合、装置破損や人身事故の原因となる恐れがあります。

注意は、装置やその他器物の破損を防止するための、適正な操作や保守手順を示す場合に使われます。

警告は、人身事故を予防するために適正な手順や心得が必要な潜在的な危険性を示します。

危険は、重傷や死亡事故の原因となる恐れがある禁止行為又は必須行為を示します。



警告：油圧機器を取り扱う際は、適切な保護用具を装着してください。



警告：油圧によって支える荷物はきれいにしておいてください。シリンダを荷揚げのために利用する場合、絶対に荷重保持には使用しないでください。荷物を揚げ降ろした後は、必ず機械的なブロック（固定）を施してください。



警告：荷物の保持には、必ず頑丈なものを使用してください。荷物を支持可能なスチール製又は木製のブロックを慎重に選んでください。どのような荷揚げ又はプレスであっても、油圧シリンダを絶対にシム又はスペーサーとして使用しないでください。



危険：操作中は、人身事故を防止するため、シリンダや作業物から手足を離してください。



警告：装置の定格を超えないようにしてください。シリンダの能力を超える重量の荷揚げは絶対に行わないでください。過荷重は、装置の故障や場合によっては人身事故の原因となります。シリンダに設計されている最大圧力は、70 MPa (10,000 psi) です。ジャッキやシリンダは、定格を超える圧力のポンプには接続しないでください。



警告：リリーフ弁の圧力は、72.5 MPa (10,500 psi) 以上に設定しないでください。この上限を超えると、重大な人身事故の原因となります。ポンプや構成部品が破損する原因にもなります。



警告：システムの使用圧力は、システム内の最低定格部品の圧力定格を超えないようにしてください。圧力計をシステムに取り付けて、使用圧力をモニターしてください。システムの監視は、各自が行ってください。



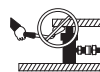
注意：油圧ホースを損傷させないでください。油圧ホースは、敷設時に折り曲げたりねじったりしないでください。折れ曲がったりねじれたホースを使用すると、大きな逆圧が発生します。ホースを折れ曲がったりねじれたままにしておくと、ホースの内部が損傷して、早期故障を引き起こします。



ホースの上に重いものを落とさないでください。強い衝撃によって、ホース内部のワイヤストランドが損傷する恐れがあります。損傷しているホースに圧力をかけると、破裂する恐れがあります。



重要：油圧装置は、ホースやスイベルケーブルを使って持ち上げないでください。安全に移動させるために、キャリングハンドルやその他の手段を用いてください。



注意：油圧装置は、火気や熱源から離してください。過熱によって、パッキンやシールが柔らかくなり、液漏れが生じます。また、熱によって、ホース材やパッキンが劣化します。最適な性能を保つには、装置を55°C (150°F) 以上の温度にさらさないでください。ホースやシリンダに対する溶接スパッタは避けてください。



危険：加圧されているホースには、触れないでください。加圧状態のオイルが漏れて皮膚に浸透すると、重大な人身事故の原因となります。オイルが皮膚下にしみ込んだ場合、すぐに医師の診断を受けてください。



警告：油圧シリンダは、必ず連結システムで使用してください。カプアを接続していないシリンダは使用しないでください。シリンダは、極度な過荷重を受けると部品が破壊されて重大な人身事故の原因となります。



警告：荷揚げの前に、安定して設置されていることを確かめてください。シリンダは、荷物の重量に耐えることができる平面に配置してください。適用できる場合は、シリンダベースを使用してさらに安定性を確保してください。シリンダは、ベースやその他の支持物を取り付ける際に、溶接したり変形させないでください。



荷物が直接シリンダブランジャ上の中心置かれな状態は避けてください。偏心荷重は、シリンダとブランジャに相当なひずみを与えます。また、荷物が滑ったり落下して、危険な状況を引き起こす恐れがあります。



荷物はサドル全面に渡って均等に配置してください。ブランジャを保護するため、必ずサドルを使用してください。



重要：資格を持った油圧技術者以外は、ポンプあるいはシステム構成品の点検修理を行わないでください。点検修理についてはお近くの正規エナパックサービスセンターにご連絡ください。保証を受けるためには、必ずエナパックオイルを使用してください。



警告：摩耗したり損傷した部品は、直ちにエナパックの純正部品と交換してください。市販の標準部品は、破損して人身事故や器物破損の原因となる場合があります。エナパック製の部品は、高荷重に適合および耐えるように設計製造されています。



注意：ポンプを運搬する際は、必ずポンプの持ち上げ/輸送ハンドルを使用してください。ホースを持ってポンプを運搬すると、ホース/ポンプが損傷するおそれがあります。

3.1 ポンプの機能と主な部品

ポンプ機能の部位と主な部品については、図1~4を参照してください。部品A~Gの説明については、表2を参照してください。

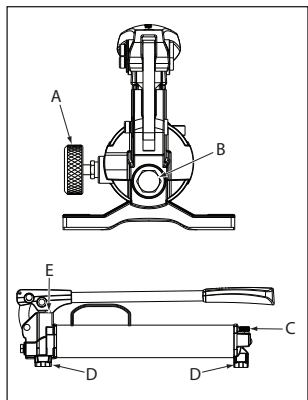


図1：モデル P-18 と P-39

3.0 製品情報

表 1 仕様 - ULTIMA シリーズ ハンドポンプ

ポンプモデル	ポンプタイプ (段数)	吐出圧力		1ストローク吐出量		有効油量	質量	操作力
		MPa		cm ³				
		1段	2段	1段	2段	cm ³	kg	N
P-18	1	-	20	-	2.46	360	5.0	157
P-39	1	-	70	-	2.46	769	6.2	372
P-77	2	3.4	70	16.38	2.46	769	7.1	392
P-80	2	3.4	70	16.38	2.46	2195	10.7	343
P-801	2	3.4	70	16.38	2.46	4095	14.0	343
P-84	2	3.4	70	16.38	2.46	2195	11.7	343

部品 (部位については図1~4参照)	ポンプモデル					
	P-18	P-39	P-77	P-80	P-801	P-84
A	リリースバルブ	リリースバルブ	リリースバルブ	リリースバルブ	リリースバルブ	4方弁
B	3/8" NPTF 油口 x 1	3/8" NPTF 油口 x 1	3/8" NPTF 油口 x 1	3/8" NPTF 油口 x 1	3/8" NPTF 油口 x 1	3/8" NPTF 油口 x 2
C	注油口	注油口	注油口	注油口	注油口	注油口
D	取り付けスロット	取り付けスロット	取り付けスロット	取り付けスロット	取り付けスロット	取り付けスロット
E	リリース弁	リリース弁	リリース弁	リリース弁	リリース弁	リリース弁
F	-	-	-	3/8" NPTF タンク戻りポート	3/8" NPTF タンク戻りポート	-
G	-	-	バイパス弁	バイパス弁	バイパス弁	バイパス弁

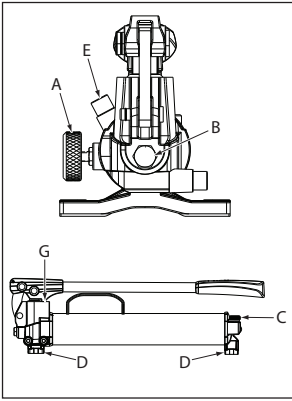


図2: モデル P-77

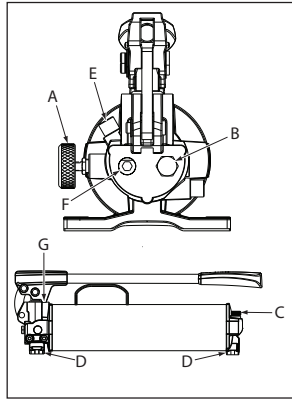


図3: モデル P-80 と P-801

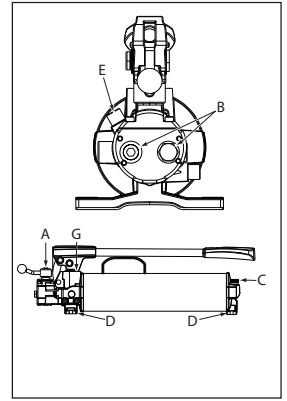


図4: モデル P-84

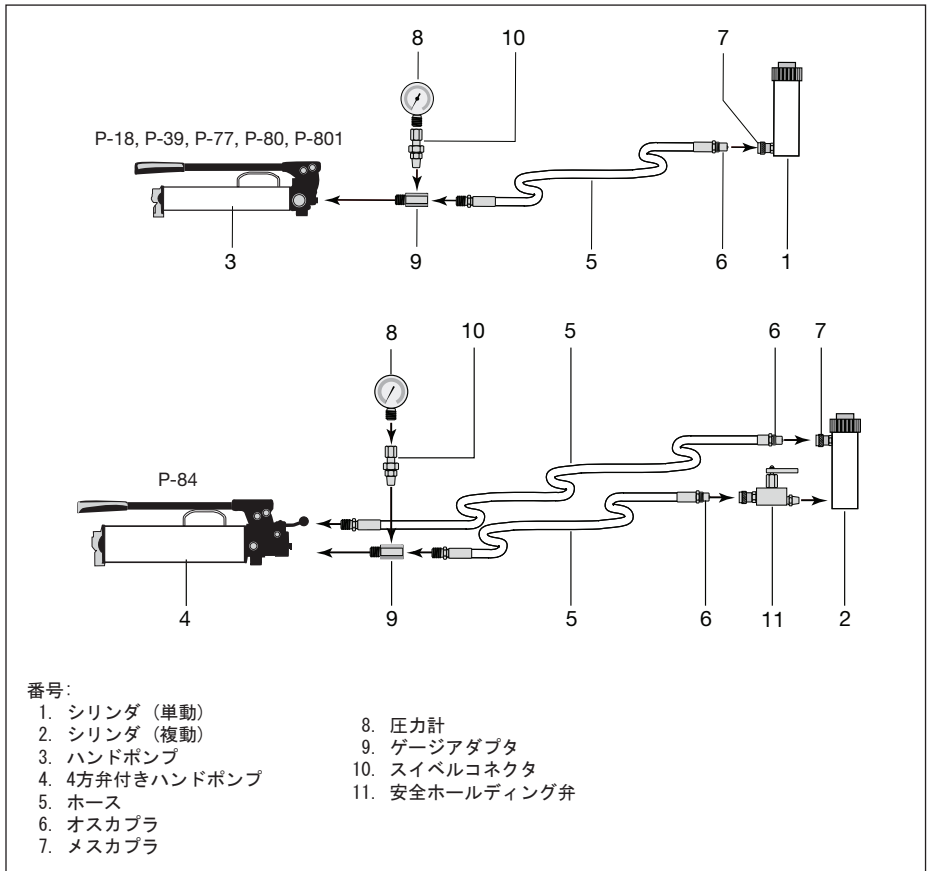


図5: 油圧接続 (一般例)

4.0 取り付け

4.1 ポンプの接続

1. ポンプ油口ポートから出荷用プラグを外します。
2. リリーフ弁を目的の油圧リミットに調整します。7.0節の説明を参照してください。
3. ホースをポンプに接続します。ネジ山のシールには、嫌気性ネジ山シーラー、Teflon®ペーストまたは Teflon®テープを使用します。

重要: Teflon®テープを使用する場合、テープ片が油圧システムに入らないように、テープの片端を継手の端から貼り付けてください。図6を参照してください。

4. 圧力ゲージは、安全性を高め、制御を容易にするために、ポンプと直列に並べて取り付けてください。
5. ホースをご使用のシリンダまたはツールに接続します。
 - ・ 単動シリンダでは、1本のホースをポンプからシリンダに接続します。
 - ・ 複動シリンダでは、2本のホースを接続します。1本のホースをポンプのポート (A) からシリンダの前ポートに接続します。もう1本のホースをポンプのポート (B) からシリンダの後ポートに接続します。モデル P-80 と P-801 のみ: 外部の減圧弁を配管に使用する場合、弁のタンクポートをポンプのタンク戻りポートに接続します。

注: 図5に示されているシリンダ、ホース、付属品は別売りです。ポンプに付属していません。ご利用いただける構成部品と付属品の詳細については、Enerpacカタログをご覧ください。ご使用のシステムに必要な構成部品は、用途やその他の要因に応じて異なります。

4.2 ポンプの空気抜き

ULTIMA シリーズ ハンドポンプは、エアベント操作用に設計されています。注油口プラグを必要に応じてゆるめて、システムから空気を抜くことができますが、ポンプ使用前に完全に再取り付けしてください。

重要: 油圧システムに汚染物が入るのを防ぐために、注油口プラグをゆるめたり外した状態でポンプを操作しないでください。

4.3 ポンプの位置

ポンプは、水平または垂直位置のいずれでも操作できます。図7を参照してください。

垂直位置で操作する場合、ポンプのホース端を下に向けてください。ポンプが空気を吸い込み、圧力が適正に上昇しません。

注: ポンプは逆位置(上下逆)で使用するように設計されていません。

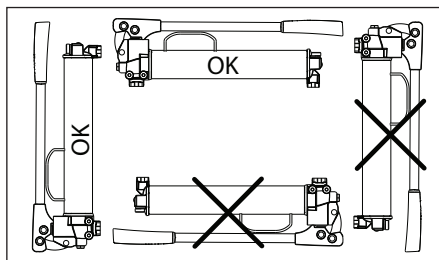


図7: ポンプの向き

5.0 操作

5.1 ポンプを使用する前に

1. すべてのシステム継手と接続がしっかり取り付けられ、漏れがないことを点検してください。
2. リザーバのオイルレベルを点検し、必要に応じてオイルを補充します。9.1節の説明を参照してください。
3. ポンプ操作前に、以下の使用上の注意を読んで理解してください:



警告: 状況によっては、ポンプハンドルが「跳ね返る」おそれがあります。常にポンプの側面で作動し、ハンドルの力線から離れてください。



警告: ポンプハンドル操作中は、ポンプハンドルと持ち上げ/輸送ハンドルの間にはさみこまれたり/指詰めの危険性がある部分から手と指を離してください。



注意: ポンプハンドルを操作する前に、ポンプ油口ポートから出荷用プラグを外し、必ず正規の油圧継手に付け替えてください。出荷用プラグを付けたままポンプハンドルを操作すると、プラグがポートから勢いよく飛び出し、人身事故の原因となります。



注意: ポンプハンドルに延長棒を追加しないでください。延長棒はポンプ操作を不安定にさせる原因となります。



注意: 機械的な損傷を避けるため、ポンプハンドルが最遠端に達したら、それ以上引かないでください。ポンプハンドルには、側面から力をかけないでください。

重要: 高圧でのハンドルの反発を抑えるため、短めにストロークさせてください。最後の5度のストロークで最大限のテコ作用が得られます。

5.2 2段階吐出

モデル P-77、P-80、P-801、P-84

速段スピードポンプは、2段階の吐出になります。無負荷では、ポンプは1段で急速に前進します。負荷がかかると、ポンプは自動的に2段に切り替わって圧力を高めます。ポンプが2段に切り替わると、ポンプ作用に要する力が少なくなります。

注: 最大限の性能を発揮させるために、ポンプハンドルは、高速フロー1段階中、適度な速さで操作してください。1段階でのハンドル操作が速いと、ポンプがオイル全量を送るのが妨げられます。

5.3 ポンプの操作

モデル P-18、P-39、P-77、P-80、P-801

P-84以外のすべてのポンプモデルが単動シリンダで使用するように設計されており、一体型の放出弁が装備されています。

1. リリース弁を閉じるには、ノブを停止するまで時計方向に回します。図8を参照してください。



注意：放出弁は必ず手で締めてください。工具で締めると、放出弁が損傷してポンプの不具合の原因となります。

2. ポンプハンドルを操作して、油圧をシステムに送ります。圧力は、放出弁が開かれるまで維持されます。
3. 放出弁を開くには、ノブを反時計方向に回します。圧力が放出され、オイルの流れがリザーバに戻ります。

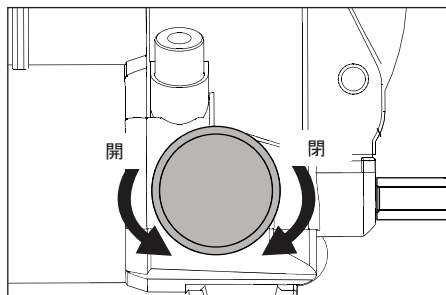


図8：リリース弁（P-84以外の全モデル）



注意：リリース弁のノブが回し難かったり動かない場合、使用中のポンプを直ちに停止してください。ポンプの検査と修理は、Enerpac認定サービスセンターにご依頼ください。

5.4 ポンプの操作 - モデル

モデル P-84 には、4方向3位置制御弁が装備されています。この製品は、複動シリンダと併用するように設計されています。図9と10を参照してください。

1. 4方弁の位置レバーで以下の機能を選択できます：

(A) 作動油をポート「A」に向け； ポート「B」から作動油をリザーバに戻します。

(N) ニュートラル - タンクへのポート「A」と「B」が開きます。

(B) 作動油をポート「B」に向け； ポート「A」からリザーバに作動油に戻します。

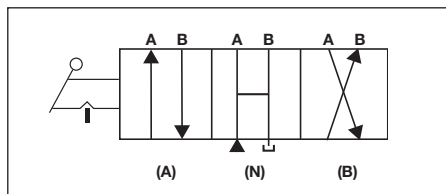


図9：4方弁の接続図（P-84）



警告：弁には、荷物を保持する装置は含まれていません。弁レバーをニュートラル(N)位置に切り替える前に、ブロック、機械的なスタンドまたはその他適切なサポートで、荷物を支持してください。

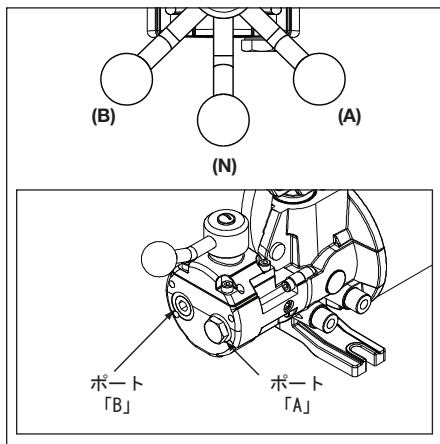


図10：制御弁レバー位置とホース接続（P-84）

2. ポンプを操作して作業を行います。
3. 必要に応じて、弁の位置を変更します。



警告：両方のホースがポンプに接続されている場合、必ず複動シリンダで操作してください。片方のカブラを接続していない場合、カブラの後ろに高圧がかかり、人身事故や器物損傷の原因となります。

6.0 空気抜き

油圧システムから空気を抜くと、シリンダの前進後退が円滑になります。

6.1 単動シリンダ付きポンプ

1. 以下の手順中は、注油ロプラグをゆるめて外し、リザーバの空気抜きを行います。
2. 放出弁を全開します。
3. ポンプをシリンダよりも高い位置で水平方向に置きます。図11を参照してください。
4. シリンダは、ブランジャ端が下になるように置きます（引きシリンダの場合は上）。
5. ポンプを操作して、シリンダを最遠端まで前進させます（引きシリンダを使用している場合は後退）。
6. 放出弁を開いて、シリンダを後退させます（引きシリンダを使用している場合は前進）。これで、閉じ込められ空気がポンプリザーバの上方に強制的に移されます。
7. シリンダの操作が円滑になるまで、必要に応じて手順2~6を繰り返します。
8. 必要に応じて、オイルを補充します。9.1節を参照してください。
9. 注油口プラグを取り付けます。

6.2 複動シリンダ付きポンプ

1. 以下の手順中は、注油口を数回回してゆるめて、リザーバの空気抜きを行います。
2. ポンプをシリンダよりも高い位置で水平方向に置きます。図11を参照してください。
3. シリンダは水平方向にポートを上に向けて置きます。
4. シリンダを2、3回完全に前進および後退させます。
5. シリンダの操作が円滑になるまで、必要に応じて、手順2~4を繰り返します。
6. 必要に応じて、オイルを補充します。9.1節を参照してください。
7. オイル充填プラグを取り付けます。

7.0 リリーフ弁の調整

1. P-84以外の全モデル:0~100MPa目盛付き圧力ゲージをポンプのオイル油口ポートに取り付けます。リリーズ弁を閉じます（ノブが止まるまで完全に時計方向に回し切ります）。
2. モデルP-84のみ:0~100MPa目盛付き圧力ゲージをポンプの「A」ポートに取り付けます。パイププラグをポンプの「B」ポートに取り付けます。制御弁のレバーを（A）位置に動かします。
3. 1/4" アレンレンチを使用して、リリーフ弁調整ネジからダストプラグを外します。
 - ・モデルP-18とP-39では、リリーフ弁がポンプヘッドの上面に配置されています。図12を参照してください。
 - ・モデルP-77、P-80、P-801、P-84では、リリーフ弁がポンプヘッドの側面に配置されています。図13を参照してください。

注:以下の手順中に正確な設定を行うために、圧力は目的の最終設定以下に一度降圧してから、最終設定に達するまでゆっくりと上昇させてください。

4. 7/32" アレンレンチを使用して、リリーフ弁の調整ネジを2回転ほどさせてゆるめます。図14を参照してください。
5. ポンプハンドル操作中は、リリーフ弁調整ネジを、圧力が目的の設定に上昇するまで、時計方向にゆっくり回します。圧力設定は、それ以上のポンプ作用がさらに高い圧力読み取りをもたらさなければ、ゲージに示されます。



警告:リリーフ弁の圧力は、72.5MPa以上に設定しないでください。この上限を超えると、重大な人身事故の原因となります。ポンプや構成部品が破損する原因にもなります。

6. P-84以外の全モデル:目的の設定が得られた後、リリーズ弁を反時計方向に回してシステムの圧力を逃がします。圧力ゲージがゼロを指していることを点検します。
7. モデルP-84のみ:目的の設定が得られた後、弁のハンドルを（N）ニュートラル位置に動かして、システムの圧力を逃がします。圧力ゲージがゼロを指していることを点検します。
8. P-84以外の全モデル:圧力ゲージをポンプのオイル出口ポートから外します。ダストプラグをリリーフ弁調整ネジに取り付け直します。
9. モデルP-84のみ:圧力ゲージをポンプの「A」ポートから外します。パイププラグをポンプの「B」ポートから外します。ダストプラグをリリーフ弁調整ネジに取り付け直します。

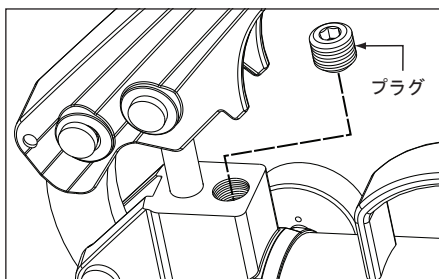


図12: リリーフ弁 (P-18とP-39)

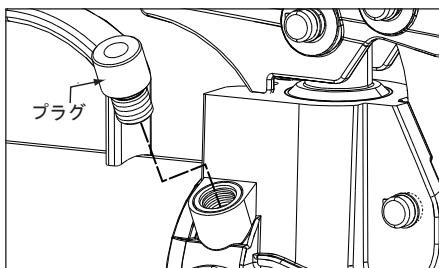


図13: リリーフ弁 (P-77、P-80、P-801、P-84)

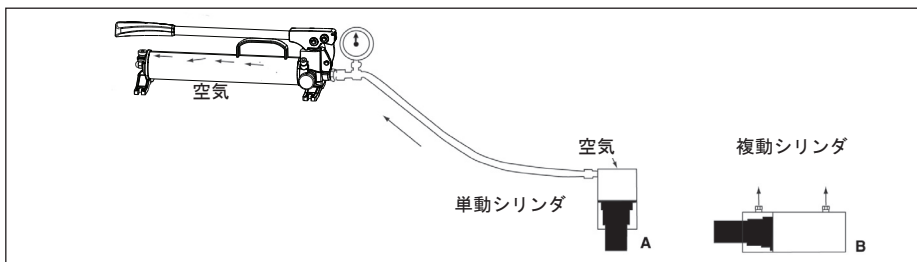


図11: 空気抜き

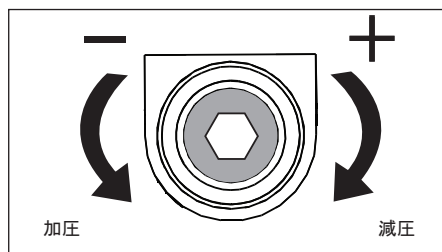


図14: 逃がし弁調整ネジ

8.0 バイパス弁の調整

モデルP-77、P-80、P-801、P-84

バイパス弁は、2速ポンプが高速から1段から2段に切り替わるときに、圧力を制御します。図15を参照してください。

バイパス弁は、工場出荷時に設定されているため、ポンプのオーバーホールまたは修理時以外は、再調整の必要はありません。必要に応じて、Enerpac認定サービスセンターに再調整をご依頼ください。

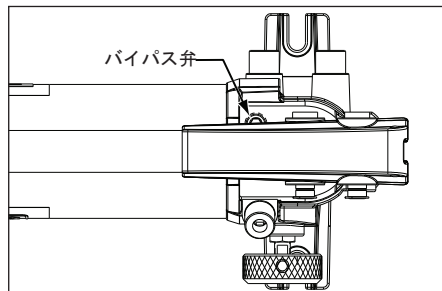


図15: バイパス弁 (P-77、P-80、P-801、P-84)

9.0 メンテナンス

ポンプには、ポンプの寿命を延ばし、製品保証が有効になるように、必ずEnerpac油圧オイルを使用してください。一部のハンドポンプモデルには、Vitonおよびエチレンプロピレンゴムシールキットを使用できます。これらの製品および用途に関する詳細については、Enerpacにお問い合わせください。

9.1 ポンプへのオイル補充



警告: オイル補充時には、シリンダを完全に後退させてください(プルシリンダの場合は後退させてください)。これを怠ると、リザーバ容量を超えるオイルがシステムに注入されます。

オイルレベルは常に点検し、必要に応じてオイルを補充してください。以下の手順を参照してください:

1. ポンプを平らな面に水平方向に置きます。
2. 注油口プラグをリザーバから外します。
3. オイルレベルを点検します。図16を参照してください。オイルレベルが低い場合、オイルが注油口プラグ開口の一番下のネジ山に達するまで補充します。

重要: オイルを入れすぎないでください。リザーバ内にいくらかの空気層がなければ、適正に作動しません。リザーバにオイルを入れすぎると、真空状態になり、ポンプ作動中にオイルの流れが妨げられます。

4. オイル補充後、注油口プラグを取り付け直します。プラグが完全に取り付けられているか(ゆるんでいないか)確認してください。
5. 必要に応じて、システムから空気を抜きます。6.0節を参照してください。空気を抜いた後、オイルレベルを再点検します。

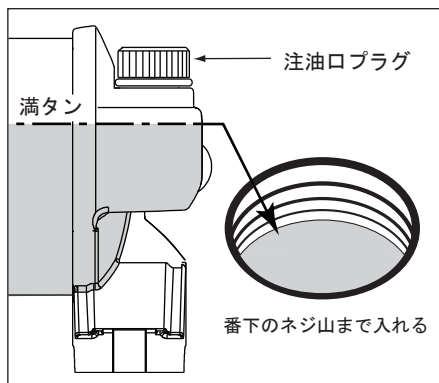


図16: リザーバのオイルレベル



警告: ポンプの注油口プラグには、一体型の圧力逃がしバスのがあり、この安全機能により、リザーバの過剰な加圧が防がれます。ポンプに付属の注油口プラグまたは同一仕様のEnerpac純正交換プラグを必ず使用してください。



警告: リザーバに容量を超えるオイルを戻さないでください。

9.2 オイル交換

12ヶ月毎に1回リザーバからすべてのオイルを抜き取り、Enerpacオイルを交換してください。ポンプが汚れた環境で使用されている場合、オイルをさらに頻繁に交換してください。

1. 注油口プラグをリザーバから外します。
2. ポンプを傾け、使用済みオイルを排出します。
重要: 使用済みオイルの廃棄は、該当するすべての法律および規則に従ってください。
3. 新品のEnerpacオイルをリザーバに注入します。詳細については、9.1節を参照してください。
4. 注油口プラグを取り付けます。

9.3 潤滑

ポンプの寿命を延ばし、性能を向上させるには、3本のポンプハンドルピンをローラーベアリンググリースで定期的に潤滑してください。図17を参照してください。

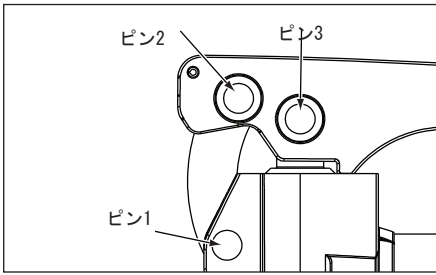


図17: 潤滑箇所

9.4 油圧配管を清潔に保つ

使用していないカブラには、必ずダストキャップを取り付けてください。ポンプおよびその他の構成部品の故障を防ぐために、あらゆる事前手段を使用して、ほこりや異物がシステムに混入しないように保護してください。

10.0 トラブルシューティングガイド

トラブルシューティングチャートガイドの情報(表3参照)は、起こり得る問題点の診断および是正に役立てることを目的としています。

システムの障害は、ポンプの不具合が原因の場合とそうでない場合があります。問題の原因を特定するには、あらゆる診断手順でシステム全体を点検する必要があります。

修理サービスについては、最寄りのEnerpac認定サービスセンターにお問い合わせください。ポンプまたはシステム構成部品の整備は、必ずEnerpac認定サービスセンターにご依頼ください。

表3: トラブルシューティングガイド - ULTIMA シリーズ ハンドポンプ

症状	考えられる原因	解決方法
シリンダが前進しない。あるいは、ゆっくりまたは急激に前進する	<ol style="list-style-type: none"> 1. ポンプリザーバのオイルレベルが低い。 2. リリース弁が開いている、または完全に閉じていない。 3. リリーフ弁の設定が低すぎる。 4. 油圧カブラが適正に接続されていない。 5. 負荷が大きすぎる 6. システムに空気が混入している。 7. リザーバのオイルが多すぎる。 8. シリンダプランジャが拘束されている。 	<ol style="list-style-type: none"> 1. 9.1節の説明に従ってオイルを補充してください。 2. リリース弁を閉じてください。 3. 7.0節の説明に従ってリリーフ弁の圧力を設定してください 4. すべてのカブラが完全に締め付けられているか点検してください。 5. 定格を超える積量を持ち上げないでください。。 6. 6.0節の説明に従って空気を抜いてください。 7. リザーバから余分なオイルを抜いてください。 注意:シリンダが通常に動作している場合に、ポンプの注油口プラグをゆるめると、リザーバのオイルがあふれることがあります。 8. シリンダが損傷していないか点検してください。シリンダの整備は、Enerpac認定サービスセンターにご依頼ください。
シリンダは前進するが、圧力が保たれない。	<ol style="list-style-type: none"> 1. 接続部からの漏れがある 2. シールからの漏れがある。 3. ポンプ内部で漏れがある。 4. バイパス弁の設定が低すぎる。(モデルP-77、P-80、P-80I、P-84) 	<ol style="list-style-type: none"> 1. すべての部品をしっかりと接続して、漏れがないか点検してください。 2. 漏れている箇所を突き止めて、装置の整備をEnerpac認定サービスセンターにご依頼ください。 3. ポンプの整備をEnerpac認定サービスセンターにご依頼ください。 4. バイパス弁設定の調整をEnerpac認定サービスセンターにご依頼ください。
シリンダが後退しない、途中まで後退する、あるいは通常よりもゆっくり後退する	<ol style="list-style-type: none"> 1. リリース弁が閉じている。 2. リザーバのオイルが多すぎる。 3. 油圧カブラが適正に接続されていない。 4. システムに空気が閉じ込められている。 5. ホースの内径が小さすぎる。 6. リンダ後退バネが壊れている、またはその他のシリンダが破損している。 7. 配管内のバルブが閉じられている 	<ol style="list-style-type: none"> 1. リリース弁を開いてください。 2. リザーバから余分なオイルを抜いてください。 注意:シリンダが通常に動作している場合に、ポンプの注油口プラグをゆるめると、リザーバのオイルがあふれることがあります。 3. すべてのカブラが完全に締め付けられているか点検してください 4. 6.0節の説明に従って空気を抜いてください。 5. 大きな口径の油圧ホースを使用してください。 6. シリンダの整備をEnerpac認定サービスセンターにご依頼ください 7. 配管内のバルブ(使用している場合)が正しく設置されているか確認してください。

注意:最寄りのEnerpac認定サービスセンター所在地については、www.enerpac.com をご覧ください。

L3070 Rev. F 03/17

Korjausosaluettelo tälle tuotteelle on saatavilla Enerpacin web-sivulta www.enerpac.com, tai lähimmäiltä valtuutetulta Enerpac-huoltokeskuksesta tai Enerpac-myyntitoimistosta.

1.0 TÄRKEITÄ VASTAANOTTO-OHJEITA

Tarkista silmämääräisesti kaikki osat kuljetusvaurioiden varalta. Takuu ei kata kuljetusvaurioita. Jos kuljetusvaurioita havaitaan, ilmoita niistä kuljetusliikkeelle välittömästi. Kuljetusliike on vastuussa kaikista korjaus- ja korvauskustannuksista, jotka johtuvat kuljetusvaurioista.

TURVALLISUUS ENNEN KAIKKEA

2.0 TURVALLISUUSASIAT



Lue kaikki ohjeet ja varoitukset huolellisesti. Noudata kaikkia varoitoimenpiteitä estääksesi

vammoja tai omaisuuden vaurioitumista käytön aikana. Enerpac ei ole vastuussa vaurioista tai vammoista, jotka johtuvat tuotteen turvattomasta käytöstä, huollon puutteesta tai tuotteen ja/tai järjestelmän väärästä käytöstä. Ota yhteys Enerpaciin kun olet epävarma varoitoimenpiteistä ja käytöstä. Jos et ole koskaan koulutunut korkeapaineisen hydraulijärjestelmän turvallisuuteen, ota yhteyttä maahantuojaan tai palvelukeskukseen, jotta voit ottaa osaa Enerpacin ilmaiseen hydraulijärjestelmän turvakurssiin.

Seuraavien varoitusten noudattamatta jättäminen voi aiheuttaa laitevaurioita ja vammoja.

VAROVAISUUS -tekstiä käytetään ilmaisemaan oikeat käyttö- tai huoltoimenpiteet ja käytännöt vaurioiden estämiseksi, tai laitteen tai muun omaisuuden tuhoutumisen estämiseksi.

VAROITUS -tekstiä käytetään ilmaisemaan mahdollinen vaara, joka vaatii oikeita toimenpiteitä tai käytäntöjä vammojen välttämiseksi.

VAARA -tekstiä käytetään vain kun toiminta tai sen puute voi aiheuttaa vakavan vamman tai jopa kuoleman.



VAROITUS : Käytä henkilökohtaisia suojavarusteita kun käytät hydraulilaitteita.



VAROITUS : Pysy etäällä hydraulikan kannattelemista kuormista. Sylinteriä, jota käytetään kuorman nostolaitteena, ei pitäisi koskaan käyttää kuorman kannattelulaitteena. Kun kuorma on nostettu tai laskettu, se pitää aina tukea mekaanisesti.



VAROITUS : KÄYTÄ VAIN JÄYKKIÄ OSIA KANNATTELEMAAN KUORMIA. huolellisesti teräs- tai metalliesteet, jotka kykenevät kannattelemaan kuormaa. Älä koskaan käytä hydraulisyylinteriä kiilana tai välikappaleena nosto- tai puristussovelluksille.



VAARA : Henkilövammojen välttämiseksi pidä kädet ja jalat etäällä sylinteristä ja työkalusta käytön aikana.



VAROITUS : Älä ylitä laitteistoluokituksia. Älä koskaan yritä nostaa painavampaa kuormaa, kuin mihin sylinterin kapasiteetti kykenee. Ylikuormitus aiheuttaa laitteiston häiriöitä ja saattaa aiheuttaa henkilövahinkoja. Sylinterit on valmistettu kestämään korkeintaan 700 bar:in [10,000 psi] painetta. Älä liitä nosturia tai sylinteriä pumppuun, jossa on korkeampi paineluoitus.



VAROITUS: Älä koskaan säädä varoventtiilin painetta yli 725 bariksi. Tämän enimmäisrajan ylittäminen voi johtaa vakaviin henkilövahinkoihin. Myös pumppu tai osat voivat vaurioitua.



VAROITUS : Järjestelmän käyttöpainetta ei saa ylittää järjestelmän alimmalle luokitellun osan painearvoa. Asenna painemittarit järjestelmään tarkkailemaan käyttöpainetta. Se on ikkuna siihen mitä järjestelmässä tapahtuu.



VARO : Vältä hydrauliletkujen vaurioitamista. Vältä teräviä kulmia ja kiertymiä kun reitität hydrauliletkuja. Vääntyneen tai kiertyneen letkun käyttö voi aiheuttaa vakavan paluupaineen. Terävät kulmat ja kiertymät vaurioittavat sisäisesti letkua, mikä johtaa ennenaikaiseen vikaan letkussa.



Älä pudota painavia esineitä letkun päälle. Terävä kosketus voi aiheuttaa sisäisen vaurion letkun lankasäikeisiin. Paineen johtaminen vaurioituneeseen letkuun voi saada sen repeämään.



TÄRKEÄÄ : Älä nosta hydraulilaitteita letkuista tai kiertokytkimistä. Käytä kantokahvoja tai muita turvallisia kuljetusmuotoja.

**VARO : Pidä hydraulilaitteet etäällä tuesta ja kuumuudesta.**

Liiallinen lämpö pehmentää pakkaukset ja saumat, johtaan nestevuotoihin. Lämpö myös heikentää letkumateriaaleja ja pakkauksia. Optimaalisen toiminnan saavuttamiseksi, älä altista laitteita lämpötiloille, jotka ovat 65 °C [150 °F] tai korkeampia. Suojaa letkut ja sylinterit hitsausroiskeilla.



VAARA : Älä käsittele paineistettuja letkuja. Vapautuva öljy voi paineen alla mennä ihon läpi, aiheuttaen vakavan vamman. Jos öljyä ruiskuu ihon alle, ota välittömästi yhteys lääkäriin.



VAROITUS : Käytä vain hydraulisia sylintereitä liitäntäjärjestelmissä. Älä koskaan käytä sylintereitä kytkemättömien liittimien kanssa. Jos sylinteri tulee erittäin ylikuormitetuksi, niin komponentit voivat hajota katastrofaalisesti, aiheuttaen vakavan henkilövamman.

**VAROITUS : VARMISTA, ETTÄ ASETUS ON TUKEVA ENNEN KUORMAN NOSTAMISTA.**

Sylinterit tulee asettaa tasaiselle pinnalle, joka pystyy kantamaan kuorman. Jos sovellettavissa, käytä sylinterin alustaa vakauden lisäämiseksi. Älä hitsaa tai muuta muutoin sylinteriä jalustan tai muun tuen kiinnittämiseksi.



Vältä tilanteita, joissa kuormia ei ole keskitetty suoraan sylinterin männälle. Keskitämättömät kuormat saavat aikaan huomattavan jännityksen sylintereille ja männille. Lisäksi kuorma voi liukua tai kaatua aiheuttaen potentiaalisesti vaarallisia tuloksia.



Jaa kuorma tasaisesti koko satulapinnalle. Käytä aina satulaa männän suojaamiseksi.



TÄRKEÄÄ : Hydraulilaitteita saa huoltaa vain pätevä hydrauliteknikko. Ota yhteys valtuutettuun ENERPAC-huoltokeskukseen korjauspalveluiden suhteen. Takuun säilyttämiseksi, käytä vain ENERPAC-öljyä.



VAROITUS : Vaihda välittömästi kuluneet tai vaurioituneet osat aidoilla ENERPAC-osilla. Standardilaitteet ovat hajavoivat, aiheuttaen henkilövammoja ja omaisuuden tuhoutumista. ENERPAC-osat ovat suunniteltu sopimaan kunnolla ja kestämaan raskaita kuormia.



HUOMIO: Kanna pumpua aina pumpun nosto-/kuljetuskahvasta. Letkusta kantaminen saattaa vahingoittaa letkua ja/tai pumpua.

3.0 TUOTETIEDOT**Taulukko 1, erittelyt - ULTIMA-sarjan käsipumput**

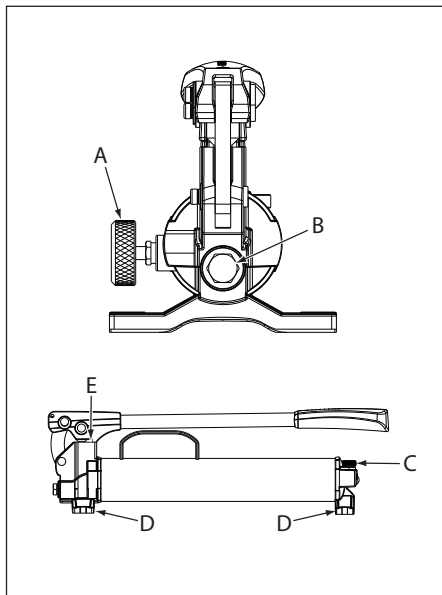
Tyyppi	Pump-putyyppi (nopeus)	Painetaso		Öljyn tuotto / isku		Käyttö-öljytilavuus	Paino öljyn kanssa	Max pumppausvoima
		bar [psi]		cm ³ [in ³]				
		Vaihe 1	Vaihe 2	Vaihe 1	Vaihe 2	cm ³ [in ³]	kg [lbs]	kg [lbs]
P-18	1	—	200 [2 850]	—	2,46 [0,15]	360 [22]	5,0 [11,0]	16 [36]
P-39	1	—	700 [10 000]	—	2,46 [0,15]	769 [47]	6,2 [13,6]	38 [85]
P-77	2	34 [500]	700 [10 000]	16,38 [1,00]	2,46 [0,15]	769 [47]	7,1 [15,6]	40 [88]
P-80	2	34 [500]	700 [10 000]	16,38 [1,00]	2,46 [0,15]	2195 [134]	10,7 [23,6]	35 [77]
P-801	2	34 [500]	700 [10 000]	16,38 [1,00]	2,46 [0,15]	4095 [250]	14,0 [31,0]	35 [77]
P-84	2	34 [500]	700 [10 000]	16,38 [1,00]	2,46 [0,15]	2195 [134]	11,7 [26,0]	35 [77]

Taulukko 2, ominaisuudet ja pääosat - ULTIMA-sarjan käsipumput

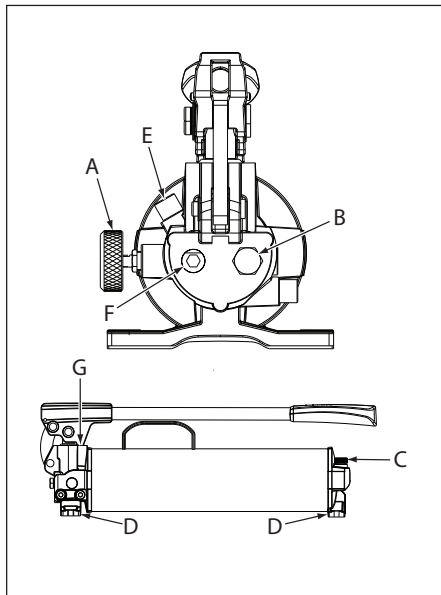
Osa (katso osien sijainti kuvista 1-4)	Pumppumalli					
	P-18	P-39	P-77	P-80	P-801	P-84
A	Sulkuventtiili	Sulkuventtiili	Sulkuventtiili	Sulkuventtiili	Sulkuventtiili	4-tieventtiili, 3-asentoinen säätöventtiili
B	Yksi 0,95 mm:n NPTF-öljynlähtö-liitäntä	Yksi 0,95 mm:n NPTF-öljynlähtö-liitäntä	Yksi 0,95 mm:n NPTF-öljynlähtö-liitäntä	Yksi 0,95 mm:n NPTF-öljynlähtö-liitäntä	Yksi 0,95 mm:n NPTF-öljynlähtö-liitäntä	Yksi 0,95 mm:n NPTF-öljynlähtö-liitäntä
C	Öljysäiliöntulppa	Öljysäiliöntulppa	Öljysäiliöntulppa	Öljysäiliöntulppa	Öljysäiliöntulppa	Öljysäiliöntulppa
D	Asennusaukot	Asennusaukot	Asennusaukot	Asennusaukot	Asennusaukot	Asennusaukot
E	Käyttäjän säädettävissä oleva varoventtiili	Käyttäjän säädettävissä oleva varoventtiili	Käyttäjän säädettävissä oleva varoventtiili	Käyttäjän säädettävissä oleva varoventtiili	Käyttäjän säädettävissä oleva varoventtiili	Käyttäjän säädettävissä oleva varoventtiili
F	—	—	—	0,95 mm:n NPTF-säiliöön paluuliitäntä-aukko	0,95 mm:n NPTF-säiliöön paluuliitäntä-aukko	—
G	—	—	Ohitusventtiili	Ohitusventtiili	Ohitusventtiili	Ohitusventtiili

3.1 Pumpun ominaisuudet ja pääosat

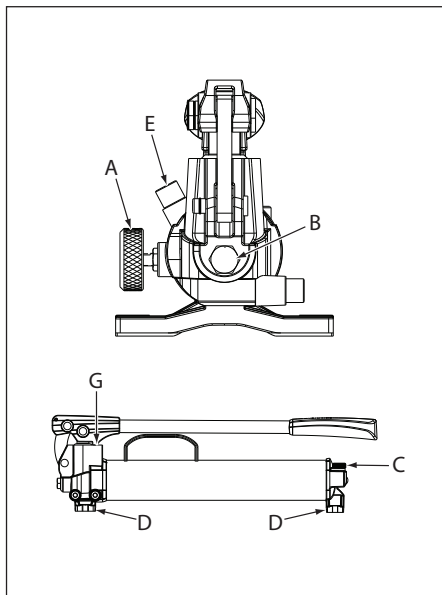
Katso pumpun ominaisuuksien ja pääosien sijainnit kuvista 1-4. Taulukosta 2 löydät osien A-G kuvaukset.



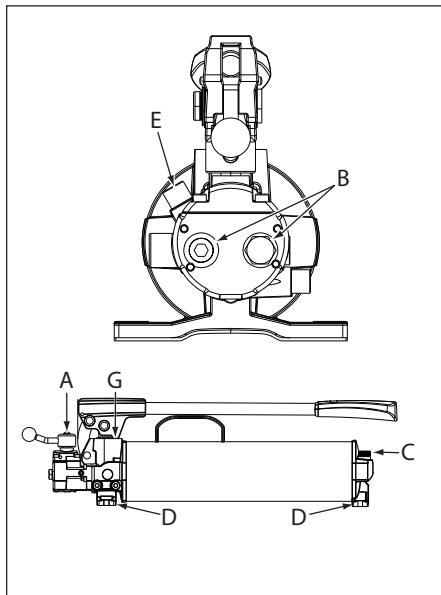
Kuva 1, mallit P-18 ja P-39



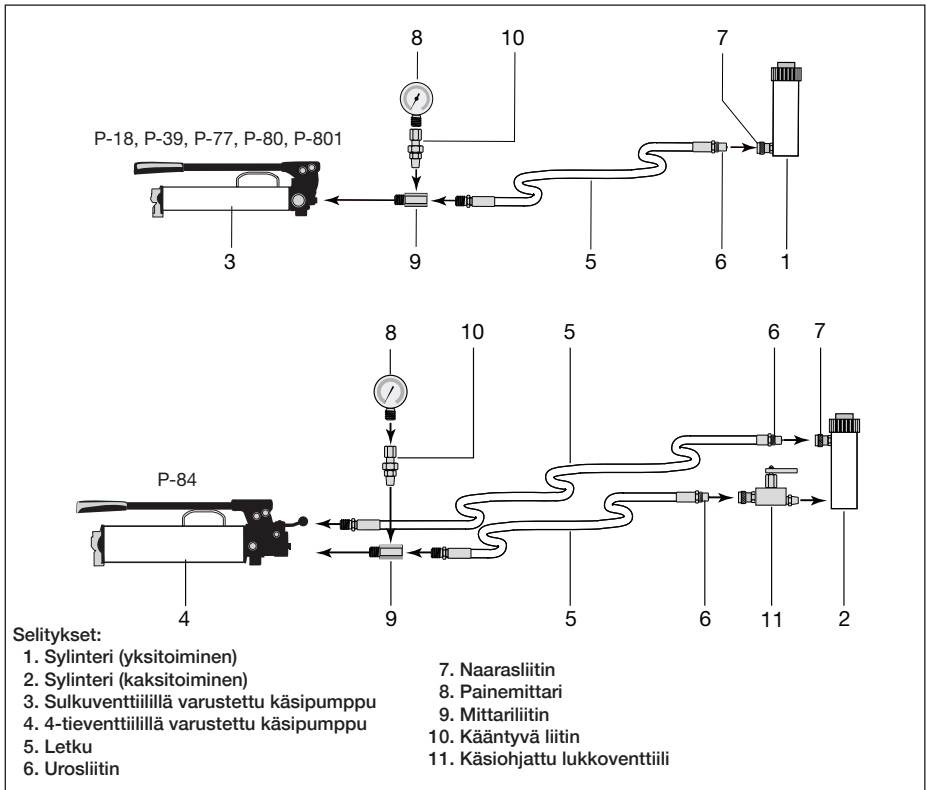
Kuva 3, mallit P-80 ja P-801



Kuva 2, malli P-77



Kuva 4, malli P-84

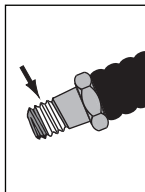


Kuva 5, hydrauliliitännät (tyypillinen)

4.0 ASENNUS

4.1 Pumpun liitäntä

1. Poista kuljetustulpat pumpun poistoliitäntäaukoista.
2. Säädä varoventtiili haluttuun hydraulipainerajaan. Katso ohjeet kappaleesta 7.0.
3. Liitä letku(t) pumppuun. Tiivistä kiertet teivillä anaerobisella kiertet teivillä, Teflon®-liimalla tai Teflon®-teipillä.



Kuva 6

TÄRKEÄÄ: Käyttäessäsi Teflon®-teippiä laita teippiä toiseksi viimeiseen kiertet teeseen liittimen lopusta, jottei teipin kappaleita pääse hydraulijärjestelmään. Katso kuva 6.

4. Asenna painemittari linjaan pumpun kanssa lisäturvallisuuden ja helpomman käytön vuoksi.
5. Liitä letku(t) sylinteriin tai työkaluun.
 - Kun kyseessä on yksitoimiset sylinterit, liitä yksi letku pumpusta sylinteriin.
 - Kaksitoimisten sylinterien kohdalla liitä kaksi letkua. Liitä yksi letku pumpun aukosta (A) sylinterin meno puoleen. Liitä toinen letku pumpun aukosta (B) sylinterin paluu puoleen.

Vain mallit P-80 ja P-801: Jos piirissä käytetään ulkoista paineenalennusventtiiliä, liitä säiliön venttiiliin liitäntäaukko pumpun säiliön paluu puoleen.

Huomaa: Kuvassa 5 näkyvät sylinterit, letkut ja lisävarusteet myydään erikseen eivätkä tule pumpun mukana. Katso Enerpacin luettelosta täydellinen kuvaus saatavilla olevista osista ja lisävarusteista. Järjestelmässäsi vaadittavat tarkat osat voivat vaihdella käyttötarkoituksesta ja muista tekijöistä riippuen.

4.2 Pumpun ilmanpoisto

ULTIMA-sarjan pumput on suunniteltu huohottamattomaan käyttöön. Öljysäiliön tulppa voidaan tarvittaessa irrottaa järjestelmän ilmaamiseksi, mutta se tulee asettaa paikalleen ennen pumpun käyttämistä.

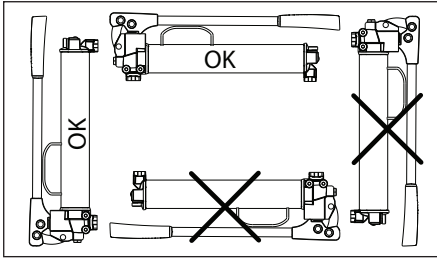
TÄRKEÄÄ: Älä käytä pumpppua, jos sen öljysäiliön tulppa on irrotettu tai poistettu, jottei hydraulijärjestelmään pääse ilkaa.

4.3 Pumpun asento

Pumpppua voidaan käyttää joko vaaka- tai pystyasennossa. Katso kuva 7.

Kun pumpppua käytetään pystyasennossa, pumpun letkun pään pitää osoittaa alaspäin, sillä muutoin pumpppu saa ilmaa eikä muodosta kunnolla painetta.

Huomaa: Pumpppua ei ole suunniteltu käytettäväksi käännetyssä (ylösalaisin) asennossa.



Kuva 7, pumpun suuntaus

5.0 KÄYTTÖ

5.1 Ennen käytön aloittamista

1. Tarkista kaikki järjestelmän liittimet ja liitännät ja varmista, että ne ovat kireällä eivätkä vuoda.
2. Tarkista säiliössä oleva öljyn määrä ja lisää öljyä tarvittaessa. Katso ohjeista kappaleesta 9.1.
3. On tärkeää, että luet ja ymmärrät seuraavat varotoimet ennen pumpun käyttöönottamista:



VAROITUS: Tietyissä tilanteissa pumpun kahva voi ponnahtaa takaisin. Seiso aina pumpun vieressä etäällä kahvan liikeradasta.



VAROITUS: Käyttäessäsi pumpppua pidä kädet ja sormet kaukana kahvan ja nosto-/kuljetuskahvan väliseltä alueelta.



HUOMIO: Poista kuljetustulpat pumpun ulostuloaukoista ja asenna asianmukaiset hydrauliliittimet ennen pumpun käyttöä. Jos kahvaa käytetään kuljetustulpat asennettuina, tulpat voivat singota ulos aukoista suurella voimalla ja aiheuttaa mahdollisesti henkilövahinkoja.



HUOMIO: Älä koskaan lisää jatkokappaleita pumpun kahvaan. Ne tekevät pumpun toiminnasta epävakaan.



HUOMIO: Mekaanisen vaurion estämiseksi pumpun kahvaa ei saa vetää, kun se on saavuttanut liikkeensä lopun. Älä kohdista sivuvoimaa pumpun kahvaan

TÄRKEÄÄ: Vähennä kahvan voimaa korkeassa paineessa tekemällä lyhyitä iskuja. Maksimi vipuvoima saavutetaan iskun viimeisessä 5 vaiheessa.

5.2 Kaksivaiheinen virtaus

Mallit P-77, P-80, P-801 ja P-84

Kaksinopeuksiset pumput tuottavat kaksivaiheista virtausta. Kuormittamattomana pumppu toimii nopeaa syöttöä varten. Kun kuorma saavutetaan, pumppu vaihtaa automaattisesti toiselle vaiheelle muodostaakseen painetta. Tämän jälkeen pumppaus vaatii vähemmän voimaa.

Huomaa: Pumppu toimii parhaiten, kun pumppaat kohtuullisella nopeudella ennen kuorman

saavuttamista. Nopea pumppaus ensimmäisessä vaiheessa estää pumppua syöttämästä täyttä öljyn määrää.

5.3 Pumpun käyttö

Mallit P-18, P-39, P-77, P-80 ja P-801

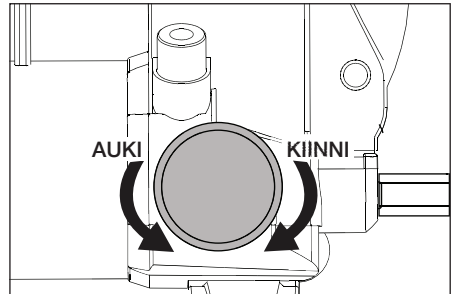
Kaikki pumppumallit paitsi P-84 on suunniteltu käytettäväksi yksitoimisilla sylintereillä, ja ne on varustettu sisäänrakennetulla poistoventtiilillä.

1. Sulje poistoventtiili kääntämällä nuppia myötäpäivään, kunnes se pysähtyy. Katso kuva 8.



HUOMIO: Sulje poistoventtiili AINOASTAAN sormikireydelle. Työkalujen käyttäminen voi vahingoittaa poistoventtiiliä ja aiheuttaa pumpulle toimintahäiriötä.

2. Tuota järjestelmään hydraulivoimaa pumpun kahvaa käyttäen. Paine säilyy niin kauan kunnes poistoventtiili avataan.
3. Avaa poistoventtiili kääntämällä nuppia vastapäivään. Paine vapautuu ja öljy virtaa takaisin säiliöön.



Kuva 8, poistoventtiili (kaikki paitsi P-84)



HUOMIO: Jos poistoventtiilin nuppia on vaikea kääntää tai se jumittuu, keskeytä pumpun käyttö välittömästi. Anna Enerpacin valtuuttaman huoltokeskuksen tarkastaa ja korjata pumppu.

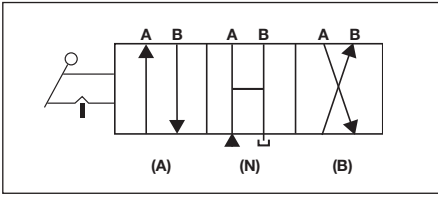
5.4 Pumpun käyttö - malli P-84

Malli P-84 on varustettu 3-asentoisella 4-tieventtiilillä. Se on suunniteltu käytettäväksi kaksitoimisilla sylintereillä. Katso kuvat 9 ja 10.

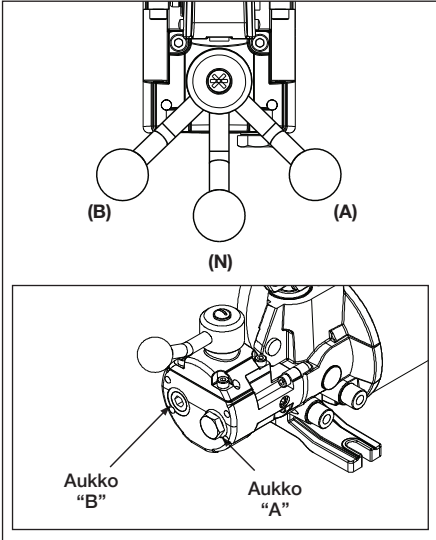
1. Aseta 4-tieventtiilin vipu valitaksesi toiminnon:
(A) Virtaus suunnattu aukkoon "A"; aukko "B" palauttaa virtauksen säiliöön
(N) Neutraali - portit A ja B auki säiliöön.
(B) Virtaus suunnattu aukkoon "B"; aukko "A" palauttaa virtauksen säiliöön



VAROITUS: Venttiilissä ei ole kuorman putoamisen estävää laitetta. Varmista, että kuorma on lukituksen, mekaanisten tai muiden sopivien tukien varassa ennen venttiilivivun siirtämistä neutraaliin N-asentoon.



Kuva 9, 4-tieventtiilin kaavio (P-84)



Kuva 10, suuntaventtiilin vivun asennot ja letkun liittimet (P-84)

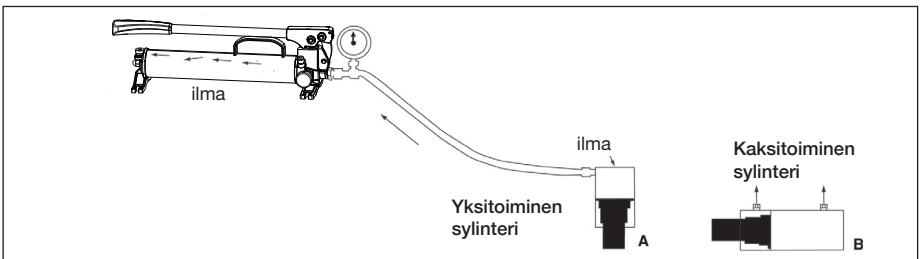
2. Käytä pumpppua työtehtävän suorittamiseksi.
3. Vaihda venttiilin asentoja tarvittaessa.



VAROITUS: Käytä kaksitoimista sylinteriä vain, kun molemmat letkut on liitetty pumpppuun. Jos yhtä liittintä ei ole liitetty, liittimen taakse muodostuu korkea painetta, mikä saattaa johtaa henkilövahinkoihin ja/tai laitevaurioihin.

6.0 ILMANPOISTO

Ilmanpoisto hydraulijärjestelmästä auttaa sylinteriä liikkumaan eteenpäin ja vetäytymään takaisin tasaisesti.



Kuva 11, Ilmanpoisto

6.1 Pumppu yksitoimisella sylinterillä

1. Avaa ja poista öljysäiliön tulppa, jotta säiliöstä poistuu ilma seuraavien vaiheiden aikana.
2. Sulje poistoventtiili täysin.
3. Aseta pumppu vaaka-asentoon sylinteriä korkeammalle. Katso kuva 11.
4. Sijoita sylinteri männänpäätä alaspäin (ylöspäin, jos käytät vetosylinteriä).
5. Käytä pumpppua, jotta sylinteri laajenee kokonaan (vedä takaisin, jos käytät vetosylinteriä).
6. Avaa poistoventtiili, jotta sylinteri pääsee vetäytymään takaisin (laajenna, jos käytät vetosylinteriä). Tämä pakottaa loukkuun jääneen ilman liikkumaan pumpun säiliöön.
7. Toista tarvittaessa vaiheet 2 - 6, kunnes sylinteri toimii tasaisesti.
8. Lisää öljyä tarvittaessa. Katso kohdasta 9.1.
9. Asenna öljysäiliön tulppa paikoilleen.

6.2 Pumppu kaksitoimisella sylinterillä

1. Avaa öljysäiliön tulpaa useita kierroksia, jotta säiliöstä poistuu ilma seuraavien vaiheiden aikana.
2. Aseta pumppu vaaka-asentoon sylinteriä korkeammalle. Katso kuva 11.
3. Aseta sylinteri vaaka-asentoon aukot ylöspäin.
4. Liikuta sylinteriä eteen- ja taaksepäin 2-3 kertaa.
5. Toista tarvittaessa vaiheet 2 - 4, kunnes sylinteri toimii tasaisesti.
6. Lisää öljyä tarvittaessa. Katso kohdasta 9.1.
7. Asenna öljysäiliön tulppa paikoilleen.

7.0 VAROVENTTIILIN SÄÄTÖ

1. **Kaikki mallit paitsi P-84:** Asenna 0-1000 barin painemittari pumpun öljyn ulostuloaukkoon. Sulje poistoventtiili (käännä nuppia myötäpäivään, kunnes se pysähtyy).
2. **Vain malli P-84:** Asenna 0-1000 barin painemittari pumpun "A"-liitäntäaukkoon. Asenna putkitulppa pumpun "B"-liitäntäaukkoon. Siirrä tarkistusventtiilin vipu (A)-asentoon.
3. Irrota varoventtiilin säätöruuvien yläpuolella oleva pölytulppa 1/4" kuusiokoloavaimella.
 - Malleissa P-18 ja P-39 varoventtiili sijaitsee pumpunpään yläpinnalla. Katso kuva 12.
 - Malleissa P-77, P-80, P-801 ja P-84 varoventtiili sijaitsee pumpunpään sivulla. Katso kuva 13.

Huomaa: Saadaksesi oikean säädön seuraavien vaiheiden aikana vähennä painetta kohtaan, joka

on lopullisen asetuksen *alapuolella*, ja lisää sitten painetta vähitellen, kunnes se saavuttaa lopullisen asetuksen.

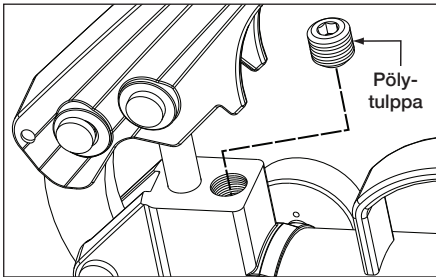
4. Löysää varoventtiilin säätöruuvia noin kaksi kierrosta 7/32" kuusiokoloavaimella. Katso kuva 14.
5. Käytä pumpun kahvaa ja kierrä varoventtiilin säätöruuvia hitaasti myötäpäivään, kunnes paine nousee haluttuun asetukseen. Paineasetus ilmoitetaan, kun lisäpumppaus ei johda korkeampaan painelukemaan mittarissa.



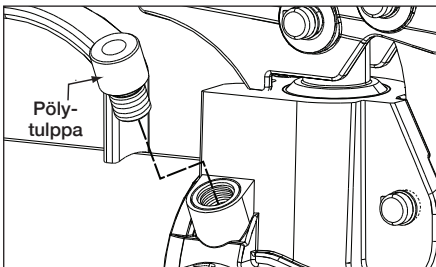
VAROITUS: Älä koskaan säädä varoventtiilin painetta yli 725 bariksi.

Tämän enimmäisrajan ylittäminen voi johtaa vakaviin henkilövahinkoihin. Myös pumppu tai osat voivat vaurioitua.

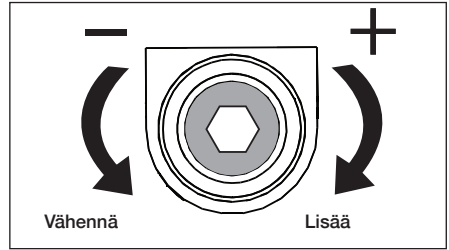
6. **Kaikki mallit paitsi P-84:** Kun haluttu asetus on saavutettu, kierrä poistoventtiiliä vastapäivään vapauttaaksesi järjestelmäpaineen. Tarkista, että painemittari näyttää nolla (0) bar.
7. **Vain malli P-84: Kun haluttu asetus on saavutettu, siirrä venttiilin kahva (N) neutraaliin asentoon vapauttaaksesi järjestelmäpaineen.** Tarkista, että painemittari näyttää nolla (0) bar.
8. **Kaikki mallit paitsi P-84: Poista painemittari pumpun öljyn ulostuloaukosta.** Asenna pölytulppa takaisin varoventtiilin säätöruuvin yläpuolelle.
9. **Vain malli P-84: Poista painemittari pumpun "A"-liitäntäaukosta.** Poista putkitulppa pumpun "B"-liitäntäaukosta. Asenna pölytulppa takaisin varoventtiilin säätöruuvin yläpuolelle.



Kuva 12, varoventtiili (P-18 ja P-39)



Kuva 13, varoventtiili (P-77, P-80, P-801 ja P-84)

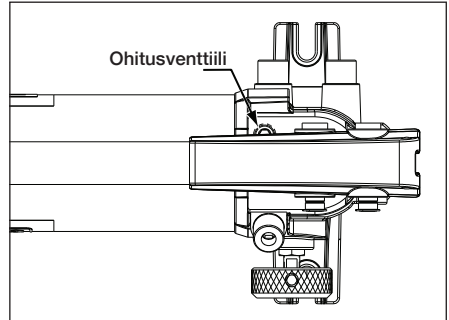


Kuva 14, varoventtiilin säätöruuvi

8.0 OHITUSVENTTIILIN SÄÄTÖ MALLIT P-77, P-80, P-801 JA P-84

Ohitusventtiili säätää painetta, jossa kaksinopeuksinen pumppu vaihtaa ensimmäisestä toiseen vaiheeseen. Katso kuva 15.

Ohitusventtiili on säädetty tehtaalla eikä sitä tarvitse säätää uudestaan paitsi pumpun huollon tai korjauksen yhteydessä. Jos säätö on tarpeellinen, sen saa suorittaa vain Enerpacin valtuuttama huoltokeskus.



Kuva 15, ohitusventtiili
(P-77, P-80, P-801 ja P-84)

9.0 HUOLTO

Käytä pumpun kanssa vain Enerpac-hydrauliöljyjä, sillä vain sitä käyttämällä varmistat pumpun pitkän käyttöiän ja takuun voimassaolon. Viton- ja etyleeni-propyleenikumitiivistepakkauksia on saatavana joihinkin pumppumalleihin. Ota yhteys Enerpac-edustajaan tuotteita ja niiden käyttöä koskevien lisätietojen saamiseksi.

9.1 Öljyn lisääminen pumppuun



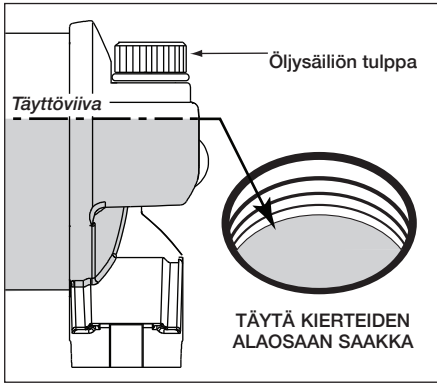
VAROITUS: Lisää öljyä vain, kun sylinterit ovat täysin taakse vedettyinä (laajennettu, jos käytetään vetosylintereitä), sillä muutoin järjestelmässä on enemmän öljyä kuin säiliöön mahtuu.

Tarkasta öljyn pinnantaso säännöllisesti ja lisää öljyä tarvittaessa. Tee seuraavat toimet:

1. Aseta pumppu vaak-asentoon tasaiselle pinnalle.
2. Irrota öljysäiliön tulppa.
3. Tarkista öljyn pinnan taso. Katso kuva 16. Jos öljytaso on alhainen, lisää öljyä, kunnes pinta on täyttötulpan aukon kierteiden alaosan tasolla.

TÄRKEÄÄ: Älä täytä liikaa! Säiliöön on jätettävä ilmaa, jotta laite toimii moitteetta. Jos säiliössä on liikaa öljyä, pumppua käytettäessä muodostuu öljyn virtauksen estävä tyhjiö.

- Asenna öljyntäyttötulppa takaisin öljyn lisäämisen jälkeen. Varmista, että tulppa on hyvin kiinni (ei löysällä).
- Asenna öljysäiliön tulppa takaisin öljyn lisäämisen jälkeen. Varmista, että tulppa on hyvin kiinni (ei löysällä).



Kuva 16, säiliön öljytaso



VAROITUS: Pumpun öljysäiliön tulpassa on sisäänrakennettu paineenalennuskanava, turvaominaisuus, joka estää säiliön ylipaineistuksen. Käytä vain pumpun mukana tullutta öljysäiliön tulpaa tai alkuperäistä samat ominaisuudet omaavaa Enerpac-vaihtotulpaa.



VAROITUS: Älä koskaan yritä palauttaa enemmän öljyä kuin mitä säiliöön mahtuu.

9.2 Öljynvaihto

Tyhjennä kaikki öljy säiliöstä ja täytä puhtaalla Enerpac-öljyllä 12 kuukauden välein. Jos pumppua käytetään likaisissa tiloissa, vaihda öljy useammin.

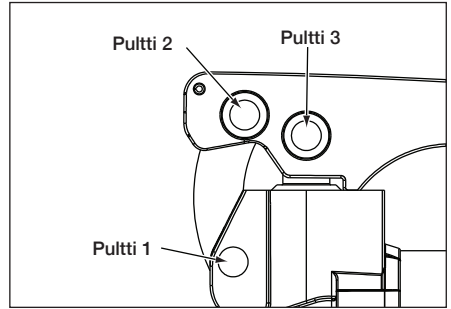
- Irrota öljysäiliön tulppa.
- Kallista pumppu ja valuta vanha öljy.

TÄRKEÄÄ: Hävitä käytetty öljy sovellettavien lakien ja määräysten mukaisesti.

- Täytä säiliö uudella Enerpac-öljyllä. Katso lisätietoja kohdasta 9.1.
- Asenna öljysäiliön tulppa paikoilleen.

9.3 Voitele

Voitele kolme kahvan pulttia säännöllisesti rullalaakerirasvalla. Tämä pidentää pumpun käyttöikää ja parantaa suorituskykyä. Katso kuva 17.



Kuva 17, voitelukohtat

9.4 Öljyletkujen sekä liittimien pitäminen puhtaina

Asenna aina pölysuojukset irrottaessasi liittimen puolikkaita. Estä pumpun ja muiden osien rikkoutuminen suojaamalla järjestelmä liialta ja muilta vierailta esineiltä.

10.0 VIANMÄÄRITYSOPAS

Vianmääritysoppaassa (taulukko 3) olevat tiedot on tarkoitettu vain apumateriaaliksi määrittäessä ja korjattaessa mahdollisesti tapahtuvia ongelmia.

Järjestelmävirhe voi olla (muttei aina ole) seurausta pumpun toimintahäiriöstä. Ongelman selvittämiseksi koko järjestelmä täytyy diagnosoida.

Ota yhteys paikalliseen Enerpacin valtuuttamaan huoltokeskukseen korjaushuoltoa varten. Vain Enerpacin valtuuttama huoltokeskus saa huoltaa pumpun tai järjestelmän osia.

Taulukko 3, vianmääritysopas - ULTIMA sarjan käsipumput

Ongelma	Mahdollinen syy	Ratkaisu
<p>Sylinteri ei liiku eteenpäin, liikkuu hitaasti tai liikkuu epätasaisesti</p>	<ol style="list-style-type: none"> 1. Alhainen öljytaso pumpun säiliössä 2. Poistoventtiili auki tai ei täysin kiinni 3. Varoventtiili asetettu liian alhaiseksi 4. Hydrauliliitin ei liitetty kunnolla 5. Kuorma on liian raskas 6. Järjestelmään on jäänyt ilmaa loukkuun 7. Säiliö on täytetty liian täyteen 8. Sylinterin mäntä juuttunut kiinni 	<ol style="list-style-type: none"> 1. Lisää öljyä kohdan 9.1 ohjeiden mukaisesti. 2. Sulje poistoventtiili 3. Aseta varoventtiili kohdan 7.0 ohjeiden mukaisesti. 4. Tarkista, että kaikki liittimet ovat täysin kireällä 5. Älä nosta kuormaa, joka ylittää nimelliskuormituksen 6. Poista ilma kohdan 6.0 ohjeiden mukaisesti 7. Poista liika öljy säiliöstä <p>Huomaa: Jos sylinteri toimii normaalisti pumpun öljysäiliön tulpan ollessa irti, säiliössä on ehkä liikaa öljyä.</p> <ol style="list-style-type: none"> 8. Tarkista sylinteri vaurioiden varalta. Anna Enerpacin valtuuttaman huoltokeskuksen huoltaa sylinteri.
<p>Sylinteri liikkuu eteenpäin, mutta säilytä painetta</p>	<ol style="list-style-type: none"> 1. Vuotava liitos 2. Vuotavat tiivisteet 3. Pumpun sisäinen vuoto 4. Ohitusventtiili asetettu liian alhaiseksi (mallit P-77, P-80, P-801 ja P-84) 	<ol style="list-style-type: none"> 1. Tarkasta, että kaikki liitännät ovat kireitä eivätkä vuoda 2. Etsi vuodot ja anna Enerpacin valtuuttaman huoltokeskuksen korjata laite. 3. Anna Enerpacin valtuuttaman huoltokeskuksen huoltaa pumppu. 4. Anna Enerpacin valtuuttaman huoltokeskuksen säätää ohitusventtiilin asetuksen.
<p>Sylinteri ei vetäydy takaisin, vetäytyy osittain tai vetäytyy normaalia hitaammin</p>	<ol style="list-style-type: none"> 1. Poistoventtiili kiinni 2. Säiliö on täytetty liian täyteen 3. Hydrauliliitin ei liitetty kunnolla 4. Järjestelmään on jäänyt ilmaa loukkuun 5. Letkun sisähalkaisija liian pieni 6. Sylinterin palautusjousi rikki tai muu sylinterivaurio 7. Linjaventtiili kiinni 	<ol style="list-style-type: none"> 1. Tarkista, että kaikki liittimet ovat täysin kireällä 2. Poista liika öljy säiliöstä <p>Huomaa: Jos sylinteri toimii normaalisti pumpun öljysäiliön tulpan ollessa irti, säiliössä on ehkä liikaa öljyä.</p> <ol style="list-style-type: none"> 3. Tarkista, että kaikki liittimet ovat täysin kireällä 4. Poista ilma kohdan 6.0 ohjeiden mukaisesti 5. Käytä halkaisijaltaan suurempaa hydraulilietkua 6. Anna Enerpacin valtuuttaman huoltokeskuksen huoltaa sylinteri. 7. Varmista, että linjaventtiilit (jos käytössä) on asetettu asianmukaisesti.

Huomaa: Saat selville lähimmän Enerpacin valtuuttaman huoltokeskuksen osoitteessa www.enerpac.com.

L3070 Rev. F 03/17

Oversikt over reparasjonsdeler for dette produktet er tilgjengelig fra hjemmesiden til Enerpac på www.enerpac.com, eller fra ditt nærmeste autoriserte Enerpac Service Senter eller Enerpac Salgskontor.

1.0 VIKTIG VED MOTTAK AV PRODUKTET

Føret en visuell inspeksjon av alle komponenter for å forvise deg om at ikke noe er skadd under transporten. Transportskader er ikke dekket av produktgarantien. Dersom du finner transportskader må du øyeblikkelig kontakte transportøren. Transportøren er ansvarlig for alle utgifter til reparasjon og nye deler som oppstår som en følge av transportskade.

SIKKERHET I HØYSETET

2.0 SIKKERHETSFRSKRIFTER



Les alle instruksjer og advarsler nøye. Følg alle råd om sikkerhet for å unngå skade på person eller eiendom ved drift av systemet. Enerpac kan ikke påta seg ansvar for skade på person eller materiell som følger av usikker bruk av produktet, mangel på vedlikehold eller uriktig bruk av produkt eller system. Kontakt Enerpac dersom du er i tvil om sikker bruk av produktet. Dersom du aldri har fått opplæring i hydraulisk høytrykksikkerhet, bør du kontakte ditt distribusjons- eller servicesenter for et kostnadsfritt Enerpac Hydraulikk Sikkerhetskurs.

Det er viktig å rette seg etter følgende forskrifter og advarsler for å unngå skade på personer og utstyr.

FORSIKTIG brukes for å indikere korrekte prosedyrer for drift eller vedlikehold for å unngå skader på-, eller ødeleggelse av utstyret eller annen eiendom.

ADVARSEL indikerer en potensiell fare som krever korrekte prosedyrer eller bruksmåter for å unngå personskade.

FARE brukes kun når din handling eller mangel på handling kan forårsake alvorlig skade eller død.



ADVARSEL: Bruk riktig personlig verneutstyr når du bruker hydraulisk utstyr.



ADVARSEL: Hold deg klar av laster som støttes av hydraulikk. En sylinder, når den brukes til å løfte laster, bør aldri benyttes som lasteholder. Etter at lasten er hevet eller senket, må den alltid blokkeres mekanisk.



ADVARSEL: BRUK KUN SOLIDE DELER TIL Å HOLDE LASTER. Være nøye med å velge stål- eller treklosser som kan holde lasten. Bruk aldri en hydraulisk sylinder som en foring eller avstandshylse ved løft eller press.



FARE: For å unngå personskade må man holde hender og føtter unna muttertrekkerens reaksjonsarm og arbeidstykket ved bruk.



ADVARSEL: Ikke overskrid utstyrets spesifikasjoner. Prøv aldri å løfte en last som veier mer enn sylindrens kapasitet. Overlast fører til at utstyret bryter sammen, og til mulig personskade. Sylinderne er konstruert for et maks. trykk på 700 bar [10 000 psi]. Ikke kople jekk eller sylinder til en pumpe med høyere trykkspesifikasjoner.



ADVARSEL: Still aldri trykket for avlastingsventilen inn til over 725 bar. Hvis maksimalgrensen overskrides, kan det kan føre til alvorlig personskade. Det kan også oppstå skade på pumpen og komponentene.



ADVARSEL: Systemets arbeidstrykk på ikke oversteige trykkklasse av den lavest klasserte komponenten i systemet. Installer trykkmålere i systemet for å overvåke driftstrykk. Det er ditt vindu inn til hva som skjer i systemet.



FORSIKTIG: Unngå skader på hydrauliske slanger. Unngå bøyning og krølling når de hydrauliske slangene legges ut. Å bruke en bøyd eller krøllet slange vil skape et alvorlig mottrykk. Skarpe bøyer eller krøll vil umiddelbart skade slangen og føre til tidlig slangefeil.



Ikke slipp tunge gjenstander på slangen. Et hardt slag kan føre til skade på slangens armering. Å sette trykk på en skadet slange kan få den til å revne.



VIKTIG: Ikke løft hydraulisk utstyr i slangen eller sveivelkoblinger. Bruk bærehåndtaket eller andre sikre måter å bære på.



FORSIKTIG: Hold hydraulisk utstyr unna åpen ild og varme. For mye varme vil gjøre pakninger og forseglinger bløte, noe som fører til væskelekkasje. Hete svekker også slangematerialet og pakninger. For best mulig ytelse bør ikke utstyret utsettes for temperaturer over 65 °C. Beskytt slanger og sylindere mot sveisesprut.



FARE: Ikke håndter slanger under trykk. Oljesprut under trykk kan gå gjennom huden og gjøre alvorlig skade. Dersom olje er trenger gjennom huden må man oppsøke lege med en gang.



ADVARSEL: Bruk kun muttetrekkere i et tilkoblet system. Bruk aldri en muttetrekker uten tilkoblede koblinger. Hvis muttetrekkeren blir ekstremt overbelastet kan komponenter feile katastrofalt og forårsake alvorlige personskader.



ADVARSEL: SØRG FOR AT OPPSETTET ER STABILT FØR LAST LØFTES.

Sylindere skal plasseres på et plant underlag som kan bære lasten. Ved behov skal det brukes grunnplate på sylindere for å øke stabiliteten. Ikke bruk sveising eller modifierer sylindere på annen måte for å feste en grunnplate eller annen støtte.



Unngå situasjoner der last ikke er direkte sentrert på sylindere. Skjev last gir stor belastning på sylindere og stempel. I tillegg kan lasten gli eller falle, og skape potensielt farlige situasjoner.



For del lasten jevnt over hele trykkhodets overflate. Bruk alltid trykkhode for å beskytte stampelet.



VIKTIG: Hydraulisk utstyr må kun få service av en kvalifisert hydraulikktekniker. For reparasjoner, kontakt et Autorisert ENERPAC Servicesenter i din region. For å beskytte garantien, bruk bare ENERPAC hydraulikkolje.



ADVARSEL: Bytt umiddelbart ut slitte eller skadde deler med ekte ENERPAC-deler. Uoriginale deler vil gå i stykker og forårsake skade på personer og eiendom. ENERPAC-deler er designet for å passe riktig og for å tåle store påkjenninger.



FORSIKTIG: Bruk alltid pumpens løfte-/transporthåndtak når du bærer pumpen. Hvis du bærer pumpen etter slangen, kan dette skade slangen og/eller pumpen.

3.0 PRODUKTINFORMASJON

Tabell 1, Spesifikasjoner – Håndpumper, ULTIMA-serien

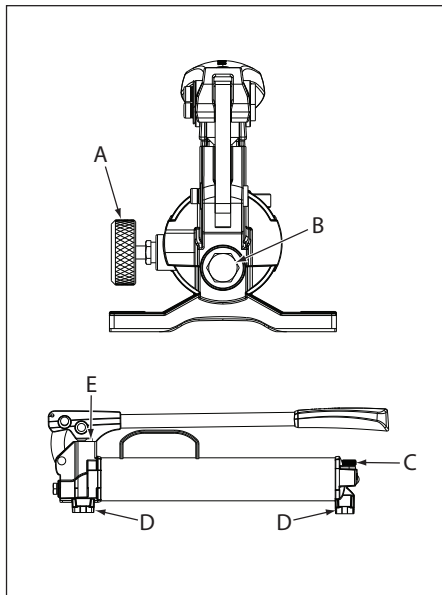
Pumpe- modell	Pumpe- type (hastighet)	Maks nominelt trykk		Oljevolum pr. slag		Brukbar oljekapasitet	Vekt med olje	Maks håndtak- sbelastning
		bar [psi]		cm ³ [in ³]				
		Stage 1	Stage 2	Stage 1	Stage 2	cm ³ [in ³]	kg [lbs]	kg [lbs]
P-18	1	—	200 [2 850]	—	2,46 [0,15]	360 [22]	5,0 [11,0]	16 [36]
P-39	1	—	700 [10 000]	—	2,46 [0,15]	769 [47]	6,2 [13,6]	38 [85]
P-77	2	34 [500]	700 [10 000]	16,38 [1,00]	2,46 [0,15]	769 [47]	7,1 [15,6]	40 [88]
P-80	2	34 [500]	700 [10 000]	16,38 [1,00]	2,46 [0,15]	2195 [134]	10,7 [23,6]	35 [77]
P-801	2	34 [500]	700 [10 000]	16,38 [1,00]	2,46 [0,15]	4095 [250]	14,0 [31,0]	35 [77]
P-84	2	34 [500]	700 [10 000]	16,38 [1,00]	2,46 [0,15]	2195 [134]	11,7 [26,0]	35 [77]

Tabell 2, Funksjoner og hovedkomponenter – Håndpumper, ULTIMA-serien

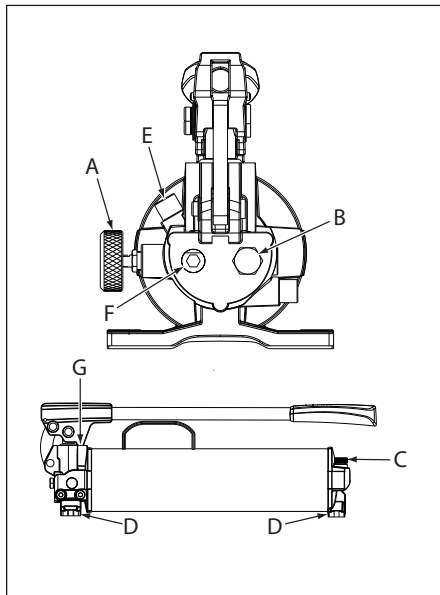
Enhet (se figurene 1 til og med 4 for plassering)	Pumpemodell					
	P-18	P-39	P-77	P-80	P-801	P-84
A	Utløserventil	Utløserventil	Utløserventil	Utløserventil	Utløserventil	4-veis kontrollventil med 3 stillinger
B	En 76,2 mm NPTF utlørsport	En 76,2 mm NPTF utlørsport	En 76,2 mm NPTF utlørsport	En 76,2 mm NPTF utlørsport	En 76,2 mm NPTF utlørsport	To 76,2 mm NPTF utlørsporter
C	Fylleplugg for olje	Fylleplugg for olje	Fylleplugg for olje	Fylleplugg for olje	Fylleplugg for olje	Fylleplugg for olje
D	Monteringsåpninger	Monteringsåpninger	Monteringsåpninger	Monteringsåpninger	Monteringsåpninger	Monteringsåpninger
E	Brukerjusterbar avlastningsventil	Brukerjusterbar avlastningsventil	Brukerjusterbar avlastningsventil	Brukerjusterbar avlastningsventil	Brukerjusterbar avlastningsventil	Brukerjusterbar avlastningsventil
F	—	—	—	76,2 mm NPTF returport til tanken	76,2 mm NPTF returport til tanken	—
G	—	—	Bypassventil	Bypassventil	Bypassventil	Bypassventil

3.1 Pumpefunksjoner og hovedkomponenter

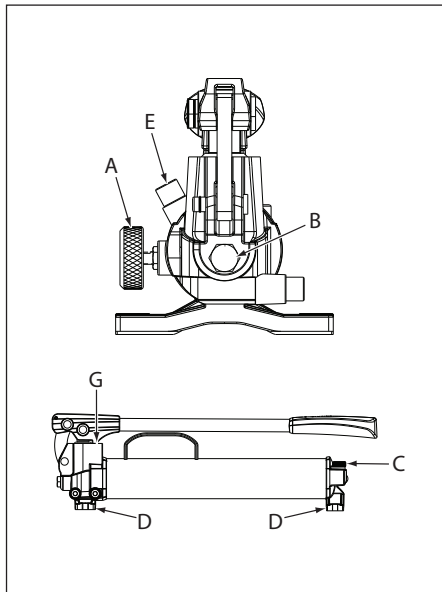
Se figurene 1 til og med 4 for plassering av pumpefunksjonene og hovedkomponentene. Se tabell 2 for beskrivelse av enhetene A til og med G.



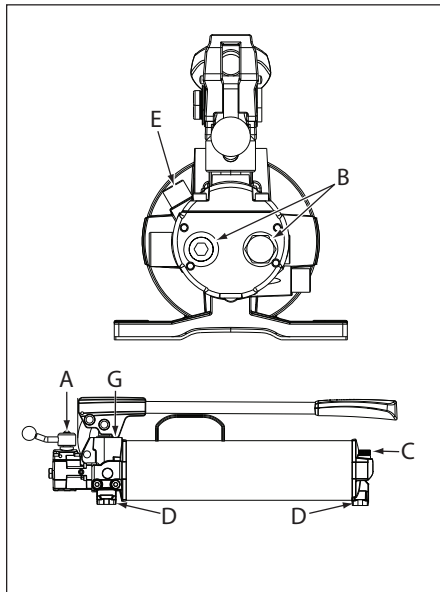
Figur 1, modellene P-18 og P-39



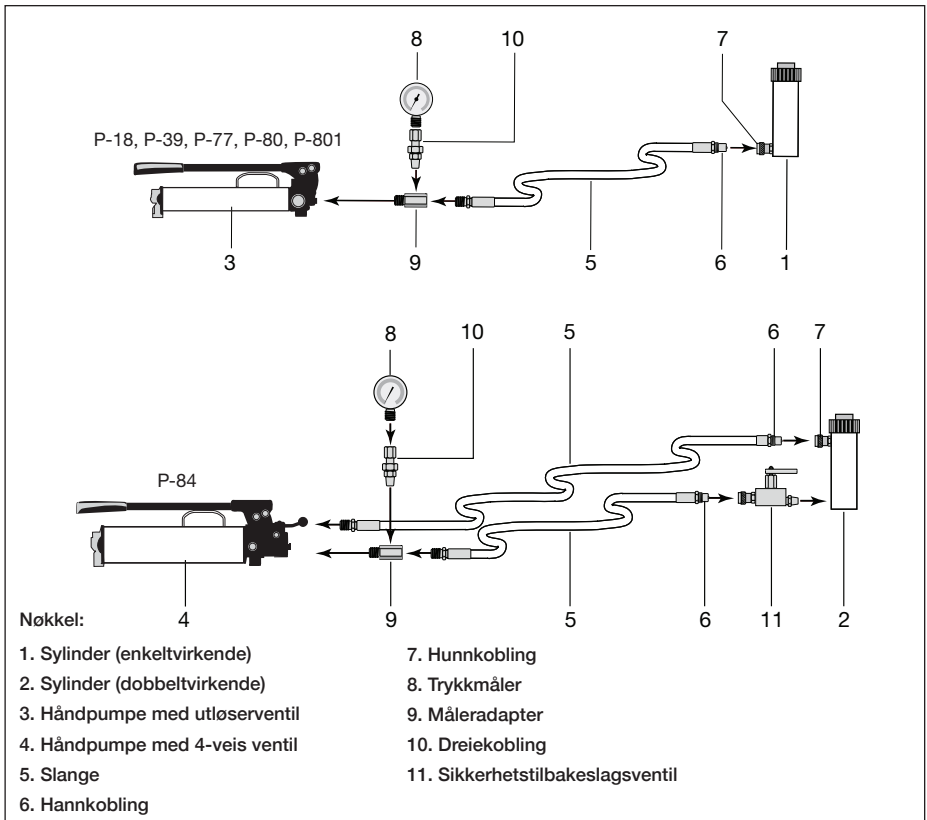
Figur 3, modellene P-80 og P-801



Figur 2, modell P-77



Figur 4, modell P-84

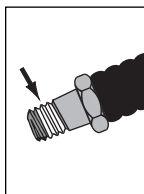


Figur 5, Hydrauliske koblinger (typiske)

4.0 INSTALLASJON

4.1 Koble til pumpen

- Ta transportpluggen(e) av utløpsporten(e) på pumpen.
- Juster avlastingsventilen til ønsket grense for hydraulikktrykk. Se kapittel 7.0 for anvisninger.
- Koble slangen(e) til pumpen. Bruk anaerobisk gjengeforsegling, Teflon®-pasta eller Teflon®-teip for å forsegle gjengene.



Figur 6

VIKTIG: Ved bruk av Teflon®-teip, skal teipen settes på én gjenge før enden av rørdelen, for å hindre at teipbiter kommer inn i hydraulikksystemet. Se Figur 6.

- Installer en trykkmåler in-line fra pumpen, for ekstra sikkerhet og bedre kontroll.
- Koble slangen(e) til sylindere eller verktøyet.
 - Koble én slange fra pumpen til sylindere ved bruk av enkeltvirkende sylindere.
 - Koble til to slanger ved bruk av dobbeltvirkende sylindere. Koble én slange fra porten (A) på

pumpen til fremføringsporten på sylindere. Koble en annen slange fra porten (B) på pumpen til tilbaketrekingsporten på sylindere.

Kun modellene P-80 og P-801: Hvis en ekstern trykkreduseringsventil brukes på kretsen, skal tankporten på ventilen kobles til returporten til tanken på pumpen.

Merk: Sylindere, slanger og tilbehør som er vist i Figur 5 selges separat og leveres ikke inkludert med pumpen. Se Enerpac-katalogen for en komplett beskrivelse av tilgjengelige komponenter og tilbehør. De eksakte komponentene som kreves for ditt system vil variere, avhengig av bruk og andre faktorer.

4.2 Luft pumpen

Håndpumpene i ULTIMA-serien er konstruert for bruk uten lufting. Fyllpluggen for olje kan løsnes hvis det er nødvendig å luften ut systemet, men skal være fullstendig installert for pumpen brukes.

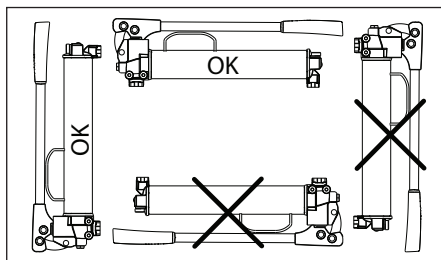
VIKTIG: Ikke bruk pumpen mens påfyllingspluggen for olje er løsnet eller tatt av. Dette for å hindre at forurensninger trenger inn i hydraulikksystemet.

4.3 Plassere pumpen

Pumpen kan brukes enten i horisontal eller vertikal stilling. Se figur 7. Ved bruk i vertikal stilling, må

slangeenden på pumpen vende nedover, ellers vil pumpen trekke inn luft og vil ikke bygge opp trykk slik den skal.

Merk: Pumpen er ikke konstruert for bruk i motsatt (opp-ned) stilling.



Figur 7, Pumpeinnretning

5.0 DRIFT

5.1 Før pumpen tas i bruk

1. Kontroller alle systemets koblinger og påse at de er tette og uten lekkasje.
2. Sjekk oljestanden på tanken og etterfyll ved behov. Se anvisningene i kapittel 9.1.
3. Les og forstå følgende forholdsregler før pumpen tas i bruk:



ADVARSEL: Håndtaket kan "slå tilbake" i bestemte situasjoner. Hold alltid kroppen din på siden av pumpen og unna banen til håndtaket.



ADVARSEL: Hold hender og fingre unna klempunktområdet mellom pumpehåndtaket og løfte-/transporthåndtaket når du bruker pumpehåndtaket.



FORSIKTIG: Ta alltid ut transportpluggen(e) fra utløpsporten(e) på pumpen og sett i korrekte hydraulikkoblinger før du bruker pumpehåndtaket. Hvis pumpehåndtaket brukes med transportpluggen(e), kan de(n) støtes ut av porten(e) med stor kraft og føre til mulig personskaade.



FORSIKTIG: Pumpehåndtaket må aldri forlenges. Forlengelser kan føre til ustabil drift av pumpen.



FORSIKTIG: Ikke trekk i pumpehåndtaket etter at det har nådd sluttpunktet for vandringsen, ellers kan det føre til mekanisk skade. Ikke bruk sideveis kraft på pumpehåndtaket.

VIKTIG: For å redusere belastningen på håndtaket ved høye trykk, tar du korte drag. Maksimal utnyttelse får du de siste 5 gradene på draget.

5.2 Strømning i to trinn

Modellene P-77, P-80, P-801 og P-84

Pumper med to hastigheter gir strømning i to trinn. Uten belastning, kjører pumpen høystrømning i første trinn for hurtig fremdrift. Når det oppstår belastning, vil pumpen automatisk gå over til det andre trinnet for å bygge opp trykk. Etter at pumpen skifter, kreves det mindre kraft for å pumpe.

Merk: For best ytelse, brukes pumpehåndtaket ved moderat hastighet under første høystrømningstrinn. Hurtig håndtakshastighet i første trinnet vil hindre pumpen i å levere fullt volum med olje.

5.3 Betjening av pumpen

Modellene P-18, P-39, P-77, P-80 og P-801

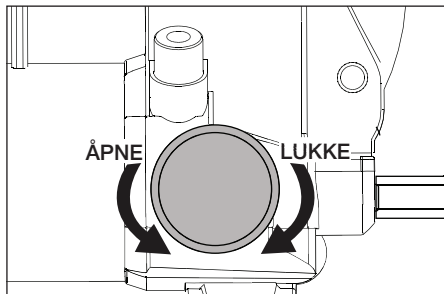
Alle pumpemodellene, unntatt P-84 er konstruert for bruk med enkeltvirkende sylindre og er utstyrt med en intergralutløserventil.

1. Lukk utløserventilen ved å dreie bryteren med urviseren til den stopper. Se Figur 8.



FORSIKTIG: Lukk utløserventilen KUN så stramt som du kan få til med fingrene. Bruk av verktoy på utløserventilen kan skade den og føre til feilfunksjon av pumpen.

2. Bruk pumpehåndtaket for å gi systemet hydraulisk kraft. Trykket vil opprettholdes til utløserventilen åpnes.
3. Åpne utløserventilen ved å dreie bryteren mot urviseren. Trykket vil bli løst ut, noe som lar oljen strømme tilbake til tanken.



Figur 8, utløserventil (alle, unntatt P-84)



FORSIKTIG: Hvis bryteren for utløserventilen blir vanskelig å dreie eller sitter fast, skal du slutte å bruke pumpen øyeblikkelig. Få pumpen inspisert og reparert av et autorisert Enerpac servicesenter.

5.4 Pumpedrift - modell P-84

Modell P-84 er utstyrt med en 4-veis kontrollventil med 3 stillinger. Den er konstruert for bruk med dobbeltvirkende sylindre. Se figurene 9 og 10.

1. Plasser spaken på 4-veis ventilen for å velge funksjon som følger:

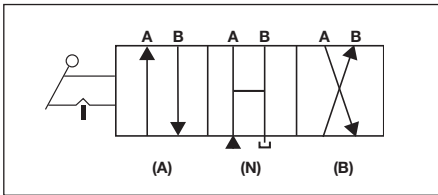
(A) Strømningen rettes til port "A"; port "B" returnerer strømningen til tanken.

(N) Nøytral - portene "A" og "B" er åpne til tanken.

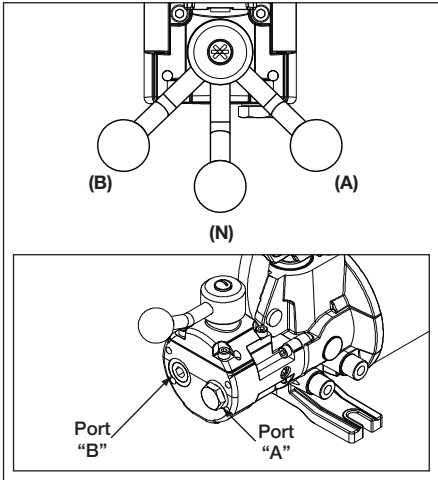
(B) Strømningen rettes til port "B"; port "A" returnerer strømningen til tanken.



ADVARSEL: Ventilen inneholder ingen lasteholdende enheter. Sørg for at lasten avstøttes med blokkering, mekaniske stativer eller annet, egnet støtteutstyr for ventilspakken settes tilbake til nøytral stilling (N).



Figur 9, 4-veis ventildiagram (P-84)



Figur 10, Stillinger for kontrollventilhendelen og slangekoblinger (P-84)

2. Bruk pumpen til å utføre arbeidet.
3. Endre ventilstillingene etter behov.



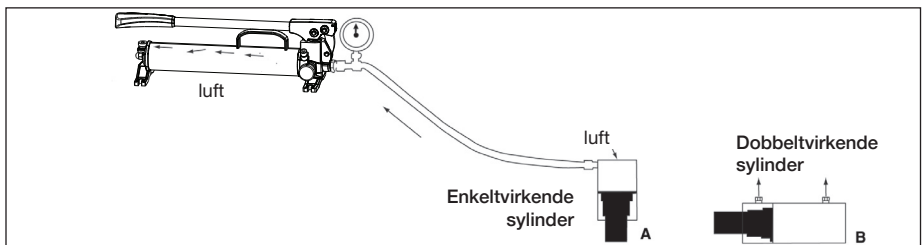
ADVARSEL: Bruk dobbeltvirkende sylinder kun når begge slangene er koblet til pumpen. Hvis den ene koblingen ikke er koblet til, vil det bygges opp høyt trykk bak koblingen, og dette kan forårsake personskade og/eller skade på utstyr.

6.0 FJERNE LUFT

Fjerning av luft fra hydraulikksystemet vil hjelpe sylinderen med å føres frem og trekkes tilbake jevnt.

6.1 Pumpe med enkeltvirkende sylinder

1. Løsne og fjern oljefyllepluggen for lufting av tanken under følgende trinn.
2. Lukk utløserventilen fullstendig.
3. Plasser pumpen i horisontal stilling, høyere enn sylinderen. Se figur 11.



Figur 11, Fjerne luft

4. Plasser sylinderen med stempelenden vendt nedover (oppover hvis det brukes trekksylinder).
5. Bruk pumpen slik at sylinderen trekkes helt ut (trekkes helt tilbake hvis det brukes trekksylinder).
6. Åpne utløserventilen til å trekke sylinderen tilbake (føre den frem hvis det brukes trekksylinder). Dette vil tvinge den fangede luften opp til pumpens tank.
7. Gjenta trinnene 2 til og med 6 etter behov, til sylinderdriften er jevn.
8. Fyll på olje hvis det er nødvendig. Se kapittel 9.1.
9. Sett oljefyllingspluggen tilbake.

6.2 Pumpe med dobbeltvirkende sylinder

1. Løsne oljefyllingspluggen flere omdreininger for å la tanken avluftes under følgende trinn.
2. Plasser pumpen i horisontal stilling, høyere enn sylinderen. Se Figur 11.
3. Plasser sylinderen i horisontal stilling, med portene vendt oppover.
4. Før sylinderen helt frem og trekk den tilbake 2 til 3 ganger.
5. Gjenta trinnene 2 til og med 4 etter behov, til sylinderdriften er jevn.
6. Fyll på olje hvis det er nødvendig. Se kapittel 9.1.
7. Sett oljefyllingspluggen tilbake.

7.0 JUSTERING AV AVLASTNINGSVENTILEN

1. **Alle modeller, unntatt P-84:** Monter en 0-1000 bar trykkmåler i utlørsporten for pumpeolje. Lukk utløserventilen (drei bryteren med urviseren til den stopper).
2. **Kun modell P-84:** Monter en 0-1000 bar trykkmåler i pumpens "A"-port. Monter en rørplugg i pumpens "B"-port. Flytt kontrollventilhendelen til stillingen (A).
3. Bruk en 25,4 mm unbrakonøkkel og ta ut støvpluggen over justeringsskruen for avlastningsventilen.
 - Avlastningsventilen finner du oppe på toppen av pumpehodet på modellene P-18 og P-39. Se Figur 12.
 - Avlastningsventilen finner du på siden av pumpehodet på modellene P-77, P-80, P-801 og P-84. Se figur 13.

Merk: For å oppnå en nøyaktig innstilling ved de følgende trinnene, skal trykket alltid reduseres til et punkt *under* den ønskede endelige innstillingen, og deretter økes til den endelige innstillingen nås.

4. Bruk en 5,56 mm unbrakonøkkel og løsne avlastningsventilens justeringsskrue ca. 2 omdreininger. Se figur 14.

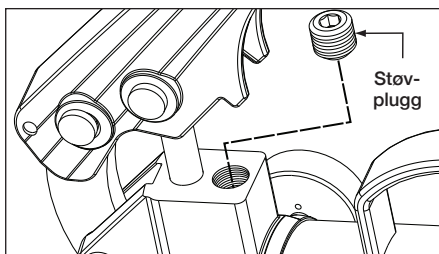
5. Ved bruk av pumpehåndtaket, dreies avlastningsventilens innstillingskrue med urviseren til trykket øker til ønsket nivå. Trykkinnstillingen viser når pumpingen ikke resulterer i en høyere trykkavlesing på måleren.



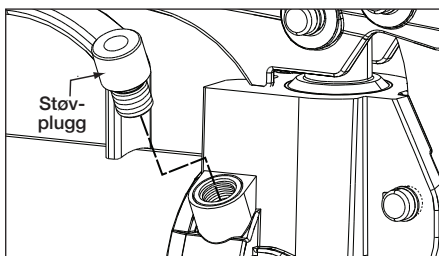
ADVARSEL: Still aldri trykket for avlastningsventilen inn til over 725 bar.

Hvis maksimalgrensen overskrides, kan det kan føre til alvorlig personskade. Det kan også oppstå skade på pumpen og komponentene.

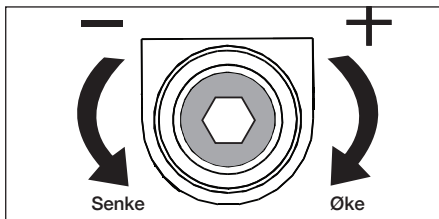
6. **Alle modeller, unntatt P-84:** Etter at ønsket innstilling er oppnådd, dreies telleren for utløserventilen med urviseren for å senke systemtrykket. Sjekk at trykkmåleren viser null (0) bar.
7. **Kun modell P-84:** Etter at ønsket innstilling er oppnådd, flyttes ventilhåndtaket til (N) nøytral stilling for å senke systemtrykket. Sjekk at trykkmåleren viser null (0) bar.
8. **Alle modeller, unntatt P-84:** Fjern trykkmåleren fra pumpens oljeutløpsport. Gjenmonter støvpluggen over justeringskruen for avlastningsventilen.
9. **Kun modell P-84:** Fjern trykkmåleren fra pumpens "A"-port. Fjern rørpluggen fra pumpens "B"-port. Gjenmonter støvpluggen over justeringskruen for avlastningsventilen.



Figur 12, Avlastningsventil (P-18 og P-39)



Figur 13, Avlastningsventil (P-77, P-80, P-801 og P-84)

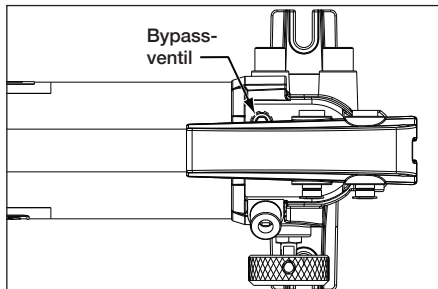


Figur 14, Justeringskrue for avlastningsventil

8.0 JUSTERING AV BYPASS-VENTILEN MODELLENE P-77, P-80, P-801 og P-84

Bypass-ventilen styrer trykket hvor en tohastighetspumpe veksler fra første til andre trinnet. Se Figur 15.

Bypass-ventilen er fabrikkinnstilt og skulle ikke kreve omjustering hvis ikke den overhales eller repareres. Hvis omjustering er nødvendig, skal denne kun utføres av et autorisert Enerpac servicesenter.



Figur 15, Bypass-ventil (P-77, P-80, P-801 og P-84)

9.0 VEDLIKEHOLD

Bruk kun Enerpac hydraulikkolje med pumpen for å sikre lang levetid for pumpen og for å oppfylle garantikravene. Viton og etylenpropylen gummitetningssett kan skaffes for enkelte håndpumpemodeller. Kontakt Enerpac-forhandleren for mer informasjon om disse produktene og bruken av dem.

9.1 Fylle olje på pumpen



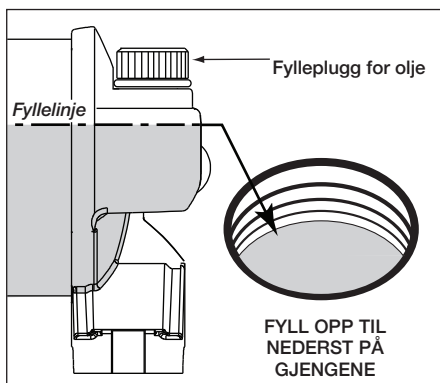
ADVARSEL: Fyll alltid på olje med sylindrene fullstendig tilbaketrukket (fremført hvis det er trekk-sylindre), hvis ikke vil systemet inneholde mer olje enn det tanken rommer.

Sjekk oljenivået jevnlig og etterfyll med olje ved behov. Benytt følgende trinn:

1. Sett pumpen i horisontal stilling på et jevnt underlag.
2. Ta oljefyllepluggen av tanken.
3. Sjekk oljestanden. Se figur 16. Hvis oljenivået er lavt, etterfylles det med mer olje til nivået når opp til nederste gjengen på åpningen for oljefyllepluggen.

VIKTIG: Ikke fyll på for mye! Det må finnes litt luftrom i tanken for at korrekt drift skal være mulig. Hvis tanken inneholder for mye olje, vil det bli dannet et vakuum og dette vil hindre oljen i å strømme når pumpen er i drift.

4. Sett på oljefyllepluggen igjen etter å ha etterfyllt med olje. Sjekk at pluggen er skikkelig monteret (ikke løs).
5. Fjern luft fra systemet om nødvendig. Se kapittel 6.0. Sjekk oljenivået på nytt, etter å ha fjernet luften.



Figur 16, Oljenivå i tanken



ADVARSEL: Pumpens oljefylleplugg har en integrert trykkavlastningsbane, en sikkerhetsfunksjon som hindrer overtrykk i tanken. Bruk kun fyllepluggen for olje som leveres med pumpen eller en genuin Enerpac reserveplugg med identiske spesifikasjoner.



ADVARSEL: Prøv aldri å fylle på mer olje på tanken enn den rommer.

9.2 Skift olje

Drener all olje fra tanken og etterfyll med ren Enerpac-olje hver 12. måned. Hvis pumpen brukes i skitne omgivelser, skal oljen skiftes oftere.

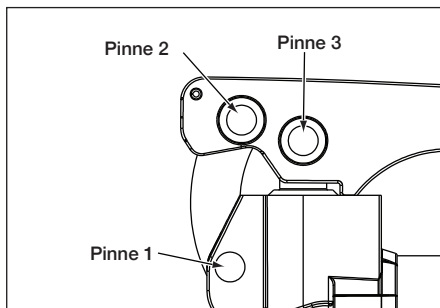
1. Ta oljefyllepluggen av tanken.
2. Vipp pumpen for å drenere ut den gamle oljen.

VIKTIG: Kasser oljen i samsvar med alle gjeldende lover og forskrifter.

3. Etterfyll tanken med ny Enerpac-olje. Se kapittel 9.1 for ytterligere informasjon.
4. Sett oljefyllingspluggen tilbake.

9.3 Smøring

For å forlenge pumpens levetid og gi bedre ytelse, skal de tre pumpehåndtakpinnene smøres jevnlig med kulelagersmurning. Se figur 17.



Figur 17, Smørepunkter

9.4 Holde oljeledninger rene

Monter alltid støvhetter når koblingshalvdelen er frakoblet. For å hindre feil ved pumpen og andre komponenter, må alle forholdsregler tas for å sikre systemet mot at det trenger inn skitt og annet fremmedmateriale.

10.0 FEILSØKINGSGUIDE

Informasjonen i feilsøkingsguiden (se tabell 3) er kun ment som hjelp til å diagnostisere og korrigere utvalgte problemer som kan oppstå.

En systemfeil kan muligens være et resultat av en feilfunksjon på pumpen. For å bestemme årsaken til problemet må hele systemet inkluderes i enhver diagnostikk.

For reparasjoner bes du kontakte ditt lokale, autoriserte Enerpac servicesenter. Kun autoriserte Enerpac servicesentre skal utføres service på pumpen eller systemkomponentene.

Tabell 3, Feilsøkingsguide – Håndpumper, ULTIMA-serien

Problem	Mulig Årsak	Løsning
Sylinderen føres ikke frem, føres frem sakte eller føres frem på en hakkete måte.	<ol style="list-style-type: none"> 1. Lavt oljenivå i pumpetanken. 2. Utløserventilen åpen eller ikke helt lukket. 3. Avlastningsventilen er stilt for lavt. 4. Hydraulikkoblingen er ikke korrekt tilkoblet. 5. Belastningen er for stor. 6. Det finnes luft i systemet. 7. Tanken er overfylt. 8. Sylindestempelet er fastkjørt. 	<ol style="list-style-type: none"> 1. Etterfyll med olje i henhold til anvisningene i kapittel 9.1. 2. Lukk utløserventilen fullstendig. 3. Still inn trykket for avlastningsventilen i henhold til anvisningene i kapittel 7.0. 4. Sjekk at alle koblingene er fullstendig tilstrammet. 5. Ikke prøv å løfte mer enn den oppgitte vekten. 6. Fjern luften i henhold til anvisningene i kapittel 6,0. 7. Fjern overflødig olje fra tanken. <p>Merk: Hvis sylinderen fungerer normalt mens fyllepluggen for olje er løsnet, kan det hende at tanken er overfylt med olje.</p> <ol style="list-style-type: none"> 8. Sjekk for skade på sylinderen. Få sylinderen reparert av et autorisert Enerpac servicesenter.
Sylinderen føres frem, men holder ikke på trykket.	<ol style="list-style-type: none"> 1. Lekk kobling. 2. Lekk i pakninger. 3. Indre lekkasje i pumpen. 4. Innstillingen for bypass-ventilen er for lav (modellene P-77, P-80, P-801 og P-84) 	<ol style="list-style-type: none"> 1. Sjekk at alle koblingene er tilstrammet og ikke lekket. 2. Finn lekkasjen(e) og få utstyret reparert av et autorisert Enerpac servicesenter. 3. Få pumpen reparert av et autorisert Enerpac servicesenter. 4. Få innstillingen for bypass-ventilen justert av et autorisert Enerpac servicesenter.
Sylinderen trekkes ikke tilbake, trekkes delvis tilbake eller trekkes tilbake saktere enn normalt.	<ol style="list-style-type: none"> 1. Utløserventilen er lukket. 2. Tanken er overfylt. 3. Hydraulikkoblingen er ikke korrekt tilkoblet. 4. Det finnes luft i systemet. 5. Den innvendige diameteren på slangen er for liten. 6. Fjæren for tilbaketrekking av sylinderen er ødelagt, eller det har oppstått annen skade på sylinderen 7. In-line-ventilen er lukket. 	<ol style="list-style-type: none"> 1. Åpne utløserventilen. 2. Fjern overflødig olje fra tanken. <p>Merk: Hvis sylinderen fungerer normalt mens fyllepluggen for olje er løsnet, kan det hende at tanken er overfylt med olje.</p> <ol style="list-style-type: none"> 3. Sjekk at alle koblingene er fullstendig tilstrammet. 4. Fjern luften i henhold til anvisningene i kapittel 6,0. 5. Bruk hydraulikkslanger med større diameter. 6. Få sylinderen reparert av et autorisert Enerpac servicesenter. 7. Sjekk at in-line-ventilene (hvis disse brukes) er korrekt innstilt.

Merk: På www.enerpac.com kan du finne ut hvor nærmeste, autoriserte Enerpac servicesenteret er.

L3070 Svenska Rev. F 03/17

Reservdelar till den här produkten finns tillgängliga på Enerpacs webbsida på adressen www.enerpac.com, eller hos din närmaste auktoriserade återförsäljare för Enerpac eller på Enerpacs försäljningskontor.

1.0 VIKTIGA INSTRUKTIONER FÖRE ANVÄNDNING

Gör en visuell undersökning av alla komponenter för att se eventuella transportskador. Transportskador täcks inte av garantin. Om du upptäcker en transportskada skall du omedelbart informera leverantören. Leverantören ansvarar för alla kostnader för reparationer och byten som uppstår på grund av transportskada.

SÄKERHET

2.0 SÄKERHETSFRÅGOR



Läs samtliga instruktioner, varningar och meddelanden noggrant. Följ samtliga säkerhetsföreskrifter för att undvika personskada eller skada på egendom under användningen. Enerpac ansvarar inte för skador som uppstår på grund av oaktsam användning, brist på underhåll eller felaktig användning och/eller systemhantering. Kontakta Enerpac om du är osäker på något som gäller säkerhetsanvisningarna och hanteringen. Kontakta återförsäljaren för att få en säkerhetsutbildning kostnadsfritt för Enerpacs hydraulik, om du aldrig tidigare har fått utbildning i hydraulisk säkerhet för högtryckslösningar.

Om du underlåter att följa anvisningarna och varningarna kan det leda till skada på utrustningen eller personskada. Ett **OBS**-meddelande används för att indikera korrekta drifts- och underhållsprocedurer för att förhindra skada på utrustningen eller egendom.

En **VARNING** indikerar en potentiell fara som kräver korrekta metoder eller övningar för att undvika personskada.

FARA används endast om du riskerar allvarlig personskada eller till och med livet på grund av en åtgärd eller brist på åtgärd.



VARNING: Använd rätt skyddsutrustning när du hanterar hydrauliska utrustningar.



VARNING: Håll dig på avstånd från last som drivs med hydraulik. En cylinder som används som en enhet för lyft av last skall aldrig användas som en enhet för hållning av last. Efter att lasten har höjts eller sänkts måste den spärras mekaniskt.



VARNING: ANVÄND ENDAST FASTA DELAR FÖR ATT HÅLLA LASTEN. Välj noggrant ut block av stål eller trä som klarar av att stöjda lasten. Använd aldrig en hydraulcylinder som mellanlägg i någon lyft- eller trycktillämpning.



GFARA: Håll händer och fötter på behörigt avstånd från cylinder och arbetsstycke för att undvika personskada vid användningen.



VARNING: Överskrid inte utrustningens märkningsuppgifter. Försök aldrig lyfta en last som väger mer än cylindern klarar.

Överbelastning orsakar skada på utrustningen och möjlig personskada. Cylindrarna är utformade för ett maximalt tryck på 700 bar [10 000 psi]. Anslut inte ett uttag eller en cylinder till en pump med högre tryckmärkning.



VARNING! Ställ aldrig in säkerhetsventilens tryck över 10 500 (psi) [725 bar]. Om denna maximala gräns överskrids kan det resultera i allvarliga personskador. Skada på pump och komponenter kan också inträffa.



VARNING: Systemets arbetstryck får inte överskrida den komponent som har det lägsta märktrycket i systemet. Installera tryckmätning i systemet för att övervaka arbetstrycket. Detta är din möjlighet att få inblick i vad som händer i systemet.



OBS! Undvik att skada den hydrauliska slangen. Undvik skarpa böjar och att slangarna snor sig när du drar dem. Om du använder en böjd eller snodd sladd kan det orsaka högt baktryck. Skarpa böjar och öglor skadar slangen invändigt, vilket leder till att den går sönder i förväg.



Tappa inte tunga föremål på slangen. Om du gör det kan det leda till invändiga skador på slangens linor. Om det anläggs tryck på en skadad slang kan det leda till att slangen går av.



VIKTIGT: Lyft inte den hydrauliska utrustningen i slangarna eller kopplingarna. Använd ett handtag eller något annat transportsätt.



OBS! Förvara den hydrauliska utrustningen på behörigt avstånd från hög värme. Överdriven värme kan leda till att packningar och tätningar mjukas upp och att vätska

läcker ut. Värmen försvagar även slangen och packningarna. För optimal prestanda skall utrustningen inte utsättas för temperaturer på 65 °C [150 °F] eller högre. Skydda slangar och cylindrar från svetslappor.



FARA: Hantera inte slangar med tryck.

Olja som läcker ut under tryck kan penetrera huden, vilket kan orsaka allvarlig skada. Om oljan skulle penetrera huden skall du omedelbart uppsöka läkare.



VARNING: Använd hydraulcylindrar i ett inkomplat system. Använd aldrig en cylinder med oanslutna kopplingar. Om cylindrarna överbelastas kan komponenterna gå sönder med katastrofalt resultat, vilket kan orsaka allvarlig personskada.



VARNING: SÄKERSTÄLL ATT INSTALLATIONEN ÄR STABIL INNAN NÅGON LAST LYFTES. Cylindrar bör placeras på en plan yta som stöder lasten.

Använd vid behov en bottenplatta för extra stabilitet. Utför inga svetsarbeten eller andra modifieringar för att montera cylindern till en bottenplatta eller annat stöd.



Undvik situationer där lasten inte är direkt centrerad mot cylinderkolven.

Last som inte är centrerad orsakar

avsevärd belastning på cylindrar och kolvar. Dessutom kan lasten halka eller ramlar av, vilket kan leda till allvarliga skador.



Fördela lasten jämnt över hela sadelns yta. Använd alltid en sadel för att skydda kolven.



VIKTIGT: Hydraulisk utrustning får endast underhållas av en hydraulisk fackman. Kontakta dit närmaste auktoriserade ENERPAC Service Center för reparation och underhåll. Använd endast ENERPAC-olja för att skydda garantin.



VARNING: Ersätt slitna eller skadade delar omedelbart med ENERPACS originaldelar. Andra delar kan gå sönder och orsaka personskada eller skada på egendom. ENERPACS delar är utformade för att passa perfekt och stå emot höga belastningar.



VAR FÖRSIKTIG! Använd alltid pumpens lyft-/transporthandtag för att bära pumpen. Om du bär pumpen i slangen kan det skada slangen och/eller pumpen.

3.0 PRODUKTINFORMATION

Tabell 1, Specifikationer – ULTIMA-seriens handpumpar

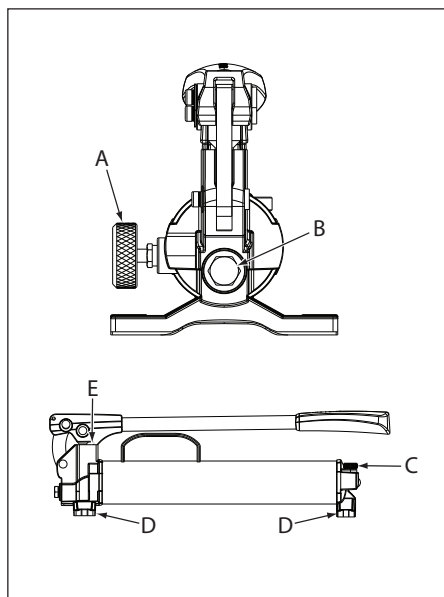
Pump Modell	Pumptyp (Hastighet)	Max. Tryckklassificering		Oljevolym per slag		Användbar oljekapacitet		Max. Handtagskraft	
		bar [psi]		cm ³ [in ³]		cm ³ [in ³]		kg [lbs]	
		Steg 1	Steg 2	Steg 1	Steg 2	cm ³ [in ³]	kg [lbs]	kg [lbs]	
P-18	1	—	200 [2 850]	—	2,46 [0,15]	360 [22]	5,0 [11,0]	16 [36]	
P-39	1	—	700 [10 000]	—	2,46 [0,15]	769 [47]	6,2 [13,6]	38 [85]	
P-77	2	34 [500]	700 [10 000]	16,38 [1,00]	2,46 [0,15]	769 [47]	7,1 [15,6]	40 [88]	
P-80	2	34 [500]	700 [10 000]	16,38 [1,00]	2,46 [0,15]	2195 [134]	10,7 [23,6]	35 [77]	
P-801	2	34 [500]	700 [10 000]	16,38 [1,00]	2,46 [0,15]	4095 [250]	14,0 [31,0]	35 [77]	
P-84	2	34 [500]	700 [10 000]	16,38 [1,00]	2,46 [0,15]	2195 [134]	11,7 [26,0]	35 [77]	

Tabell 2, Funktioner och viktigare komponenter – ULTIMA-seriens handpumpar

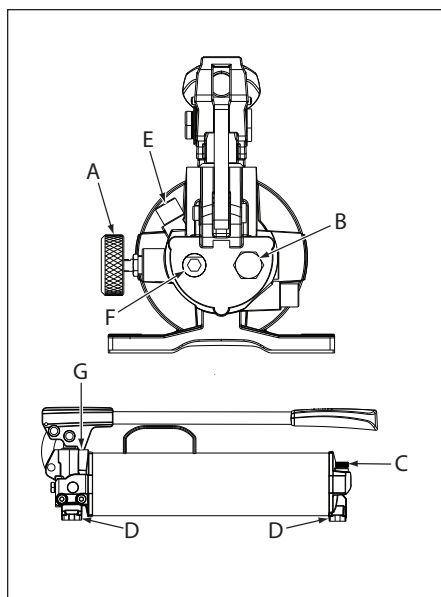
Artikel (Posternas placering visas i figur 1 t.o.m. 4)	Pumpmodell					
	P-18	P-39	P-77	P-80	P-801	P-84
A	Avlastningsventil	Avlastningsventil	Avlastningsventil	Avlastningsventil	Avlastningsventil	4-vägs reglerventil med 3 lägen
B	En 3/8 tum NPTF utloppsport	En 3/8 tum NPTF utloppsport	En 3/8 tum NPTF utloppsport	En 3/8 tum NPTF utloppsport	En 3/8 tum NPTF utloppsport	Två 3/8 tum NPTF utloppsportar
C	Oljepåfyllningsplugg	Oljepåfyllningsplugg	Oljepåfyllningsplugg	Oljepåfyllningsplugg	Oljepåfyllningsplugg	Oljepåfyllningsplugg
D	Monteringshåll	Monteringshåll	Monteringshåll	Monteringshåll	Monteringshåll	Monteringshåll
E	Justerbar säkerhetsventil	Justerbar säkerhetsventil	Justerbar säkerhetsventil	Justerbar säkerhetsventil	Justerbar säkerhetsventil	Justerbar säkerhetsventil
F	—	—	—	3/8 tum NPTF port för retur till tank	3/8 tum NPTF port för retur till tank	—
G	—	—	Förbikopplingsventi	Förbikopplingsventi	Förbikopplingsventi	Förbikopplingsventi

3.1 Pumpens funktioner och viktigaste komponenter

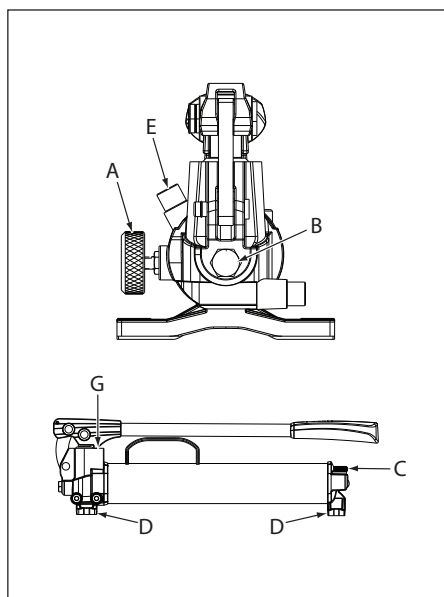
Placering av pumpens funktioner och viktigaste komponenter visas i figur 1 t.o.m. 4. Se tabell 2 för beskrivningar av posterna A t.o.m. G.



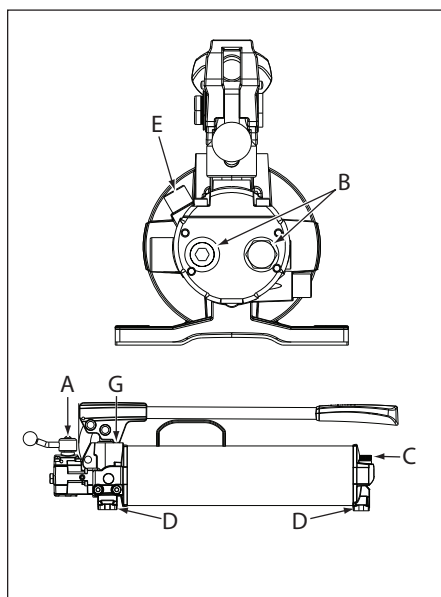
Figur 1, Modellerna P-18 och P-39



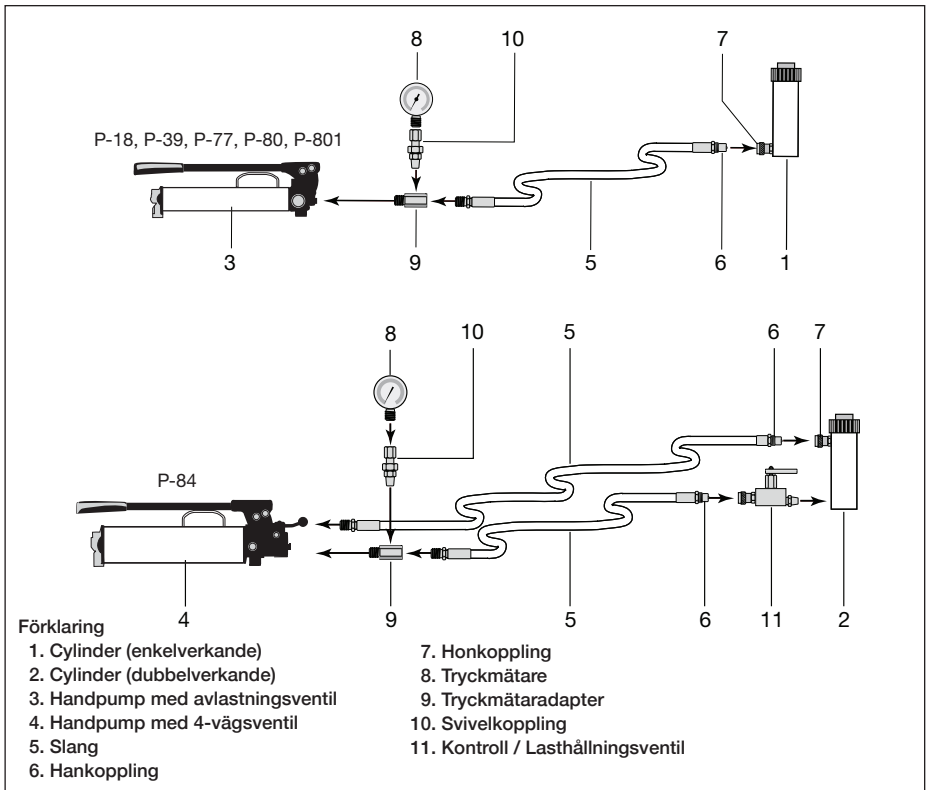
Figur 3, Modellerna P-80 och P-801



Figur 2, Modell P-77



Figur 4, Modell P-84

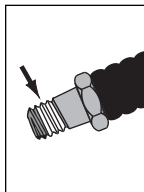


Figur 5, Hydrauliska anslutningar (typiska)

4.0 MONTERING

4.1 Ansluta pumpen

1. Ta bort transportpluggar från pumpens utloppsportar.
2. Justera säkerhetsventilen till önskad gräns för hydraultrycket. Instruktioner finns i avsnitt 7.0.
3. Anslut slang/slangarna till pumpen. Täta gångor genom att använda gängtätning, Teflon® pasta eller Teflon® tejp.



Figur 6

VIKTIGT! När du använder Teflon® tejp, lägg på teipen en gänga från slutet av anslutningen så att bitar av teipen inte kommer in i hydraulsystemet. Se Figur 6.

4. Placera en tryckmätare i ledningen från pumpen för ytterligare säkerhet och bättre kontroll.
5. Anslut slang/slangarna till din cylinder eller ditt verktyg.

- För enkelverkande cylindrar, anslut en slang från pumpen till cylindern.
- För dubbelverkande cylindrar, anslut två slangar. Anslut en slang från port A på pumpen till cylinderns matarport. Anslut en annan slang från port B på pumpen till cylinderns returport.

Endast modeller P-80 och P-801: Om en extern tryckreduceringsventil används i kretsen, anslut ventilens tankport till pumpens port för retur till tank.

Obs! Cylindrar, slangar och tillbehör som visas i figur 5 säljs separat och medföljer inte pumpen. En fullständig beskrivning av tillgängliga komponenter och tillbehör finns i Enerpacs katalog. Exakt vilka komponenter som krävs för ditt system varierar beroende på applikation och andra faktorer.

4.2 Pumpens ventilation

ULTIMA-seriens handpumpar är utformade för icke-ventilerad drift. Oljepåfyllningspluggen kan lossas vid behov för att avlufta systemet men ska vara helt installerad innan du använder pumpen.

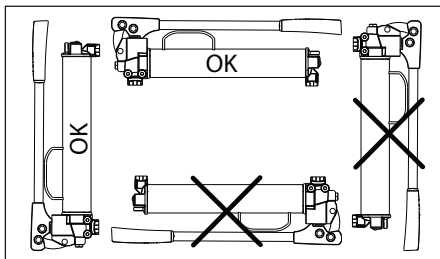
VIKTIGT! För att hindra att föroreningar kommer in i hydraulsystemet, använd inte pumpen när oljepåfyllningspluggen lossats eller tagits av.

4.3 Pumpens läge

Pumpen kan användas i både horisontellt eller vertikalt läge. Se Figur 7.

När den används i vertikalt läge måste pumpens slangände peka nedåt. Annars tar pumpen in luft och bygger inte upp tryck på rätt sätt.

Obs! Pumpen är inte utformad till att användas i inverterat (upp- och nedvänt) läge.



Figur 7, Pumpens inriktning

5.0 ANVÄNDNING

5.1 Innan du använder pumpen

1. Kontrollera alla systeminpassningar och anslutningar för att vara säker på att de sitter åt och inte läcker.
2. Kontrollera oljenivån i behållaren och fyll vid behov på olja. Se instruktionerna i avsnitt 9.1.
3. Läs och förstå följande försiktighetsåtgärder innan du använder pumpen:



VARNING! I vissa situationer kan pumpens handtag "ge bakslag". Håll alltid kroppen på ena sidan av pumpen på avstånd från handtagets kraftlinje.



VARNING! När du pumpar med handtaget, håll händer och fingrar borta från klämpunkten mellan pumphandtaget och lyft/transporthandtaget.



VAR FÖRSIKTIG! Ta alltid bort transportpluggarna från pumpens utloppsportar och byt ut mot rätt hydrauliska don innan du använder pumphandtaget. Om handtaget pumpas med transportpluggarna kvar kan pluggarna kastas ut från portarna med stor kraft och resultera i personskada.



VAR FÖRSIKTIG! Sätt aldrig på förlängningar på pumphandtaget. Förlängningar orsakar instabil pumppfunktion.



VAR FÖRSIKTIG! För att förhindra mekanisk skada, dra inte i pumphandtaget efter att det har nått ändläget. Tryck inte pumphandtaget sidledes.

VIKTIGT! Ta korta slag för att reducera handtagskraften vid högt tryck. Maximal hävstångsverkan uppnås under de sista 5 graderna av handtagets rörelse.

5.2 Tvåstegsflöde

Modeller P-77, P-80, P-801 och P-84

Tvåstegspumpar ger Tvåstegsflöde. När den inte är belastad kör pumpen i det höga flödets första steg så att cylindern körs framåt snabbt. När pumpen belastas växlar den automatiskt till det andra steget för att bygga upp tryck. När pumpen har växlat krävs mindre kraft för att pumpa.

Obs! Pumpa med handtaget med måttlig hastighet under det höga flödets första steg för bästa prestanda. Snabba rörelser med handtaget i första steget hindrar att pumpen levererar full volym olja.

5.3 Använda pumpen

Modeller P-18, P-39, P-77 och P-80

Alla pumpmodeller utom P-84 är utformade för att användas med enkelverkande cylindrar och är utrustade med en inbyggd avlastningsventil.

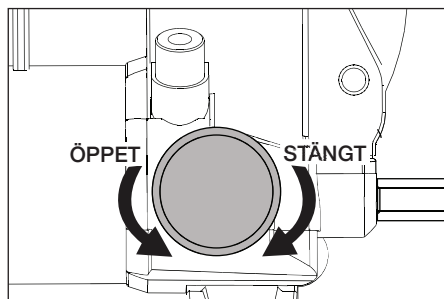
1. Stäng avlastningsventilen genom att vrida vredet medurs tills det tar emot. Se Figur 8.



VAR FÖRSIKTIG! Stäng ENDAST avlastningsventilen för hand. Att använda verktyg på avlastningsventilen kan skada den och orsaka att pumpen inte fungerar.

2. Pumpa med handtaget för att leverera hydraulkraft till systemet. Trycket hålls tills avlastningsventilen öppnas.

3. Öppna avlastningsventilen genom att vrida vredet moturs. Trycket släpps så att olja kan flöda tillbaka till behållaren



Figur 8, Avlastningsventil (alla utom P-84)



VAR FÖRSIKTIG! Om avlastningsventilens vred är svårt att vrida eller fastnar, sluta att använda pumpen omedelbart. Låt pumpen inspekteras och repareras av ett auktoriserat Enerpac-servicecenter.

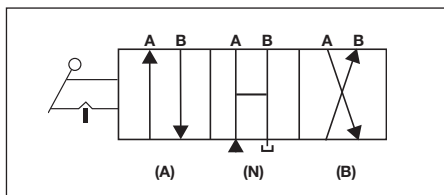
5.4 Använda pumpen - Modell P-84

Modell P-84 är utrustad med en 4-vägs reglerventil med 3 lägen. Den är utformad för användning med dubbelverkande cylindrar. Se figur 9 och 10.

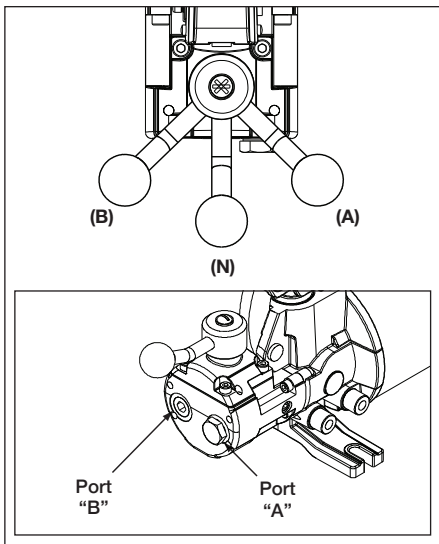
1. Placera spaken på 4-vägsventilen för att välja funktion enligt nedan:
 - (A) Flöde riktat till port A; port B skickar flödet tillbaka till behållaren.
 - (N) Neutral – portar A och B öppna till behållaren.
 - (B) Flöde riktat till port B; port A skickar flödet tillbaka till behållaren.



VARNING! Ventilen innefattar inte någon enhet som håller lasten. Var noga med att lasten stöds genom att placera block, mekaniska ställ eller andra lämpliga stöd under den innan du för ventilspaken till läget neutral (N).



Figur 9, 4-vägs ventilschema (P-84)



Figur 10, lägen för reglerventilens spak och slanganslutningar (P-84)

2. Kör pumpen för att utföra arbete.
3. Ändra ventilens lägen efter behov.



WARNING! Kör en dubbelverkande cylinder endast när båda slangarna är ansluta till pumpen. Om en koppling inte är inkopplad byggs högt tryck upp bakom kopplingen, vilket kan orsaka personskada och/eller skada på utrustningen.

6.0 AVLUFTNING

Att avlufta det hydrauliska systemet hjälper cylindern skjuta ut och dras tillbaka jämnt.

6.1 Pump med enkelverkande cylinder

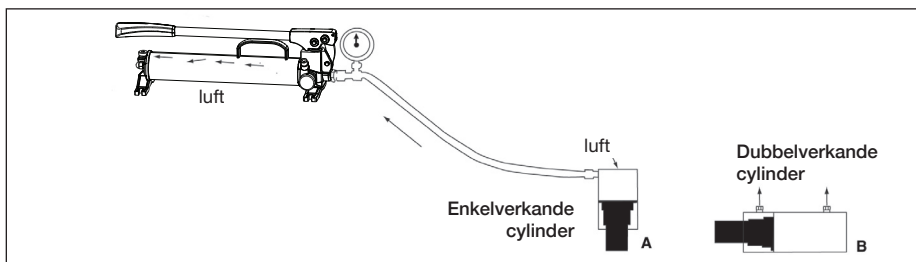
1. Lossa och ta bort oljepåfyllningspluggen så att behållaren kan ventileras under följande steg.
2. Stäng avlastningsventilen helt.
3. Placera pumpen i vågrätt läge högre än cylindern. Se Figur 11.
4. Placera cylindern med kolvänden nedåt (uppåt om du använder en dragcylinder).
5. Pumpa för att helt skjuta ut cylindern (dra tillbaka om du använder en dragcylinder).
6. Öppna avlastningsventilen för att dra tillbaka cylindern (skjuta ut om du använder en dragcylinder). Detta tvingar instängd luft att förflyttas upp till pumpbehållaren.
7. Upprepa steg 2 t.o.m. 6 efter behov tills cylindern fungerar jämnt.
8. Fyll på olja efter behov. Se avsnitt 9.1.
9. Sätt tillbaka oljepåfyllningspluggen.

6.2 Pump med dubbelverkande cylinder

1. Lossa oljepåfyllningspluggen flera varv så att behållaren kan luftas under följande steg.
2. Placera pumpen i vågrätt läge högre än cylindern. Se Figur 11.
3. Placera cylindern i horisontalt läge med portarna uppåt.
4. Kör cylindern helt och hållet fram och tillbaka 2 till 3 gånger.
5. Upprepa steg 2 t.o.m. 4 efter behov tills cylindern fungerar jämnt.
6. Fyll på olja efter behov. Se avsnitt 9.1.
7. Sätt tillbaka oljepåfyllningspluggen.

7.0 JUSTERA SÄKERHETSVENTILEN

1. **Alla modeller utom P-84:** Placera en tryckmätare för 0-1000 bar (0-15 000 psi) i pumpens utloppsport. Stäng avlastningsventilen (vrid vredet hela vägen medurs tills det tar emot).
2. **Endast modell P-84:** Placera en tryckmätare för 0-1000 bar (0-15 000 psi) på A-porten. Placera en rörplugg i pumpens B-port. Flytta reglerventilspaken till läget (A).
3. Ta bort dammpluggen över justeringskruven för



Figur 11, Avluftning

säkerhetsventil med en 1/4 tum insexnyckel.

- På modellerna P-18 och P-39 är säkerhetsventilen placerad på pumphuvudets ovansida. Se Figur 12.
- På modellerna P-77, P-80, P-801 och P-84 är säkerhetsventilen placerad på sidan av pumphuvudet. Se Figur 13.

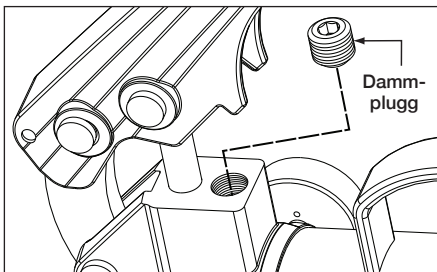
Obs! För att få en exakt inställning under följande steg, minska alltid trycket till en punkt *under* önskad sista inställning och öka sedan trycket sakta tills slutlig inställning har nåtts.

4. Lossa justeringskraven för säkerhetsventil ungefär 2 varv med en 7/32 tum insexnyckel. Se Figur 14.
5. Medan du pumpar med handtaget, vrid justeringskraven för säkerhetsventilen långsamt medurs tills trycket ökar till önskad inställning. Tryckinställningen indikeras när ytterligare pumpning inte leder till att ett högre tryck visas på mätaren.

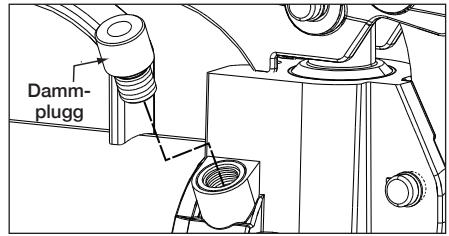


WARNING! Ställ aldrig in säkerhetsventilens tryck över 10 500 (psi) [725 bar]. Om denna maximala gräns överskrids kan det resultera i allvarliga personskador. Skada på pump och komponenter kan också inträffa.

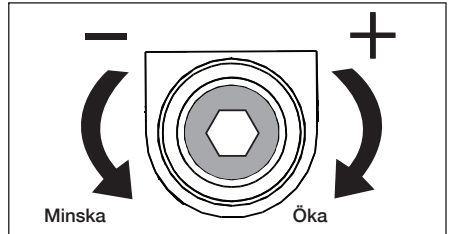
6. **Alla modeller utom P-84:** När du nått önskad inställning, vrid avlastningsventilen moturs för att lätta på systemtrycket. Kontrollera att tryckmätaren visar noll (0) psi/bar.
7. **Endast modell P-84:** När du nått önskad inställning, flytta ventilhandtaget till neutralläget (N) för att lätta på systemtrycket. Kontrollera att tryckmätaren visar noll (0) psi/bar.
8. **Alla modeller utom P-84:** Ta bort tryckmätaren från pumpens utloppsport. Sätt tillbaka dammpluggen över säkerhetsventilens justeringskrav.
9. **Endast modell P-84:** Ta bort tryckmätaren från pumpens A-port. Ta bort rörpluggen från pumpens B-port. Sätt tillbaka dammpluggen över säkerhetsventilens justeringskrav.



Figur 12, Säkerhetsventil (P-18 och P-39)



Figur 13, Säkerhetsventil (P-77, P-80, P-801 och P-84)

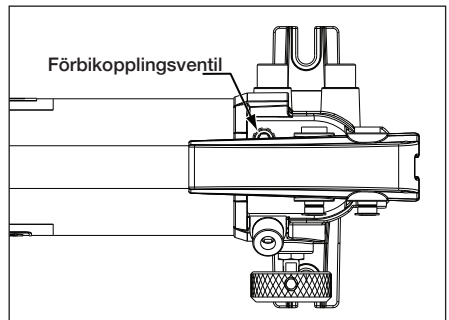


Figur 14, Justeringskrav för säkerhetsventil

8.0 JUSTERA FÖRBIKOPPLINGSVENTIL MODELLER P-77, P-80, P-801 OCH P-84

Förbikopplingsventilen styr det tryck vid vilket en tvåstegspump växlar från första till andra steget. Se Figur 15.

Förbikopplingsventilen är inställd i fabriken och bör inte kräva omskjustering om inte pumpen är renoverad eller reparerad. Vid behov ska omskjustering utföras endast av ett auktoriserat Enerpac-servicecenter.



Figur 15, Förbikopplingsventil (P-77, P-80, P-801 och P-84)

9.0 UNDERHÅLL

Använd endast Enerpac hydraulolja i pumpen för förlänga pumpens livslängd och skydda garantin. Tätningssatser av Viton och etylenpropylengummi är tillgängliga för vissa modeller handpumpar. Din Enerpac-återförsäljare har mer information om dessa produkter och deras användning.

9.1 Fylla på olja i pumpen



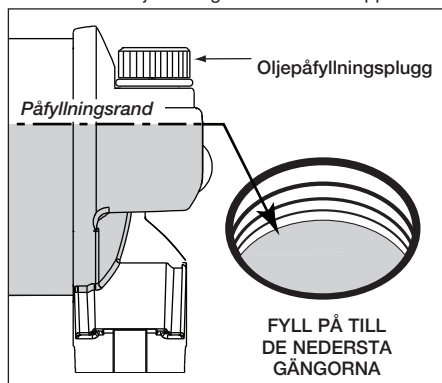
VARNING! Fyll alltid på olja med cylindrarna helt tillbakadragna (utskjutna om de är dragcylindrar) annars fylls systemet med mer olja än behållaren rymmer.

Kontrollera oljenivån regelbundet och fyll på olja vid behov. Följ stegen nedan:

1. Placera pumpen i vågrätt läge på en jämn yta.
2. Ta bort oljepåfyllningspluggen från behållaren.
3. Kontrollera oljenivån Se Figur 16. Om oljenivån är låg, fyll på olja tills oljenivån når till den nedersta gången på oljepåfyllningspluggens öppning.

VIKTIGT! Fyll inte på för mycket. Visst luftutrymme måste finnas i behållaren för att pumpen ska fungera riktigt. Om behållaren innehåller för mycket olja formas ett vakuum som hindrar oljeflöde när pumpen används.

4. Sätt tillbaka oljepåfyllningspluggen efter påfyllning av olja. Kontrollera att plugg sitter ordentligt fast (inte är lös).
5. Avlufta systemet efter behov. Se avsnitt 6.0. Kontrollera oljenivån igen efter att du släppt ut luft.



Figur 16, Behållarens oljenivå



VARNING! Pumpens oljepåfyllningsplugg innehåller en inbyggd tryckavlastningspassage, en säkerhetsfunktion som förhindrar övertryck i behållaren. Använd endast oljepåfyllningspluggen som medföljer pumpen eller en äkta Enerpac ersättningsplugg med identiska specifikationer.



VARNING! Försök aldrig returnera mer olja i behållaren än den rymmer.

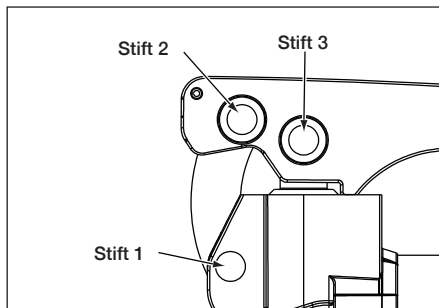
9.2 Byta olja

Tappa ur all olja ur behållaren och fyll på med ren Enerpac-olja en gång om året. Om pumpen används i smutsig miljö, byt olja oftare.

1. Ta bort oljepåfyllningspluggen från behållaren.
 2. Luta pumpen för att tappa ur gammal olja.
- VIKTIGT!** Kassera använd olja i enlighet med lokala bestämmelser.
3. Fyll behållaren med ny Enerpac-olja. Ytterligare information finns i avsnitt 9.1.
 4. Sätt tillbaka oljepåfyllningspluggen.

9.3 Smörjning

Smörj de tre stiften på pumphandtaget regelbundet med rullagerfett för att förlänga pumpens livslängd och förbättra prestanda. Se Figur 17.



Figur 17, Smörjpunkter

9.4 Hålla oljeledningarna rena

Installera alltid dammskydd när kopplingshalvorna är losskopplade. För att förhindra att det uppstår fel i pumpen och andra komponenter, vidtag alla försiktighetsåtgärder för att skydda systemet mot smuts och andra främmande föremål.

10.0 FELSÖKNING

Informationen i felsökningsguiden (se tabell 3) är endast avsedd som ett stöd för att hjälpa till att diagnostisera och rätta till vissa problem som kan uppstå.

Ett systemfel kanske eller kanske inte är ett resultat av ett pumpfel. För att fastställa orsaken till problemet måste hela systemet inkluderas i alla diagnostikprocedurer.

För reparationservice kontakta ditt lokala auktoriserade Enerpac-servicecenter. Endast ett auktoriserat Enerpac-servicecenter ska serva pumpen eller systemets komponenter.

Tabell 3, Felsökning - ULTIMA-seriens handpumpar

Problem	Trolig orsak	Lösning
Cylindern rör sig inte framåt, rör sig långsamt framåt, eller rör sig oregelbundet framåt.	<ol style="list-style-type: none"> 1. Låg oljenivå i pumpbehållaren. 2. Avlastningsventilen öppen eller inte helt stängd. 3. Säkerhetsventilen inställd för lågt. 4. Hydraulkopplingen är inte korrekt ansluten. 5. Lasten är för tung. 6. Luft instängd i systemet. 7. Behållaren överfull. 8. Cylinderns kolv kärvar. 	<ol style="list-style-type: none"> 1. Fyll på olja enligt instruktionerna i avsnitt 9.1. 2. Stäng avlastningsventilen. 3. Ställ in säkerhetsventilens tryck enligt instruktionerna i avsnitt 7.0. 4. Kontrollera att alla kopplingar är ordentligt åtdragna. 5. Försök inte lyfta mer än märkt vikt 6. Avlufta enligt instruktionerna i avsnitt 6.0. 7. Ta bort överskottsolja från behållaren. Obs! Om cylindern fungerar normalt när pumpens oljepåfyllningsplugg lossas kan behållaren vara överfull med olja. 8. Kontrollera att cylindern inte är skadad. Låt cylindern få service av ett auktoriserat Enerpac-servicecenter.
Cylindern rör sig framåt men håller inte trycket.	<ol style="list-style-type: none"> 1. Läckande anslutning. 2. Läckande tätningar. 3. Internt läckage i pumpen. 4. Förbikopplingsventilen är för lågt inställd. (Modeller P-77, P-80, P-801 och P-84) 	<ol style="list-style-type: none"> 1. Kontrollera att alla anslutningar är åtdragna och inte läcker. 2. Leta reda på läckorna och låt utrustningen servas av ett auktoriserat Enerpac-servicecenter. 3. Låt pumpen få service av ett auktoriserat Enerpac-servicecenter. 4. Låt ett auktoriserat Enerpac-servicecenter justera förbikopplingsventilens inställning.
Cylindern dras inte tillbaka, dras delvis tillbaka, eller dras tillbaka långsammare än normalt.	<ol style="list-style-type: none"> 1. Avlastningsventilen stängd. 2. Behållaren överfull. 3. Hydraulkopplingen är inte korrekt ansluten. 4. Luft instängd i systemet. 5. Slangens innerdiameter för smal. 6. Cylinderns tillbakadragningsfjäder trasig eller annan skada på cylindern. 7. Ventil i ledning stängd. 	<ol style="list-style-type: none"> 1. Öppna avlastningsventilen. 2. Ta bort överskottsolja från behållaren. Obs! Om cylindern fungerar normalt när pumpens oljepåfyllningsplugg lossas kan behållaren vara överfull med olja. 3. Kontrollera att alla kopplingar är ordentligt åtdragna. 4. Avlufta enligt instruktionerna i avsnitt 6.0. 5. Använd hydraulslang med större diameter. 6. Låt cylindern få service av ett auktoriserat Enerpac-servicecenter. 7. Se till att ventiler i ledningar (om de används) är korrekt inställda.

Obs! Hitta närmaste auktoriserade Enerpac-servicecentret genom att gå till www.enerpac.com.

L3070 Rev. F 03/17

Списки запасных частей для этого изделия имеются на сайте www.enerpac.com компании Enerpac либо в ближайшем к вам ее сервисном центре или коммерческом представительстве.

1.0 ВАЖНЫЕ УКАЗАНИЯ ПРИ ПОЛУЧЕНИИ ИЗДЕЛИЯ

Визуально осмотрите все компоненты на предмет повреждения при доставке. На повреждения, полученные при доставке, гарантия не распространяется. Если таковое обнаружится, немедленно известите об этом транспортную компанию. Транспортная фирма несет ответственность по стоимости за весь ремонт и замену товара, поврежденного при транспортировке.

БЕЗОПАСНОСТЬ – ПРЕЖДЕ ВСЕГО!

2.0 ВОПРОСЫ БЕЗОПАСНОСТИ



Внимательно прочитайте все инструкции, предупреждения и предостережения. Следуйте всем мерам безопасности во избежание травм или повреждения имущества во время работы. Enerpac не может нести ответственность за повреждение имущества или травмы, происшедшие в результате не соблюдения требований безопасности при эксплуатации изделий, недостаточного технического обслуживания или неправильного применения оборудования. Если имеются сомнения, касающиеся вопросов безопасности или применения оборудования, обращайтесь в компанию Enerpac. Если вы никогда не проходили обучение правилам техники безопасности при работе с гидравлическим оборудованием высокого давления, обратитесь в оптовую базу или сервисный центр компании Enerpac, чтобы пройти такое обучение бесплатно.

Несоблюдение требований следующих предостережений и предупреждений может привести к травмам персонала и повреждению оборудования.

Надпись «**ОСТОРОЖНО!**» используется для указания на правильные методы работы или выполнения технического обслуживания, чтобы избежать повреждения или разрушения оборудования или другого имущества.

Надпись «**ПРЕДУПРЕЖДЕНИЕ**» указывает на возможную опасность, требующую точного соблюдения правил эксплуатации и техники безопасности для избежания травмы.

Надпись «**ОПАСНО!**» используется только тогда, когда ваши действия или бездействие могут привести к получению тяжелой травмы или даже смерти.



ПРЕДУПРЕЖДЕНИЕ. При работе с гидравлическим оборудованием носите специальные средства индивидуальной защиты.



ПРЕДУПРЕЖДЕНИЕ. Не стойте под грузами, поддерживаемыми гидравлическими устройствами. Цилиндр, используемый как подъемное устройство, не должен использоваться для удержания груза. После поднятия или опускания груза он должен фиксироваться с помощью механических устройств.



ПРЕДУПРЕЖДЕНИЕ. ДЛЯ ФИКСАЦИИ ГРУЗОВ ПОЛЬЗУЙТЕСЬ ТОЛЬКО ЖЕСТКИМИ ПРЕДМЕТАМИ. Тщательно выбирайте стальные или деревянные подкладки, способные удержать груз. Не используйте гидравлический цилиндр в качестве прокладки или распорки при подъеме или сжатии груза.



ОПАСНО! Чтобы избежать травмы, не прикасайтесь к цилиндру и изделию руками и ногами во время работы.



ПРЕДУПРЕЖДЕНИЕ. Не превышайте паспортных данных оборудования. Не пытайтесь поднять груз, вес которого превышает грузоподъемность цилиндра. Перегрузка оборудования приводит к выходу его из строя и травмам. Данные цилиндры рассчитаны на давление не более 700 бар (10 000 psi). Не подсоединяйте подъемник или цилиндр к насосу с более высоким давлением.



ПРЕДУПРЕЖДЕНИЕ. Запрещено задавать для предохранительного клапана давление срабатывания более 725 бар [10500 фунтов на кв. дюйм]. Превышение максимального допустимого предела может привести к серьезным травмам. Кроме того, возможно повреждение насоса и его компонентов.



ПРЕДУПРЕЖДЕНИЕ. Рабочее давление системы не должно превышать номинальное давление компонента системы, имеющего минимальное номинальное давление. Для контроля рабочего давления установите в системе манометры. Это ваше окно, через которое вы наблюдаете, что происходит в системе.



ВНИМАНИЕ! Не допускайте повреждения гидравлического шланга. При прокладке гидравлических шлангов не допускайте изгибов под острым углом и петель. Использование изогнутого или петлеобразного шланга приведет к

значительному противодавлению. Изгибы под острым углом и петли приводят к повреждению внутренней поверхности шланга и преждевременному выходу его из строя.



Не допускайте падения на шланг тяжелых предметов. Сильные удары могут привести к повреждению внутренних проволочных жил шланга. Подача давления в поврежденный шланг может привести к его разрыву.



ЭТО ВАЖНО! Не поднимайте гидравлическое оборудование за шланги или вертлюжные соединения. Пользуйтесь рукоятками, предназначенными для переноски, или другими средствами безопасной транспортировки.



ВНИМАНИЕ! Не допускайте воздействия на гидравлическое оборудование пламени и тепла. Чрезмерный нагрев приведет к размягчению сальников и уплотнений и последующим утечкам жидкости. Кроме того, при нагреве материал шлангов и сальники становятся менее прочными. Для обеспечения оптимального режима работы не допускайте нагрева оборудования до температуры 65 °C (150 °F) и выше. Предохраняйте шланги и цилиндры от брызг металла при сварке.



ОПАСНО! Не перемещайте шланги, находящиеся под давлением. Масло, вытекающее под давлением, может прорвать

кожу и привести к тяжелым травмам. Если под кожу попало масло, немедленно обратитесь к врачу.



ПРЕДУПРЕЖДЕНИЕ. Пользуйтесь только гидравлическими цилиндрами, подключенными к системе. Не пользуйтесь цилиндрами с отсоединенными соединительными муфтами.

При чрезмерной нагрузке цилиндра может произойти катастрофическое разрушение его компонентов, приводящее к тяжелым травмам.



ПРЕДУПРЕЖДЕНИЕ. ПЕРЕД ПОДЪЕМОМ ГРУЗА УБЕДИТЕСЬ, ЧТО УСТРОЙСТВО НАХОДИТСЯ В УСТОЙЧИВОМ СОСТОЯНИИ. Цилиндры должны быть расположены на плоской поверхности, способной выдержать вес груза. Если это возможно, используйте для

повышения устойчивости основание цилиндра. Не пользуйтесь сваркой и не изменяйте конструкцию цилиндра для крепления основания или другой опоры.



Избегайте ситуаций, при которых нагрузка приложена не по оси плунжера цилиндра. Приложенные не по оси нагрузки вызывают значительные напряжения в цилиндрах и плунжерах. Кроме того, груз может соскользнуть или упасть, что может привести к опасным последствиям.



Равномерно распределяйте нагрузку по всей поверхности опоры. Для предохранения плунжера всегда используйте пятую.

3.0 ИНФОРМАЦИЯ ОБ ИЗДЕЛИИ

Таблица 1 – спецификации ручных насосов серии ULTIMA

Модель насоса	Тип насоса (скорость)	Макс. расчетное давление бар [фунт на кв. дюйм]		Объем масла за один ход см ³ [дюйм ³]		Полезный объем масла см ³ [дюйм ³]	Вес с маслом кг [фунты]	Макс. усилие на рукоятке кг [фунты]
		Ступень 1	Ступень 2	Ступень 1	Ступень 2			
P-18	1	—	200 [2 850]	—	2,46 [0,15]	360 [22]	5,0 [11,0]	16 [36]
P-39	1	—	700 [10 000]	—	2,46 [0,15]	769 [47]	6,2 [13,6]	38 [85]
P-77	2	34 [500]	700 [10 000]	16,38 [1,00]	2,46 [0,15]	769 [47]	7,1 [15,6]	40 [88]
P-80	2	34 [500]	700 [10 000]	16,38 [1,00]	2,46 [0,15]	2195 [134]	10,7 [23,6]	35 [77]
P-801	2	34 [500]	700 [10 000]	16,38 [1,00]	2,46 [0,15]	4095 [250]	14,0 [31,0]	35 [77]
P-84	2	34 [500]	700 [10 000]	16,38 [1,00]	2,46 [0,15]	2195 [134]	11,7 [26,0]	35 [77]

Таблица 2 – основные узлы и механизмы ручных насосов серии ULTIMA

Узел (местоположения узлов см. на рисунках 1-4)	Модель насоса					
	P-18	P-39	P-77	P-80	P-801	P-84
A	Выпускной клапан	Выпускной клапан	Выпускной клапан	Выпускной клапан	Выпускной клапан	4-ходовой, 3-позиционный распределительный клапан
B	Одно выпускное отверстие с внутренней НТР 3/8 дюйма	Одно выпускное отверстие с внутренней НТР 3/8 дюйма	Одно выпускное отверстие с внутренней НТР 3/8 дюйма	Одно выпускное отверстие с внутренней НТР 3/8 дюйма	Одно выпускное отверстие с внутренней НТР 3/8 дюйма	Два выпускных отверстия с внутренней НТР 3/8 дюйма
C	Пробка масляной горловины	Пробка масляной горловины	Пробка масляной горловины	Пробка масляной горловины	Пробка масляной горловины	Пробка масляной горловины
D	Монтажные гнезда	Монтажные гнезда	Монтажные гнезда	Монтажные гнезда	Монтажные гнезда	Монтажные гнезда
E	Регулируемый пользователем предохранительный клапан	Регулируемый пользователем предохранительный клапан	Регулируемый пользователем предохранительный клапан	Регулируемый пользователем предохранительный клапан	Регулируемый пользователем предохранительный клапан	Регулируемый пользователем предохранительный клапан
F	—	—	—	Отверстие возврата в бак, внутренняя НТР 3/8 дюйма	Отверстие возврата в бак, внутренняя НТР 3/8 дюйма	—
G	—	—	Перепускной клапан	Перепускной клапан	Перепускной клапан	Перепускной клапан



ЭТО ВАЖНО! Обслуживание гидравлического оборудования должно выполняться только квалифицированным специалистом по гидравлике. Для выполнения ремонта обратитесь в сервисный центр ENERPAC. Чтобы сохранить право на гарантию, используйте только масло ENERPAC.



ПРЕДУПРЕЖДЕНИЕ. Изношенные или поврежденные части должны немедленно заменяться частями от компании-изготовителя ENERPAC. Части обычного качества выйдут из строя, нанося травмы и повреждая имущество. Части от компании ENERPAC правильно устанавливаются и выдерживают большие нагрузки.



ПРЕДОСТЕРЕЖЕНИЕ. Для переноски насоса всегда используйте подъемную/транспортную ручку. Переноска насоса за шланг может повредить шланг и/или насос.

3.1 Основные узлы и механизмы насосов

Расположение основных узлов и механизмов насосов см. на рисунках с 1 по 4. Описания узлов А - G см. в таблице 2.

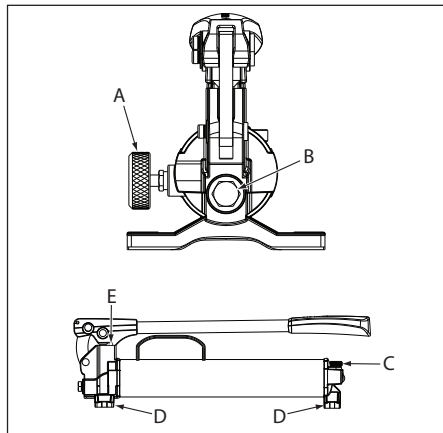


Рисунок 1 – модели P-18 и P-39.

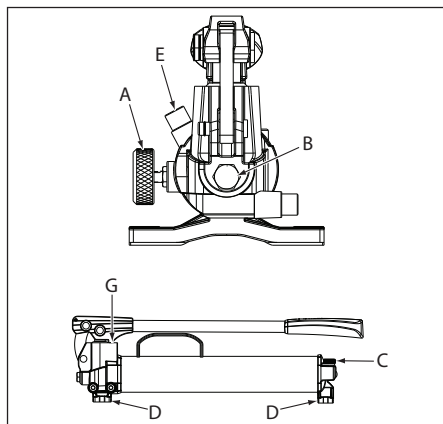


Рисунок 2 – модель P-77.

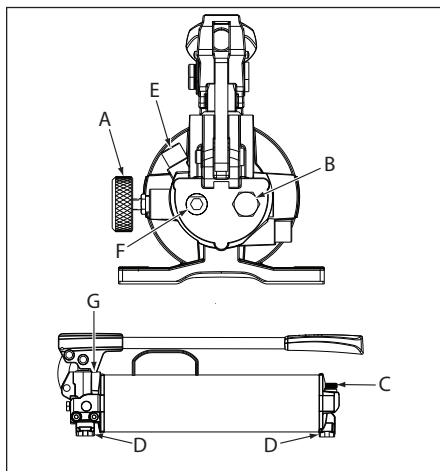


Рисунок 3 – модели P-80 и P-801.

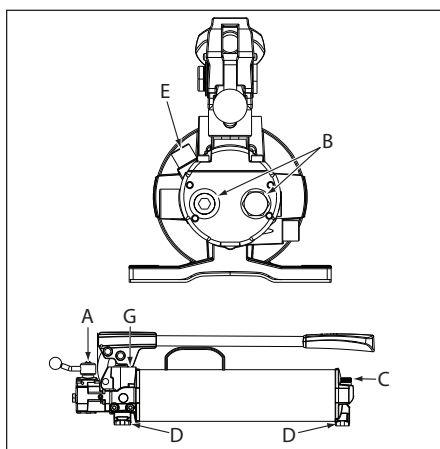


Рисунок 4 – модель P-84.

4.0 МОНТАЖ

4.1 Подсоединение насоса

1. Снимите транспортную заглушку (заглушки) с выпускного канала (каналов).
2. Настройте предохранительный клапан на требуемый в гидравлической системе предел давления. См. Инструкции в разделе 7.0.
3. Подсоедините к насосу шланг(и). Для герметизации резьбовых соединений используйте анаэробный трубный герметик, пасту Teflon® или ленту Teflon®.

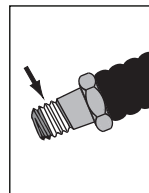


Рисунок 6

ВАЖНАЯ ИНФОРМАЦИЯ. Накладывая ленту Teflon®, оставьте свободным один виток резьбы со стороны фитинга, чтобы не допустить попадания ленты в гидравлическую систему. См. рисунок 6.

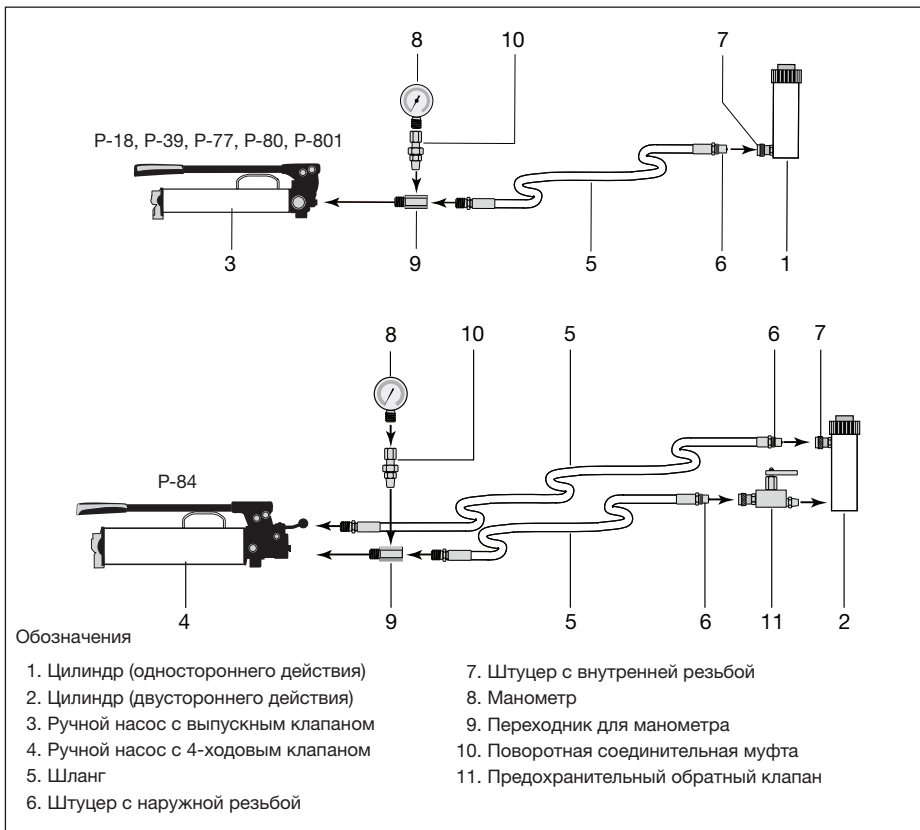


Рисунок 5 – гидравлические соединения (типичные).

- В целях повешения безопасности и улучшения контроля, в нагнетательную линию насоса установите манометр.
- Подсоедините шланг(и) к вашему цилиндру или механизму.

- В случае цилиндра одностороннего действия, подсоедините к нему один шланг от насоса.
- В случае цилиндра двустороннего действия, подсоедините к нему два шланга. Одним шлангом соедините отверстие (А) насоса с портом выдвижения штока цилиндра. Вторым шлангом соедините отверстие (В) насоса с портом втягивания штока цилиндра.

Нижеследующее относится только к моделям P-80 и P-801. Если в системе используется редукционный клапан, подсоедините его отверстие для слива в бак к предназначенному для слива в бак каналу насоса.

Примечание. Показанные на рисунке 5 цилиндры, шланги и принадлежности продаются отдельно и в комплект насоса не входят. Подробное описание имеющихся в наличии компонентов и принадлежностей см. в каталоге компании Enerpac. Набор необходимых компонентов зависит от конкретной системы, способа ее применения и других факторов.

4.2 Вентиляция насоса

Ручные насосы серии ULTIMA предназначены для работы в неvented режиме. В случае необходимости выпустить воздух из системы, можно слегка отвернуть пробку маслоналивной горловины, но перед использованием насоса пробку необходимо полностью завернуть.

ВАЖНАЯ ИНФОРМАЦИЯ. Во избежание загрязнения гидравлической системы, не используйте насос с ослабленной или снятой пробкой маслоналивной горловины.

4.3 Положение насоса

Насос можно эксплуатировать как в горизонтальном, так и в вертикальном положении. См. рисунок 7.

При эксплуатации в вертикальном положении шланговый конец насоса должен быть направлен вниз, в противном случае насос будет захватывать воздух, и не сможет создавать требуемое давление.

Примечание. Насос не предназначен для использования в перевернутом (вверх дном) положении.

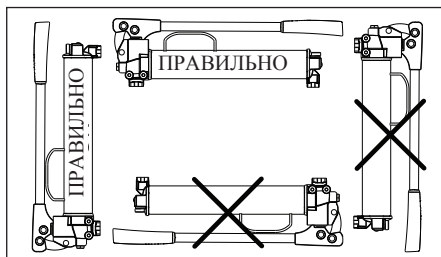


Рисунок 7 – пространственная ориентация насоса.

5.0 ЭКСПЛУАТАЦИЯ.

5.1 Перед использованием насоса.

1. Проверьте надежность и герметичность всех фитингов и соединений системы.
2. Проверьте уровень масла в баке; если требуется, долейте масло. См. инструкции в разделе 9.1.
3. Перед эксплуатацией насоса прочтите и усвойте следующие положения техники безопасности.



ПРЕДУПРЕЖДЕНИЕ. В определенных ситуациях рукоятка насоса может “дать отдачу”. Всегда держитесь сбоку от насоса, в сторону от направления действия его рукоятки.



ПРЕДУПРЕЖДЕНИЕ. Привод в действие рабочей рукоятки насоса, держа кисти и пальцы рук вне зоны защемления, находящейся между рабочей и подъемной/транспортной рукояткой насоса.



ПРЕДОСТЕРЕЖЕНИЕ. Перед приведением в действие рабочей рукоятки насоса обязательно снимите транспортную заглушку (заглушки) с выпускного канала (каналов) насоса. Не снятая, с приведенного в действие насоса, транспортная заглушка может быть с большой силой вытолкнута из отверстия и причинить телесные повреждения.



ПРЕДОСТЕРЕЖЕНИЕ. Запрещается использовать удлинители для рукоятки. Это ведет к неустойчивой работе насоса.



ПРЕДОСТЕРЕЖЕНИЕ. Во избежание механических повреждений насоса, не тяните на себя рукоятку, достигшую конца ее рабочего хода. Не прикладывайте к рукоятке боковые усилия.

ВАЖНАЯ ИНФОРМАЦИЯ. Чтобы снизить усилие на рукоятке при высоком давлении, используйте короткие рабочие ходы. Максимальное усилие получается на последних 5 градусах рабочего хода.

5.2 Двухступенчатый поток.

Модели P-77, P-80, P-801 и P-84

В двухступенчатых насосах используется двухступенчатый поток. Без нагрузки работает первая ступень насоса, создавая поток большой интенсивности, с целью быстрого выдвигания штока цилиндра. В момент контакта с нагрузкой, насос автоматически переходит на использование второй ступени, с целью создания требуемого давления. После перехода для накачивания требуется меньшее усилие.

Примечание. Для достижения наилучшей производительности в режиме интенсивного потока на первой ступени, работайте рукояткой с умеренной скоростью. Чрезмерно быстрая работа рукояткой в режиме первой ступени не позволяет насосу подавать масло в полном объеме.

5.3 Эксплуатация насоса.

Модели P-18, P-39, P-77, P-80 и P-801.

Все насосы, исключая модель P-84, предназначены для использования с цилиндрами одностороннего действия и оборудованы встроеным выпускным клапаном.

1. Закройте выпускной клапан поворотом ручки по часовой стрелке до упора. См. рисунок 8.



ПРЕДОСТЕРЕЖЕНИЕ. Выпускной клапан закрывайте ТОЛЬКО рукой. Использование инструментов для приведения выпускного клапана в действие может привести к его повреждению и выходу насоса из строя.

2. Работая рукояткой насоса, создайте давление в гидравлической системе. Давление будет сохраняться, пока закрыт выпускной клапан.
3. Поворотом ручки против часовой стрелки откройте выпускной клапан. Произойдет сброс давления, что позволит маслу стечь в бак.

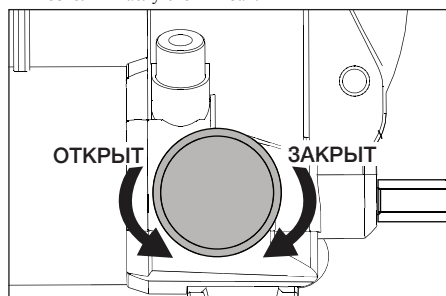


Рисунок 8 – выпускной клапан (все модели, кроме P-84).



ПРЕДОСТЕРЕЖЕНИЕ. Если ручка выпускного клапана поворачивается с трудом, либо заклинена, немедленно прекратите использование насоса. Отправьте насос на проверку и ремонт в авторизованный сервисный центр компании Enerpac.

5.4 Эксплуатация насоса – модель P-84

Модель P-84 оборудована 4-ходовым 3-позиционным распределительным клапаном. Предназначена для работы с цилиндрами двустороннего действия. См. рисунки 9 и 10.

1. Рычагом 4-ходового клапана выберите необходимую функцию:

(А) Поток направляется в канал “А”; канал “В” возвращает поток в бак.

(N) Нейтральное – порты “А” и “В” открыты в бак насоса.

(B) Поток направляется в канал “В”; канал “А” возвращает поток в бак.



ПРЕДУПРЕЖДЕНИЕ. В клапане отсутствует устройство, удерживающее поднятый груз. Обеспечьте поддержку груза с помощью деревянного бруса, механической подставки или другой подходящей опоры, прежде чем перемещать ручку клапана в нейтральное (N) положение.

неподсоединенным, образовавшееся за ним высокое давление может стать причиной травм и/или повреждения оборудования.

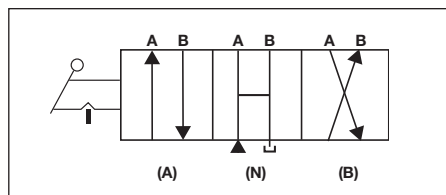


Рисунок 9 – схема 4-ходового клапана (P-84).

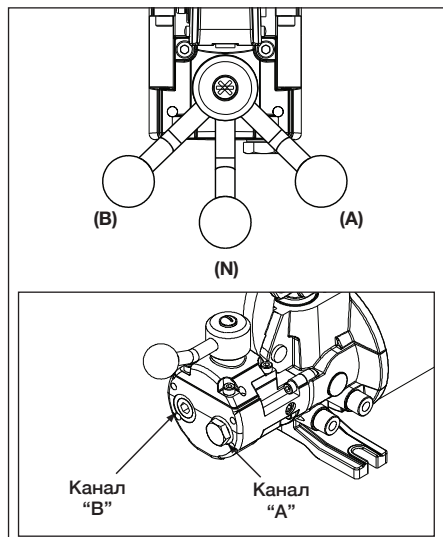


Рисунок 10 – положения рычага распределительного клапана и шланговые соединения (P-84).

2. Приведите насос в действие для выполнения требуемой работы.
3. Установите рычаг клапана в требуемое положение.



ПРЕДУПРЕЖДЕНИЕ. Приводите цилиндр двустороннего действия в работу только при обоих подсоединенных к насосу шлангах. Если один из штуцеров останется

6.0 УДАЛЕНИЕ ВОЗДУХА.

Удаление воздуха из гидравлической системы способствует плавному выдвиганию и втягиванию штока цилиндра.

6.1. Насос с цилиндром одностороннего действия.

1. Перед выполнением нижеследующих операций отверните и удалите пробку маслониливной горловины (с целью вентиляции бака).
2. Полностью закройте выпускной клапан.
3. Установите насос в горизонтальное положение, выше цилиндра. См. рисунок 11.
4. Установите цилиндр плунжером вниз (в случае тягового цилиндра).
5. Работая рукояткой насоса, полностью выдвиньте шток цилиндра (в случае тягового цилиндра – втяните).
6. Откройте выпускной клапан, чтобы втянуть шток цилиндра (в случае тягового цилиндра – выдвинуть). Это вытолкнет захваченный системой воздух в бак насоса.
7. При необходимости, повторяйте пункты 2 - 6 до тех пор, пока работа цилиндра не станет плавной.
8. При необходимости, долейте масло. См. раздел 9.1.
9. Установите на место пробку маслониливной горловины.

6.2 Насос с цилиндром двустороннего действия.

1. С целью вентиляции бачка при выполнении следующих операций, на несколько оборотов выверните пробку маслониливной горловины.
2. Установите насос в горизонтальное положение, выше цилиндра. См. рисунок 11.
3. Установите цилиндр в горизонтальное положение, отверстиями вверх.
4. 2 - 3 раза полностью выдвиньте и вдвиньте шток цилиндра.
5. При необходимости, повторяйте пункты 2 - 4 до тех пор, пока работа цилиндра не станет плавной.
6. При необходимости, долейте масло. См. раздел 9.1.
7. Установите на место пробку маслониливной горловины.

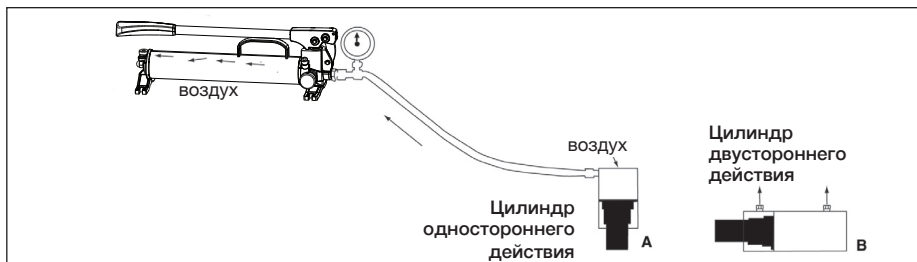


Рисунок 11 – удаление воздуха.

7.0 РЕГУЛИРОВКА ПРЕДОХРАНИТЕЛЬНОГО КЛАПАНА

1. **Все модели, кроме P-84:** В выходном канале гидравлической системы насоса установите манометр с диапазоном 0-1000 бар [0-15000 фунтов на кв. дюйм]. Закройте выпускной клапан (поверните его ручку по часовой стрелке до упора).
2. **Только для модели P-84:** в канале "А" насоса установите манометр с диапазоном 0-1000 бар [0-15000 фунтов на кв. дюйм]. В порт "В" насоса установите трубную заглушку. Установите рычаг распределительного клапана в положение (А).
3. Шестигранным торцевым гаечным ключом на 1/4 дюйма отверните пылезащитную заглушку гнезда регулировочного винта предохранительного клапана.
 - В моделях P-18 и P-39 предохранительный клапан находится на верхней стороне головки насоса. См. рисунок 12.
 - В моделях P-77, P-80, P-801 и P-84 предохранительный клапан находится на боковой стороне головки насоса. См. рисунок 13.

Примечание. Чтобы точно настроить установку в ходе выполнения следующих операций, сначала обязательно снизьте давление до значения, меньшего требуемой окончательной установки, а затем медленно повышайте давление, пока оно не достигнет значения окончательной установки.

4. Шестигранным торцевым гаечным ключом на 7/32 дюйма отверните регулировочный винт предохранительного клапана, приблизительно, на 2 оборота. См. рисунок 14.
5. Работая рукояткой насоса, медленно поворачивайте регулировочный винт предохранительного клапана по часовой стрелке, пока давление не достигнет требуемого значения. Установка достигается тогда, когда дальнейшее накачивание не дает повышения давления (показания манометра).

ПРЕДУПРЕЖДЕНИЕ. Запрещено задавать для предохранительного клапана давление срабатывания более 725 бар [10500 фунтов на кв. дюйм]. Превышение максимального допустимого предела может привести к серьезным травмам. Кроме того, возможно повреждение насоса и его компонентов.

6. **Все модели, кроме P-84:** Произведя требуемую установку, поворотом ручки выпускного клапана против часовой стрелки, сбросьте давление из системы. Убедитесь в том, что манометр показывает 0 (ноль) бар/фунтов на кв. дюйм.
7. **Только для модели P-84:** Произведя требуемую установку, перемещением рукоятки распределительного клапана в нейтральное (N) положение, сбросьте давление из системы. Убедитесь в том, что манометр показывает 0 (ноль) бар/фунтов на кв. дюйм.
8. **Все модели, кроме P-84:** Снимите манометр с выходного канала гидравлической системы насоса. Заверните пылезащитную заглушку в гнездо регулировочного винта предохранительного клапана.
9. **Только для модели P-84:** Снимите манометр с канала "А" насоса. Удалите трубную заглушку

из канала "В" насоса. Заверните пылезащитную заглушку в гнездо регулировочного винта предохранительного клапана.

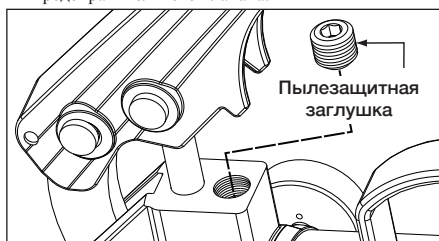


Рисунок 12 – предохранительный клапан (P-18 и P-39).



Рисунок 13 – предохранительный клапан (P-77, P-80, P-801 и P-84).

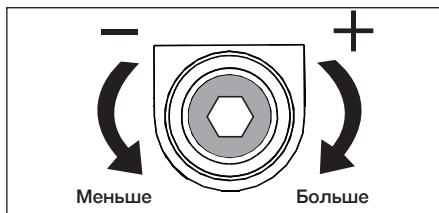


Рисунок 14 – регулировочный винт предохранительного клапана.

8.0 РЕГУЛИРОВКА ПЕРЕПУСКНОГО КЛАПАНА МОДЕЛИ P-77, P-80, P-801 И P-84

Перепускной клапан определяет давление, при котором двухскоростной насос переключается с первого контура на второй. См. рисунок 15.

Перепускной клапан настроен на заводе и не требует регулировки, за исключением случаев ремонта насоса. При необходимости, регулировку следует выполнять только в авторизованном сервисном центре компании Enerpac.



Рисунок 15 – перепускной клапан (P-77, P-80, P-801 и P-84).

9.0 ТЕХНИЧЕСКОЕ ОБСЛУЖИВАНИЕ

С целью продления срока службы насоса и сохранения гарантийных обязательств, используйте только гидравлическое масло Енергас. Для некоторых моделей ручных насосов в наличии имеются комплекты уплотнений из материала Viton и из этиленпропиленового каучука. Дополнительные сведения об этих изделиях и их применении можно получить в региональном представительстве компании Енергас.

9.1 Доливка масла в насос



ПРЕДУПРЕЖДЕНИЕ. Масло доливайте только при полностью втянутом (в случае тягового цилиндра – выдвинутом) штоке цилиндра, иначе в систему будет залито больше масла, чем способен вместить бак.

Регулярно проверяйте уровень и, при необходимости, доливайте масло. Методика проверки уровня и доливки масла:

1. Поместите насос горизонтально на ровную горизонтальную поверхность.
2. Удалите пробку маслониливной горловины бака.
3. Проверьте уровень масла. См. рисунок 16. В случае низкого уровня масла, пополните его запас до нижнего витка резьбы маслониливной горловины.

ВАЖНАЯ ИНФОРМАЦИЯ. Не превышайте указанный уровень масла! Для нормальной работы в бачке должен иметься некоторый воздушный зазор. При чрезмерно большом объеме масла в бачке, в нем будет образовываться вакуум, препятствующий работе насоса.

4. Долив масло, закройте маслониливную горловину пробкой. Плотно (без слабину) заверните пробку.
5. При необходимости, удалите из системы воздух. См. раздел 6.0. Удалил воздух, повторно проверьте уровень масла.

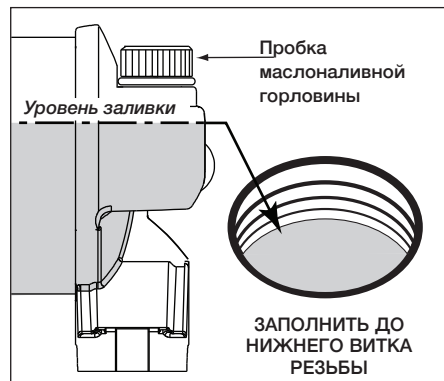


Рисунок 16 – уровень масла в бачке.



ПРЕДУПРЕЖДЕНИЕ. Для предотвращения превышения допустимого давления в бачке в пробку маслониливной горловины встроены разгрузочный канал. Используйте для маслониливной горловины только пробку, поставляемую вместе с насосом, либо оригинальную сменную пробку Енергас с идентичными характеристиками.



ПРЕДУПРЕЖДЕНИЕ. Никогда не пытайтесь вернуть в бак больше масла, чем он может вместить.

9.2 Замена масла

Каждые 12 месяцев сливайте масло из бака и заполняйте его свежим маслом Енергас. Если насос эксплуатируется в условиях сильного загрязнения, замените масло чаще.

1. Удалите пробку маслониливной горловины бака.
2. Наклонив насос, слейте отработанное масло.

ВАЖНАЯ ИНФОРМАЦИЯ. Утилизируйте отработанное масло в соответствии с действующим законодательством.

3. Заполните бак свежим маслом Енергас. Дополнительные сведения см. в разделе 9.1.
4. Установите на место пробку маслониливной горловины.

9.3 Смазка

С целью продления срока службы и улучшения производительности регулярно смазывайте три пальца рукоятки смазкой для роликовых подшипников. См. рисунок 17.

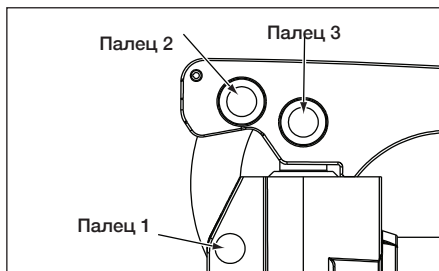


Рисунок 17 – точки смазки

9.4 Содержание трубопроводов гидравлической системы в чистоте

Разъединив соединения, обязательно закройте штуцеры гидравлической системы пылезащитными колпачками. Во избежание отказа насоса и других узлов, принимайте все меры к защите системы от проникновения в нее грязи и посторонних веществ.

10.0 РУКОВОДСТВО ПО ПОИСКУ И УСТРАНЕНИЮ НЕИСПРАВНОСТЕЙ

Сведения в руководстве по поиску и устранению неисправностей (см. таблицу 3) предназначены только для оказания помощи в диагностике и устранении некоторых потенциальных проблем.

Отказ системы может быть, а может и не быть, связанным неисправностью насоса. Для определения причины неисправности любая диагностическая процедура должна содержать функцию анализа всей системы.

Для выполнения ремонта обращайтесь в авторизованный региональный сервисный центр Енергас. Обслуживание насоса или компонентов системы допускается только в авторизованном сервисном центре Енергас.

**Таблица 3 – руководство по поиску и устранению неисправностей
ручных насосов серии ULTIMA**

Неисправность	Возможная причина	Способ устранения
Шток цилиндра не выдвигается, либо выдвигается медленно или рывками.	<ol style="list-style-type: none"> 1. Низкий уровень масла в масляном баке. 2. Открыт либо не полностью закрыт выпускной клапан. 3. Недопустимо низкая установка предохранительного клапана. 4. Неправильно выполнено гидравлическое соединение. 5. Недопустимо большая нагрузка. 6. Воздух в гидравлической системе. 7. Бачок переполнен. 8. Заедание плунжера цилиндра. 	<ol style="list-style-type: none"> 1. Долейте масло в соответствии с инструкциями раздела 9.1. 2. Закройте выпускной клапан. 3. Проведите установку предохранительного клапана в соответствии с инструкциями раздела 7.0. 4. Проверьте надежность затяжки всех соединений. 5. Не пытайтесь поднять груз, превышающий номинальный тоннаж. 6. Удалите воздух в соответствии с инструкциями раздела 6.0. 7. Удалите избыток масла из бачка. <p>Примечание. Если цилиндр работает нормально при ослабленной пробке маслосливной горловины, возможно, бак переполнен.</p> <ol style="list-style-type: none"> 8. Проверьте цилиндр на предмет обнаружения повреждений. Передайте цилиндр на обслуживание в авторизованный сервисный центр Енергас.
Цилиндр выдвигается, но не держит давление.	<ol style="list-style-type: none"> 1. Негерметичное соединение. 2. Протекают уплотнения. 3. Внутренняя утечка в насосе. 4. Недопустимо низкая у установка перепускного клапана (модели P-77, P-80, P-801 и P-84). 	<ol style="list-style-type: none"> 1. Проверьте все соединения на предмет герметичности и обнаружения утечек. 2. Отыщите утечку (утечки) и передайте оборудование на обслуживание в авторизованный сервисный центр Енергас. 3. Передайте насос на обслуживание в авторизованный сервисный центр Енергас. 4. Обратитесь в авторизованный сервисный центр Енергас по вопросу регулировки установки перепускного клапана.
Шток цилиндра не втягивается, втягивается частично либо медленнее нормального.	<ol style="list-style-type: none"> 1. Закрыт выпускной клапан. 2. Бачок переполнен. 3. Неправильно выполнено гидравлическое соединение. 4. Воздух в гидравлической системе. 5. Недопустимо малый внутренний диаметр шланга. 6. Сломана втягивающая пружина, либо имеет место иное повреждение цилиндра. 7. Закрыт встроенный клапан. 	<ol style="list-style-type: none"> 1. Откройте выпускной клапан. 2. Удалите избыток масла из бачка. <p>Примечание. Если цилиндр работает нормально при ослабленной пробке маслосливной горловины, возможно, бак переполнен.</p> <ol style="list-style-type: none"> 3. Проверьте надежность затяжки всех соединений. 4. Удалите воздух в соответствии с инструкциями раздела 6.0. 5. Используйте гидравлический шланг большего диаметра. 6. Передайте цилиндр на обслуживание в авторизованный сервисный центр Енергас. 7. Проверьте правильность установки встроенного клапана (если таковой используется).

Примечание. Местонахождение ближайшего авторизованного сервисного центра Енергас см. по адресу www.enerpac.com.

L3070 Rev. F 03/17

Τα φύλλα ανταλλακτικών επισκευών (Repair Parts Sheets) για το προϊόν αυτό διατίθενται από το διαδικτυακό τόπο της Enerpac στη διεύθυνση www.enerpac.com ή από το πλησιέστερό σας Εξουσιοδοτημένο κέντρο σέρβις της Enerpac ή γραφείο πωλήσεων Enerpac.

1.0 ΣΗΜΑΝΤΙΚΕΣ ΟΔΗΓΙΕΣ ΠΑΡΑΛΑΒΗΣ

Επιθεωρήστε οπτικά όλα τα δομικά στοιχεία για τυχόν ζημιές από τη μεταφορά. Οι ζημιές από τη μεταφορά δεν καλύπτονται από την εγγύηση. Αν βρεθεί ζημιά από τη μεταφορά, ειδοποιήστε αμέσως το μεταφορέα. Ο μεταφορέας είναι υπεύθυνος για όλες τις δαπάνες επισκευής και αντικατάστασης που προκύπτουν από ζημιές από τη μεταφορά.

Η ΑΣΦΑΛΕΙΑ ΠΡΟΗΓΕΙΤΑΙ

2.0 ΘΕΜΑΤΑ ΑΣΦΑΛΕΙΑΣ



Διαβάστε προσεκτικά όλες τις οδηγίες, προειδοποιήσεις και επισημάνσεις προσοχής. Τηρείτε

όλα τα προληπτικά μέτρα ασφαλείας για να αποφύγετε τραυματισμό ή υλική ζημιά κατά τη λειτουργία του συστήματος. Η Enerpac δεν μπορεί να είναι υπεύθυνη για οποιαδήποτε ζημιά ή τραυματισμό προκύψει από μη ασφαλή χρήση του προϊόντος, έλλειψη συντήρησης ή λανθασμένο χειρισμό προϊόντος και/ή συστήματος. Επικοινωνήστε με την Enerpac σε περίπτωση αμφιβολίας ως προς τα προληπτικά μέτρα ασφαλείας και τους χειρισμούς. Αν δεν έχετε ποτέ εκπαιδευτεί στην ασφάλεια υδραυλικών συστημάτων υψηλής πίεσης, επικοινωνήστε με τον τοπικό σας διανομέα ή το τοπικό κέντρο σέρβις για δωρεάν σεμινάριο ασφαλείας υδραυλικών συστημάτων από την Enerpac.

Μη τήρηση των κατωτέρω επισημάνσεων προσοχής και προειδοποιήσεων θα μπορούσε να προκαλέσει ζημιά στον εξοπλισμό και τραυματισμό ατόμων.

Μια επισήμανση με τη λέξη **ΠΡΟΣΟΧΗ** χρησιμοποιείται για να δείξει σωστές διαδικασίες και πρακτικές χειρισμού ή συντήρησης ώστε να προληφθεί ζημιά ή και καταστροφή του εξοπλισμού ή άλλων περιουσιακών στοιχείων.

Μια **ΠΡΟΕΙΔΟΠΟΙΗΣΗ** επισημαίνει έναν ενδεχόμενο κίνδυνο ο οποίος απαιτεί σωστές διαδικασίες ή πρακτικές για την αποφυγή τραυματισμού ατόμων.

Μια επισήμανση με τη λέξη **ΚΙΝΔΥΝΟΣ** χρησιμοποιείται μόνον όταν κάποια ενέργειά σας ή απουσία ενέργειάς σας μπορεί να προκαλέσει σοβαρό τραυματισμό ή και θάνατο.



ΠΡΟΕΙΔΟΠΟΙΗΣΗ: Φοράτε σωστό εξοπλισμό ατομικής προστασίας όταν χειρίζεστε υδραυλικό εξοπλισμό.



ΠΡΟΕΙΔΟΠΟΙΗΣΗ: Διατηρείτε απόσταση ασφαλείας από φορτία τα οποία υποστηρίζονται από υδραυλικό σύστημα.

Ένας κύλινδρος, όταν χρησιμοποιείται ως διάταξη ανύψωσης φορτίου, δεν θα πρέπει ποτέ να χρησιμοποιείται ως διάταξη συγκράτησης φορτίου. Μετά την ανύψωσή του ή το χαμηλώμα του, το φορτίο πρέπει πάντα να ασφαρίζεται μηχανικά.



ΠΡΟΕΙΔΟΠΟΙΗΣΗ: ΧΡΗΣΙΜΟΠΟΙΕΙΤΕ ΜΟΝΟ ΣΤΑΘΕΡΑ ΤΜΗΜΑΤΑ ΓΙΑ ΤΗ ΣΥΓΚΡΑΤΗΣΗ ΦΟΡΤΙΩΝ. Επιλέγετε

προσεκτικά χαλύβδινα ή ξύλινα τμήματα που έχουν την ικανότητα υποστήριξης του φορτίου. Ποτέ μη χρησιμοποιήσετε υδραυλικό κύλινδρο ως διάταξη σφήνωσης ή ως αποστάθι σε οποιαδήποτε εφαρμογή ανύψωσης ή συμπίεσης.



ΚΙΝΔΥΝΟΣ: Για να αποφύγετε τραυματισμό διατηρείτε τα χέρια και τα πόδια μακριά από τον κύλινδρο και το τεμάχιο εργασίας κατά τη διάρκεια των χειρισμών.



ΠΡΟΕΙΔΟΠΟΙΗΣΗ: Μην υπερβείτε τις ονομαστικές τιμές δυναμικότητας του εξοπλισμού. Ποτέ μην προσπαθήσετε να ανυψώσετε φορτίο το οποίο ζυγίζει περισσότερο από την ανυψωτική ικανότητα του κυλίνδρου. Η υπερφόρτωση προκαλεί βλάβη του εξοπλισμού και ενδεχομένως τραυματισμό ατόμων. Οι κύλινδροι είναι σχεδιασμένοι για μέγιστη πίεση 700 bar [10.000 psi]. Μη συνδέσετε γρύλο ή κύλινδρο σε αντλία με υψηλότερη ονομαστική τιμή πίεσης.



ΚΙΝΔΥΝΟΣ: Ποτέ μη ρυθμίσετε τη βαλβίδα ανακούφισης σε πίεση υψηλότερη από τη μέγιστη ονομαστική πίεση της αντλίας. Οι υψηλότερες ρυθμίσεις μπορεί να έχουν ως αποτέλεσμα ζημιά στον εξοπλισμό και/ή

τραυματισμό ατόμων. Μην αφαιρέσετε τη βαλβίδα ανακούφισης.



ΠΡΟΕΙΔΟΠΟΙΗΣΗ: Η πίεση λειτουργίας του συστήματος δεν πρέπει να υπερβεί την ονομαστική τιμή πίεσης του εξαρτήματος με τη μικρότερη ονομαστική τιμή πίεσης στο σύστημα. Τοποθετήστε όργανα ένδειξης πίεσης στο σύστημα για να παρακολουθείτε την πίεση λειτουργίας. Αυτά είναι το παράθυρό σας σε ότι συμβαίνει μέσα στο σύστημα.



ΠΡΟΣΟΧΗ: Αποφύγετε την πρόκληση ζημιάς σε εύκαμπτο υδραυλικό σωλήνα. Αποφύγετε απότομες κυρτώσεις και τσακίσματα κατά τη δρομολόγηση εύκαμπτων υδραυλικών σωλήνων. Η χρήση απότομα κυρτωμένου ή τσακισμένου εύκαμπτου σωλήνα θα προκαλέσει πολύ έντονη πίεση αντίθλιψης. Οι απότομες κυρτώσεις και τα τσακίσματα θα προκαλέσουν εσωτερική ζημιά στον εύκαμπτο σωλήνα με αποτέλεσμα πρόωρη βλάβη του.



Μη ρίχνετε βαριά αντικείμενα πάνω στον εύκαμπτο σωλήνα. Ένα απότομο χτύπημα μπορεί να προκαλέσει εσωτερική ζημιά στους συρμάτινους κλώνους του εύκαμπτου σωλήνα. Η εφαρμογή πίεσης σε έναν εύκαμπτο σωλήνα που έχει υποστεί ζημιά μπορεί να προκαλέσει τη θραύση του.



ΣΗΜΑΝΤΙΚΟ: Μην ανυψώνετε υδραυλικό εξοπλισμό από τους εύκαμπτους σωλήνες ή τους περιστρεφόμενους συζεύκτες. Χρησιμοποιείτε τη λαβή μεταφοράς ή άλλα μέσα ασφαλούς μεταφοράς.



ΠΡΟΣΟΧΗ: Κρατάτε τον υδραυλικό εξοπλισμό μακριά από φλόγες και θερμότητα. Η υπερβολική θερμότητα θα μαλακώσει τα παρεμβύσματα και τις στεγανοποιήσεις, με αποτέλεσμα διαρροές του υγρού. Η θερμότητα επίσης εξασθενεί τα υλικά των εύκαμπτων σωλήνων και τα παρεμβύσματα. Για βέλτιστη απόδοση μην εκθέσετε τον εξοπλισμό σε θερμοκρασίες πάνω από 65 °C [150 °F]. Προστατεύετε τους εύκαμπτους σωλήνες και τους κυλίνδρους από πιτσιλιές συγκόλλησης.



ΚΙΝΔΥΝΟΣ: Μη χειρίζεστε εύκαμπτους σωλήνες υπό πίεση. Λάδι που τυχόν διαφύγει υπό πίεση μπορεί να διεισδύσει στο δέρμα, προκαλώντας σοβαρό τραυματισμό. Αν εισχωρήσει λάδι κάτω από το δέρμα, δείτε άμεσα γιατρό.



ΠΡΟΕΙΔΟΠΟΙΗΣΗ: Χρησιμοποιείτε υδραυλικούς κυλίνδρους μόνο σε συζευγμένο σύστημα. Ποτέ μη χρησιμοποιείτε έναν κύλινδρο με μη συνδεδεμένους συζεύκτες. Αν ο κύλινδρος υπερφορτωθεί εξαιρετικά, τα δομικά του στοιχεία μπορεί να υποστούν καταστροφική βλάβη και να προκληθεί σοβαρότατος τραυματισμός ατόμων.



ΠΡΟΕΙΔΟΠΟΙΗΣΗ: ΠΡΙΝ ΤΗΝ ΑΝΥΨΩΣΗ ΦΟΡΤΙΟΥ ΝΑ ΒΕΒΑΙΩΝΕΣΤΕ ΟΤΙ Η ΕΓΚΑΤΑΣΤΑΣΗ ΕΙΝΑΙ ΕΥΣΤΑΘΗΣ.

Οι κύλινδροι θα πρέπει να τοποθετηθούν σε επίπεδη επιφάνεια που μπορεί να υποστηρίξει το φορτίο. Όπου αυτό έχει εφαρμογή, χρησιμοποιήστε μια βάση κυλίνδρου για πρόσθετη σταθερότητα. Μη συγκολλάτε τον κύλινδρο και μην τον τροποποιείτε με άλλο τρόπο για να τοποθετήσετε βάση ή άλλο υποστήριγμα.



Αποφύγετε καταστάσεις όπου τα φορτία δεν είναι απ' ευθείας κεντραρισμένα στο έμβολο του κυλίνδρου. Τα εκτός κέντρου φορτία προκαλούν άσκοπη καταπόνηση στους κυλίνδρους και τα έμβολα. Επιπλέον, το φορτίο μπορεί να γλιστρήσει ή να πέσει, με πιθανόν επικίνδυνες συνέπειες.



Κατανέμετε το φορτίο ομοιόμορφα σε όλη την επιφάνεια της έδρας στήριξης φορτίου. Πάντα χρησιμοποιείτε έδρα στήριξης φορτίου για την προστασία του εμβόλου.



ΣΗΜΑΝΤΙΚΟ: Το σέρβις στον υδραυλικό εξοπλισμό πρέπει να διενεργείται μόνον από εξειδικευμένο τεχνικό υδραυλικών συστημάτων. Για υπηρεσίες επισκευών, επικοινωνήστε με το τοπικό σας Εξουσιοδοτημένο κέντρο σέρβις της ENERPAC. Για προστασία της εγγυήσής σας, χρησιμοποιείτε μόνο λάδι ENERPAC.



ΠΡΟΕΙΔΟΠΟΙΗΣΗ: Αντικαθιστάτε άμεσα με γνήσια ανταλλακτικά ENERPAC τα εξαρτήματα που έχουν φθαρεί ή υποστεί ζημιά. Τα ανταλλακτικά συνηθισμένης ποιότητας του εμπορίου θα σπάσουν προκαλώντας τραυματισμό ατόμων και υλικές ζημιές. Τα ανταλλακτικά ENERPAC έχουν σχεδιαστεί ώστε να ταιριάζουν σωστά και να αντέχουν υψηλά φορτία.



ΠΡΟΣΟΧΗ: Για να μεταφέρετε την αντλία χρησιμοποιείτε πάντοτε τη λαβή ανύψωσης/ μεταφοράς. Η μεταφορά της αντλίας από τον ελαστικό σωλήνα ενδέχεται να προκαλέσει ζημιά στον ελαστικό σωλήνα ή/και την αντλία.

3.0 ΠΛΗΡΟΦΟΡΙΕΣ ΠΟΥ ΑΦΟΡΟΥΝ ΤΟ ΠΡΟΪΟΝ

Πίνακας 1, Τεχνικές προδιαγραφές – Χειραντλίες σειράς ULTIMA

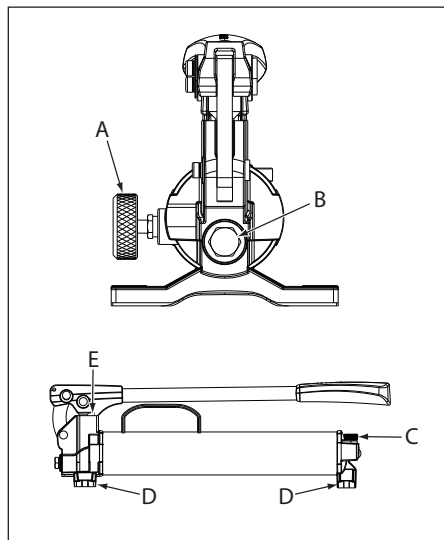
Μοντέλο αντλίας	Τύπος αντλίας (Ταχύτητα)	Μέγ. ονομαστική πίεση		Εκτόπιση λαδιού ανά εμβολισμό		Χωρητικότητα λαδιού	Βάρος με λάδι	Μέγ. προσπάθεια λαβής
		bar [psi]		cm ³ [in ³]				
		Στάδιο 1	Στάδιο 2	Στάδιο 1	Στάδιο 2	cm ³ [in ³]	kg [lbs]	kg [lbs]
P-18	1	—	200 [2 850]	—	2,46 [0,15]	360 [22]	5,0 [11,0]	16 [36]
P-39	1	—	700 [10 000]	—	2,46 [0,15]	769 [47]	6,2 [13,6]	38 [85]
P-77	2	34 [500]	700 [10 000]	16,38 [1,00]	2,46 [0,15]	769 [47]	7,1 [15,6]	40 [88]
P-80	2	34 [500]	700 [10 000]	16,38 [1,00]	2,46 [0,15]	2195 [134]	10,7 [23,6]	35 [77]
P-801	2	34 [500]	700 [10 000]	16,38 [1,00]	2,46 [0,15]	4095 [250]	14,0 [31,0]	35 [77]
P-84	2	34 [500]	700 [10 000]	16,38 [1,00]	2,46 [0,15]	2195 [134]	11,7 [26,0]	35 [77]

Πίνακας 2, Χαρακτηριστικά και κύρια εξαρτήματα – Χειραντλίες σειράς ULTIMA

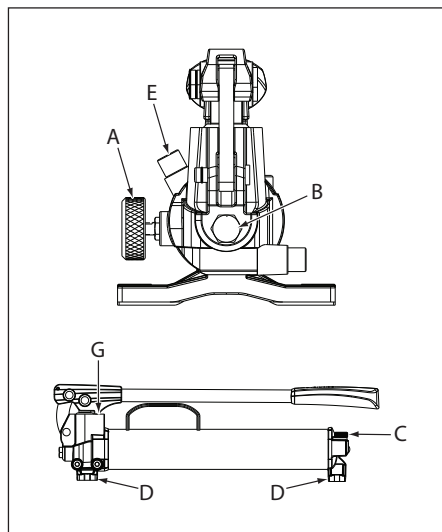
Εξάρτημα (βλ. εικόνες 1 έως 4 για τις θέσεις των εξαρτημάτων)	Μοντέλο αντλίας					
	P-18	P-39	P-77	P-80	P-801	P-84
A	Βαλβίδα απελευθέρωσης πίεσης	Βαλβίδα απελευθέρωσης πίεσης	Βαλβίδα απελευθέρωσης πίεσης	Βαλβίδα απελευθέρωσης πίεσης	Βαλβίδα απελευθέρωσης πίεσης	Βαλβίδα απελευθέρωσης πίεσης
B	Μία θύρα εξόδου 3/8" NPTF	Μία θύρα εξόδου 3/8" NPTF	Μία θύρα εξόδου 3/8" NPTF	Μία θύρα εξόδου 3/8" NPTF	Μία θύρα εξόδου 3/8" NPTF	Δύο θύρες εξόδου 3/8" NPTF
C	Τάπα πλήρωσης λαδιού	Τάπα πλήρωσης λαδιού	Τάπα πλήρωσης λαδιού	Τάπα πλήρωσης λαδιού	Τάπα πλήρωσης λαδιού	Τάπα πλήρωσης λαδιού
D	Υποδοχές στερέωσης	Υποδοχές στερέωσης	Υποδοχές στερέωσης	Υποδοχές στερέωσης	Υποδοχές στερέωσης	Υποδοχές στερέωσης
E	Βαλβίδα εκτόνωσης ρυθμιζόμενη από το χρήστη	Βαλβίδα εκτόνωσης ρυθμιζόμενη από το χρήστη	Βαλβίδα εκτόνωσης ρυθμιζόμενη από το χρήστη	Βαλβίδα εκτόνωσης ρυθμιζόμενη από το χρήστη	Βαλβίδα εκτόνωσης ρυθμιζόμενη από το χρήστη	Βαλβίδα εκτόνωσης ρυθμιζόμενη από το χρήστη
F	—	—	—	Θύρα επιστροφής προς το δοχείο 3/8" NPTF	Θύρα επιστροφής προς το δοχείο 3/8" NPTF	—
G	—	—	Βαλβίδα παράκαμψης	Βαλβίδα παράκαμψης	Βαλβίδα παράκαμψης	Βαλβίδα παράκαμψης

3.1 Χαρακτηριστικά και κύρια εξαρτήματα αντλίας

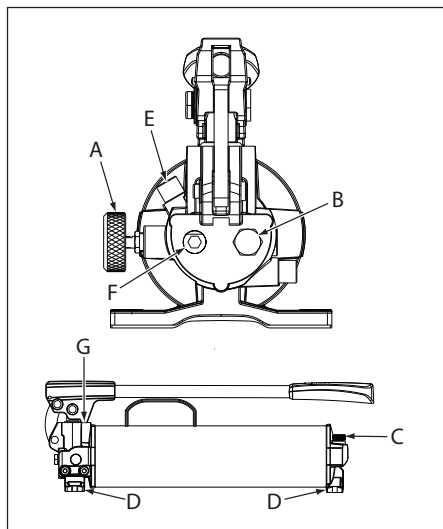
Για τις θέσεις των χαρακτηριστικών και των κύριων εξαρτημάτων της αντλίας βλ. εικόνες 1 έως 4. Ανατρέξτε στον πίνακα 2 για περιγραφές των εξαρτημάτων Α έως G.



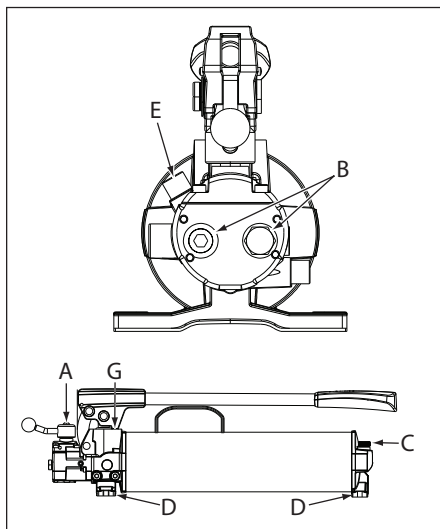
Εικόνα 1, Μοντέλα P-18 και P-39



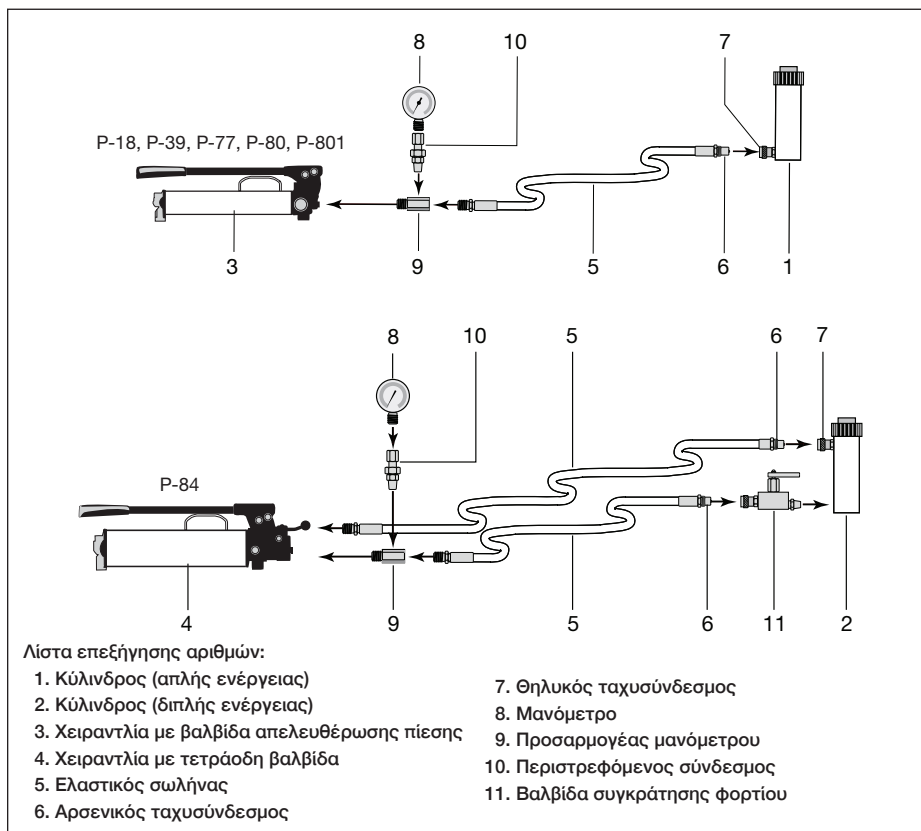
Εικόνα 2, Μοντέλο P-77



Εικόνα 3, Μοντέλα P-80 και P-801



Εικόνα 4, Μοντέλο P-84

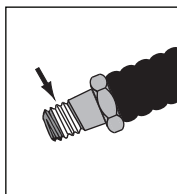


Εικόνα 5, Υδραυλικές συνδέσεις (τυπικές)

4.0 ΕΓΚΑΤΑΣΤΑΣΗ

4.1 Σύνδεση της αντλίας

1. Αφαιρέστε το πώμα ή τα πώματα αποστολής από τη θύρα ή τις θύρες εξόδου της αντλίας.
2. Ρυθμίστε τη βαλβίδα εκτόνωσης στο επιθυμητό όριο υδραυλικής πίεσης. Βλ. την ενότητα 7.0 για οδηγίες.
3. Συνδέστε τον ελαστικό σωλήνα ή τους ελαστικούς σωλήνες στην αντλία. Για να στεγανοποιήσετε τα σπειρώματα, χρησιμοποιήστε αναερόβιο στεγανωτικό σπειρωμάτων, κόλλα Teflon® ή ταινία Teflon®.



Εικόνα 6

ΣΗΜΑΝΤΙΚΟ: Όταν χρησιμοποιείτε ταινία Teflon®,

μην τοποθετήσετε ταινία στην πρώτη σπείρα του εξαρτήματος σύνδεσης, ώστε να μην εισέλθουν τεμάχια ταινίας μέσα στο υδραυλικό σύστημα. Βλ. εικόνα 6.

4. Τοποθετήστε ένα μανόμετρο σε σειρά από την αντλία για πρόσθετη ασφάλεια και καλύτερο έλεγχο.

5. Συνδέστε τον ελαστικό σωλήνα ή τους ελαστικούς σωλήνες στον κύλινδρο ή το εργαλείο που θα χρησιμοποιήσετε.

- Για κύλινδρους απλής ενέργειας, συνδέστε έναν ελαστικό σωλήνα από την αντλία στον κύλινδρο.

- Για κύλινδρους διπλής ενέργειας, συνδέστε δύο ελαστικούς σωλήνες. Συνδέστε έναν ελαστικό σωλήνα από τη θύρα (A) της αντλίας στη θύρα προώθησης του κυλίνδρου. Συνδέστε έναν δεύτερο ελαστικό σωλήνα από τη θύρα (B) της αντλίας στη θύρα επαναφοράς του κυλίνδρου.

Για τα μοντέλα P-80 και P-801 μόνο: Αν στο κύκλωμα χρησιμοποιείται εξωτερική βαλβίδα μείωσης της πίεσης, συνδέστε τη θύρα του δοχείου της βαλβίδας στη θύρα επιστροφής του δοχείου που βρίσκεται στην αντλία.

Σημείωση: Οι κύλινδροι, οι ελαστικοί σωλήνες και τα βοηθητικά εξαρτήματα που απεικονίζονται στην εικόνα 5 πωλούνται ξεχωριστά και δεν παρέχονται μαζί με την αντλία. Για πλήρη περιγραφή των διαθέσιμων εξαρτημάτων και βοηθητικών εξαρτημάτων ανατρέξτε στον κατάλογο της Enerpac. Τα ακριβή εξαρτήματα που απαιτούνται για το δικό σας σύστημα ποικίλουν ανάλογα με την εφαρμογή και άλλους παράγοντες.

4.2 Εξαερισμός της αντλίας

Οι χειραντλίες της σειράς ULTIMA είναι σχεδιασμένες για λειτουργία χωρίς εξαερισμό. Αν χρειάζεται να απομακρύνετε αέρα από το σύστημα, μπορείτε να λασκάρτε την τάπα πλήρωσης λαδιού, αλλά θα πρέπει να την τοποθετήσετε οπωσδήποτε σωστά στη θέση της πριν χρησιμοποιήσετε την αντλία.

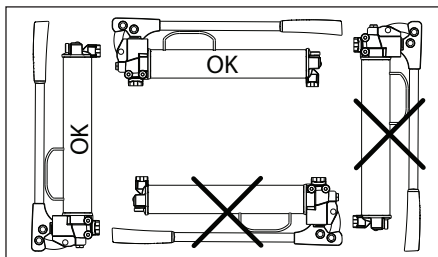
ΣΗΜΑΝΤΙΚΟ: Για να αποφευχθεί η ρύπανση του υδραυλικού συστήματος, μην χρησιμοποιείτε την αντλία αν η τάπα πλήρωσης λαδιού δεν είναι καλά σφισμένη ή έχει αφαιρεθεί.

4.3 Τοποθέτηση της αντλίας

Η αντλία μπορεί να λειτουργήσει είτε σε οριζόντια είτε σε κατακόρυφη θέση. Βλ. εικόνα 7.

Όταν την χρησιμοποιείτε σε κατακόρυφη θέση, το άκρο του ελαστικού σωλήνα της αντλίας πρέπει να είναι στραμμένο προς τα κάτω, διαφορετικά η αντλία θα αναρροφήσει αέρα και δεν θα αναπτύξει σωστά πίεση.

Σημείωση: Η αντλία δεν είναι σχεδιασμένη για χρήση σε ανεστραμμένη θέση.



Εικόνα 7, Προσανατολισμός της αντλίας

5.0 ΛΕΙΤΟΥΡΓΙΑ

5.1 Πριν χρησιμοποιήσετε την αντλία

1. Ελέγξτε όλα τα εξαρτήματα σύνδεσης και τις συνδέσεις του συστήματος για να βεβαιωθείτε ότι είναι καλά σφισμένα και δεν παρουσιάζουν διαρροές.
2. Ελέγξτε τη στάθμη λαδιού στο δοχείο λαδιού και προσθέστε λάδι αν χρειάζεται. Ανατρέξτε στις οδηγίες της ενότητας 9.1.
3. Πριν θέσετε σε λειτουργία την αντλία, διαβάστε και κατανοήστε τις προφυλάξεις που ακολουθούν:



ΠΡΟΕΙΔΟΠΟΙΗΣΗ: Υπό ορισμένες συνθήκες η λαβή της αντλίας μπορεί να “αναπηδήσει”. Φροντίστε να στέκεστε πάντοτε στο πλάι της αντλίας, μακριά από τη ευθεία εφαρμογής δύναμης της λαβής.



ΠΡΟΕΙΔΟΠΟΙΗΣΗ: Κατά το χειρισμό της λαβής της αντλίας, φροντίστε να έχετε τα χέρια και τα δάκτυλά σας μακριά από σημεία που υπάρχει κίνδυνος μαγκώματος ανάμεσα στη λαβή της αντλίας και τη λαβή ανύψωσης/ μεταφοράς.



ΠΡΟΣΟΧΗ: Αφαιρείτε πάντοτε το πώμα ή τα πώματα μεταφοράς από τη θύρα ή τις θύρες εξόδου της αντλίας και αντικαταστήστε τα με κατάλληλα υδραυλικά εξαρτήματα σύνδεσης πριν χρησιμοποιήσετε τη λαβή της αντλίας. Αν χρησιμοποιήσετε τη λαβή της αντλίας με τα πώματα μεταφοράς στη θέση τους, τα πώματα μπορεί να εκτοξευθούν από τις θύρες με μεγάλη δύναμη και πιθανώς να προκαλέσουν τραυματισμό ατόμων.



ΠΡΟΣΟΧΗ: Μην προσθέτετε ποτέ προεκτάσεις στη λαβή της αντλίας. Οι προεκτάσεις προκαλούν ασαφή λειτουργία της αντλίας.



ΠΡΟΣΟΧΗ: Για να αποφευχθεί ενδεχόμενη μηχανική ζημιά, μην τραβάτε τη λαβή της αντλίας αφού του έχει φθάσει στο τέλος της διαδρομής της. Μην εφαρμόζετε πλευρική δύναμη στη λαβή της αντλίας.

ΣΗΜΑΝΤΙΚΟ: Για να μειώσετε την απαιτούμενη προσπάθεια της λαβής σε υψηλές πιέσεις, χρησιμοποιείτε μικρές διαδρομές. Η μέγιστη δύναμη μοχλού επιτυγχάνεται στις τελευταίες 5 μοίρες της διαδρομής.

5.2 Ροή δύο σταδίων

Μοντέλα P-77, P-80, P-801 και P-84

Οι αντλίες δύο ταχυτήτων παρέχουν ροή δύο σταδίων. Χωρίς φορτίο, η αντλία λειτουργεί στο πρώτο στάδιο υψηλής ροής για γρήγορη προώθηση. Μόλις έρθει σε επαφή με φορτίο, η αντλία περνά αυτόματα στο δεύτερο στάδιο για να αναπτύξει πίεση. Μετά την αλλαγή σταδίου της αντλίας, απαιτείται μικρότερη προσπάθεια για την άντληση.

Σημείωση: Για βέλτιστη απόδοση, ο χειρισμός της λαβής της αντλίας πρέπει να γίνεται σε μεσαία ταχύτητα κατά τη διάρκεια του πρώτου σταδίου υψηλής ροής. Ο χειρισμός της λαβής σε υψηλή ταχύτητα κατά το πρώτο στάδιο δεν θα επιτρέψει στην αντλία να παράσχει πλήρη όγκο λαδιού.

5.3 Λειτουργία της αντλίας

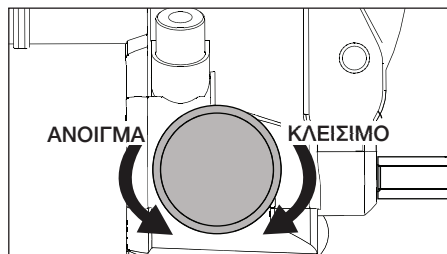
Μοντέλα P-18, P-39, P-77, P-80 και P-801

Όλα τα μοντέλα αντλιών εκτός από το P-84 είναι σχεδιασμένα για χρήση σε συνδυασμό με κυλινδρικού απλής ενέργειας και είναι εξοπλισμένα με ενσωματωμένη βαλβίδα απελευθέρωσης πίεσης.

1. Κλείστε τη βαλβίδα απελευθέρωσης πίεσης γυρίζοντας το κουμπί δεξιόστροφα μέχρι να σταματήσει. Βλ. εικόνα 8.



ΠΡΟΣΟΧΗ: Κλείστε τη βαλβίδα απελευθέρωσης πίεσης σφίγγοντάς την ΜΟΝΟ με το χέρι. Η χρήση εργαλείων για το κλείσιμο ή το άνοιγμα της βαλβίδας απελευθέρωσης πίεσης μπορεί να προκαλέσει ζημιά στη βαλβίδα και δυσλειτουργία στην αντλία.



Εικόνα 8, Βαλβίδα απελευθέρωσης πίεσης (όλα τα μοντέλα εκτός από το P-84)

2. Χρησιμοποιήστε τη λαβή της αντλίας για να τροφοδοτήσετε το σύστημα με υδραυλική ισχύ. Η πίεση θα διατηρηθεί έως ότου ανοίξει η βαλβίδα απελευθέρωσης πίεσης.

3. Ανοίξτε τη βαλβίδα απελευθέρωσης πίεσης γυρίζοντας το κουμπί αριστερόστροφα. Έτσι

θα εκτονωθεί πίεση, επιτρέποντας στο λάδι να επιστρέψει στο δοχείο.



ΠΡΟΣΟΧΗ: Αν το κουμπί της βαλβίδας απελευθέρωσης πίεσης γυρίζει δύσκολα ή κολλάει, σταματήστε αμέσως τη χρήση της αντλίας. Αναθέστε τον έλεγχο και την επισκευή της αντλίας σε εξουσιοδοτημένο κέντρο σέρβις της Enerpac.

5.4 Λειτουργία αντλίας - Μοντέλο P-84

Το μοντέλο P-84 είναι εξοπλισμένο με τετράοδη βαλβίδα ελέγχου 3 θέσεων. Είναι σχεδιασμένο για χρήση με κυλινδρικού διπλής ενέργειας. Βλ. εικόνες 9 και 10.

1. Τοποθετήστε το μοχλό πάνω στην τετράοδη βαλβίδα για να επιλέξετε λειτουργία όπως περιγράφεται παρακάτω:

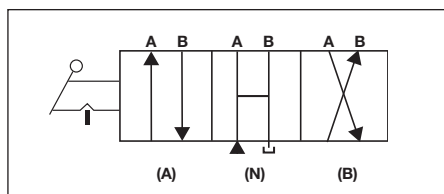
(A) Η ροή κατευθύνεται προς τη θύρα "Α", η θύρα "Β" επιστρέφει τη ροή στο δοχείο λαδιού.

(N) Νεκρό – Οι θύρες "Α" και "Β" ανοίγουν προς το δοχείο λαδιού.

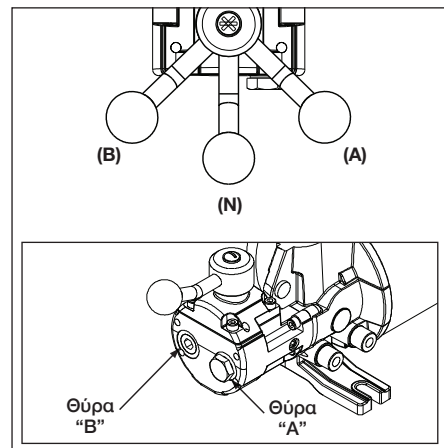
(B) Η ροή κατευθύνεται προς τη θύρα "Β", η θύρα "Α" επιστρέφει τη ροή στο δοχείο λαδιού.



ΠΡΟΕΙΔΟΠΟΙΗΣΗ: Η βαλβίδα δεν διαθέτει συσκευή συγκράτησης φορτίου. Βεβαιωθείτε ότι το φορτίο στηρίζεται με σανίδες, μηχανικά καβαλέτα ή άλλα κατάλληλα στηρίγματα πριν μετακινήσετε το μοχλό της βαλβίδας στη θέση Νεκρό (N).



Εικόνα 9, Διάγραμμα τετράοδης βαλβίδας (P-84)



Εικόνα 10, Θέσεις μοχλού βαλβίδας ελέγχου και συνδέσεις ελαστικού σωλήνα (P-84)

2. Θέστε σε λειτουργία την αντλία για να εκτελέσετε την εργασία σας.
 3. Αλλάξτε τις θέσεις της βαλβίδας όπως απαιτείται.
- ΠΡΟΕΙΔΟΠΟΙΗΣΗ:** Χρησιμοποιείτε τον κύλινδρο διπλής ενέργειας μόνο όταν και οι δύο ελαστικοί σωλήνες είναι συνδεδεμένοι στην αντλία. Αν ένας ταχυσύνδεσμος έχει μείνει αποσυνδεδεμένος, θα αναπτυχθεί υψηλή πίεση πίσω από τον ταχυσύνδεσμο, η οποία θα μπορούσε να προκαλέσει τραυματισμό ατόμων ή/και ζημιά στον εξοπλισμό.



ΠΡΟΕΙΔΟΠΟΙΗΣΗ: Χρησιμοποιείτε τον κύλινδρο διπλής ενέργειας μόνο όταν και οι δύο ελαστικοί σωλήνες είναι συνδεδεμένοι στην αντλία. Αν ένας ταχυσύνδεσμος έχει μείνει αποσυνδεδεμένος, θα αναπτυχθεί υψηλή πίεση πίσω από τον ταχυσύνδεσμο, η οποία θα μπορούσε να προκαλέσει τραυματισμό ατόμων ή/και ζημιά στον εξοπλισμό.

6.0 ΑΠΟΜΑΚΡΥΝΣΗ ΑΕΡΑ

Η απομάκρυνση αέρα από το υδραυλικό σύστημα συντελεί στην ομαλή προώθηση και επαναφορά του κυλίνδρου.

6.1 Αντλία με κύλινδρο απλής ενέργειας

1. Λασκάρετε και αφαιρέστε την τάπα πλήρωσης λαδιού, ώστε να εξαεριστεί το δοχείο λαδιού και εκτελέστε τα βήματα που ακολουθούν.
2. Κλείστε εντελώς τη βαλβίδα απελευθέρωσης πίεσης.
3. Τοποθετήστε την αντλία σε οριζόντια θέση και σε σημείο τέτοιο ώστε να βρίσκεται ψηλότερα από τον κύλινδρο. Βλ. εικόνα 11.
4. Τοποθετήστε τον κύλινδρο με το άκρο του εμβόλου προς τα κάτω (προς τα πάνω αν χρησιμοποιείτε κύλινδρο έλξης).
5. Λειτουργήστε την αντλία για να εκτείνετε πλήρως τον κύλινδρο (να τον συμπιύξετε αν χρησιμοποιείτε κύλινδρο έλξης).
6. Ανοίξτε τη βαλβίδα απελευθέρωσης πίεσης για να συμπιύξετε τον κύλινδρο (να τον εκτείνετε αν χρησιμοποιείτε κύλινδρο έλξης). Αυτό θα εξαναγκάσει τον παγιδευμένο αέρα να μετακινηθεί προς τα πάνω προς το δοχείο λαδιού της αντλίας.
7. Επαναλάβετε τα βήματα 2 έως 6 αν χρειάζεται, έως ότου επιτευχθεί η ομαλή λειτουργία του κυλίνδρου.
8. Προσθέστε λάδι αν απαιτείται. Βλ. ενότητα 9.1.
9. Τοποθετήστε την τάπα πλήρωσης λαδιού στη θέση της.

6.2 Αντλία με κύλινδρο διπλής ενέργειας

1. Λασκάρετε την τάπα πλήρωσης λαδιού κατά μερικές περιστροφές για να εξαεριστεί το δοχείο λαδιού και εκτελέστε τα βήματα που ακολουθούν.
2. Τοποθετήστε την αντλία σε οριζόντια θέση και σε σημείο τέτοιο ώστε να βρίσκεται ψηλότερα από τον κύλινδρο. Βλ. εικόνα 11.

3. Τοποθετήστε τον κύλινδρο σε οριζόντια θέση με τις θύρες προς τα πάνω.
4. Εκτείνετε και συμπιύξετε πλήρως τον κύλινδρο 2 με 3 φορές.
5. Επαναλάβετε τα βήματα 2 έως 4 αν χρειάζεται, έως ότου επιτευχθεί η ομαλή λειτουργία του κυλίνδρου.
6. Προσθέστε λάδι αν απαιτείται. Βλ. ενότητα 9.1.
7. Τοποθετήστε την τάπα πλήρωσης λαδιού στη θέση της.

7.0 ΡΥΘΜΙΣΗ ΒΑΛΒΙΔΑΣ ΕΚΤΩΝΩΣΗΣ

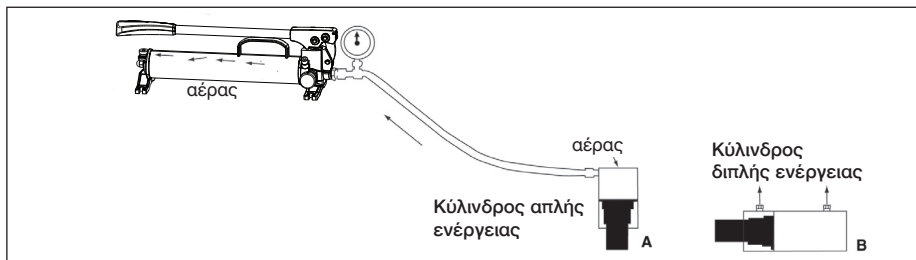
1. **Όλα τα μοντέλα εκτός από το P-84:** Τοποθετήστε ένα μανόμετρο 0-1000 bar [0-15.000 psi] στη θύρα εξόδου λαδιού της αντλίας. Κλείστε τη βαλβίδα απελευθέρωσης πίεσης (γυρίστε το κουμπί εντελώς δεξιόστροφα μέχρι να σταματήσει).
2. **Μοντέλο P-84 μόνο:** τοποθετήστε ένα μανόμετρο 0-1000 bar [0-15.000 psi] στη θύρα "Α" της αντλίας. Τοποθετήστε ένα πώμα σωλήνα στη θύρα "Β" της αντλίας. Μετακινήστε το μοχλό της βαλβίδας ελέγχου στη θέση (Α).
3. Με ένα κλειδί Allen 1/4", αφαιρέστε το πώμα προστασίας από σκόνη πάνω από τη βίδα ρύθμισης της βαλβίδας εκτόνωσης.
 - Στα μοντέλα P-18 και P-39, η βαλβίδα εκτόνωσης βρίσκεται στην πάνω επιφάνεια της κεφαλής της αντλίας. Βλ. εικόνα 12.
 - Στα μοντέλα P-77, P-80, P-801 και P-84, η βαλβίδα εκτόνωσης βρίσκεται στο πλάι της κεφαλής της αντλίας. Βλ. εικόνα 13.

Σημείωση: Για να επιτευχθεί ακριβής ρύθμιση κατά την εκτέλεση των βημάτων που ακολουθούν, μειώνετε πάντοτε την πίεση μέχρι μια τιμή χαμηλότερη από την τελική επιθυμητή ρύθμιση και στη συνέχεια αυξάνετε σταδιακά την πίεση έως ότου επιτευχθεί η τελική ρύθμιση.

4. Με ένα κλειδί Allen 7/32", λασκάρετε τη βίδα ρύθμισης της βαλβίδας εκτόνωσης κατά 2 περιστροφές. Βλ. εικόνα 14.
5. Ενόσω χειρίζεστε τη λαβή της αντλίας, στρέψτε αργά δεξιόστροφα τη βίδα ρύθμισης της βαλβίδας εκτόνωσης έως ότου η πίεση μειωθεί μέχρι την επιθυμητή ρύθμιση. Η τιμή ρύθμισης της πίεσης θα έχει επιτευχθεί όταν ενώ συνεχίζετε την άντληση η πίεση δεν αυξάνεται.



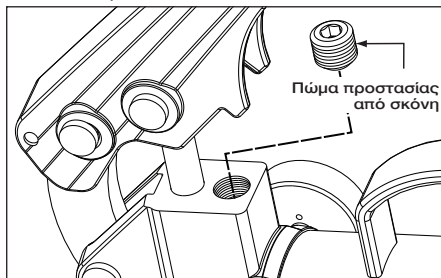
ΠΡΟΕΙΔΟΠΟΙΗΣΗ: Μην ρυθμίζετε ποτέ την πίεση της βαλβίδας εκτόνωσης σε τιμή μεγαλύτερη από 725 bar [10.500 psi]. Η υπέρβαση αυτού του μέγιστου ορίου μπορεί να



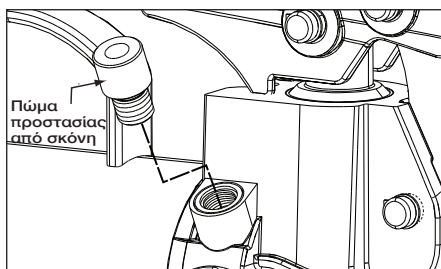
Εικόνα 11, Απομάκρυνση αέρα

οδηγήσει σε σοβαρό τραυματισμό ατόμων. Μπορεί να συμβεί επίσης ζημιά στην αντλία και τα εξαρτήματα.

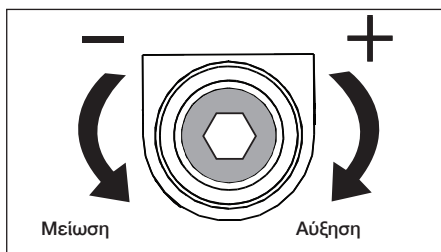
6. **Όλα τα μοντέλα εκτός από το P-84:** Αφού επιτευχθεί η επιθυμητή ρύθμιση, γυρίστε τη βαλβίδα απελευθέρωσης πίεσης αριστερόστροφα για να εκτονωθεί η πίεση του συστήματος. Ελέγξτε αν η ένδειξη στο μανόμετρο είναι μηδέν (0) bar/psi.
7. **Μοντέλο P-84 μόνο:** Αφού επιτευχθεί η επιθυμητή ρύθμιση, μετακινήστε τη λαβή της βαλβίδας στη θέση νεκρό (N) για να εκτονωθεί η πίεση του συστήματος. Ελέγξτε αν η ένδειξη στο μανόμετρο είναι μηδέν (0) bar/psi.
8. **Όλα τα μοντέλα εκτός από το P-84:** Αφαιρέστε το μανόμετρο από τη θύρα εξόδου λαδιού της αντλίας. Επανατοποθετήστε το πώμα προστασίας από σκόνη στη βίδα ρύθμισης της βαλβίδας εκτόνωσης.
9. **Μοντέλο P-84 μόνο:** Αφαιρέστε το μανόμετρο από τη θύρα "A" της αντλίας. Αφαιρέστε το πώμα σωλήνα από τη θύρα "B" της αντλίας. Επανατοποθετήστε το πώμα προστασίας από σκόνη στη βίδα ρύθμισης της βαλβίδας εκτόνωσης.



Εικόνα 12, Βαλβίδα εκτόνωσης (P-18 και P-39)



Εικόνα 13, Βαλβίδα εκτόνωσης (P-77, P-80, P-801 και P-84)

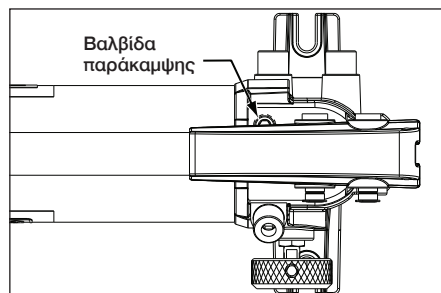


Εικόνα 14, Βίδα ρύθμισης βαλβίδας εκτόνωσης

8.0 ΡΥΘΜΙΣΗ ΒΑΛΒΙΔΑΣ ΠΑΡΑΚΑΜΨΗΣ ΜΟΝΤΕΛΑ P-77, P-80, P-801 και P-84

Η βαλβίδα παράκαμψης ελέγχει την πίεση κατά την οποία μια αντλία δύο ταχυτήτων περνά από το πρώτο στο δεύτερο στάδιο. Βλ. εικόνα 15.

Η βαλβίδα παράκαμψης είναι ρυθμισμένη από το εργοστάσιο και δεν χρειάζεται επαναρύθμιση εκτός εάν η αντλία υποβληθεί σε γενική ή επιμέρους επισκευή. Αν χρειάζεται να γίνει επαναρύθμιση, αναθέστε την σε ένα εξουσιοδοτημένο κέντρο σέρβις της Enerpac.



Εικόνα 15, Βαλβίδα παράκαμψης (P-77, P-80, P-801 και P-84)

9.0 ΣΥΝΤΗΡΗΣΗ

Με την αντλία αυτή χρησιμοποιείτε μόνο υδραυλικό λάδι Enerpac για να εξασφαλίσετε μεγαλύτερη διάρκεια ζωής της αντλίας και να προστατέψετε την εγγύησή σας. Για ορισμένα μοντέλα χειραντλιών διατίθενται κιτ στεγανωτικών Viton και από καουτσούκ αιθυλενοπροπυλενίου. Απευθυνθείτε στον τοπικό σας αντιπρόσωπο Enerpac για περισσότερες πληροφορίες σχετικά με τα προϊόντα αυτά και τις εφαρμογές τους.

9.1 Προσθήκη λαδιού στην αντλία



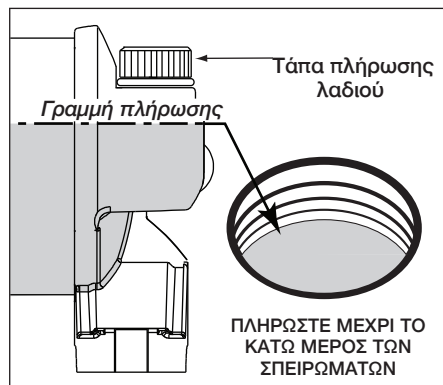
ΠΡΟΕΙΔΟΠΟΙΗΣΗ: Προσθέτετε πάντοτε λάδι με τους κυλίνδρους σε πλήρη σύμπτυξη (σε πλήρη έκταση αν πρόκειται για κυλίνδρους έλξης) διαφορετικά το σύστημα θα περιέχει περισσότερο λάδι απ' όσο μπορεί να δεχτεί το δοχείο λαδιού.

Ελέγχετε τη στάθμη του λαδιού τακτικά και προσθέτετε λάδι αν χρειάζεται. Εκτελέστε τα βήματα που ακολουθούν:

1. Τοποθετήστε την αντλία σε οριζόντια θέση και επίπεδη επιφάνεια.
2. Αφαιρέστε την τάπα πλήρωσης λαδιού από το δοχείο λαδιού.
3. Ελέγξτε τη στάθμη του λαδιού. Βλ. εικόνα 16. Αν η στάθμη του λαδιού είναι χαμηλή, προσθέστε λάδι έως ότου η στάθμη φθάσει μέχρι το κάτω μέρος του σπειρώματος της τάπας πλήρωσης λαδιού.

ΣΗΜΑΝΤΙΚΟ: Μην υπερπληρώνετε το δοχείο λαδιού! Πρέπει να υπάρχει ένας χώρος με αέρα στο δοχείο λαδιού, προκειμένου να εξασφαλιστεί η σωστή λειτουργία. Αν το δοχείο λαδιού περιέχει πολύ μεγάλη ποσότητα λαδιού, θα σχηματιστεί κενό το οποίο θα αποτρέψει τη ροή λαδιού κατά τη λειτουργία της αντλίας.

- Επανατοποθετήστε την τάπα πλήρωσης λαδιού αφού προσθέσετε λάδι. Βεβαιωθείτε ότι η τάπα έχει τοποθετηθεί καλά (δεν είναι χαλαρή).
- Απομακρύνετε τον αέρα από το σύστημα αν απαιτείται. Βλ. ενότητα 6.0. Ελέγξτε ξανά τη στάθμη του λαδιού μετά την απομάκρυνση του αέρα.



Εικόνα 16, Στάθμη λαδιού στο δοχείο



ΠΡΟΕΙΔΟΠΟΙΗΣΗ: Η τάπα πλήρωσης λαδιού της αντλίας διαθέτει μια ενσωματωμένη δίοδο εκτόνωσης πίεσης, ένα χαρακτηριστικό ασφάλειας που αποτρέπει την υπερβολική αύξηση της πίεσης στο δοχείο λαδιού. Χρησιμοποιείτε μόνο την τάπα πλήρωσης λαδιού που παρέχεται μαζί με την αντλία ή γνήσια ανταλλακτική τάπα της Eneparc ίδιων προδιαγραφών.



ΠΡΟΕΙΔΟΠΟΙΗΣΗ: Μην επιχειρήσετε ποτέ να επιστρέψετε στο δοχείο λαδιού ποσότητα λαδιού μεγαλύτερη από όση μπορεί να δεχτεί.

9.2 Αλλαγή του λαδιού

Αποστραγγίζετε όλο το λάδι από το δοχείο και γεμίζετε το ξανά με καθαρό λάδι Eneparc κάθε 12 μήνες. Αν η αντλία χρησιμοποιείται σε περιβάλλον με πολλή σκόνη, αλλάζετε το λάδι συχνότερα.

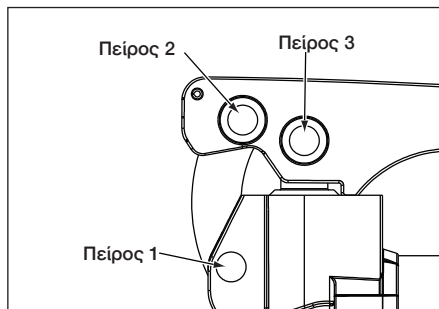
- Αφαιρέστε την τάπα πλήρωσης λαδιού από το δοχείο λαδιού.
- Γείρετε την αντλία για να αποστραγγίσετε το παλιό λάδι.

ΣΗΜΑΝΤΙΚΟ: Απορρίψτε τα χρησιμοποιημένο λάδι σύμφωνα με όλους τους ισχύοντες νόμους και κανονισμούς.

- Γεμίστε το δοχείο με νέο λάδι Eneparc. Για πρόσθετες πληροφορίες ανατρέξτε στη ενότητα 9.1.
- Τοποθετήστε την τάπα πλήρωσης λαδιού στη θέση της.

9.3 Λίπανση

Για να παραταθεί η διάρκεια ζωής της αντλίας και να βελτιωθεί η απόδοσή της, λιπαίνετε τακτικά τους τρεις πείρους της λαβής της αντλίας με γράσο για ρουλεμάν. Βλ. εικόνα 17.



Εικόνα 17, Σημεία λίπανσης

9.4 Πώς να διατηρήσετε τις σωληνώσεις λαδιού καθαρές

Όταν οι ταχυσύνδεσμοι είναι αποσυνδεδεμένοι, μην παραλείπετε να τοποθετείτε πάντοτε πώματα προστασίας από τη σκόνη. Για να αποτραπεί ενδεχόμενη βλάβη της αντλίας και άλλων εξαρτημάτων, προφυλάσσετε πάντοτε το σύστημα από την είσοδο σκόνης και άλλων ξένων σωμάτων.

10.0 ΟΔΗΓΟΣ ΑΝΤΙΜΕΤΩΠΙΣΗΣ ΠΡΟΒΛΗΜΑΤΩΝ

Οι πληροφορίες που περιλαμβάνονται στον οδηγό αντιμετώπισης προβλημάτων (βλ. πίνακα 3) αποσκοπούν μόνο στο να σας βοηθήσουν να διαγνώσετε και να διορθώσετε επιλεγμένα προβλήματα που ενδεχομένως προκύψουν.

Βλάβη στο σύστημα μπορεί να οφείλεται ή να μην οφείλεται σε δυσλειτουργία της αντλίας. Για να προσδιορίσετε την αιτία του προβλήματος, ο διαγνωστικός έλεγχος πρέπει να περιλαμβάνει ολόκληρο το σύστημα.

Για υπηρεσίες επισκευών, επικοινωνήστε με το τοπικό εξουσιοδοτημένο κέντρο σέρβις της Eneparc. Επισκευή της αντλίας ή των εξαρτημάτων του συστήματος πρέπει να διεξάγεται μόνο από εξουσιοδοτημένο κέντρο σέρβις της Eneparc.

Πίνακας 3, Οδηγός αντιμετώπισης προβλημάτων – Χειραντλίες σειράς ULTIMA

Πρόβλημα	Πιθανή αιτία	Λύση
Ο κύλινδρος δεν προωθείται, προωθείται αργά ή ακανόνιστα.	<ol style="list-style-type: none"> Χαμηλή στάθμη λαδιού στο δοχείο λαδιού της αντλίας. Η βαλβίδα απελευθέρωσης πίεσης είναι ανοικτή ή δεν έχει κλείσει εντελώς. Πολύ χαμηλή ρύθμιση της βαλβίδας εκτόνωσης. Ο υδραυλικός ταχυσύνδεσμος δεν έχει συνδεθεί σωστά. Πολύ βαρύ φορτίο. Παγιδευμένος αέρας στο σύστημα. Υπερπλήρωση του δοχείου λαδιού. Το έμβολο του κυλίνδρου κολλάει. 	<ol style="list-style-type: none"> Προσθέστε λάδι σύμφωνα με τις οδηγίες της ενότητας 9.1. Κλείστε τη βαλβίδα απελευθέρωσης πίεσης. Ρυθμίστε την πίεση της βαλβίδας εκτόνωσης σύμφωνα με τις οδηγίες της ενότητας 7.0. Ελέγξτε ότι όλοι οι ταχυσύνδεσμοι είναι πλήρως σφιγμένοι. Μην επιχειρήσετε να ανυψώσετε φορτίο μεγαλύτερο από το ονομαστικό. Απομακρύνετε τον αέρα σύμφωνα με τις οδηγίες της ενότητας 6.0. Αφαιρέστε την περίσσεια λαδιού από το δοχείο. Σημείωση: Αν ο κύλινδρος λειτουργεί κανονικά όταν λασκάρτε την τάπα πλήρωσης λαδιού της αντλίας, μπορεί να σημαίνει ότι το δοχείο λαδιού έχει υπερπληρωθεί με λάδι. Ελέγξτε για ζημιά στον κύλινδρο. Αναθέστε το σέρβις του κυλίνδρου σε εξουσιοδοτημένο κέντρο σέρβις της Enerpac.
Ο κύλινδρος προωθείται, αλλά δεν κρατά πίεση.	<ol style="list-style-type: none"> Διαρροή σε σύνδεση. Διαρροή στεγανωτικών. Εσωτερική διαρροή στην αντλία. Πολύ χαμηλή ρύθμιση της βαλβίδας παράκαμψης. (Μοντέλα P-77, P-80, P-801 και P-8484) 	<ol style="list-style-type: none"> Ελέγξτε αν όλες οι συνδέσεις είναι σφιγμένες και ότι δεν παρουσιάζουν διαρροές. Εντοπίστε τη διαρροή ή τις διαρροές και αναθέστε το σέρβις σε εξουσιοδοτημένο κέντρο σέρβις της Enerpac. Αναθέστε το σέρβις της αντλίας σε εξουσιοδοτημένο κέντρο σέρβις της Enerpac. Αναθέστε τη ρύθμιση της βαλβίδας παράκαμψης σε εξουσιοδοτημένο κέντρο σέρβις της Enerpac.
Ο κύλινδρος δεν συμπτύσσεται, συμπτύσσεται εν μέρει ή συμπτύσσεται πιο αργά από το κανονικό.	<ol style="list-style-type: none"> Η βαλβίδα απελευθέρωσης πίεσης είναι κλειστή. Υπερπλήρωση δοχείου λαδιού. Ο υδραυλικός ταχυσύνδεσμος δεν έχει συνδεθεί σωστά. Παγιδευμένος αέρας στο σύστημα. Η εσωτερική διάμετρος ελαστικού σωλήνα είναι πολύ μικρή. Το ελατήριο επαναφοράς κυλίνδρου είναι σπασμένο ή υπάρχει άλλη ζημιά στον κύλινδρο. Η κλειστή βαλβίδα που βρίσκεται εν σειρά. 	<ol style="list-style-type: none"> Ανοίξτε τη βαλβίδα απελευθέρωσης πίεσης. Αφαιρέστε την περίσσεια λαδιού από το δοχείο. Σημείωση: Αν ο κύλινδρος λειτουργεί κανονικά όταν λασκάρτε την τάπα πλήρωσης λαδιού της αντλίας, μπορεί να σημαίνει ότι το δοχείο λαδιού έχει υπερπληρωθεί με λάδι. Ελέγξτε ότι όλοι οι ταχυσύνδεσμοι είναι πλήρως σφιγμένοι. Απομακρύνετε τον αέρα σύμφωνα με τις οδηγίες της ενότητας 6.0. Χρησιμοποιήστε υδραυλικό ελαστικό σωλήνα μεγαλύτερης διαμέτρου. Αναθέστε το σέρβις του κυλίνδρου σε εξουσιοδοτημένο κέντρο σέρβις της Enerpac Βεβαιωθείτε ότι οι εν σειρά βαλβίδες (αν χρησιμοποιούνται) είναι σωστά ρυθμισμένες.

Σημείωση: Για το πλησιέστερο σε σας εξουσιοδοτημένο κέντρο σέρβις της Enerpac, επισκεφθείτε την ιστοσελίδα www.enerpac.com.

L3070 Wer. F 03/17

Karty części zamiennych do tego produktu można znaleźć na stronie internetowej Enerpac www.enerpac.com oraz w najbliższym autoryzowanym centrum serwisowym lub biurze sprzedaży firmy Enerpac.

1.0 WAŻNE INFORMACJE DOTYCZĄCE ODBIORU

Należy wizualnie sprawdzić wszystkie komponenty pod kątem uszkodzeń powstałych w czasie transportu. Uszkodzenia powstałe podczas transportu **nie** są objęte gwarancją. W przypadku stwierdzenia uszkodzeń powstałych w czasie transportu należy natychmiast powiadomić przewoźnika. Przewoźnik ponosi odpowiedzialność za wszystkie koszty naprawy i wymiany z tytułu szkód transportowych.

BEZPIECZEŃSTWO PRZEDE WSZYSTKIM

2.0 ZASADY BEZPIECZEŃSTWA



Wszystkie instrukcje, ostrzeżenia i uwagi należy uważnie przeczytać.

Należy przestrzegać wszystkich zasad bezpieczeństwa, aby uniknąć obrażeń ciała oraz szkód rzeczowych podczas pracy. Firma Enerpac nie ponosi odpowiedzialności za obrażenia i szkody wynikające z użytkowania produktu niezgodnie z zasadami bezpieczeństwa, braku konserwacji oraz nieprawidłowej obsługi produktu i/lub systemu. W przypadku wątpliwości dotyczących zasad bezpieczeństwa i procedur obsługi należy skontaktować się z firmą Enerpac. Jeżeli użytkownik nie odbył szkolenia z zasad bezpieczeństwa obowiązujących podczas pracy z wysokociśnieniowymi narzędziami hydraulicznymi, należy skonsultować się z dystrybutorem lub centrum serwisowym, aby odbyć bezpłatny kurs bezpieczeństwa oferowany przez firmę Enerpac.

Niestosowanie się do wymienionych poniżej uwag i ostrzeżeń może doprowadzić do uszkodzenia urządzenia oraz obrażeń ciała.

UWAGA wskazuje prawidłowe procedury i praktyki obsługi lub konserwacji pozwalające zapobiec uszkodzeniu lub zniszczeniu sprzętu lub innego mienia.

OSTRZEŻENIE wskazuje potencjalne niebezpieczeństwo, które wymaga zastosowania odpowiednich procedur i praktyk pozwalających uniknąć obrażeń ciała.

NIEBEZPIECZEŃSTWO używane jest tylko w przypadku, gdy dana czynność lub zaniechanie działania może skutkować poważnymi obrażeniami ciała, a nawet śmiercią.



OSTRZEŻENIE: Podczas obsługi urządzeń hydraulicznych należy stosować odpowiednie środki ochrony indywidualnej.



OSTRZEŻENIE: Należy zachowywać bezpieczną odległość od ładunków podtrzymywanych przez urządzenia hydrauliczne. Jeśli cylinder używany jest jako podnośnik ładunku, nigdy nie należy wykorzystywać go jako urządzenia podtrzymującego ładunek. Po podniesieniu lub opuszczeniu ładunek należy zawsze unieruchomić mechanicznie.



OSTRZEŻENIE: DO PODTRZYMYWANIA ŁADUNKÓW NALEŻY STOSOWAĆ TYLKO SZTYWNE ELEMENTY. Należy starannie dobrać bloki ze stali lub drewna, aby były zdolne do podtrzymania ładunku. Nigdy nie należy używać cylindra hydraulicznego jako podkładki ustalającej lub dystansowej w żadnym zastosowaniu podnoszącym lub dociskającym.



NIEBEZPIECZEŃSTWO: Aby uniknąć obrażeń ciała, podczas pracy nie należy zbliżać rąk ani stóp do cylindra i obszaru roboczego.



OSTRZEŻENIE: Nie należy przekraczać wartości znamionowych urządzeń. Nigdy nie należy podnosić ładunku ważącego więcej niż udźwig cylindra. Przeciążenie powoduje awarię sprzętu i może prowadzić do obrażeń ciała. Cylindry zaprojektowano pod kątem maksymalnego ciśnienia 700 barów (10 000 psi). Nie podłączaj podnośnika ani cylindra do pompy z wyższym znamionowym ciśnieniem roboczym.



OSTRZEŻENIE: Nigdy nie należy ustawiać ciśnienia zaworu nadmiarowego powyżej 725 barów [10 500 psi]. Przekroczenie tego maksymalnego poziomu może doprowadzić do poważnych obrażeń ciała. Może również dojść do uszkodzenia pompy i podzespołów.



OSTRZEŻENIE: Ciśnienie robocze układu nie może przekraczać ciśnienia znamionowego komponentu układu o najniższej wartości znamionowej. Należy zainstalować w układzie manometry, aby kontrolować wysokość ciśnienia roboczego. W ten sposób można kontrolować to, co dzieje się w układzie.



UWAGA: Należy uważać, aby nie uszkodzić węża hydraulicznego. Podczas prowadzenia wężu hydraulicznego należy unikać ostrych zagięć i załamania. Użycie zagiętego lub załamane węża spowoduje wytworzenie silnego przeciwcisnienia. Ostre zagięcia i załamania doprowadzą do wewnętrznych uszkodzeń węża, powodując jego przedwczesne zniszczenie.



Nie należy upuszczać na wąż ciężkich przedmiotów. Silne uderzenie może spowodować wewnętrzne uszkodzenie splotu drutów w wężu. Poddawanie uszkodzonego węża działaniu ciśnienia może doprowadzić do jego rozerwania.



WAŻNE: Nie należy podnosić urządzeń hydraulicznych za pomocą węża lub złączek obrotowych. Używać uchwytu do przenoszenia lub innych sposobów bezpiecznego transportu.



UWAGA: Należy chronić wyposażenie hydrauliczne przed ogniem i źródłami ciepła. Zbyt wysoka temperatura spowoduje rozszczelnienie i osłabienie uszczelki, doprowadzając do wycieków płynu. Nadmierna temperatura spowoduje również osłabienie materiału, z którego wykonany jest wąż. Aby zapewnić optymalną sprawność, nie należy wystawiać urządzeń na działanie temperatury równej lub wyższej od 65°C [150°F]. Węże i cylindry należy zabezpieczyć przed odpryskami spawalniczymi.



NIEBEZPIECZEŃSTWO: Nie należy trzymać w rękach węży znajdujących się pod ciśnieniem. Wydostający się pod ciśnieniem olej może wnikać w skórę, powodując poważne obrażenia. Jeżeli olej przedostanie się pod skórę, należy natychmiast zgłosić się do lekarza.



OSTRZEŻENIE: Cylindrów hydraulicznych należy używać wyłącznie w odpowiednio podłączonym układzie. Nigdy nie używać cylindra z odłączonymi złączkami. W przypadku nadmiernego przeciążenia cylindra może dojść do gwałtownego uszkodzenia komponentów, które spowodują poważne obrażenia ciała.



OSTRZEŻENIE: PRZED PODNIESIENIEM ŁADUNKU SPRAWDZIĆ STABILNOŚĆ UKŁADU.

Cylindry należy umieścić na płaskiej powierzchni zdolnej do przyjęcia obciążenia. Zastosować podstawę cylindra w celu poprawy stabilności, o ile zachodzi taka potrzeba. Nie należy spawać ani w inny sposób modyfikować cylindra w celu zamocowania podstawy lub innej podpory.



Należy unikać sytuacji, w których środek ciężkości ładunku nie jest ustawiony bezpośrednio w środku tłoka cylindra. Niewyważone ładunki powodują znaczne obciążenie cylindrów i tłoków. Ponadto ładunek może ześlizgnąć się lub spaść, powodując potencjalne zagrożenie.



Ładunek rozmieścić równo na całej powierzchni sodełka. Zawsze używać sodełka chroniącego tłoka.

3.0 INFORMACJE O PRODUKCIE

Tabela 1, Specyfikacje – Pompy ręczne serii ULTIMA

Model pompy	Typ pompy (prędkość)	Maks. ciśnienie znamionowe bar [psi]		Objętość oleju na skok cm ³ [cal ³]		Użytkowa objętość oleju cm ³ [cal ³]	Masa z olejem kg [funty]	Maks. opór dźwigni kg [funty]
		Stopień 1	Stopień 2	Stopień 1	Stopień 2			
P-18	1	—	200 [2850]	—	2,46 [0,15]	360 [22]	5,2 [11,0]	16 [34]
P-39	1	—	700 [10 000]	—	2,46 [0,15]	769 [47]	6,2 [13,6]	38 [85]
P-77	2	34 [500]	700 [10 000]	16,38 [1,00]	2,46 [0,15]	769 [47]	7,1 [15,6]	40 [88]
P-80	2	34 [500]	700 [10 000]	16,38 [1,00]	2,46 [0,15]	2195 [134]	10,7 [23,6]	35 [77]
P-801	2	34 [500]	700 [10 000]	16,38 [1,00]	2,46 [0,15]	4095 [250]	14,0 [31,0]	35 [77]
P-84	2	34 [500]	700 [10 000]	16,38 [1,00]	2,46 [0,15]	2195 [134]	11,7 [26,0]	35 [77]

Tabela 2, Elementy i główne komponenty – Pompy ręczne serii ULTIMA

Element (Patrz rysunki 1-4 wskazujące miejsce położenia)	Model pompy					
	P-18	P-39	P-77	P-80	P-801	P-84
A	Zawór spustowy	Zawór spustowy	Zawór spustowy	Zawór spustowy	Zawór spustowy	4-drogowy, 3-pozycyjny zawór sterujący
B	Jeden port wylotowy 3/8" NPTF	Jeden port wylotowy 3/8" NPTF	Jeden port wylotowy 3/8" NPTF	Jeden port wylotowy 3/8" NPTF	Jeden port wylotowy 3/8" NPTF	Dwa porty wylotowe 3/8" NPTF
C	Korek wlewu oleju	Korek wlewu oleju	Korek wlewu oleju	Korek wlewu oleju	Korek wlewu oleju	Korek wlewu oleju
D	Szczeliny montażowe	Szczeliny montażowe	Szczeliny montażowe	Szczeliny montażowe	Szczeliny montażowe	Szczeliny montażowe
E	Zawór nadmiarowy regulowany przez użytkownika	Zawór nadmiarowy regulowany przez użytkownika	Zawór nadmiarowy regulowany przez użytkownika	Zawór nadmiarowy regulowany przez użytkownika	Zawór nadmiarowy regulowany przez użytkownika	Zawór nadmiarowy regulowany przez użytkownika
F	—	—	—	Przylącze powrotu do zbiornika 3/8" NPTF	Przylącze powrotu do zbiornika 3/8" NPTF	—
G	—	—	Zawór obejściowy	Zawór obejściowy	Zawór obejściowy	Zawór obejściowy



WAŻNE: Urządzenia hydrauliczne powinny być serwisowane wyłącznie przez wykwalifikowanego technika hydraulika. W sprawie napraw należy kontaktować się z lokalnym autoryzowanym centrum serwisowym firmy Enerpac. Aby zachować ważność gwarancji, należy używać tylko oleju firmy ENERPAC.



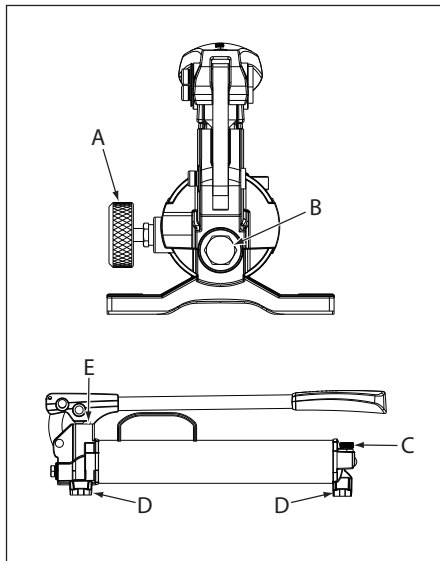
OSTRZEŻENIE: Zużyte lub uszkodzone części należy natychmiast wymienić na oryginalne części firmy ENERPAC. Części o standardowej jakości ulegną uszkodzeniu, powodując obrażenia ciała i szkody rzeczowe. Części firmy ENERPAC są odpowiednio dopasowane i wytrzymują duże obciążenia.



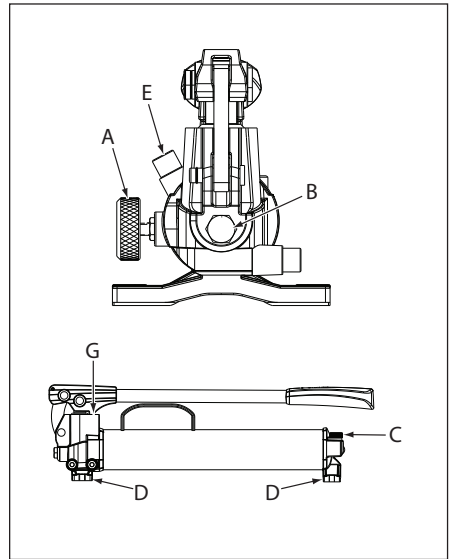
UWAGA: Do przenoszenia pompy należy zawsze używać uchwytu do podnoszenia/przenoszenia. Przenoszenie pompy za pomocą węża może doprowadzić do uszkodzenia węża i/lub pompy.

3.1 Elementy i główne podzespoły pompy

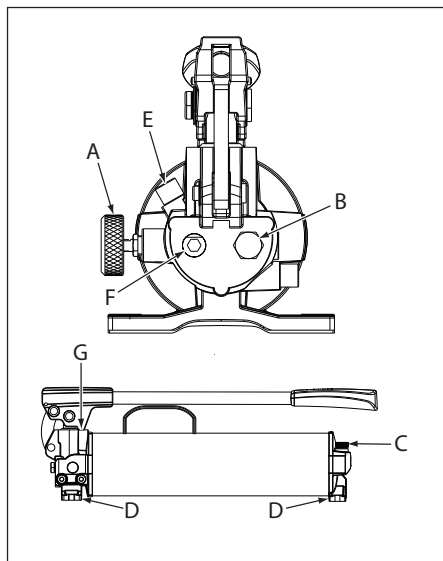
Patrz rysunki 1–4, wskazujące miejsce rozmieszczenia poszczególnych elementów i głównych komponentów pompy. Patrz Tabela 2, zawierająca opisy elementów A–G.



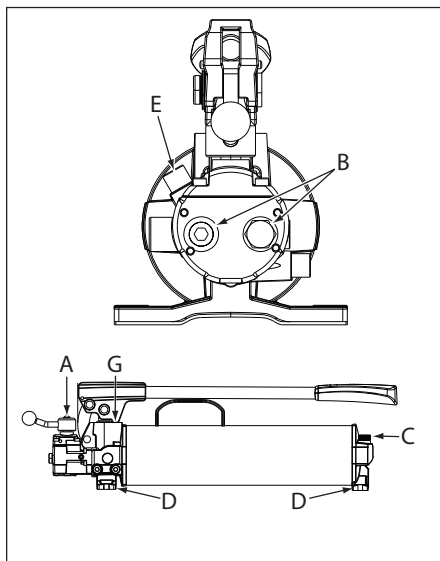
Rysunek 1, Modele P-18 i P-39



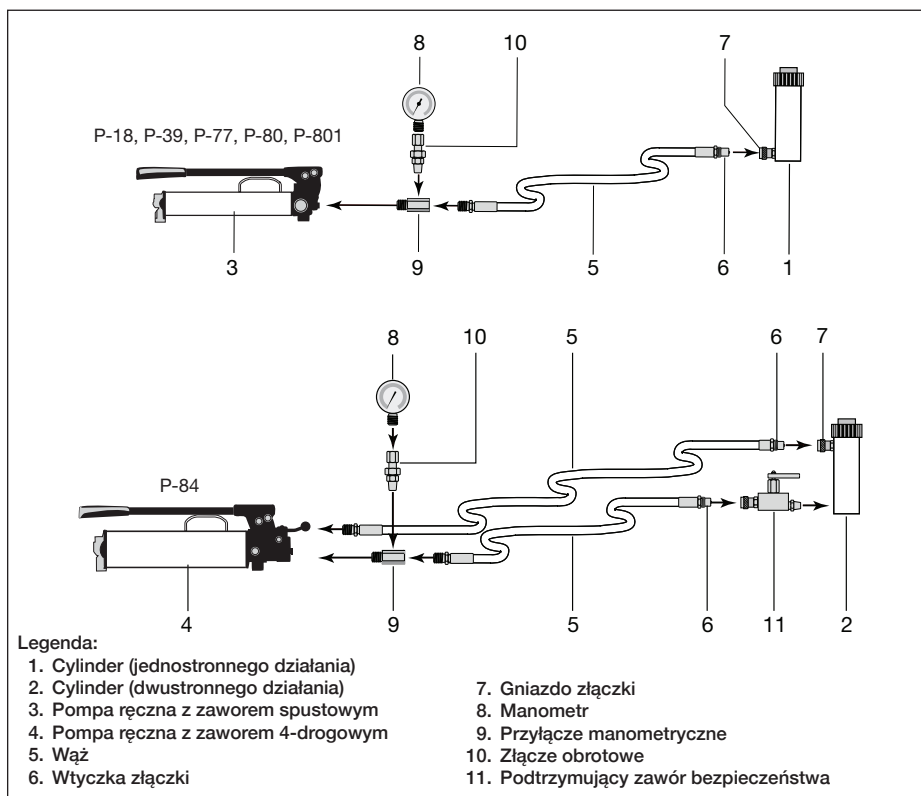
Rysunek 2, Model P-77



Rysunek 3, Modele P-80 i P-801



Rysunek 4, Model P-84

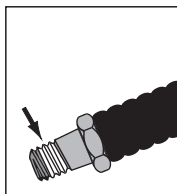


Rysunek 5, Przyłącza hydrauliczne (typowe)

4.0 INSTALACJA

4.1 Podłączenie pompy

1. Zdejmij korki transportowe z portów wylotowych pompy.
2. Ustaw zawór nadmiarowy na wymaganą maksymalną wartość graniczną ciśnienia oleju hydraulicznego. Instrukcje znajdują się w punkcie 7.0.
3. Podłącz wąż (lub węże) do pompy. Aby uszczelnić połączenie gwintowe, użyj anaerobowego uszczelnacza do gwintów, pasty Teflon® lub taśmy Teflon®.



Rysunek 6

WAŻNE: W przypadku stosowania taśmy Teflon®, należy ją założyć w odległości jednego zwoju gwintu od końca łącznika, aby nie dopuścić do przedostania się fragmentów taśmy do wnętrza układu hydraulicznego. Patrz rysunek 6.

4. Zamontuj manometr na przewodzie wyprawczonym z pompy, aby zwiększyć bezpieczeństwo i kontrolę nad układem.
5. Podłącz wąż (lub węże) do cylindra lub narzędzia.
 - W przypadku cylindrów jednostronnego działania podłącz jeden wąż z pompy do cylindra.
 - W przypadku cylindrów dwustronnego działania podłącz dwa węże. Podłącz jeden wąż z portu (A) pompy do portu wysuwu cylindra. Podłącz drugi wąż z portu (B) pompy do portu powrotu cylindra.

Tylko modele P-80 i P-801: W przypadku stosowania zewnętrznego zaworu redukcyjnego w obwodzie podłącz przyłączy zbiornika zaworu do znajdującego się na pompie przyłączy powrotnego do zbiornika.

Uwaga: Cylindry, węże oraz akcesoria wyszczególnione na rysunku 5 są sprzedawane osobno i nie są dołączone do pompy. W katalogu firmy Enerpac można znaleźć pełny opis dostępnych podzespołów i akcesoriów. Wymagane podzespoły będą różnić się między sobą w poszczególnych przypadkach, w zależności od sposobu zastosowania i innych czynników.

4.2 Odpowietrzanie pompy

Pompy ręczne serii ULTIMA zaprojektowano do pracy bez odpowietrzania. Korek wlewu oleju można poluzować, jeśli wymagane jest odpowietrzanie układu, ale należy go całkowicie dokręcić przed użyciem pompy.

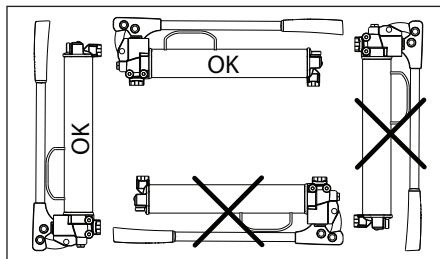
WAŻNE: Aby uniknąć zanieczyszczenia układu hydraulicznego, nie należy obsługiwać pompy z odkręconym lub zdjętym korkiem wlewowym.

4.3 Pozycja pompy

Pompę można obsługiwać w położeniu poziomym lub pionowym. Patrz rysunek 7.

W przypadku pracy w pozycji pionowej koniec pompy od strony węża należy skierować w dół, w przeciwnym razie pompa zassie powietrze i nie będzie odpowiednio zwiększać ciśnienia.

Uwaga: Pompy nie należy używać w pozycji odwróconej (spodem do góry).



Rysunek 7, Kierunek ustawienia pompy

5.0 OBSŁUGA

5.1 Przed użyciem pompy

1. Sprawdź wszystkie łączniki i przyłącza pod kątem dokręcenia i szczelności.
2. Sprawdź poziom oleju w zbiorniku i uzupełnij w razie potrzeby. Patrz instrukcje w punkcie 9.1.
3. Przeczytaj ze zrozumieniem poniższe środki ostrożności przed przystąpieniem do obsługi pompy:



OSTRZEŻENIE: W niektórych sytuacjach uchwyt pompy może „odskoczyć”. Operator powinien zawsze znajdować się z boku pompy, nie zbliżając się do linii zasięgu uchwytu.



OSTRZEŻENIE: Podczas obsługi dźwigni pompy dłonie i palce należy trzymać z dala od miejsca grożącego przygnieciem, pomiędzy dźwignią pompy a uchwytem do podnoszenia/transportu.



UWAGA: Przed przystąpieniem do obsługi dźwigni pompy należy zawsze usunąć korki transportowe z portów wylotowych pompy i zastąpić je odpowiednimi łącznikami hydraulicznymi. W przypadku użycia dźwigni pompy z zamontowanymi korkami transportowymi istnieje zagrożenie, że korki zostaną z dużą siłą wypchnięte z portów, potencjalnie powodując obrażenia ciała.



UWAGA: Do dźwigni pompy nie wolno stosować przedłużeń. Przedłużenia powodują niestabilną pracę pompy.



UWAGA: Aby zapobiec mechanicznemu uszkodzeniu, nie ciągnij za dźwignię pompy, gdy osiągnie już położenie końcowe. Nie naciskaj na dźwignię pompy z boku.

WAŻNE: Aby zmniejszyć opór dźwigni przy wysokim ciśnieniu, stosuj krótkie skoki. Największą dźwignię uzyskuje się w ostatnich 5 stopniach skoku.

5.2 Przepływ dwustopniowy

Modele P-77, P-80, P-801 i P-84

Pompy z dwoma biegami prędkości umożliwiającą przepływ dwustopniowy. Bez obciążenia pompa pracuje na pierwszym stopniu z wysokim przepływem, zapewniającym szybki wysuw. Po podłączeniu obciążenia pompa automatycznie przełącza się na drugi stopień, aby umożliwić zwiększenie ciśnienia. Po przełączeniu pompy pompowanie wymaga mniej wysiłku.

Uwaga: Aby zapewnić najwyższą wydajność, na pierwszym stopniu z wysokim przepływem zaleca się obsługę dźwigni pompy ze średnią prędkością. Duża prędkość pracy dźwigni na pierwszym stopniu umożliwiłaby pompie dostarczenie pełnej objętości oleju.

5.3 Obsługa pompy

Modele P-18, P-39, P-77, P-80 i P-801

Wszystkie modele pomp z wyjątkiem P-84 przeznaczone są do pracy z cylindrami jednostronnego działania i wyposażone są we wbudowany zawór spustowy.

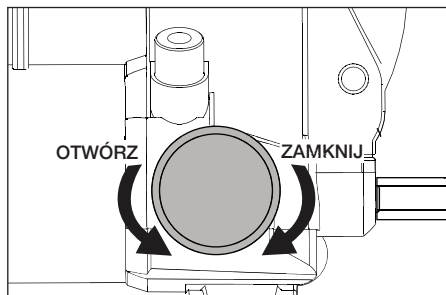
1. Zamknij zawór spustowy, obracając pokrętkę w prawo do oporu. Patrz rysunek 8.



UWAGA: Przy zamykaniu zaworu spustowego należy go dokręcić **WYŁĄCZNIE** ręką. Użycie narzędzi może spowodować uszkodzenie zaworu spustowego i doprowadzić do nieprawidłowej pracy pompy.

2. Pracuj dźwignią pompy, aby doprowadzić do układu moc hydrauliczną. Ciśnienie będzie utrzymywane do momentu otwarcia zaworu spustowego.

3. Otwórz zawór spustowy, obracając pokrętkę w lewo. Ciśnienie zostanie zwolnione, umożliwiając przepływ oleju z powrotem do zbiornika.



Rysunek 8, Zawór spustowy (wszystkie modele oprócz P-84)



UWAGA: W przypadku gdy pokrętkę zaworu spustowego ciężko się obraca lub jest zablokowane, należy natychmiast przerwać pracę pompy. Zlecić przegląd i naprawę pompy w autoryzowanym centrum serwisowym firmy Enerpac.

5.4 Obsługa pompy – Model P-84

Model P-84 wyposażony jest w 4-drogowy, 3-pozycyjny zawór sterujący. Przeznaczony jest do cylindrów dwustronnego działania. Patrz rysunki 9 i 10.

1. Ustaw dźwignię na zaworze 4-drogowym, aby wybrać funkcję:

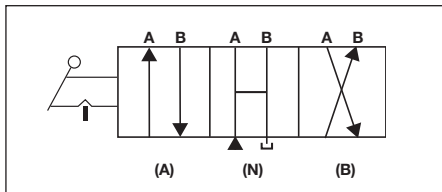
(A) Przepływy skierowany do portu „A”; port „B” kieruje przepływ z powrotem do zbiornika.

(N) Pozycja neutralna – porty „A” and „B” otwarte względem zbiornika.

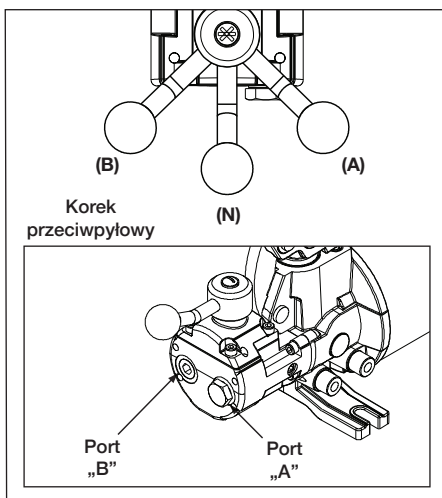
(B) Przepływy skierowany do portu „B”; port „A” kieruje przepływ z powrotem do zbiornika.



OSTRZEŻENIE: Zawór nie zawiera urządzenia do podtrzymywania obciążenia. Przed ustawieniem dźwigni w pozycji neutralnej (N) należy się upewnić, że ładunek jest odpowiednio podparty za pomocą blokad, mechanicznych stojaków lub innych odpowiednich podpór.



Rysunek 9, Schemat zaworu 4-drogowego (P-84)



Rysunek 10, Pozycje dźwigni zaworu sterującego oraz przyłączy węży (P-84)

2. Obsługuj pompę, aby wykonać zadanie.
3. Zmieniaj pozycje zaworu w zależności od wymagań.



OSTRZEŻENIE: Cylindra dwustronnego działania można używać wyłącznie po podłączeniu do pompy obu węży. Jeżeli jedna złączka pozostaje niepodłączona, za złączką wystąpi wysokie ciśnienie, co może doprowadzić do obrażeń ciała i/lub uszkodzenia sprzętu.

6.0 ODPOWIETRZANIE

Usunięcie powietrza z układu hydraulicznego usprawni ruch wysuwu i powrotu cylindra.

6.1 Pompa z cylindrem jednostronnego działania

1. Odkręć i zdejmij korek wlewu oleju, aby zapewnić odpowietrzenie zbiornika podczas wykonywania poniższych czynności.
2. Całkowicie zamknij zawór spustowy.
3. Ustaw pompę w pozycji poziomej, na wysokości powyżej cylindra. Patrz rysunek 11.
4. Ustaw cylinder stroną z tłokiem do dołu (do góry w przypadku cylindra ciągnącego).
5. Pracuj pompą do pełnego wysunięcia cylindra (cofnięcia w przypadku cylindra ciągnącego).
6. Otwórz zawór spustowy, aby cylinder wykonał powrót (wysuw w przypadku cylindra ciągnącego). W ten sposób uwiecznione powietrze zostanie wypchnięte w górę do zbiornika pompy.
7. W razie potrzeby powtórz czynności 2–6, aż do uzyskania płynnego ruchu cylindra.
8. W razie potrzeby uzupełnij poziom oleju. Patrz punkt 9.1.
9. Ponownie zamocuj korek wlewu oleju.

6.2 Pompa z cylindrem dwustronnego działania

1. Odkręć korek wlewu oleju o kilka obrotów, aby zapewnić odpowietrzenie zbiornika podczas wykonywania poniższych czynności.
2. Ustaw pompę w pozycji poziomej, na wysokości powyżej cylindra. Patrz rysunek 11.
3. Ustaw cylinder w pozycji poziomej z portami skierowanymi do góry.
4. Przeprowadź pełny wysuw i powrót cylindra 2–3 razy.
5. W razie potrzeby powtórz czynności 2–4, aż do uzyskania płynnego ruchu cylindra.
6. W razie potrzeby uzupełnij poziom oleju. Patrz punkt 9.1.
7. Ponownie zamocuj korek wlewu oleju.

7.0 REGULACJA ZAWORU NADMIAROWEGO

1. **Wszystkie modele oprócz P-84:** Podłącz do portu wylotu oleju manometr o zakresie pomiaru ciśnienia 0–1000 barów [0–15 000 psi]. Zamknij zawór spustowy (obracaj pokrętkę w prawo do oporu).
2. **Tylko model P-84:** Podłącz do portu „A” pompy manometr o zakresie pomiaru ciśnienia 0–1000 barów [0–15 000 psi]. W porcie „B” pompy zamocuj korek do rur. Przewstaw dźwignię zaworu sterującego na pozycję (A).
3. Za pomocą klucza imbusowego 1/4” zdejmij korek przeciwpływy, znajdujący się nad śrubą regulacyjną zaworu nadmiarowego.
 - W modelach P-18 i P-39 zawór sterujący znajduje się w górnej części głowicy pompy. Patrz rysunek 12.
 - W modelach P-77, P-80, P-801 i P-84 zawór sterujący znajduje się z boku głowicy pompy. Patrz rysunek 13.

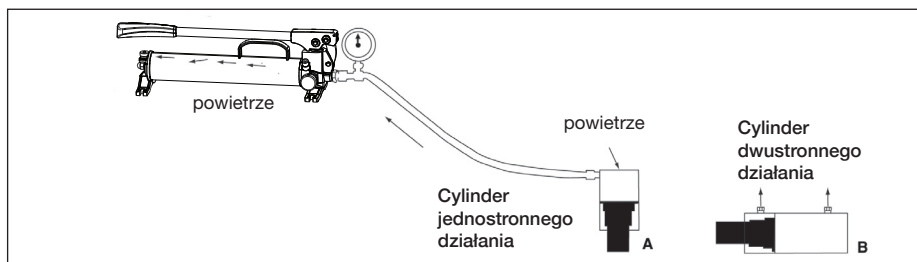
Uwaga: Aby uzyskać dokładne ustawienie podczas poniższych czynności, zawsze zmniejszaj ciśnienie do poziomu *poniżej* ustawienia końcowego, a następnie powoli zwiększaj ciśnienie do uzyskania ustawienia końcowego.

4. Za pomocą klucza imbusowego 7/32” odkręć śrubę regulacyjną zaworu nadmiarowego o około 2 obroty. Patrz rysunek 14.
5. Obsługując dźwignię pompy, powoli obracaj śrubę regulacyjną zaworu nadmiarowego w prawo, aż ciśnienie zwiększy się do wymaganego poziomu. Ustawiony poziom ciśnienia został uzyskany, gdy dodatkowe pompowanie nie powoduje wzrostu ciśnienia wskazywanego przez manometr.



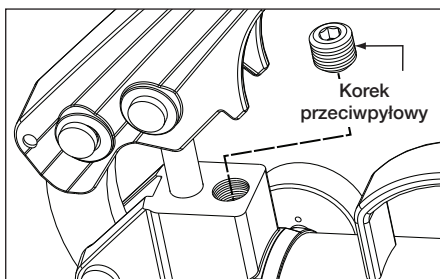
OSTRZEŻENIE: Nigdy nie należy ustawiać ciśnienia zaworu nadmiarowego powyżej 725 barów [10 500 psi]. Przekroczenie tego maksymalnego poziomu może doprowadzić do poważnych obrażeń ciała. Może również dojść do uszkodzenia pompy i podzespołów.

6. **Wszystkie modele oprócz P-84:** Po uzyskaniu wymaganego ustawienia obróć zawór spustowy w lewo, aby usunąć ciśnienie z układu. Sprawdź, czy manometr wskazuje zero (0) psi/barów.

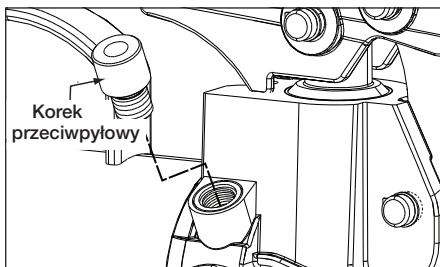


Rysunek 11, Odpowietrzanie

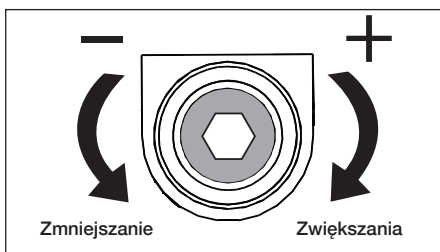
- Tylko model P-84:** Po uzyskaniu wymaganego ustawienia przesunąć dźwignię zaworu na pozycję neutralną (N), aby usunąć ciśnienie z układu. Sprawdź, czy manometr wskazuje zero (0) psi/barów.
- Wszystkie modele oprócz P-84:** Odłączyć manometr z portu wylotu oleju pompy. Ponownie zamocuj korek przeciwpływy nad śrubą regulacyjną zaworu nadmiarowego.
- Tylko model P-84:** Odłączyć manometr od portu „A” pompy. Zdejmij korek do rur z portu „B” pompy. Ponownie zamocuj korek przeciwpływy nad śrubą regulacyjną zaworu nadmiarowego.



Rysunek 12, Zawór nadmiarowy (P-18 i P-39)



Rysunek 13, Zawór nadmiarowy (P-77, P-80, P-801 i P-84)

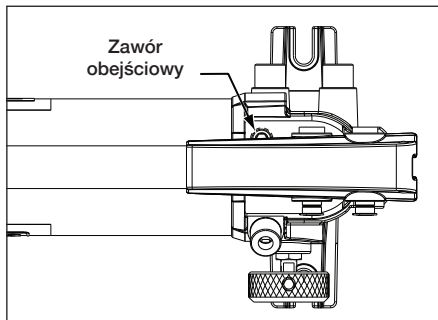


Rysunek 14, Śruba regulacyjna zaworu nadmiarowego

8.0 REGULACJA ZAWORU OBEJŚCIOWEGO MODELE P-77, P-80, P-801 i P-84

Zawór obejściowy reguluje poziom ciśnienia, przy którym następuje przełączenie prędkości pompy z pierwszego stopnia na drugi. Patrz rysunek 15.

Zawór obejściowy ustawiany jest fabrycznie i nie powinien wymagać dodatkowej regulacji, chyba że przeprowadzono przegląd lub naprawę pompy. Jeżeli jest to wymagane, ponowna regulacja powinna zostać wykonana wyłącznie przez autoryzowane centrum serwisowe firmy Enerpac.



Rysunek 15, Zawór obejściowy (P-77, P-80, P-801 i P-84)

9.0 KONSERWACJA

Do pompy używaj wyłącznie oleju hydraulicznego firmy Enerpac, aby wydłużyć okres eksploatacji pompy i nie utracić ważności gwarancji. Do niektórych modeli pomp ręcznych dostępne są zestawy uszczelek Viton i EPR. Aby uzyskać więcej informacji o tych produktach i ich zastosowaniu, skontaktuj się z przedstawicielem firmy Enerpac.

9.1 Uzupelnianie oleju w pompie



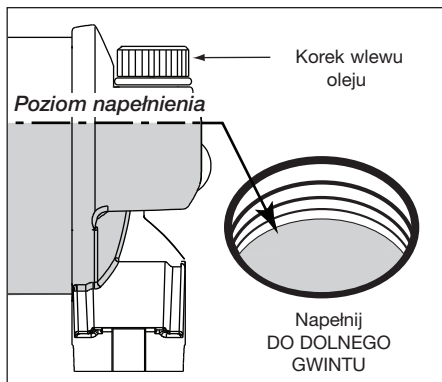
OSTRZEŻENIE: Olej należy uzupełniać wyłącznie wtedy, gdy cylindry są całkowicie wsunięte (wysunięte w przypadku cylindrów ciągnących). W przeciwnym wypadku układ będzie zawierał więcej oleju niż może zmieścić się w zbiorniku.

Regularnie sprawdzaj poziom oleju w zbiorniku i uzupełniaj w razie potrzeby. Patrz poniższe punkty:

- Umieść pompę w pozycji poziomej na równej powierzchni.
- Zdejmij ze zbiornika korek wlewu oleju.
- Sprawdź poziom oleju. Patrz rysunek 16. W przypadku niskiego poziomu dolej olej aż jego poziom sięgnie dolnego gwintu otworu wlewowego.

WAŻNE: Nie dopuszczaj do przepiętnia! W zbiorniku należy pozostawić nieco przestrzeni wypełnionej powietrzem, aby zapewnić prawidłową pracę. Jeżeli zbiornik zawiera zbyt dużo oleju, dojdzie do wytworzenia próżni, która uniemożliwi przepływ oleju podczas pracy pompy.

- Po uzupełnieniu oleju ponownie zamocuj korek wlewowy. Upewnij się, że korek jest odpowiednio zamocowany (dokręcony do oporu).
- W razie potrzeby przeprowadź odpowietrzenie układu. Patrz punkt 6.0. Po usunięciu powietrza ponownie sprawdź poziom oleju.



Rysunek 16, Poziom oleju w zbiorniku

9.4 Utrzymywanie przewodów olejowych w czystości

Zawsze należy zakładać pokrywki przeciwpylowe w przypadku rozłączenia połówek złączki. Aby zapobiec uszkodzeniu pompy i innych komponentów, należy stosować wszelkie środki ostrożności, aby zabezpieczyć układ przed przedostawaniem się do jego wnętrza zanieczyszczeń i ciał obcych.

10.0 PRZEWODNIK ROZWIĄZYWANIA PROBLEMÓW

Informacje zawarte w przewodniku rozwiązywania problemów (patrz Tabela 3) mają służyć jako pomoc w rozpoznaniu i usuwaniu wybranych problemów, jakie mogą się pojawić.

Nieprawidłowa praca układu może ale nie musi być spowodowana awarią pompy. Aby ustalić przyczynę problemu, należy przeprowadzić diagnostykę całego układu.

W celu naprawy należy skontaktować się z najbliższym autoryzowanym centrum serwisowym firmy Enerpac. Tylko autoryzowane centrum serwisowe firmy Enerpac powinno przeprowadzać serwisowanie pompy i komponentów układu.



OSTRZEŻENIE: Korek wlewu oleju zawiera wbudowany kanał do usuwania ciśnienia; jest to zabezpieczenie, które zapobiega zbyt wysokiemu ciśnieniu w zbiorniku. Należy stosować wyłącznie korek wlewu oleju dołączony do pompy lub oryginalny korek zastępczy firmy Enerpac o identycznych parametrach.



UWAGA: Nie wolno próbować skierować z powrotem do zbiornika większej ilości oleju niż może się w nim pomieścić.

9.2 Wymiana oleju

Co 12 miesięcy należy opróżnić zbiornik z całego oleju i napędzić świeżym olejem firmy Enerpac. W przypadku używania pompy w zanieczyszczonym otoczeniu olej należy wymieniać częściej.

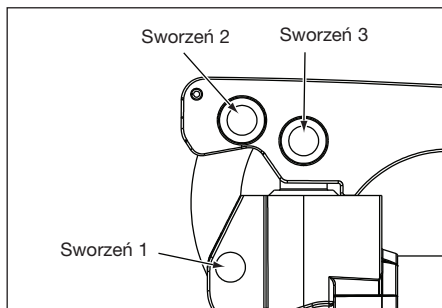
1. Zdejmij ze zbiornika korek wlewu oleju.
2. Przechył pompę, aby spuścić zużyty olej.

WAŻNE: Zużyty olej należy usunąć zgodnie z obowiązującym prawem i przepisami.

3. Napędź zbiornik świeżym olejem firmy Enerpac. Więcej informacji znajduje się w punkcie 9.1.
4. Ponownie zamocuj korek wlewu oleju.

9.3 Smarowanie

Aby wydłużyć okres eksploatacji pompy i poprawić jej wydajność, należy regularnie smarować trzy sworzeń przy dźwigni pompy za pomocą smaru do łożysk waleczkowych. Patrz rysunek 17.



Rysunek 17, Miejsca nakładania smaru

Tabela 3, Przewodnik rozwiązywania problemów – Pompy ręczne serii ULTIMA

Problem	Możliwa przyczyna	Rozwiązanie
<p>Cylinder nie wysuwa się, wysuwa się powoli lub w nierówny sposób.</p>	<ol style="list-style-type: none"> 1. Niski poziom oleju w zbiorniku pompy. 2. Otwarty lub niecałkowicie zamknięty zawór spustowy. 3. Zbyt niskie ustawienie zaworu nadmiarowego. 4. Niewłaściwie podłączona złączka hydrauliczna. 5. Zbyt duże obciążenie. 6. Powietrze uwięzione w układzie. 7. Przepelniony zbiornik. 8. Zablockowany tłok cylindra. 	<ol style="list-style-type: none"> 1. Uzupełnij olej zgodnie z instrukcjami w punkcie 9.1. 2. Zamknij zawór spustowy. 3. Ustaw ciśnienie zaworu nadmiarowego zgodnie z instrukcjami w punkcie 7.0. 4. Sprawdź, czy wszystkie złączki są całkowicie dokręcone. 5. Nie należy próbować podnosić ładunku większego niż udźwig znamionowy. 6. Wykonaj odpowietrzenie zgodnie z instrukcjami w punkcie 6.0. 7. Usuń nadmiar oleju ze zbiornika. <p>Uwaga: W przypadku gdy cylinder pracuje normalnie przy poluzowanym korku wlewowym w pompie, zbiornik może zostać przepelniony olejem.</p> <ol style="list-style-type: none"> 8. Sprawdź cylinder pod kątem uszkodzeń. Oddaj cylinder do przeglądu w autoryzowanym centrum serwisowym firmy Enerpac.
<p>Cylinder wysuwa się, ale nie utrzymuje ciśnienia.</p>	<ol style="list-style-type: none"> 1. Nieszczelne połączenie. 2. Przekiekające uszczelki. 3. Wewnętrzny wyciek w pompie. 4. Zbyt niskie ustawienie zaworu obejściowego. (Modele P-77, P-80, P-801 i P-84) 	<ol style="list-style-type: none"> 1. Sprawdź, czy wszystkie połączenia są dobrze dokręcone i szczelne. 2. Zlokalizuj wyciek (lub wycieki) i oddaj sprzęt do przeglądu w centrum serwisowym firmy Enerpac. 3. Oddaj pompę do przeglądu w autoryzowanym centrum serwisowym firmy Enerpac. 4. Zlec regulację ustawienia zaworu obejściowego przez autoryzowane centrum serwisowe firmy Enerpac.
<p>Cylinder nie powraca, powraca tylko częściowo lub powraca wolniej niż zwykle.</p>	<ol style="list-style-type: none"> 1. Zamknięty zawór spustowy. 2. Przepelniony zbiornik. 3. Niewłaściwie podłączona złączka hydrauliczna. 4. Powietrze uwięzione w układzie. 5. Zbyt mała średnica wewnętrzna węża. 6. Uszkodzona sprężyna powrotu cylindra lub inne uszkodzenie cylindra. 7. Zamknięty zawór wbudowany w obwodzie. 	<ol style="list-style-type: none"> 1. Otwórz zawór spustowy. 2. Usuń nadmiar oleju ze zbiornika. <p>Uwaga: W przypadku gdy cylinder pracuje normalnie przy poluzowanym korku wlewowym w pompie, zbiornik może zostać przepelniony olejem.</p> <ol style="list-style-type: none"> 3. Sprawdź, czy wszystkie złączki są całkowicie dokręcone. 4. Wykonaj odpowietrzenie zgodnie z instrukcjami w punkcie 6.0. 5. Użyj węża hydraulicznego o większej średnicy. 6. Oddaj cylinder do przeglądu w autoryzowanym centrum serwisowym firmy Enerpac. 7. Upewnij się, że wbudowane zawory (jeśli używane) są prawidłowo ustawione.

Uwaga: Aby wyszukać najbliższe autoryzowane centrum serwisowe firmy Enerpac, skorzystaj ze strony internetowej www.enerpac.com.

Australia and New Zealand

Actuant Australia Ltd.
P.O. Box 6867, Wetherill Park, NSW 1851
Block V Unit 3, Regents Park Estate
391 Park Road, Regents Park NSW 2143
Australia
T +61 287 177 200
F +61 297 438 648
sales-au@enerpac.com

Brazil

Power Packer do Brasil Ltda.
Rua Luiz Lawrie Reid, 548
09930-760 - Diadema (SP) - Brazil
T +55 11 5687 2211
Toll Free: 0800 891 5770
ventasbrasil@enerpac.com

China (Taicang)

Actuant (China) Industries Co. Ltd.
No. 6 Nanjing East Road,
Taicang Economic Dep Zone
Jiangsu, China
T +86 0512 5328 7500
F +86 0512 5335 9690
Toll Free: +86 400 885 0369
sales-cn@enerpac.com

France, Switzerland, North Africa and French speaking African countries

ENERPAC
Une division d'Actuant France S.A.S.
Zone Orlytech Bâtiment 516
1 allée du commandant Mouchotte
CS 40351
91550 Paray-Vieille-Poste
France
T +33 1 60 13 68 68
F +33 1 69 20 37 50
sales-fr@enerpac.com

Germany and Austria

Actuant GmbH
P.O. Box 300113
D-40401 Düsseldorf
Willstätterstrasse 13
D-40549 Düsseldorf, Germany
T +49 211 471 490
F +49 211 471 49 28
sales-de@enerpac.com

India

Actuant India Private Limited
No. 10, Bellary Road, Sadashivanagar,
Bangalore, Karnataka 560 080
India
T +91 80 3928 9000
info@enerpac.co.in

Italy

ENERPAC S.p.A.
Via Canova 4
20094 Corsico (Milano)
T +39 02 4861 111
F +39 02 4860 1288
sales-it@enerpac.com

Japan

Applied Power Japan LTD KK
Besshocho 85-7
Kita-ku, Saitama-shi 331-0821, Japan
T +81 48 662 4911
F +81 48 662 4955
sales-jp@enerpac.com

Middle East, Egypt and Libya

ENERPAC Middle East FZE
Plot M00737m 1242nd Street
Jebel Ali Free Zone North
P.O. Box 18004, Dubai
United Arab Emirates
T +971 (0)4 8872686
F +971 (0)4 8872687
sales-ua@enerpac.com

Norway

Sales Office Norway
Unit 524, Nydalsveien 28, 0484 Oslo
P.O. Box 4814, Nydalen 0422 Oslo
Norway
Tel: +47 91 578 300
insidesalesnorway@enerpac.com

Russia

Rep. office Enerpac
Russian Federation
Admirala Makarova Street 8
125212 Moscow, Russia
T +7 495 98090 91
F +7 495 98090 92
sales-ru@enerpac.com

Southeast Asia, Hong Kong and Taiwan

Actuant Asia Pte Ltd.
83 Joo Koon Circle
Singapore 629109
T +65 68 63 0611
F +65 64 84 5669
Toll Free: +1800 363 7722
sales-sg@enerpac.com

South Korea

Actuant Korea Ltd.
3Ba 717, Shihwa Industrial Complex
Jungwang-Dong, Shihung-Shi,
Kyunggi-Do
Republic of Korea 429-450
T +82 31 434 4506
F +82 31 434 4507
sales-kr@enerpac.com

Spain and Portugal

ENERPAC SPAIN, S.L.
Avda. Valdelaparra N° 27 3ª - L8
28108 Alcobendas (Madrid), Spain
T +34 91 884 86 06
F +34 91 884 86 11
sales-es@enerpac.com

Sweden, Denmark

Finland and Iceland
Enerpac Scandinavia AB
Kopparlundsvägen 14,
721 30 Västerås
Sweden
T +46 (0) 771 41 50 00
scandinavianinquiries@enerpac.com

The Netherlands, Belgium, Luxembourg, Central and Eastern Europe, Baltic States, Greece, Turkey and CIS countries

ENERPAC B.V.
Galvanistraat 115, 6716 AE Ede
P.O. Box 8097, 6710 AB Ede
The Netherlands
T +31 318 535 911
F +31 318 535 848
sales-nl@enerpac.com

Enerpac Integrated Solutions B.V.

Spinelstraat 15, 7554 TS Hengelo
P.O. Box 421, 7550 AK Hengelo
The Netherlands
T +31 74 242 20 45
F +31 74 243 03 38
integratedsolutions@enerpac.com

South Africa and other English speaking African countries

Enerpac Africa Pty Ltd.
No. 5 Bauhinia Avenue
Cambridge Office Park
Block E
Highveld Techno Park
Centurion 0157
Republic of South Africa
T: +27 12 940 6656
sales-za@enerpac.com

United Kingdom and Ireland

ENERPAC UK Ltd.
5 Coopies Field
Morpeth, Northumberland
NE61 6JR, England
T +44 1670 5010 00
sales-uk@enerpac.com

USA, Latin America and Caribbean

ENERPAC World Headquarters +27 12
P.O. Box 3241
Milwaukee WI 53201-3241 USA
N86 W12500 Westbrook Crossing
Menomonee Falls, Wisconsin 53051
T +1 262 293 1600
F +1 262 293 7036
User inquiries:
T +1 800 433 2766
Distributor inquiries/orders:
T +1 800 558 0530
F +1 800 628 0490
Technical inquiries:
techservices@enerpac.com
sales-us@enerpac.com

All Enerpac products are guaranteed against defects in workmanship and materials for as long as you own them.

For the location of your nearest authorized Enerpac Service Center, visit us at www.enerpac.com