

Please read and save these instructions. Read carefully before attempting to assemble, install, operate or maintain the product described. Protect yourself and other by observing all safety information. Failure to comply with instructions could result serious or fatal injury and/or property damage! Retain instructions for future reference.

Dayton® Equipment Mover

Description

Dayton Equipment Mover are designed for use safe, easy lifting and transportation of large, bulky loads. Each unit must use in pairs. And each unit is equipped with fork, hydraulic jack, operation handle, support frame and moving frame, casters, and all mounting hardware.



Figure 1

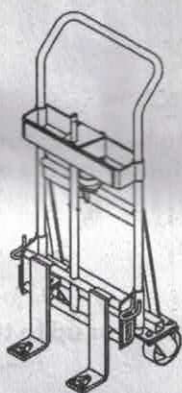


Figure 2

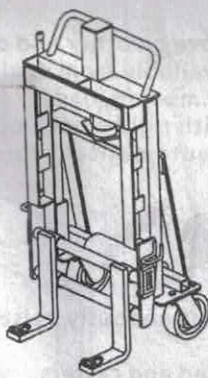


Figure 3

5. Equipment Mover are intended for movement of loads and are not intended for positioning loads in a raised position for extended period of time. Do not leave units unattached with load in raised position.
6. Do not use units on inclines.
7. Inspect unit thoroughly, daily, before operating. Make sure that all attachments and fasteners are completely tightened.
8. When units are not in use, they should be completely lowered and release valve tightened.
9. Do not operate a damaged unit until it is completely repaired.
10. Always remove load before repairing.
11. Warning: units are unstable if handled improperly. Use caution when moving over uneven floors.

CAUTION

Never exceed the maximum capacity of the equipment mover.

1. Units must be connected with load binders before load is lifted.
2. Only intended for use in pairs.
3. Make sure load is centered on forks.
4. Never move the unit unless the forks are in the lower position.

Unpacking

Upon receipt, visually inspect for product damage. If damage is evident, notify delivering carrier immediately and file necessary claims.

Specifications

Model	Load Capacity (lbs)	Lift (in)	Net Weight (lbs)	Model	Load Capacity (lbs)	Lift (in)	Net Weight (lbs)
13V409	2000	5	160	13V416	6000	6	310
13V410	2000	5	165	13V417	6000	12	360
13V411	4000	10	200	13V418	6000	12	360
13V412	4000	10	205	13V419	8000	6	400
13V413	4000	12	315	13V420	10000	6	485
13V414	4000	12	313	13V421	10000	6	480
13V415	6000	6	325				

Dayton® Equipment Mover

Operation

Units is ready to use as shipped, If hydraulic jack does not operate properly, contact the dealer you purchased unit from immediately.

- 1 With one foot placed securely on padded bar and both hands firmly gripping handle. Position forks of first unit under load. Make sure load is centered on forks..
2. Fork (rubber) must be in contact with load.
3. Position second unit in same manner as above on other end of load.
4. Connect the two units with load binders (available from dealer).
5. Two people are required for operating and moving loads.
6. 13V411 and 13V412 model are equipped with rigid wheel, operating handle to turn the units, and the others are equipped with swivel caster, units will automatically turn just following the operation force direction.

To lift

- (1) Pump up jack slowly on the pairs units simultaneously, raise load off floor up to the height required, but Do not over the specified lift height.
- (2) Keep hands and feet clear of bottom of load and casters.
- (3) Check placement of forks under load, Binders must be tight before moving.

To lower

- (1) Open jack release valve slowly on pair units simulatneously until load rests on floor.
- (2) Remove load binders.
- (3) Carefully remove unit forks from under load. Lower forks to floor before moving units.

For Repair Parts, Call 1-800-323-0620

24 hours a day-365 days a year

Please provide following information:

- Model number
- Serial number(if any)
- Part description and number as shown in part list

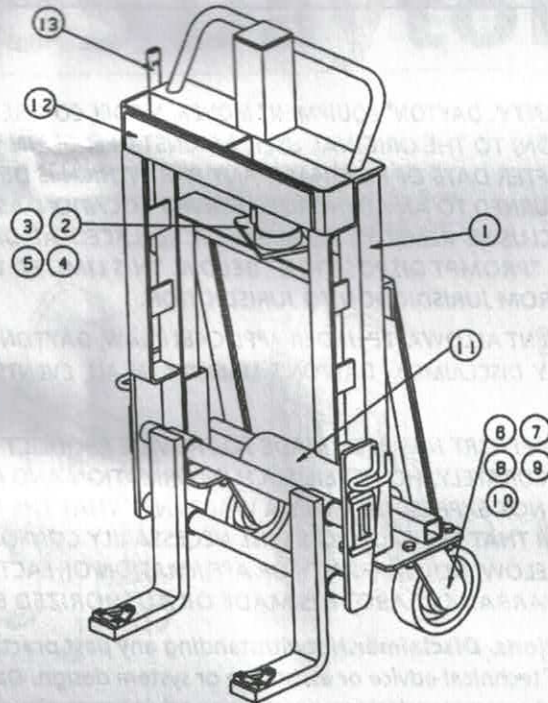


Figure 4- Repair parts illustration for Equipment Mover

Repair Parts List for Equipment Mover

Thru 13V409 to 13V412

NO.	Description	Part NO.	Qty.
1	Main Frame	*	2
2	Jack	*	2
3	Screw	*	4
4	Flat washer	*	4
5	Lock washer	*	4
6	Wheel Kit	**	2
7	Bolt	*	16
8	Flat Washer	*	16
9	Lock washer	*	16
10	Hex Nut	*	16
11	Bumper Tube	*	2
12	Rubber Pad	*	2
13	Jack handle	*	1

(*) Not provided as repair parts

(**) Part MH13V40901G for 13V409, Part MH13V41001G for 13V410, Part MH13V41101G for 13V411 & 13V412

(***) Part MH13V41301G/MH13V41401G for 13V413 & 13V414, Part MH13V41501G for 13V415 & 13V417, Part MH13V41601G for 13V416 & 13V418, Part MH13V41901G/MH13V42001G/MH13V42101G for 13V419/13V420/13V421

Thru 13V413 to 13V421

NO.	Description	Part NO.	Qty.
1	Main Frame	*	2
2	Jack	*	2
3	Screw	*	4
4	Flat washer	*	4
5	Lock washer	*	4
6	Wheel Kit	***	2
7	Bolt	*	16
8	Flat Washer	*	16
9	Lock washer	*	16
10	Hex Nut	*	16
11	Bumper Tube	*	2
12	Rubber Pad	*	2
13	Jack handle	*	1

For Repair Parts, Call 1-800-323-0620

24 hours a day-365 days a year

Please provide following information:

- Model number
- Serial number(if any)
- Part description and number as shown in part list

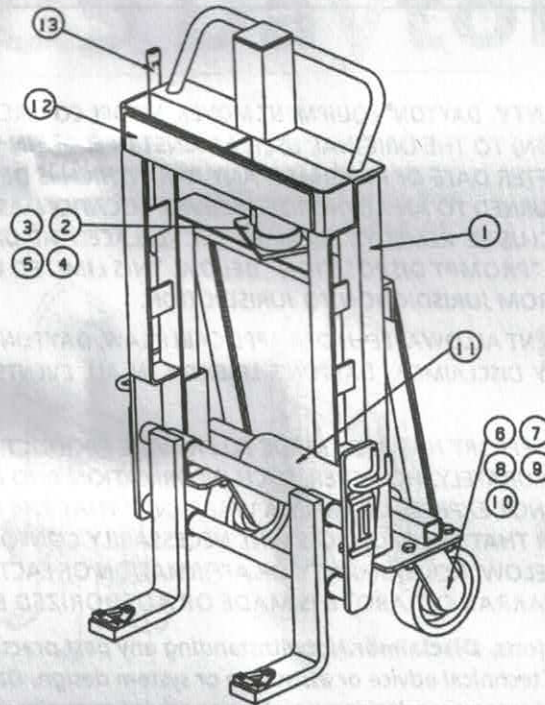


Figure 4- Repair parts illustration for Equipment Mover

Repair Parts List for Equipment Mover

Thru 13V409 to 13V412

NO.	Description	Part NO.	Qty.
1	Main Frame	*	2
2	Jack	*	2
3	Screw	*	4
4	Flat washer	*	4
5	Lock washer	*	4
6	Wheel Kit	**	2
7	Bolt	*	16
8	Flat Washer	*	16
9	Lock washer	*	16
10	Hex Nut	*	16
11	Bumper Tube	*	2
12	Rubber Pad	*	2
13	Jack handle	*	1

(*) Not provided as repair parts

(**) Part MH13V40901G for 13V409, Part MH13V41001G for 13V410, Part MH13V41101G for 13V411 & 13V412

(***) Part MH13V41301G/MH13V41401G for 13V413 & 13V414, Part MH13V41501G for 13V415 & 13V417, Part MH13V41601G for 13V416 & 13V418, Part MH13V41901G/MH13V42001G/MH13V42101G for 13V419/13V420/13V421

Thru 13V413 to 13V421

NO.	Description	Part NO.	Qty.
1	Main Frame	*	2
2	Jack	*	2
3	Screw	*	4
4	Flat washer	*	4
5	Lock washer	*	4
6	Wheel Kit	***	2
7	Bolt	*	16
8	Flat Washer	*	16
9	Lock washer	*	16
10	Hex Nut	*	16
11	Bumper Tube	*	2
12	Rubber Pad	*	2
13	Jack handle	*	1

Dayton® Equipment Mover

LIMITED WARRANTY

DAYTON ONE-YEAR LIMITED WARRANTY. DAYTON® EQUIPMENT MOVER, MODEL COVERED IN THIS MANUAL, ARE WARRANTED BY DAYTON ELECTRIC MFG. CO. (DAYTON) TO THE ORIGINAL USER AGAINST DEFECTS IN WORKMANSHIP OR MATERIALS UNDER NORMAL USE FOR ONE YEAR AFTER DATE OF PURCHASE. ANY PART WHICH IS DETERMINED TO BE DEFECTIVE IN MATERIAL OR WORKMANSHIP AND RETURNED TO AN AUTHORIZED SERVICE LOCATION, AS DAYTON DESIGNATES, SHIPPING COSTS PREPAID, WILL BE, AS THE EXCLUSIVE REMEDY, REPAIRED OR REPLACED AT DAYTON'S OPTION. FOR LIMITED WARRANTY CLAIM PROCEDURES, SEE "PROMPT DISPOSITION" BELOW. THIS LIMITED WARRANTY GIVES PURCHASERS SPECIFIC LEGAL RIGHTS WHICH VARY FROM JURISDICTION TO JURISDICTION.

LIMITATION OF LIABILITY. TO THE EXTENT ALLOWABLE UNDER APPLICABLE LAW, DAYTON'S LIABILITY FOR CONSEQUENTIAL AND INCIDENTAL DAMAGES IS EXPRESSLY DISCLAIMED. DAYTON'S LIABILITY IN ALL EVENTS IS LIMITED TO AND SHALL NOT EXCEED THE PURCHASE PRICE PAID.

WARRANTY DISCLAIMER. A DILIGENT EFFORT HAS BEEN MADE TO PROVIDE PRODUCT INFORMATION AND ILLUSTRATE THE PRODUCTS IN THIS LITERATURE ACCURATELY; HOWEVER, SUCH INFORMATION AND ILLUSTRATIONS ARE FOR THE SOLE PURPOSE OF IDENTIFICATION, AND DO NOT EXPRESS OR IMPLY A WARRANTY THAT THE PRODUCTS ARE MERCHANTABLE, OR FIT FOR A PARTICULAR PURPOSE, OR THAT THE PRODUCTS WILL NECESSARILY CONFORM TO THE ILLUSTRATIONS OR DESCRIPTIONS. EXCEPT AS PROVIDED BELOW, NO WARRANTY OR AFFIRMATION OF FACT, EXPRESSED OR IMPLIED, OTHER THAN AS STATED IN THE "LIMITED WARRANTY" ABOVE IS MADE OR AUTHORIZED BY DAYTON.

Technical Advice and Recommendations, Disclaimer. Notwithstanding any past practice or dealings or trade custom, sales shall not include the furnishing of technical advice or assistance or system design. Dayton assumes no obligations or liability on account of any unauthorized recommendations, opinions or advice as to the choice, installation or use of products.

Product Suitability. Many jurisdictions have codes and regulations governing sales, construction, installation, and/or use of products for certain purposes, which may vary from those in neighboring areas. While attempts are made to assure that Dayton products comply with such codes, Dayton cannot guarantee compliance, and cannot be responsible for how the product is installed or used. Before purchase and use of a product, review the product applications, and all applicable national and local codes and regulations, and be sure that the product, installation, and use will comply with them.

Certain aspects of disclaimers are not applicable to consumer products; e.g., (a) some jurisdictions do not allow the exclusion or limitation of incidental or consequential damages, so the above limitation or exclusion may not apply to you; (b) also, some jurisdictions do not allow a limitation on how long an implied warranty lasts, consequently the above limitation may not apply to you; and (c) by law, during the period of this Limited Warranty, any implied warranties of implied merchantability or fitness for a particular purpose applicable to consumer products purchased by consumers, may not be excluded or otherwise disclaimed.

Prompt Disposition. A good faith effort will be made for prompt correction or other adjustment with respect to any product which proves to be defective within limited warranty. For any product believed to be defective within limited warranty, first write or call dealer from whom the product was purchased. Dealer will give additional directions. If unable to resolve satisfactorily, write to Dayton at address below, giving dealer's name, address, date, and number of dealer's invoice, and describing the nature of the defect. Title and risk of loss pass to buyer on delivery to common carrier. If product was damaged in transit to you, file claim with carrier.

Manufactured for Dayton Electric Mfg. Co., 5959 W Howard St., Niles, Illinois 60045-5201 U.S.A.

**Manufactured for Dayton Electric Mfg. Co.
Niles, Illinois 60045 U.S.A.**

Dayton®