

Confined Space Safety Tripod (Model TRP05A2)

Read carefully before using this Equipment. Standards: AS/NZS 5532:2013.

The B-Safe TRP05A2 Confined Space Tripod is made from lightweight extruded aluminium alloy legs and high strength cast aluminium alloy head and feet. TRP05A2 has been successfully tested according to the requirements of AS/NZS5532:2013.

Head Anchorage rated to 21kN is provided in the cast head to accommodate fall arrest devices or positioning equipment. The head also has an integral diversion wheel for directing the cable of leg mounted Recovery Inertia Reels or Winches.

The legs of TRP05A2 are fully adjustable with independent incremental movement of each leg secured by quick release safety pins retained adjacent to position.

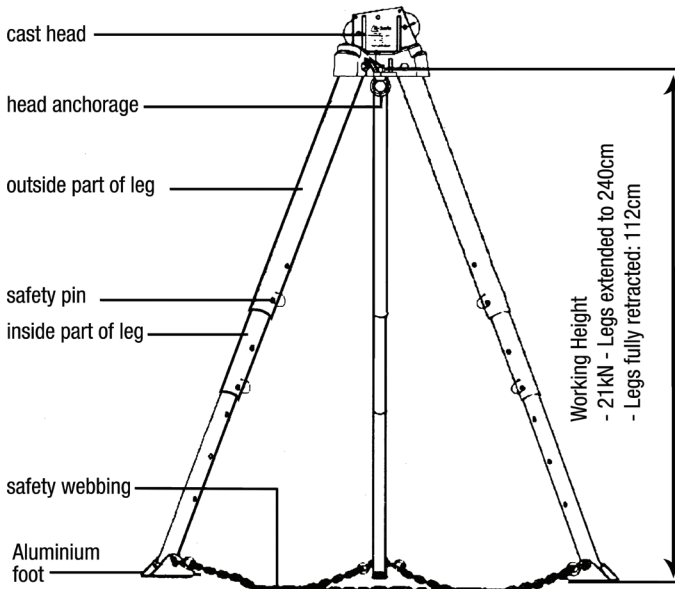
Only persons trained the operation of TRP05A2 and competent in the requirements for Confined Space shall use this equipment. Confined Space Access requires that a rescue plan be identified and capable of being implemented shall be in place before attempting any access.

Technical Specifications

- Rated Working Load Limit (WLL): 750kG or 2 Persons
- Rated Load: 21kN (2 Person Fall Arrest)
- Working Height:
Fully extended: 240cm, Retracted: 112cm
- Weight: 20.5kG
- Dimensions Folded: 144cm x 27cm x 27cm

Features

- High Strength Cast Aluminium Alloy Head and Feet.
- 21kN rated Head Anchorage
- Integral Cable Diversion Wheel
- Telescopic Extruded Aluminium Alloy Legs secured with quick release retained safety pins
- Swivel feet for terrain alignment
- Lightweight Safety Webbing to feet for preventing leg spread under load.

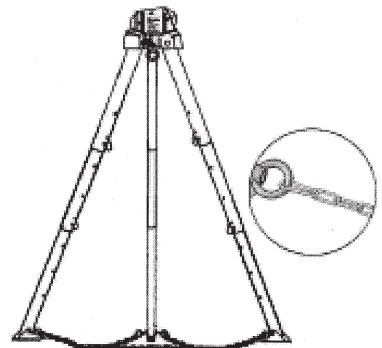
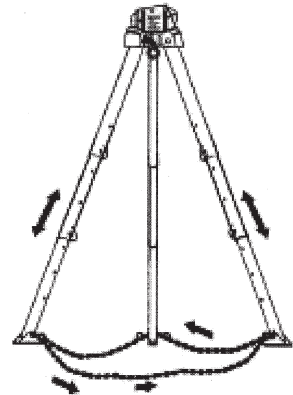
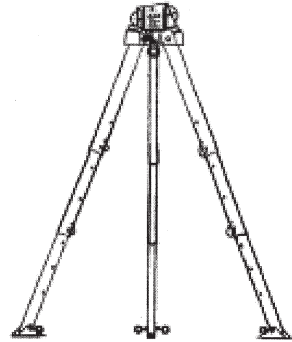
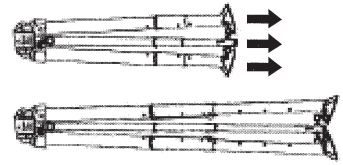


INSTALLATION PROCEDURE

Erecting the Tripod

1. Lay the Tripod horizontally on flat, stable, hard ground.
Extend inner part of legs to desired length. Lock the inner part of the legs to the outer part of the legs via the safety pins
2. Hold the Tripod in a vertical/upright position and spread the legs and lock in place
3. Ensure that all feet are positioned flat and on stable ground. Ensure the Tripod is perpendicular to the working surface (adjust telescopic legs if needed)
4. Feed the safety webbing around the three (3) eyebolts at the bottom of the telescopic legs and secure with the connector.

Safety Warning: When securing the safety webbing, ensure all workers are aware of the potential trip hazard



PRE-USE CHECK

1. Ensure that the safety pins are completely inserted into the legs and secured in place
2. Ensure that the leg support spread safety webbing is installed at the base of each foot to prevent creeping or slipping due to horizontal force
3. At all times when working with the Tripod, workers must be attached to an appropriate Fall Arrest system

DISMANTLING THE TRIPOD

1. Remove safety webbing from base of feet
2. Remove the safety pins on the legs and push the legs inwards
3. Lay Tripod horizontally and retract the telescopic legs inwards after removing the safety pins

NOTE: Some states require LICENSING for the use of this equipment. Please check you applicable Regulatory Authority for these conditions.

WITHDRAWAL FROM SERVICE

1. The TRP05A2 Tripod must be immediately withdrawn from service and 'Tagged Out' if it has been exposed a fall arrest situation
2. The Tripod must be sent back to the manufacturer or its representative for a full inspection. The Tripod will be assessed for any damage and its suitability for future use.

ADMISSIBLE TIME OF USE

The tripod can be used for twelve (12) months from the date when it was put into operation. On the twelve (12) month anniversary the tripod must be withdrawn from service and sent back to the manufacturer or its representative for a re-certification inspection

WARNING

TRP05A2 Tripod is part of a Confined Space Access System affording Fall Arrest, Personnel raising and lowering to the system – access/positioning and rescue. These instructions are provided with the equipment as manufactures instructions for maintenance and use. The instructions provided for all equipment must be read and followed. Serious injury or death could result if alterations are made or the equipment is misused.

LABEL


IMPORTANT - Only Personnel Fully Trained in its use are to use this equipment.				
Beaver Brands Pty Ltd 55 Sarah Andrews Cl Erskine Park 2759				Ph 1300 783 606 Fax 02 8882 5899
Product Code	TRP05A2	Date of Manufacture mm yyyy	AS/NZS5532 2013	Serial Number yyyymmxxx

Important - Only Personnel Fully Trained in its use are to use this equipment

B-Safe Tripod - Aluminium Model c/w Telescopic Legs

Maximum number of users attached to Tripod : 2 Persons Freefall

AS/NZS5532:2013 Manufacturers Instructions must be followed



PRODUCT IDENTITY CARD

Serial Number Date of Manufacture

Name of User

Date of Purchase Date put into service

12 Monthly Inspections

Date	Comments	Initials

B - SAFE CONFINED SPACES EQUIPMENT