

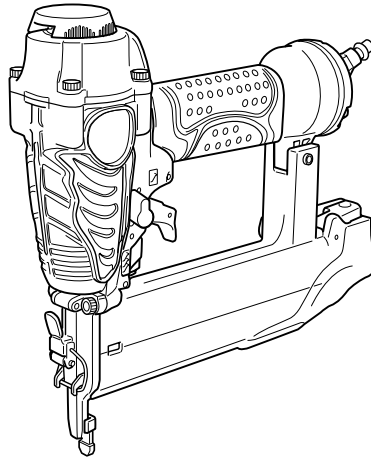
HITACHI

Instruction and safety manual
Manuel d'instructions et de sécurité
Instrucciones y manual de seguridad

Model
Modèle
Modelo

NT 50AE2 (S) • NT 32AE2 (S)

Brad Nailer
Cloueur pour Brads
Clavadora para Brads



⚠ DANGER

Improper use of this Nailer can result in death or serious injury!
This Manual contains important information about product safety.
Read and understand this Manual before operating the Nailer.
Never allow anyone who has not reviewed this manual.

⚠ DANGER

Une utilisation incorrecte et sans respecter la sécurité de ce cloueur risque d'entraîner la mort ou des blessures graves !
Ce manuel renferme des instructions importantes sur la sécurité de l'outil.
Lire et bien assimiler ce manuel avant d'utiliser le cloueur.
Ne jamais laisser les personnes n'ayant pas étudié le manuel utiliser l'outil.

⚠ PELIGRO

¡La utilización inadecuada e insegura de este clavador puede resultar en lesiones serias o en la muerte!
Este manual contiene información importante sobre la seguridad del producto.
Lea y entienda este manual antes de utilizar el clavador.
No deje manejar esta herramienta a nadie que no haya leído este manual.

Hitachi Koki

CONTENTS

English

	Page		Page
IMPORTANT SAFETY INFORMATION	3	WORKING ENVIRONMENT	10
DEFINITIONS OF SIGNAL WORDS	3	AIR SUPPLY	11
EXPLANATION OF THE NAILING ACTION OF THE HITACHI NAILER	3	LUBRICATION	12
SAFETY		COLD WEATHER CARE	13
IMPORTANT SAFETY INSTRUCTIONS FOR USING NAILERS	4	TESTING THE NAILER	13
EMPLOYER'S RESPONSIBILITIES	7	ADJUSTING AIR PRESSURE	16
OPERATION		LOADING NAILS	16
NAME OF PARTS	8	NAILER OPERATION	17
SPECIFICATIONS	9	METHODS OF OPERATION	19
NAIL SELECTION	9	ADJUSTING THE NAILING DEPTH	21
ACCESSORIES	10	CHANGING THE EXHAUST DIRECTION	22
STANDARD ACCESSORIES	10	USING THE NOSE CAP	22
OPTIONAL ACCESSORIES	10	MAINTENANCE	
APPLICATIONS	10	MAINTENANCE AND INSPECTION	23
BEFORE OPERATION	10	SERVICE AND REPAIRS	25
		PARTS LIST	80

TABLE DES MATIERES

Français

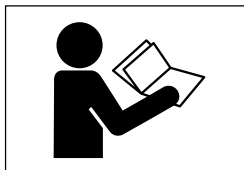
	Page		Page
INFORMATION DE SECURITE IMPORTANTE	27	ENVIRONNEMENT DE TRAVAIL	35
DEFINITION DES MOTS DE SIGNALISATION	27	ALIMENTATION D'AIR	36
EXPLICATION DE L'ACTION DE CLOUAGE DU CLOUEUR HITACHI	27	GRAISSAGE	37
SECURITE		ENTRETIEN PAR TEMPS FROID	38
CONSIGNES DE SECURITE IMPORTANTES POUR L'UTILISATION DU CLOUEUR	28	ESSAI DU CLOUEUR	38
RESPONSABILITES DE L'EMPLOYEUR	32	REGLAGE DE LA PRESSION D'AIR	41
UTILISATION		CHARGEMENT DES CLOUS	41
NOM DES PIECES	33	UTILISATION DU CLOUEUR	43
SPECIFICATIONS	34	METHODES D'UTILISATION	45
SELECTION DES CLOUS	34	REGLAGE DE LA PROFONDEUR DE CLOUAGE ...	47
ACCESSOIRES	35	CHANGEMENT DU SENS D'ECHAPPEMENT ...	48
ACCESSOIRES STANDARD	35	UTILISATION DU CAPUCHON DE BEC	48
ACCESSOIRES EN OPTION	35	ENTRETIEN	
APPLICATIONS	35	ENTRETIEN ET INSPECTION	49
AVANT L'UTILISATION	35	ENTRETIEN ET REPARATIONS	51
		LISTE DES PIECES	80

ÍNDICE

Español

	Página		Página
INFORMACIÓN DE SEGURIDAD IMPORTANTE ...	53	ENTORNO DE TRABAJO	61
DEFINICIÓN DE LAS PALABRAS CLAVE	53	SUMINISTRO DE AIRE	62
EXPLICACIÓN LA ACCIÓN DE CLAVADO DEL CLAVADOR HITACHI	53	LUBRICACIÓN	63
SEGURIDAD		CUIDADOS PARA CLIMAS FRÍOS	64
INSTRUCCIONES IMPORTANTES DE SEGURIDAD PARA LA UTILIZACIÓN DEL CLAVADOR	54	PRUEBA DEL CLAVADOR	64
RESPONSABILIDADES DEL EMPRESARIO	58	AJUSTE DE LA PRESIÓN DE AIRE	67
OPERACIÓN		CARGA DE CLAVOS	68
NOMENCLATURA	59	OPERACIÓN DEL CLAVADOR	69
ESPECIFICACIONES	60	MÉTODOS DE OPERACIÓN	71
SELECCIÓN DE CLAVOS	60	AJUSTE DE LA PROFUNDIDAD DE CLAVADO ...	73
ACCESORIOS	61	CAMBIO DEL SENTIDO DEL AIRE DE ESCAPE ...	74
ACCESORIOS ESTÁNDAR	61	UTILIZACIÓN DE LA TAPA PARA EL MORRO ..	74
ACCESORIOS OPCIONALES	61	MANTENIMIENTO	
APLICACIONES	61	MANTENIMIENTO E INSPECCIÓN	75
ANTES DE LA OPERACIÓN	61	SERVICIO Y REPARACIONES	77
		LISTA DE PIEZAS	80

IMPORTANT SAFETY INFORMATION



Read and understand tool labels and all of the operating instructions, safety precautions and warnings in this manual before operating or maintaining this nailer. Failure to follow warnings could result in **DEATH** or **SERIOUS INJURY**.

Most accidents that result from the operation and maintenance of Nailers are caused by the failure to observe basic safety rules or precautions. An accident can often be avoided by recognizing a potentially hazardous situation before it occurs, and by observing appropriate safety procedures.

Basic safety precautions are outlined in the “SAFETY” section of this Manual and in the sections which contain the operation and maintenance instructions.

Hazards that must be avoided to prevent bodily injury or machine damage are identified by DANGERS and WARNINGS on the Nailer and in this Manual.

Never use this Nailer for applications other than those specified in this Manual.

DEFINITIONS OF SIGNAL WORDS

DANGER indicates an imminently hazardous situation which, if not avoided, will result in death or serious injury.

WARNING indicates a potentially hazardous situation which, if not avoided, could result in death or serious injury.

CAUTION indicates a potentially hazardous situation which, if not avoided, may result in minor or moderate injury, or may cause machine damage.

NOTE emphasizes essential information.

EXPLANATION OF THE NAILING ACTION OF THE HITACHI NAILER

- **SINGLE SEQUENTIAL ACTUATION MECHANISM:**
First, press the push lever against the wood; next, pull the trigger to drive the fastener. After fastening once, fastening will not be possible again until the trigger is released and pressed again.
- **CONTACT ACTUATION MECHANISM:**
First, press the push lever against the wood; next, pull the trigger to drive the fastener. First, pull the trigger; next, press the push lever against the wood to drive the fastener. If the trigger is held back, a fastener will be driven each time the push lever is pressed against the wood.

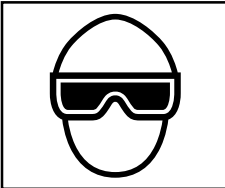
SAFETY

IMPORTANT SAFETY INSTRUCTIONS FOR USING NAILERS

READ ALL INSTRUCTIONS

DANGER

- 1. OPERATORS AND OTHERS IN WORK AREA MUST WEAR SAFETY GLASSES WITH SIDE SHIELDS.**



When operating the Nailer, always wear safety glasses with side shields, and make sure others in work area wear safety glasses, too. Safety glasses must conform to the requirements of American National Standards Institute, ANSI Z87.1 and provide protection against flying particles both from the front and side.

The employer must enforce the use of safety glasses by the Nailer operator and others in work area.

- 2. NEVER USE OXYGEN OR OTHER BOTTLED GASES. EXPLOSION MAY OCCUR.**



Never use oxygen, combustible gases or any other bottled gases as a power source for the Nailer.

Use of the above gases is dangerous, as the Nailer will explode. Use only clean, dry, regulated compressed air.

WARNING

- 3. NEVER POINT TOOL AT YOURSELF OR OTHERS IN WORK AREA.**



Always assume the Nailer contains fasteners.

Never point the Nailer at yourself toward yourself or others, whether it contains fasteners or not.

If fasteners are mistakenly driven, it can lead to severe injuries.

Never engage in horseplay with the Nailer.

Respect the Nailer as a working implement.

- 4. KEEP FINGERS AWAY FROM TRIGGER WHEN NOT DRIVING FASTENERS TO AVOID ACCIDENTAL FIRING.**

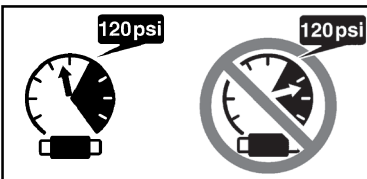
Never carry the Nailer with finger on trigger since you could drive a fastener unintentionally and injure yourself or someone else.

Always carry the Nailer by the handle only.

- 5. CHOICE OF TRIGGERING METHOD IS IMPORTANT.**

Read and understand section titled "METHODS OF OPERATION" (pages 19 – 21).

- 6. DO NOT EXCEED 120 psi. (8.3 bar 8.5 kgf/cm²)**



Do not exceed maximum recommended air pressure 120 psi (8.3 bar 8.5 kgf/cm²).

Never connect the Nailer to pressure which potentially exceeds 200 psi (13.7 bar 14 kgf/cm²) as the Nailer can burst.

SAFETY – Continued

WARNING

7. ALWAYS WEAR EAR AND HEAD PROTECTION.

Always wear ear protection to protect your ears from loud noise.
Always wear head protection to protect your head from flying objects.

8. STORE NAILER PROPERLY.

When not in use, the Nailer should be stored in a dry place. Keep out of reach of children.
Lock the storage area.

9. KEEP WORK AREA CLEAN.

Cluttered areas invite injuries. Clear all work areas of unnecessary tools, debris, furniture, etc.

10. NEVER USE IN PRESENCE OF FLAMMABLE LIQUIDS OR GASES.

The Nailer produces sparks during operation.
Never use the Nailer in sites containing lacquer, paint, benzene, thinner, gasoline, gases, adhesive agents, and other materials which are combustible or explosive.

11. KEEP VISITORS AWAY.

Do not let visitors handle the Nailer.
All visitors should be kept safely away from work area.

12. DRESS PROPERLY.

Do not wear loose clothing or jewelry as they can be caught in moving parts.
Rubber gloves and nonskid footwear are recommended when working outdoors.
Wear protective hair covering to contain long hair.

13. NEVER USE NON RELIEVING COUPLER ON NAILER.

If a non relieving coupler is used on the Nailer, the Nailer can remain charged with air after disconnecting and thus will be able to drive a fastener even after disconnecting.
The Nailer and air hose must have a hose coupling such that all pressure is removed from the Nailer when the coupling joint is disconnected.

14. CHECK PUSH LEVER BEFORE USE.

Make sure the push lever operates properly. (The push lever may be called "Safety".)
Never use the Nailer unless the push lever is operating properly, otherwise the Nailer could drive a fastener unexpectedly. Do not tamper with or remove the push lever, otherwise the push lever becomes inoperable.

15. KEEP ALL SCREWS AND COVERS TIGHTLY IN PLACE.

Keep all screws and covers tightly mounted. Check their condition periodically.
Never use the Nailer if parts are missing or damaged.

16. DO NOT LOAD FASTENERS WITH TRIGGER PULLED OR PUSH LEVER DEPRESSED.

When loading fasteners into the Nailer or when connecting the air hose,
1) do not pull the trigger;
2) do not depress the push lever; and
3) keep the Nailer pointed downward.

17. KEEP FACE, HANDS AND FEET AWAY FROM FIRING HEAD AT ALL TIMES.

Never place your face, hands or feet near the firing head.

18. PLACE NAILER PROPERLY ON WORKPIECE.

Do not drive fasteners on top of other fasteners or with the Nailer at too steep of an angle; the fasteners can ricochet and hurt someone.

19. BEFORE STARTING WORK, CHECK THE FASTENING OPERATION SWITCHING DEVICE.

This Hitachi nailer includes a fastening operation switching device.
Before starting work, check the setting of the operation switching device.
If the switching device is not set properly, the nailer will not operate correctly.

SAFETY – Continued

WARNING

20. BE CAREFUL OF DOUBLE FIRE DUE TO RECOIL.

If the push lever is unintentionally allowed to re-contact the workpiece following recoil, an unwanted fastener will be driven.

In order to avoid this undesirable double fire,

- Intermittent operation (Trigger firing)
 - 1) Set the switching device to SINGLE SEQUENTIAL ACTUATION MECHANISM.
 - 2) Pull the trigger rapidly and firmly.
- Continuous operation (Push lever firing)
 - 1) Do not press the nailer against the wood with excessive force.
 - 2) Separate the nailer from the wood as it recoils after fastening.

21. DO NOT DRIVE FASTENERS INTO THIN BOARDS OR NEAR CORNERS AND EDGES OF WORKPIECE.

The fasteners can be driven through or away from the workpiece and hit someone.

22. NEVER DRIVE FASTENERS FROM BOTH SIDES OF A WALL AT THE SAME TIME.

The fasteners can be driven into and through the wall and hit a person on the opposite side.

23. CHECK FOR LIVE WIRES.

Avoid the risk of severe electrical shock by checking for live electrical wires that may be hidden by walls, floors or ceilings. Turn off the breaker switch to ensure there are no live wires.

24. NEVER CARRY NAILER BY HOSE.

25. DO NOT OVERREACH.

Keep proper footing and balance at all times.

26. NEVER USE NAILER WHICH IS DEFECTIVE OR OPERATING ABNORMALLY.

If the Nailer appears to be operating unusually, making strange noises, or otherwise appears defective, stop using it immediately and arrange for repairs by a Hitachi authorized service center.

27. DO NOT DISCONNECT AIR HOSE FROM NAILER WITH FINGER ON TRIGGER.

The Nailer can fire when re-connected to an air supply.

28. DISCONNECT AIR HOSE FROM NAILER WHEN:

- 1) doing maintenance and inspection;
- 2) loading fasteners;
- 3) turning the adjuster and top cover;
- 4) attaching or removing the nose cap;
- 5) clearing a jam;
- 6) it is not in use;
- 7) leaving work area;
- 8) moving it to another location; and
- 9) handing it to another person.

Never attempt to clear a jam or repair the Nailer unless you have disconnected air hose from the Nailer and removed all remaining fasteners from the Nailer.

The Nailer should never be left unattended since people who are not familiar with the Nailer might handle it and injure the themselves.

29. STAY ALERT.

Watch what you are doing. Use common sense.

Do not operate the Nailer when you are tired.

The Nailer should never be used by you if you are under the influence of alcohol, drugs or medication that makes you drowsy.

SAFETY – Continued

WARNING

30. HANDLE NAILER CORRECTLY.

Operate the Nailer according to this Manual.

Never allow the Nailer to be operated by children, individuals unfamiliar with its operation or unauthorized personnel.

31. NEVER USE NAILER FOR APPLICATIONS OTHER THAN THOSE SPECIFIED IN THIS MANUAL.

32. HANDLE NAILER CAREFULLY.

Because of high air pressure in the Nailer, cracks in the surface are dangerous.

To avoid this, do not drop the Nailer or strike the Nailer against hard surfaces; and do not scratch or engrave signs on the Nailer. Handle the Nailer carefully.

33. MAINTAIN NAILER WITH CARE.

Keep the Nailer clean and lubricated for better and safer performance.

34. USE ONLY PARTS, ACCESSORIES OR FASTENERS SUPPLIED OR RECOMMENDED BY HITACHI.

Unauthorized parts, accessories, or fasteners may void your warranty and can lead to malfunction and resulting injuries.

Only service personnel trained by Hitachi, distributor or employer shall repair the Nailer.

35. NEVER MODIFY OR ALTER A NAILER.

Doing so may cause it to malfunction and personal injuries may result.

EMPLOYER'S RESPONSIBILITIES

1. Ensure that this MANUAL is available to operators and personnel performing maintenance.
2. Ensure that Nailers are used only when operators and others in work area are wearing EYE PROTECTOR.
3. Enforce the use of EYE PROTECTOR by operators and others in work area.
4. Keep Nailers in safe working order.
5. Maintain Nailers properly.
6. Ensure that Nailers which require repair are not further used before repair.

SAVE THIS MANUAL AND KEEP IT AVAILABLE FOR OTHERS!

OPERATION

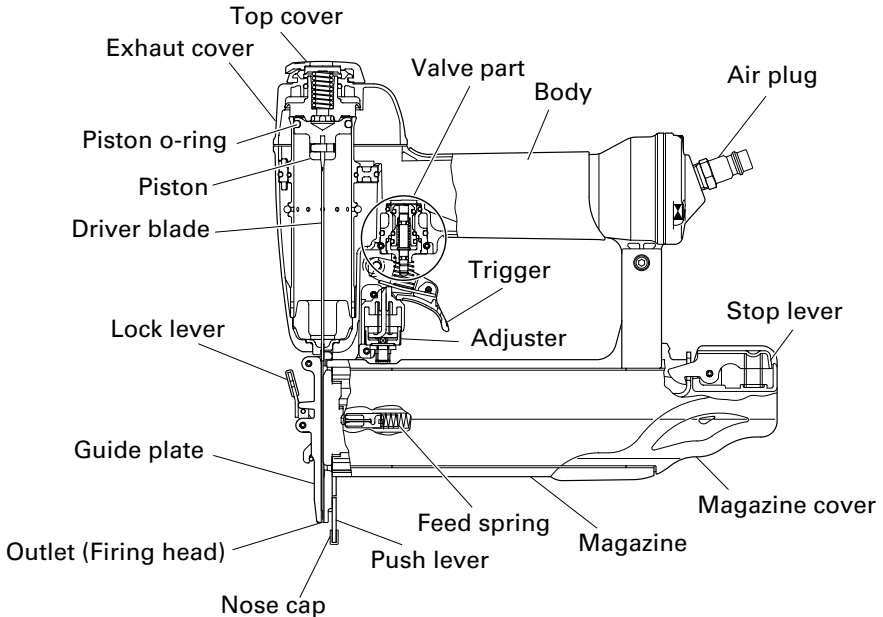
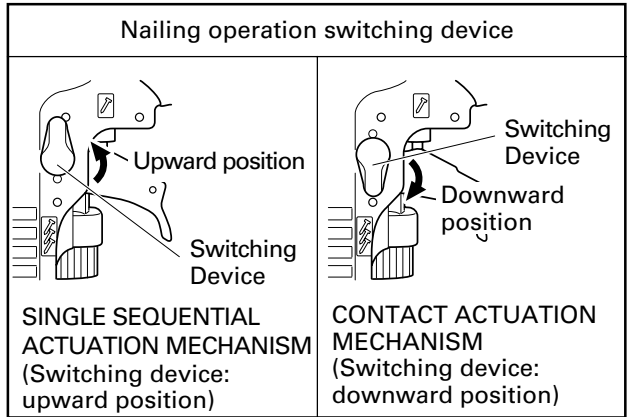
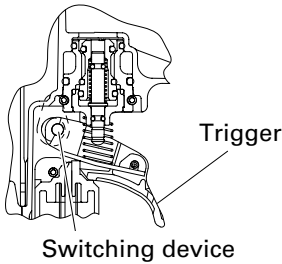
NOTE:

The information contained in this Manual is designed to assist you in the safe operation of the Nailer.

Some illustrations in this Manual may show details or attachments that differ from those on your own Nailer.

NAME OF PARTS

Enlarged view of the valve part



SPECIFICATIONS

Model	NT50AE2 (S)	NT32AE2 (S)
Operating pressure	70 – 120 psi (4.9 – 8.3 bar, 5 – 8.5 kgf/cm ²)	
Dimensions Length × Height × Width	10" × 9-3/16" × 2-3/8" (254 mm × 233 mm × 60 mm)	10" × 7-3/4" × 2-3/8" (254 mm × 197 mm × 60 mm)
Weight	2.2 lbs. (1.0 kg)	2.0 lbs. (.9 kg)
Nail capacity	100 Nails	
Air consumption	.025 ft ³ /cycle at 100 psi (.73 ltr/cycle at 6.9 bar) (.73 ltr/cycle at 7 kgf/cm ²)	

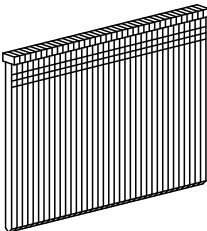
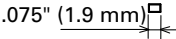
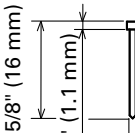
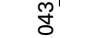
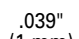
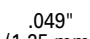


NAIL SELECTION

⚠ WARNING

- Be sure to use only the genuine HITACHI nails for the NT50AE2 (S), NT32AE2 (S). The use of any other nails can result in tool malfunction and/or nail breakdown, leading to serious injuries.

Only nails shown in the Table below can be driven with this Nailer.

Dimensions of nails

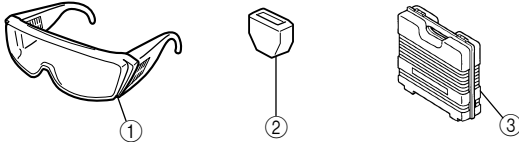
18 Gauge brad nails	Min.		Max.	
	NT50AE2 (S) • NT32AE2 (S)		NT50AE2 (S)	NT32AE2 (S)
	    			

ACCESSORIES

⚠ WARNING

- Accessories other than those shown below can lead to malfunction and resulting injuries.

STANDARD ACCESSORIES



①	Safety glasses	1
②	Nose cap (mounted on tool)	2
③	Case	1

OPTIONAL ACCESSORIES ... sold separately

- Pneumatic Tool Lubricant
 - 1 oz. (30 cc) oil feeder (Code No.877153)
 - 4 oz. (120 cc) oil feeder (Code No.874042)
 - 1 quart (1 ltr) can (Code No.876212)

NOTE: Accessories are subject to change without any obligation on the part of HITACHI.

APPLICATIONS

- Cabinet and picture frame assembly, furniture trim.
- On-site and mobile home trim and molding.

BEFORE OPERATION

Read section titled "SAFETY" (pages 4 – 7).

Make sure of the followings before operation.

WORKING ENVIRONMENT

⚠ WARNING

- No flammable gas, liquid or other flammable objects at worksite.
- Clear the area of children or unauthorized personnel.

AIR SUPPLY

DANGER



- **NEVER** use oxygen or other bottled gases. Explosion may occur.

WARNING

- **Never connect Nailer to pressure which potentially exceeds 200 psi (13.7 bar 14 kgf/cm²).**
- **Never use non relieving coupler on Nailer.**

1. Power source

- Use only clean, dry, regulated compressed air as a power source for this Nailer.
- Air compressors used to supply compressed air to this Nailer must comply with the requirements of the latest version of ANSI Standard B 19.3 "Safety Standard For Compressors For Process Industries."
- Moisture or oil in the air compressor may accelerate wear and corrosion in the Nailer. Drain daily.

2. Filter-Regulator-Lubricator

- Use a regulator with a pressure range of 0 – 120 psi (0 – 8.3 bar 0 – 8.5 kgf/cm²).
- Filter-regulator-lubricator units supply an optimum condition for the Nailer and extend the Nailer life. These units should always be used.

Filter

The filter removes moisture and dirt mixed in compressed air. Drain daily unless fitted with an automatic drain.

Keep the filter clean by regular maintenance.

Regulator

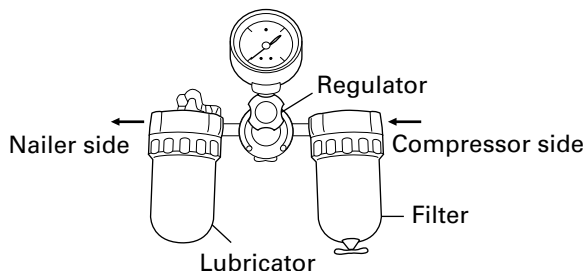
The regulator controls the operating pressure for safe operation of the Nailer.

Lubricator

Inspect the regulator before operation to be sure it operates properly. The lubricator supplies an oil mist to the Nailer.

Inspect the lubricator before operation to be sure the supply of lubricant is adequate.

Use Hitachi pneumatic tool lubricant.



3. Air hose

Air hose must have a minimum working pressure rating of 150 psi (10.4 bar 10.6 kgf/cm²) or 150% of the maximum pressure produced in the system, whichever is higher.

4. Air consumption

Using the Air consumption table and the Air compressor size formula, find a correct compressor size.

Air consumption table

Operating pressure	psi	80	90	100
	(bar)	(5.5)	(6.2)	(6.9)
	(kgf/cm ²)	(5.6)	(6.3)	(7)
Air consumption	ft ³ /cycle (ltr/cycle)	.019 (.55)	.023 (.64)	.025 (.73)

Air compressor size formula

Amount of air required

= number of Nailers

× average nails driven each minute per Nailer

× air consumption at given air pressure

× safety factor (always 1.2)

Example: 3 Nailers (NT50AE2 (S) or NT32AE2 (S)) operating at 100 psi driving 30 nails per minute

Amount of air required

= $3 \times 30 \times .025 (.73) \times 1.2$

= 2.7 CFM (ft³/min) (78.8 ltr/min)

After making the calculations as shown above, you should find a compressor providing 2.7 CFM of air that is required.

LUBRICATION

It is important that the Nailer be properly lubricated.

Without proper lubrication, the Nailer will not work properly and parts will wear prematurely.

- Use Hitachi pneumatic tool lubricant.

Do not use detergent oil or additives. These lubricants will harm the O-rings and other rubber parts. This will cause the Nailer to malfunction.

- Filter-regulator-lubricator units should always be used.

Keep the lubricator filled with Hitachi pneumatic tool lubricant.

- If a lubricator is not available, supply 5 – 10 drops of Hitachi pneumatic tool lubricant into the air plug on the Nailer twice a day.

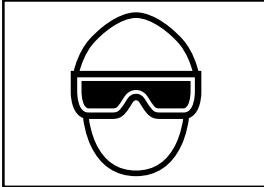

COLD WEATHER CARE

- Do not store the Nailer in a cold weather environment. Keep the Nailer in a warm area until beginning the work.
- If the Nailer is already cold, bring it in a warm area and allow the Nailer to warm up before use.
 - ① Reduce the air pressure to 70 psi (4.9 bar 5.0 kgf/cm²).
 - ② Remove all nails from the Nailer.
 - ③ Connect the air hose and free-fire (blank-fire) the Nailer. The lowered air pressure will be enough to free-fire the Nailer. Slow speed operation tends to warm up the moving part.

CAUTION:

- Do not free-fire the Nailer at high pressure.

TESTING THE NAILER

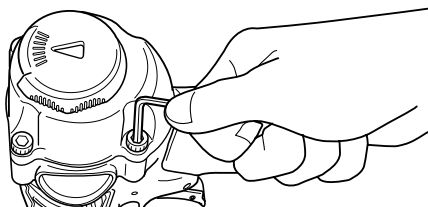
 DANGER	
	<ul style="list-style-type: none"> ● Operators and others in work area MUST wear safety glasses with side shields which conforms to ANSI Z87.1 specifications.
 WARNING	

- **Never use Nailer unless push lever is operating properly.**

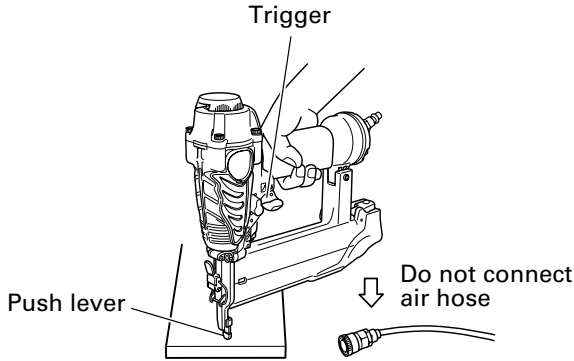
Before actually beginning the nailing work, test the Nailer by using the check list below. Conduct the tests in the following order.

If abnormal operation occurs, stop using the Nailer and contact a Hitachi authorized service center immediately.

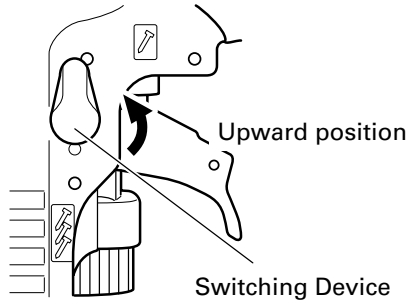
- (1) DISCONNECT AIR HOSE FROM NAILER.
REMOVE ALL NAILS FROM NAILER.
- ALL SCREWS MUST BE TIGHTENED.
If any screws are loose, tighten them.



- THE PUSH LEVER AND TRIGGER MUST MOVE SMOOTHLY.



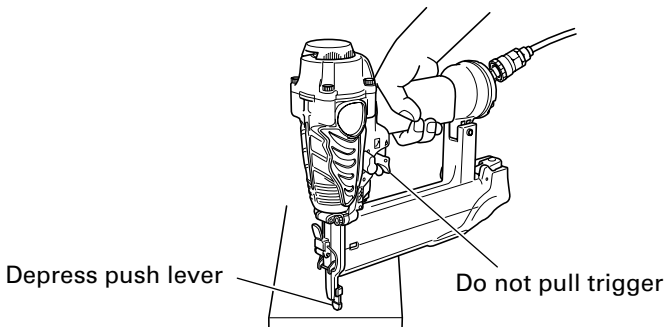
- (2) Adjust the air pressure to 70 psi (4.9 bar 5 kgf/cm²).
Connect the air hose.
Do not load any nails in the Nailer.
Set the switching device to the upward position (SINGLE SEQUENTIAL ACTUATION MECHANISM).
(Set the switching device to the upward position completely as shown in the diagram. Otherwise, it will not operate properly.)



- THE NAILER MUST NOT LEAK AIR.

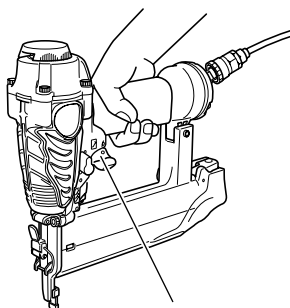
- (3) Remove the finger from the trigger and press the push lever against the wood.

- THE NAILER MUST NOT OPERATE.



- (4) Separate the push lever from the wood.
Next, point the nailer downward, pull the trigger and then wait in that position for 5 seconds or longer.

THE NAILER MUST NOT OPERATE.



Pull trigger

- (5) ① Without touching the trigger, depress the push lever against the workpiece.
Pull the trigger.

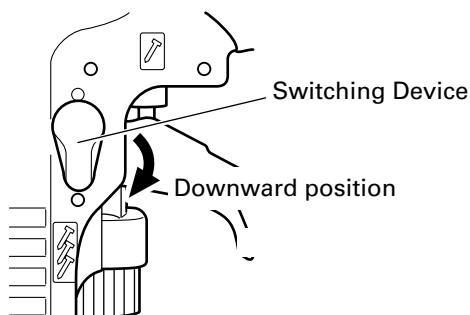
THE NAILER MUST OPERATE.

② Remove the finger from the trigger.

Nailer operation will end (the driver blade will return to the top).

- (6) Set the switching device to the downward position (CONTACT ACTUATION MECHANISM).

(Set the switching device to the downward position completely as shown in the diagram. Otherwise, it will not operate properly.)



With the Nailer off the workpiece, pull the trigger.
Depress the push lever against the workpiece.

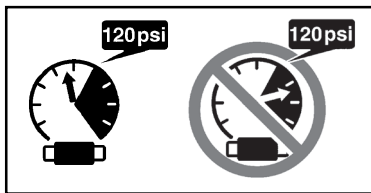
THE NAILER MUST OPERATE.

- (7) If no abnormal operation is observed, you may load nails in the Nailer.
Drive nails into the workpiece that is the same type to be used in the actual application.

THE NAILER MUST OPERATE PROPERLY.

ADJUSTING AIR PRESSURE

⚠ WARNING



- Do not exceed 120 psi (8.3 bar 8.5 kgf/cm²).

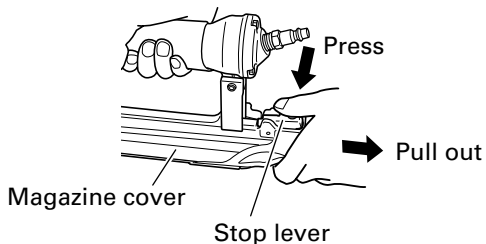
Adjust the air pressure at recommended operating pressure 70 – 120 psi (4.9 – 8.3 bar 5 – 8.5 kgf/cm²) according to the length of nails and the hardness of workpiece. The correct air pressure is the lowest pressure which will do the job. Using the Nailer at a higher than required air pressure unnecessarily over stresses the Nailer.

LOADING NAILS

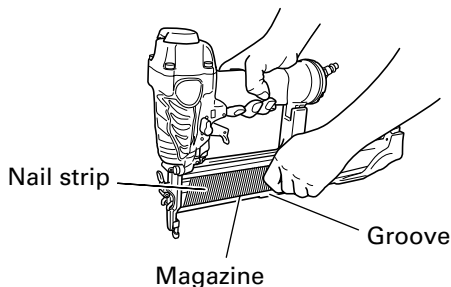
⚠ WARNING

- When loading nails into Nailer,
 - 1) do not pull trigger;
 - 2) do not depress push lever; and
 - 3) keep Nailer pointed downward.

(1) Lightly press the stop lever and gently pull out the magazine cover.

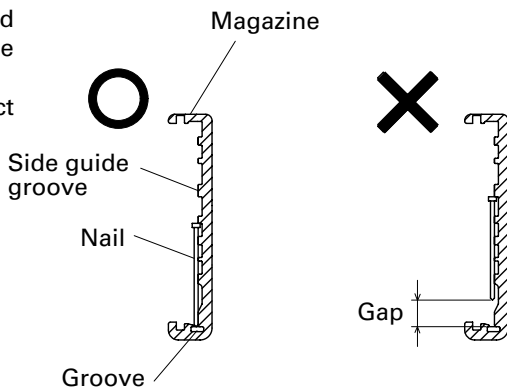


(2) Set nail strip into the magazine and keep the points of nails in contact with Groove.

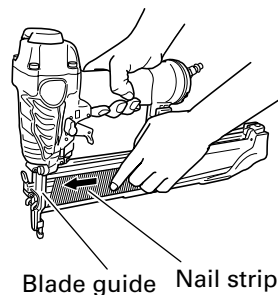


NOTE:

- The nails shown in page 9 can be loaded onto the side guide groove of the magazine without any adjustment. Always keep the points of nails in contact with Groove.




- (3) Slide the nail strip into the blade guide.



- (4) Confirm that nail strip is placed with side guide grooves and Groove properly, then push the magazine cover forward to be latched.

NAILER OPERATION

Read section titled "SAFETY" (pages 4 – 7).

⚠ DANGER	
	<ul style="list-style-type: none"> • Operators and others in work area MUST wear safety glasses with side shields which conforms to ANSI Z87.1 specifications.

 **WARNING**


- **NEVER** point tool at yourself or others in work area.
- Keep fingers **AWAY** from trigger when not driving nails to avoid accidental firing.
- Choice of triggering method is important.
Please read and understand "METHODS OF OPERATION" found below.
- Before starting work, check the nailing operation switching device.
This Hitachi nailer includes a nailing operation switching device. Before starting work, make sure that the switching device is properly set.
If the switching device is not set properly, the nailer will not operate correctly.
- Never place your face, hands or feet near firing head when using.
- Do not drive nails on top of other nails or with Nailer at too steep of an angle; nails can ricochet and hurt someone.
- Do not drive nails into thin boards or near corners and edges of workpiece. Nails can be driven through or away from workpiece and hit someone.
- Never drive nails from both sides of a wall at the same time. Nails can be driven into and through the wall and hit a person on the opposite side.
- Never use Nailer which is defective or operating abnormally.
- Do not use Nailer as hammer.
- Disconnect air hose from Nailer when:
 - 1) turning the adjuster and top cover;
 - 2) attaching or removing the nose cap;
 - 3) it is not in use;
 - 4) leaving work area;
 - 5) moving it to another location; and
 - 6) handing it to another person.

This Hitachi nailer is equipped with a nailer operation switching device. Use **SINGLE SEQUENTIAL ACTUATION MECHANISM** or **CONTACT ACTUATION MECHANISM** in accordance with the work to be performed.

Explanation of the various nailing operations

○ **SINGLE SEQUENTIAL ACTUATION MECHANISM:**

First, press the push lever against the wood; next, pull the trigger to drive the nail. After nailing once, nailing will not be possible again until the trigger is released and pressed again.

- **CONTACT ACTUATION MECHANISM:** First, press the push lever against the wood; next, pull the trigger to drive the nail.
First, pull the trigger; next, press the push lever against the wood to drive the nail.
If the trigger is held back, a nail will be driven each time the push lever is pressed against the wood.

METHODS OF OPERATION

This Nailer is equipped with the push lever and does not operate unless the push lever is depressed (upward position).

There are two methods of operation to drive nails with this Nailer.

They are:

1. Intermittent operation (Trigger fire):
 2. Continuous operation (Push lever fire):
- (1) Intermittent operation (Trigger fire)

Use the **SINGLE SEQUENTIAL ACTUATION MECHANISM** setting.

⚠ WARNING

- **For intermittent operation, set the switching device to the upward position completely. (i.e. Set to SINGLE SEQUENTIAL ACTUATION MECHANISM.)**

- **To avoid double firing or accidental firing due to recoil.**

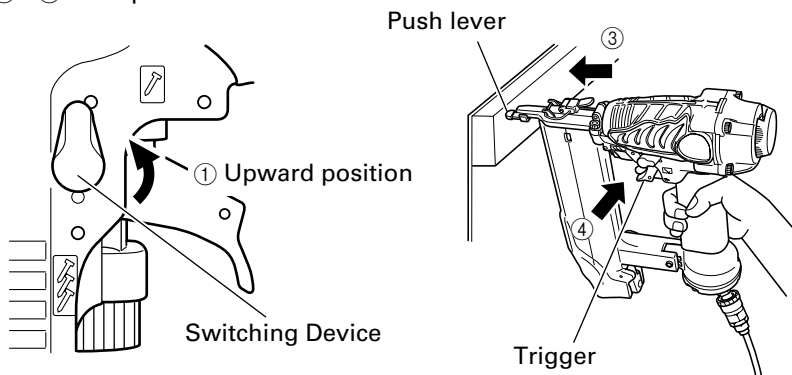
- 1) **Set the switching device to SINGLE SEQUENTIAL ACTUATION MECHANISM.**
- 2) **Pull the trigger rapidly and firmly.**

- ① Set the switching device to the upward position (to set to **SINGLE SEQUENTIAL ACTUATION MECHANISM**).

(Set the switching device to the upward position completely as shown in the diagram. Otherwise, it will be set to **CONTACT ACTUATION MECHANISM**.)

- ② Position the nail outlet on the workpiece with finger off the trigger.
- ③ Depress the push lever firmly until it is completely depressed.
- ④ Pull the trigger to drive a nail.
- ⑤ Remove finger from the trigger.

To continue nailing in a separate location, move the nailer along the wood, repeating steps ② - ⑤ as required.



⚠ WARNING

- **A nail will fire each time the trigger is depressed as long as the push lever remains depressed.**

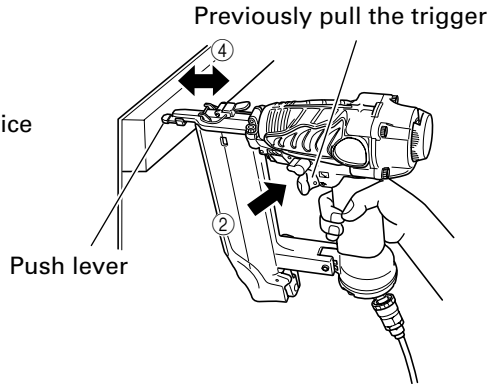
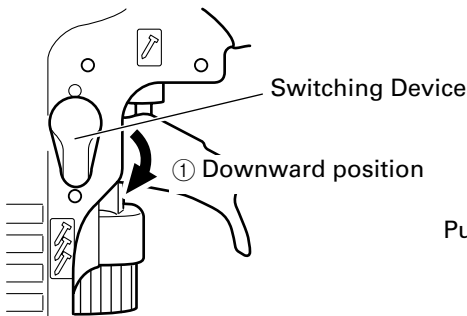
- (2) Continuous operation (Push lever fire)
Using CONTACT ACTUATION MECHANISM

⚠ WARNING

- **To avoid double firing or accidental firing due to recoil.**
 - 1) **Do not press the nailer against the wood with excessive force.**
 - 2) **Separate the nailer from the wood as it recoils after nailing.**

- ① Set the switching device to the downward position (to set to CONTACT ACTUATION MECHANISM).
(Set the switching device to the downward position completely as shown in the diagram. Otherwise, it will not operate properly.)
- ② Pull the trigger with the Nailer off the workpiece.
- ③ Depress the push lever against the workpiece to drive a nail.
- ④ Move the Nailer along the workpiece with a bouncing motion.
Each depression of the push lever will drive a nail.

As soon as the desired number of nails have been driven, remove finger from the trigger.



⚠ WARNING

- **Keep your finger off the trigger except during nailing operation, because serious injury could result if the push lever accidentally contacts you or others in work area.**
- **Keep hands and body away from the discharge area. This Hitachi nailer may bounce from the recoil of driving a nail and unwanted subsequent nail may be driven, possibly causing injury.**

The SINGLE SEQUENTIAL ACTUATION MECHANISM is for use where precision fastener placement is desired.

The SINGLE SEQUENTIAL ACTUATION MECHANISM may reduce the possibility of bodily injury to you or others in the work area compared to the CONTACT ACTUATION MECHANISM. **This is because it is less likely to drive an unwanted nail if you keep the trigger pulled and accidentally bump the push lever against yourself or others.**

The SINGLE SEQUENTIAL ACTUATION MECHANISM may also reduce the speed of operation compared to the CONTACT ACTUATION MECHANISM. The SINGLE SEQUENTIAL ACTUATION MECHANISM is recommended to inexperienced users.

NOTE:

- If all warnings and instructions are followed, safe operation is possible with two systems: SINGLE SEQUENTIAL ACTUATION MECHANISM, and CONTACT ACTUATION MECHANISM.
- Always handle nails and package carefully. If nails are dropped, collating bond may be broken, which will cause mis-feeding and jamming.
- After nailing:
 - 1) disconnect air hose from the Nailer;
 - 2) remove all nails from the Nailer;
 - 3) supply 5 – 10 drops of Hitachi pneumatic tool lubricant into the air plug on the Nailer; and
 - 4) open the petcock on the air compressor tank to drain any moisture.

ADJUSTING THE NAILING DEPTH

⚠ WARNING

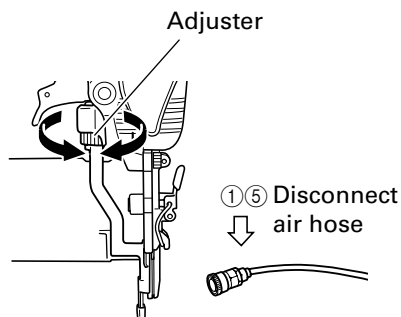
- **When adjusting the Adjuster, be sure to remove your finger from the trigger and disconnect the air hose from the nailer.**

To assure that each nail penetrates to the same depth, be sure that:

- 1) the air pressure to the Nailer remains constant (regulator is installed and working properly), and
- 2) the Nailer is always held firmly against the workpiece.

If nails are driven too deep or shallow into the workpiece, adjust the nailing in the following order.

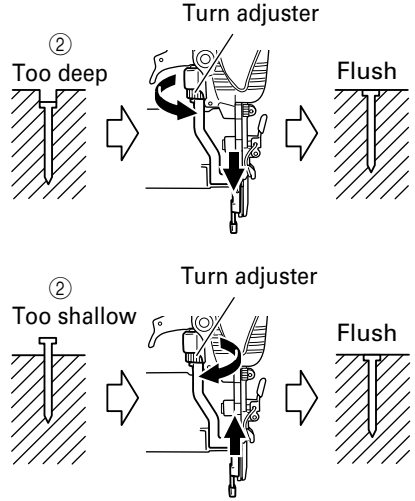
- ① DISCONNECT AIR HOSE FROM NAILER.
- ② If nails are driven too deep, turn the adjuster to the shallow side.
If nails are driven too shallow, turn the adjuster to the deep side.
- ③ Stop turning the adjuster when a suitable position is reached for a nailing test.



- ④ Connect the air hose.
ALWAYS WEAR SAFETY GLASSES.
Perform a nailing test.
- ⑤ DISCONNECT AIR HOSE FROM NAILER.
- ⑥ Choose a suitable position for the adjuster.

NOTE:

- The nail might not drive deep enough if using high pressure with the adjuster set upwards (shallow side) due to factors such as the material hardness or nail type. If that happens, reduce pressure and set the adjuster to lowest position so the nail drives in at a good position.

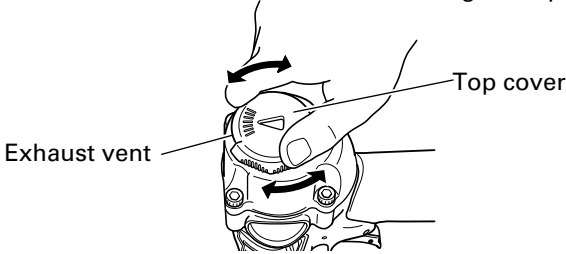


CHANGING THE EXHAUST DIRECTION

⚠ WARNING

- When changing the exhaust direction, be sure to remove your finger from the trigger and disconnect the air hose from the nailer.

The direction of the exhaust vent can be changed by turning the top cover.



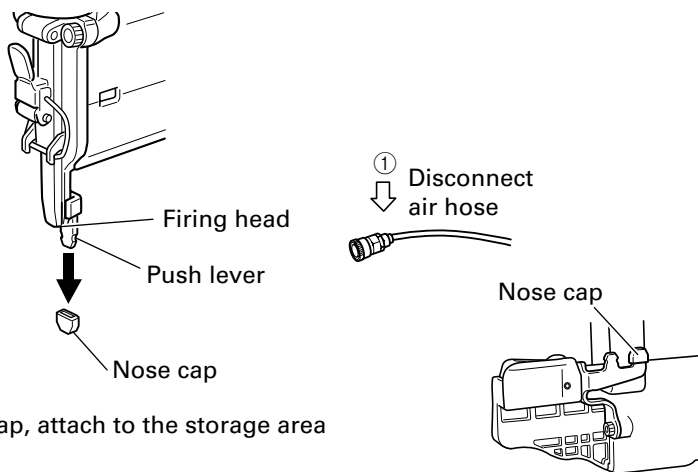
USING THE NOSE CAP

⚠ WARNING

- When detaching or attaching the nose cap, be sure to remove your finger from the trigger and disconnect the air hose from the nailer.

The nose cap is attached to the push lever tip to protect the workpiece from scratches or damage. Remove in the order shown below when not using.

- ① DISCONNECT AIR HOSE FROM NAILER.
 - ② Pull out the nose cap in the direction of the arrow as shown in the diagram.
- Attach to the tip of the push lever in the reverse order of detaching.



When not using the nose cap, attach to the storage area in back of the magazine.

MAINTENANCE

NOTE:

The information contained in this Manual is designed to assist you in the safe maintenance of the Nailer.

Some illustrations in this Manual may show details or attachments that differ from those on your own Nailer.

MAINTENANCE AND INSPECTION

Read section titled "SAFETY" (pages 4 – 7).

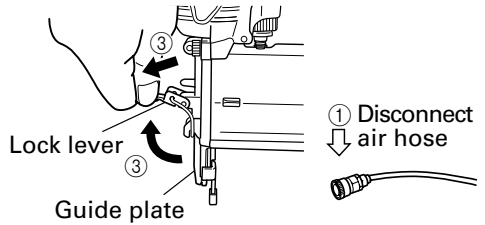
⚠ WARNING

- Disconnect air hose and remove all nails from Nailer when:
 - 1) doing maintenance and inspection; and
 - 2) clearing a jam.

1. Clearing a jam

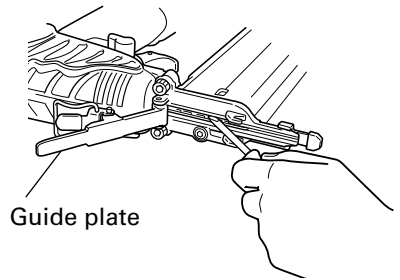
Remove a jammed nail in the following order:

- ① DISCONNECT AIR HOSE.
- ② Remove all nails.
- ③ Release the lock lever and open guide plate.
- ④ Remove the jammed nail with a slotted-head screwdriver.
- ⑤ Close guide plate and latch.
- ⑥ In case of frequent jam, contact a Hitachi authorized service center.



2. Storing

- When not in use for an extended period, apply a thin coat of the lubricant to the steel parts to avoid rust.
- Do not store the Nailer in a cold weather environment. Keep the Nailer in a warm area.
- When not in use, the Nailer should be stored in a warm and dry place. Keep out of reach children.



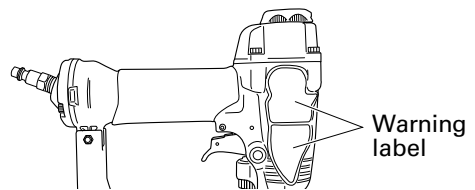
3. WARNING LABEL

Change the WARNING LABEL if missing or damaged.

A new WARNING LABEL is available from a Hitachi authorized service center.

4. Maintenance chart (See page 25)
5. Operator troubleshooting (See page 26)
6. Service parts list

- A: Item No.
- B: Code No.
- C: No. Used
- D: Remarks



⚠ CAUTION

Repair, modification and inspection of Hitachi Power Tools must be carried out by a Hitachi Authorized Service Center.

This Parts List will be helpful if presented with the tool to the Hitachi Authorized Service Center when requesting repair or other maintenance.

In the operation and maintenance of power tools, the safety regulations and standards prescribed in each country must be observed.

MODIFICATIONS

Hitachi Power Tools are constantly being improved and modified to incorporate the latest technological advancements.

Accordingly, some parts (i.e. code numbers and/or design) may be changed without prior notice.

SERVICE AND REPAIRS

⚠ WARNING

- Only service personnel trained by Hitachi, distributor or employer shall repair the Nailer.
- Use only parts supplied or recommended by Hitachi for repair.

All quality Nailers will eventually require servicing or replacement of parts because of wear from normal use.

NOTE:

Specifications are subject to change without any obligation on the part of HITACHI.

Maintenance chart

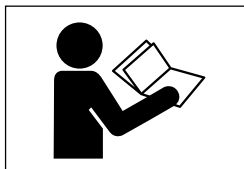
ACTION	WHY	HOW
Drain air line filter daily.	Prevent accumulation of moisture and dirt.	Open manual petcock.
Keep lubricator filled.	Keep the Nailer lubricated.	Fill with Hitachi pneumatic tool lubricant.
Clean filter element – then blow air through filter in direction opposite to normal flow.	Prevent clogging of filter with dirt.	Follow manufacturer's instructions.
Clean magazine and feeder mechanism.	Prevent a jam.	Blow clean daily.
Keep push lever working properly.	Promote operator safety and efficient Nailer operation.	Blow clean daily.
Lubricate the Nailer after nailing.	Extend the Nailer life.	Supply 5 – 10 drops of lubricant into the Nailer.
Drain air compressor.	Keep the Nailer operated properly.	Open petcock on air compressor tank.

Operator troubleshooting

Most minor problems can be resolved quickly and easily using the table below.
If problems persist, contact a Hitachi authorized service center for assistance.

PROBLEM	CHECK METHOD	CORRECTION
Nailer operates, but no nail is driven.	Check for a jam.	Clear a jam page 23.
	Nail feeder damaged?	Replace nail feeder.
	Feed spring weakened or damaged?	Replace feed spring.
	Check for proper nails.	Use only recommended nails.
Weak drive. Slow to cycle.	Check air pressure.	Increase air pressure. (Do not exceed 120 psi (8.3 bar 8.5 kgf/cm ²))
	Check position of nailing depth adjuster.	Readjust per page 21.
	_____	Use Hitachi pneumatic tool lubricant.
	Driver blade worn? Piston O-ring worn or damaged?	Contact Hitachi for replacement.
Drives too deep.	Check air pressure.	Reduce air pressure. (Adjust 70 – 120 psi (4.9 – 8.3bar 5 – 8.5 kgf/cm ²))
	Check position of nailing depth adjustment.	Readjust per page 21.
Skipping nails. Intermittent feed.	Check for proper nails.	Use only recommended nails.
	Nail feeder damaged?	Replace nail feeder.
	Feed spring weakened or damaged?	Replace feed spring.
	Piston O-ring worn or damaged?	Contact Hitachi for replacement.
Nails jam. Driven nail is bent.	Check for proper nails.	Use only recommended nails.
	Driver blade worn?	Contact Hitachi for replacement.
Drives properly during normal operation, but does not drive fully at faster nailing speeds.	Check inside diameter of air hose.	Use larger air hose.

INFORMATION DE SECURITE IMPORTANTE



Lire et bien assimiler toutes les étiquettes de l'outil ainsi que toutes les instructions de fonctionnement, les consignes de sécurité et les avertissements de ce mode d'emploi avant d'utiliser ou d'entretenir ce cloueur.

Le non respect des avertissements pourrait entraîner la MORT ou des BLESSURES GRAVES.

La plupart des accidents résultant de l'utilisation ou de l'entretien des cloueurs sont dus au non respect de certaines consignes et précautions de sécurité élémentaires. Un accident peut souvent être évité en reconnaissant une situation potentiellement dangereuse avant qu'elle ne se produise, et en respectant les procédures de sécurité applicables.

Les consignes de sécurité élémentaires sont données dans la section "SECURITE" du manuel et dans les sections relatives aux instructions d'utilisation et d'entretien.

Les dangers à éviter pour empêcher tout risque de blessures ou de dommage de l'outil sont identifiés par les mots DANGER et AVERTISSEMENT, sur le cloueur et dans ce manuel.

Ne jamais utiliser ce cloueur pour des applications autres que celles qui sont spécifiées dans ce manuel.

DEFINITION DES MOTS DE SIGNALISATION

DANGER indique une situation imminente dangereuse qui, si elle n'est pas évitée, entraînera la mort ou des blessures graves.

AVERTISSEMENT indique une situation potentiellement dangereuse qui, si elle n'est pas évitée, risque d'entraîner la mort ou des blessures graves.

ATTENTION indique une situation potentiellement dangereuse qui, si elle n'est pas évitée, risque d'entraîner des blessures légères ou modérées, ou d'endommager l'outil.

REMARQUE met en relief les informations essentielles.

EXPLICATION DE L'ACTION DE CLOUAGE DU CLOUEUR HITACHI

- **MÉCANISME DE DÉCLENCHEMENT SÉQUENTIEL UNIQUE:**
Appuyer tout d'abord le levier-poussoir contre le bois, puis tirer sur la gâchette pour enfoncer le clou.
Quand un clou est enfoncé, il n'est plus possible d'enfoncer un autre clou tant que l'on n'a pas relâché la gâchette et appuyé à nouveau.
- **MÉCANISME DE DÉCLENCHEMENT PAR CONTACT:**
Appuyer tout d'abord le levier-poussoir contre le bois, puis tirer sur la gâchette pour enfoncer le clou.
Tirer tout d'abord sur la gâchette, puis appuyer le levier-poussoir contre le bois pour enfoncer le clou.
Si la gâchette est maintenue tirée, un clou s'enfonce chaque fois que l'on appuie le levier-poussoir contre le bois.

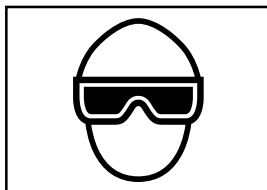
SECURITE

CONSIGNES DE SECURITE IMPORTANTES POUR L'UTILISATION DU CLOUEUR

LIRE TOUTES CES INSTRUCTIONS

⚠ DANGER

- 1. LES OPÉRATEURS ET LES AUTRES PERSONNES DANS L'AIRE DE TRAVAIL DOIVENT PORTER DES LUNETTES DE PROTECTION AVEC VISIÈRES LATÉRALES.**



Quand on utilise le cloueur, toujours porter des lunettes de protection avec visières latérales, et veiller à ce que les autres personnes dans la zone de travail en portent également.

Les lunettes de protection devront respecter les exigences de l'ANSI (American National Standards Institute) Z87.1 et assurer la protection contre les projections de particules arrivant par l'avant et par le côté.

L'employeur doit veiller à ce que la personne qui utilise le cloueur et les autres personnes dans l'aire de travail portent des lunettes de protection.

- 2. NE JAMAIS UTILISER D'OXYGÈNE NI AUCUN AUTRE GAZ EN BOUTEILLE. IL POURRAIT SE PRODUIRE UNE EXPLOSION.**



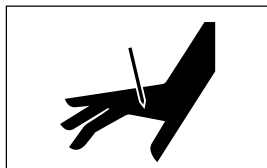
Ne jamais utiliser d'oxygène, de gaz combustibles ni aucun autre gaz en bouteille comme source d'alimentation du cloueur.

L'utilisation de ces gaz serait dangereuse, car le cloueur exploserait.

Utiliser exclusivement de l'air comprimé propre, sec et régulé.

⚠ AVERTISSEMENT

- 3. NE JAMAIS DIRIGER L'OUTIL VERS SOI NI VERS QUELQU'UN D'AUTRE DANS L'AIRE DE TRAVAIL.**



Toujours supposer que le cloueur renferme des clous.

Ne jamais diriger le cloueur vers soi ni vers quelqu'un d'autre, qu'il renferme des clous ou non.

Si l'on enfonce des clous par erreur, cela risque de provoquer des blessures graves.

Ne jamais s'amuser avec le cloueur.

Le cloueur est un instrument de travail. Le respecter.

- 4. TOUJOURS ÉLOIGNER LE DOIGT DE LA GÂCHETTE QUAND ON N'EFFECTUE PAS DE CLOUAGE AFIN D'ÉVITER TOUT RISQUE DE DÉCLENCHEMENT ACCIDENTEL.**

Ne jamais transporter l'outil avec le doigt sur la gâchette, car on risquerait d'enfoncer accidentellement un clou et de se blesser ou de blesser quelqu'un d'autre.

Toujours transporter le cloueur exclusivement par sa poignée.

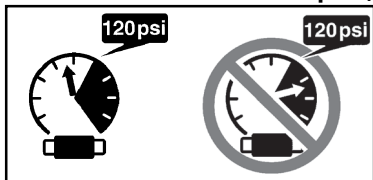
- 5. LE CHOIX DE LA MÉTHODE D'UTILISATION DE LA GÂCHETTE EST IMPORTANT.**

Lire et bien assimiler la section intitulée "METHODES D'UTILISATION" (pages 45 - 47).

SECURITE – suite

⚠ AVERTISSEMENT

6. NE PAS DEPASSER 120 psi. (8.3 bars 8.5 kgf/cm²)



Ne pas dépasser la pression d'air maximale recommandée de 120 psi (8.3 bars, 8.5 kgf/cm²).

Ne jamais raccorder le cloueur à une pression susceptible de dépasser 200 psi (13.7 bars, 14 kgf/cm²) car le cloueur pourrait exploser.

7. TOUJOURS PORTER DES PROTECTIONS ANTI-BRUIT ET UN CASQUE.

Toujours porter des protections anti-bruit pour ne pas s'endommager l'ouïe.

Toujours porter un casque pour se protéger la tête contre les projectiles.

8. RANGER LE CLOUEUR CORRECTEMENT.

Quand on ne s'en sert pas, ranger le cloueur dans un endroit sec. Le ranger hors de portée des enfants. Verrouiller la zone de rangement.

9. MAINTENIR L'AIRE DE TRAVAIL PROPRE.

Une aire encombrée invite les blessures. Enlever tous les outils inutiles, débris, meubles, etc. de l'aire de travail.

10. NE JAMAIS UTILISER EN PRESENCE DE LIQUIDES OU DE GAZ INFLAMMABLES.

Le cloueur provoque des étincelles quand il fonctionne.

Ne jamais utiliser le cloueur dans un endroit renfermant de la laque, de la peinture, de la benzine, du diluant, de l'essence, des gaz, des agents adhésifs ni aucune autre matière combustible ou explosive.

11. ELOIGNER LES VISITEURS.

Ne pas laisser les visiteurs manipuler le cloueur.

Tous les visiteurs devront rester en dehors de l'aire de travail.

12. PORTER UN HABILLEMENT APPROPRIE.

Ne porter ni vêtements lâches ni bijoux qui pourraient se prendre dans les pièces en mouvement.

Porter des gants de caoutchouc et des chaussures solides si l'on travaille dehors.

Si l'on a les cheveux longs, les maintenir serrés dans un couvre-chef.

13. NE JAMAIS UTILISER DE COUPLEUR NON DEGAGEANT SUR LE CLOUEUR.

Si l'on utilise un coupleur non dégageant sur le cloueur, le cloueur risque de rester chargé d'air après le débranchement, et donc d'enfoncer un clou même après qu'il est débranché.

Le cloueur et le tuyau d'air doivent avoir un coupleur de tuyau tel que toute la pression soit évacuée du cloueur quand on débranche le joint de couplage.

14. VERIFIER LE LEVIER-POUSSOIR AVANT L'UTILISATION.

S'assurer que le levier-poussoir fonctionne correctement. (Le levier-poussoir est parfois appelé "sécurité".) Ne jamais utiliser le cloueur si le levier-poussoir ne fonctionne pas correctement. Un clou pourrait s'enfoncer accidentellement. Ne pas toucher au levier-poussoir ni le retirer, car il pourrait ne plus fonctionner.

15. VEILLER A CE QUE TOUTES LES VIS ET LES COUVERCLES SOIENT EN PLACE ET BIEN SERRES.

Veiller à ce que les vis et les couvercles soient solidement fixés. Les vérifier périodiquement.

Ne jamais utiliser le cloueur si des pièces manquent ou sont endommagées.

16. NE PAS CHARGER DE CLOUS SI LA GACHETTE OU LE LEVIER-POUSSOIR SONT ENFONCES.

Quand on charge des clous dans le cloueur ou qu'on raccorde le tuyau d'air,

- 1) ne pas tirer sur la gâchette;
- 2) ne pas actionner le levier-poussoir; et
- 3) diriger le cloueur vers le bas.

SECURITE – suite

AVERTISSEMENT

17. TENIR TOUJOURS ELOIGNER, LA TETE, LES MAINS ET LES PIEDS DE LA TETE DE CLOUAGE.

Ne jamais approcher la tête, les mains ni les pieds de la tête de clouage.

18. PLACER LE CLOUEUR CORRECTEMENT SUR LA PIECE.

Ne pas enfoncer de clous sur d'autres clous ni avec le cloueur à un angle trop aigu ; les clous pourraient ricocher et blesser quelqu'un.

19. AVANT DE COMMENCER LE TRAVAIL, VÉRIFIER LE DISPOSITIF DE COMMUTATION DE L'OPÉRATION DE CLOUAGE.

Ce cloueur Hitachi comprend un dispositif de commutation de l'opération de clouage. Avant de commencer le travail, vérifier le réglage du dispositif de commutation de l'opération de clouage.

Si le dispositif de commutation de l'opération de clouage n'est pas réglé correctement, le cloueur ne fonctionnera pas correctement.

20. FAIRE ATTENTION AUX DOUBLES ACTIVATIONS DUES AU RAPPEL.

Si on laisse le levier-poussoir entrer accidentellement en contact avec la pièce après le rappel, un clou risque d'être enfoncé.

Pour éviter ce risque,

Fonctionnement intermittent (déclenchement par gâchette)

1) Régler le dispositif de commutation sur la position MÉCANISME DE DÉCLENCHEMENT SÉQUENTIEL UNIQUE.

2) Tirer sur la gâchette rapidement et fermement.

Fonctionnement continu (déclenchement par levier-poussoir)

1) Ne pas appuyer trop fort le cloueur contre le bois.

2) Eloigner le cloueur du bois car il effectue un rappel après le clouage.

21. NE PAS ENFONCER DE CLOUS DANS DES PLANCHES MINCES NI PRÈS DES COINS ET DES BORDS DE LA PIECE.

Les clous pourraient traverser la pièce ou s'enfoncer ailleurs que dans la pièce et blesser quelqu'un.

22. NE JAMAIS ENFONCER DE CLOUS DES DEUX COTES D'UN MUR EN MEME TEMPS.

Les clous pourraient traverser le mur et blesser quelqu'un de l'autre côté.

23. VÉRIFIER S'IL Y A DES FILS SOUS TENSION.

Pour éviter tout risque d'électrocution grave, vérifier s'il y a des fils sous tension dissimulés dans le mur, le plancher ou le plafond. Couper le disjoncteur pour s'assurer qu'il n'y a pas de fils sous tension.

24. NE PAS TRANSPORTER LE CLOUEUR PAR LE TUYAU.

25. NE PAS TROP SE PENCHER.

Conservé une bonne assise et un bon équilibre à tout moment.

26. NE JAMAIS UTILISER UN CLOUEUR DÉFECTUEUX OU QUI NE FONCTIONNE PAS NORMALEMENT.

Si le cloueur semble ne pas fonctionner comme d'habitude, qu'il fait des bruits bizarres ou qu'il semble défectueux, cesser immédiatement de l'utiliser et le faire réparer par un service après-vente Hitachi agréé.

27. NE PAS DEBRANCHER LE TUYAU D'AIR DU CLOUEUR AVEC LE DOIGT SUR LA GACHETTE.

Le cloueur pourrait se déclencher lorsque l'air sera à nouveau alimenté.

SECURITE – suite

AVERTISSEMENT

28. DEBRANCHER LE TUYAU D’AIR DU CLOUEUR QUAND:

- 1) on entretient ou inspecte le cloueur;
- 2) on charge les clous;
- 3) on tourne l'ajusteur et le couvercle supérieur;
- 4) fixation et retrait du capuchon avant;
- 5) on retire des clous coincés;
- 6) on ne s’en sert pas;
- 7) on quitte l’aire de travail;
- 8) on le transporte dans un autre endroit; et
- 9) on le passe à quelqu’un d’autre.

Ne jamais retirer des clous coincés ni réparer le cloueur si le tuyau d’air n’est pas débranché du cloueur et que les clous restants ne sont pas tous retirés du cloueur.

Ne jamais s’éloigner du cloueur car des personnes non familiarisées avec son fonctionnement pourraient le manipuler et se blesser.

29. RESTER SUR SES GARDES.

Regarder ce que l’on fait. Faire preuve de bon sens.

Ne pas utiliser le cloueur lorsqu’on est fatigué.

Ne jamais utiliser le cloueur si l’on est sous l’influence de médicaments, d’alcool ou de toute autre substance soporifique.

30. MANIPULER LE CLOUEUR CORRECTEMENT.

Utiliser le cloueur en suivant les instructions du manuel.

Ne jamais permettre que le cloueur soit utilisé par des enfants, des personnes non familiarisées avec son fonctionnement ou du personnel non autorisé.

31. NE JAMAIS UTILISER LE CLOUEUR POUR DES APPLICATIONS AUTRES QUE CELLES QUI SONT SPECIFIEES DANS CE MANUEL.

32. MANIPULER LE CLOUEUR AVEC PRECAUTION.

A cause de la pression d’air élevée à l’intérieur du cloueur, les fissures en surface sont dangereuses.

Pour éviter tout risque, ne pas faire tomber le cloueur ni le heurter contre des surfaces dures; et ne pas le rayer ni graver des inscriptions dessus. Manipuler le cloueur avec précaution.

33. ENTRETENIR SOIGNEUSEMENT LE CLOUEUR.

Veiller à ce que le cloueur soit toujours propre et graissé pour obtenir un fonctionnement optimal et en toute sécurité.

34. UTILISER EXCLUSIVEMENT DES PIECES, ACCESSOIRES OU CLOUS FOURNIS OU RECOMMANDES PAR HITACHI.

Des pièces, accessoires ou clous non autorisés pourraient annuler la garantie, entraîner un mauvais fonctionnement et provoquer des blessures.

Les réparations du cloueur seront confiées exclusivement au personnel d’entretien formé par Hitachi, au distributeur ou à l’employeur.

35. NE JAMAIS MODIFIER NI ALTÉRER UN CLOUEUR.

Cela pourrait provoquer un mauvais fonctionnement et entraîner des blessures physiques.

SECURITE – suite

AVERTISSEMENT

RESPONSABILITES DE L'EMPLOYEUR

1. Veiller à ce que ce MANUEL reste à la disposition des personnes qui doivent utiliser ou entretenir le cloueur.
2. Veiller à ce que les cloueurs soient utilisés exclusivement lorsque les opérateurs et les autres personnes présentes dans l'aire de travail portent des LUNETTES DE PROTECTION.
3. Obliger les opérateurs et les autres personnes présentes dans l'aire de travail à porter des LUNETTES DE PROTECTION.
4. Maintenir les cloueurs en bon ordre de marche.
5. Entretenir les cloueurs correctement.
6. Veiller à ce que les cloueurs qui ont besoin d'être réparés ne soient plus utilisés avant d'être réparés.

**CONSERVER CE MANUEL ET LE
METTRE A LA DISPOSITION DES
UTILISATEURS !**

UTILISATION

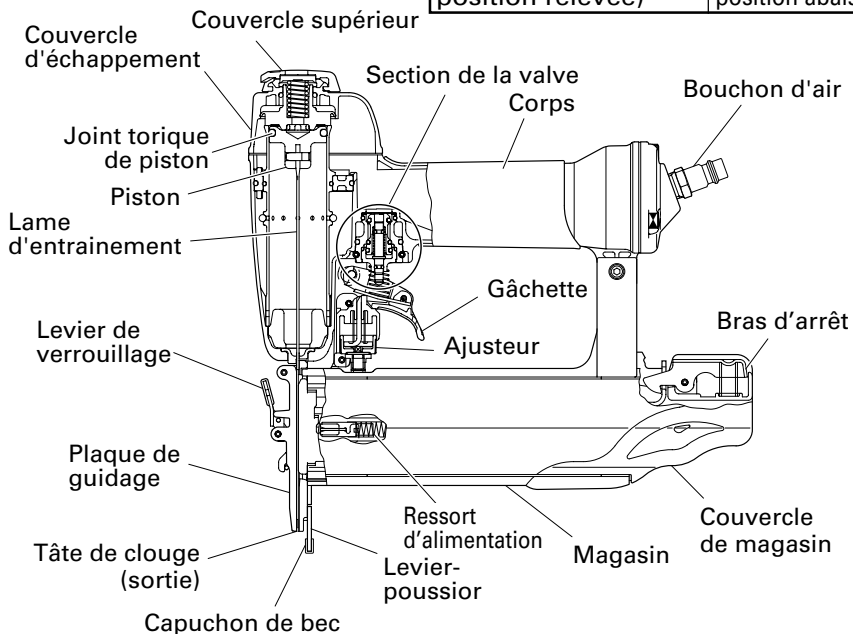
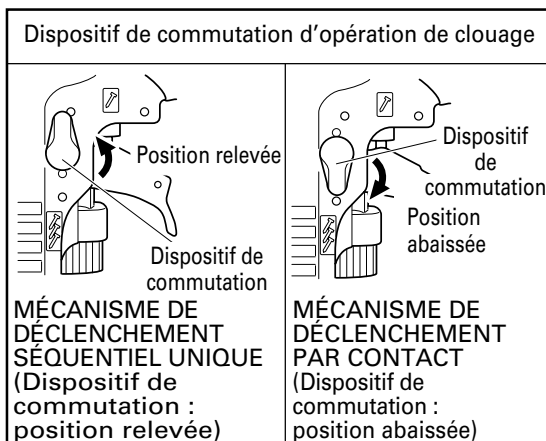
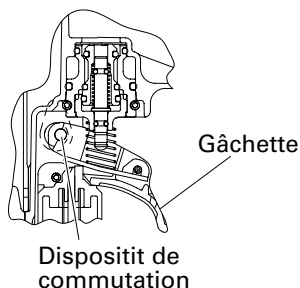
REMARQUE :

Les informations contenues dans ce manuel ont pour but d'aider l'opérateur à utiliser le cloueur en toute sécurité.

Certaines des illustrations du manuel peuvent montrer des détails ou des accessoires qui diffèrent de ceux de votre cloueur.

NOM DES PIÈCES

Vue agrandie de la section de la valve



SPECIFICATIONS

Modèle	NT50AE2 (S)	NT32AE2 (S)
Pression d'utilisation	70 – 120 psi (4.9 – 8.3 bars, 5 – 8.5 kgf/cm ²)	
Dimensions Longueur x hauteur x largeur	10" x 9-3/16" x 2-3/8" (254 mm x 233 mm x 60 mm)	10" x 7-3/4" x 2-3/8" (254 mm x 197 mm x 60 mm)
Poids	2.2 lbs. (1.0 kg)	2.0 lbs. (.9 kg)
Contenance de clous	100 clous	
Consommation d'air	.025 ft ³ /cycle à 100 psi (.73 l/cycle à 6.9 bars) (.73 l/cycle à 7 kgf/cm ²)	

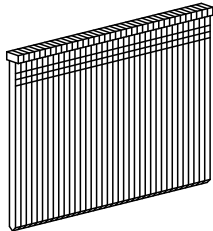
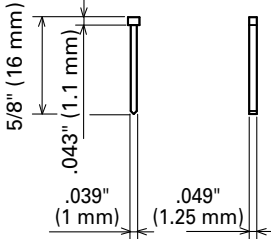
SELECTION DES CLOUS

⚠ AVERTISSEMENT

- Bien utiliser exclusivement les clous HITACHI d'origine avec le NT50AE2 (S), NT32AE2 (S). L'utilisation d'autres clous risque de provoquer un mauvais fonctionnement de l'outil et/ou une rupture des clous, et d'entraîner des blessures.

Seuls les clous indiqués dans le tableau ci-dessous pourront être utilisés avec ce cloueur.

Dimensions des clous

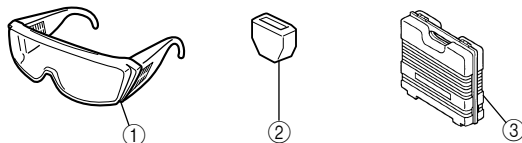
Clous à tête perdue de calibre 18	Min.		Max.	
	NT50AE2 (S) • NT32AE2 (S)		NT50AE2 (S)	NT32AE2 (S)
	.075" (1.9 mm)		2" (50 mm)	1-1/4" (32 mm)
		.043" (1.1 mm)		
	.039" (1 mm)	.049" (1.25 mm)		

ACCESSOIRES

⚠ AVERTISSEMENT

- Les accessoires autres que ceux indiqués ci-dessous risquent de mal fonctionner et de provoquer des blessures.

ACCESSOIRES STANDARD



① Lunettes de protection	1
② Capuchon de bec (montée sur l'outil)	2
③ Boîtier	1

ACCESSOIRES EN OPTION ... vendus séparément

- Huile de machine pneumatique
Alimenteur d'huile 1 oz (30 cc) (Code No. 877153)
Alimenteur d'huile 4 oz (120 cc) (Code No. 874042)
Alimenteur d'huile 1 quart (1 l) (Code No. 876212)

REMARQUE : Les accessoires sont sujets à modification sans préavis et sans aucune obligation de la part de HITACHI.

APPLICATIONS

- Ensemble d'armoire et de cadre photo, ornements de mobilier.
- Ornements et moulures de roulotte et caravane tractée.

AVANT L'UTILISATION

Lire la section intitulée "SECURITE" (pages 28 – 32).

Bien vérifier les points suivants avant de travailler.

ENVIRONNEMENT DE TRAVAIL

⚠ AVERTISSEMENT

- Pas de gaz ou liquides inflammables, ni aucun autre objet inflammable sur le chantier.
- Evacuer les enfants et les personnes non autorisées de l'aire de travail.

ALIMENTATION D'AIR

⚠ DANGER



- **NE JAMAIS** utiliser d'oxygène ni aucun autre gaz en bouteille. Il pourrait se produire une explosion.

⚠ AVERTISSEMENT

- Ne jamais raccorder le cloueur à une pression qui risque de dépasser 200 psi (13.7 bars, 14 kgf/cm²).
- Ne jamais utiliser de coupleur non dégageant sur le cloueur.

1. Alimentation

- Utiliser exclusivement de l'air comprimé propre, sec et réglé avec ce cloueur.
- Les compresseurs d'air utilisés pour alimenter l'air comprimé au cloueur devront respecter les exigences ANSI B19.3 "Normes de sécurité pour les compresseurs des industries de transformation".
- L'humidité ou l'huile dans le compresseur d'air peuvent accélérer l'usure et la corrosion du cloueur. Purger tous les jours.

2. Filtre-régulateur-lubrificateur

- Utiliser un régulateur d'une pression comprise entre 0 – 120 psi (0 – 8.3 bars, 0 – 8.5 kgf/cm²).
- Les unités filtre-régulateur-lubrificateur procureront les conditions optimales du cloueur et accroîtront sa durée de service. Toujours les utiliser.

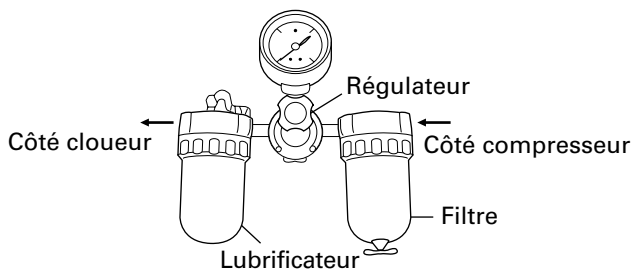
Filtre Le filtre enlève l'humidité et la saleté mélangées à l'air comprimé. Purger tous les jours, sauf si l'outil possède une purge automatique. Nettoyer régulièrement le filtre.

Régulateur Le régulateur contrôle la pression de fonctionnement afin d'assurer la sécurité du cloueur.

Inspecter le régulateur avant le travail pour s'assurer qu'il fonctionne correctement.

Lubrificateur Le lubrificateur alimente de l'huile vaporisée au cloueur. Inspecter le lubrificateur avant le travail pour s'assurer que l'alimentation d'huile est adéquate.

Utiliser une huile de machine pneumatique Hitachi.



3. Tuyau d'air

Le tuyau d'air doit avoir une pression de travail minimum de 150 psi (10.4 bars, 10.6 kgf/cm²) ou 150% de la pression maximum produite par le système, à savoir la plus élevée.

4. Consommation d'air

Sélectionner la taille du compresseur en se reportant au tableau de consommation d'air et aux formules de taille du compresseur.

Tableau de consommation d'air

Pression de fonctionnement	psi (bars) (kgf/cm ²)	80 (5.5) (5.6)	90 (6.2) (6.3)	100 (6.9) (7)
Consommation d'air	ft ³ /cycle (l/cycle)	.019 (.55)	.023 (.64)	.025 (.73)

Formules de taille du compresseur d'air

Quantité d'air requise

= nombre de clous

× clous moyens enfoncés par minute par le cloueur

× consommation d'air à une pression donnée

× facteur de sécurité (toujours 1.2)

Exemple: 3 cloueurs (NT50AE2(S) ou NT32AE2(S)) fonctionnant à 100 psi et enfonçant 30 clous par minute

Quantité d'air requise

= 3 × 30 × .025 (.73) × 1.2

= 2.7 CFM (ft³/mn)(78.8 l/mn)

Effectuer le calcul ci-dessus pour obtenir un compresseur fournissant les 2.7 CFM d'air nécessaires.

GRAISSAGE

Il est essentiel que le cloueur soit graissé correctement. Si le cloueur est mal graissé, il ne fonctionnera pas correctement et les pièces s'useront prématurément.

- Utiliser une huile de machine Hitachi.

Ne pas utiliser d'huile détergente ni d'additifs. Ces lubrifiants endommageraient les joints toriques et les autres pièces en caoutchouc. Cela provoquerait un mauvais fonctionnement du cloueur.

- Toujours utiliser des unités filtre-régulateur-lubrificateur.

Veiller à ce que le régulateur soit toujours plein d'huile de machine pneumatique Hitachi.

- Si l'on ne possède pas de lubrificateur, mettre 5 à 10 gouttes d'huile de machine pneumatique Hitachi dans le bouchon d'air du cloueur deux fois par jour.

ENTRETIEN PAR TEMPS FROID

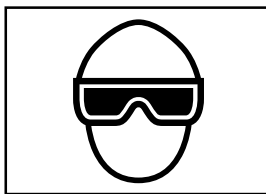
- Ne pas ranger le cloueur dans un environnement froid.
Le laisser dans un endroit chaud jusqu'à ce que l'on soit prêt à travailler.
- Si le cloueur est déjà froid, l'amener dans un endroit chaud et le laisser réchauffer avant de l'utiliser.
 - ① Réduire la pression d'air à 70 psi (4.9 bars, 5.0 kgf/cm²).
 - ② Sortir tous les clous du cloueur.
 - ③ Raccorder le tuyau d'air et faire un essai de clouage (clouage à blanc).
La pression d'air inférieure sera suffisante pour le clouage à blanc.
Les opérations à vitesse lente ont tendance à chauffer les pièces mobiles.

ATTENTION :

- **Ne pas faire un essai de clouage à blanc à haute pression.**

ESSAI DU CLOUEUR

DANGER



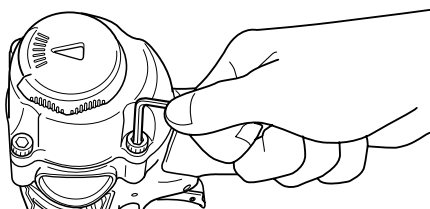
- **Les opérateurs et les autres personnes dans l'aire de travail DOIVENT porter des lunettes de protection avec visières latérales respectant les exigences ANSI Z87.1.**

AVERTISSEMENT

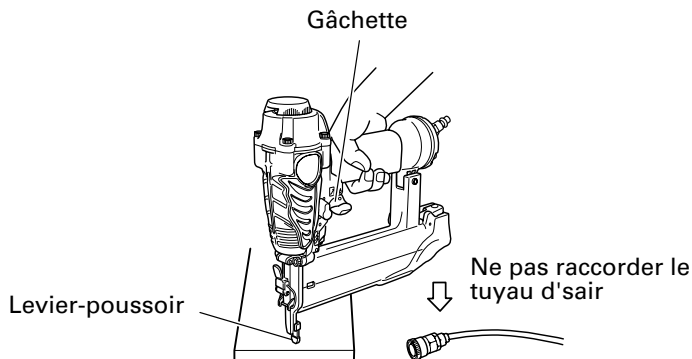
- **Ne jamais utiliser le cloueur si le levier-poussoir ne fonctionne pas correctement.**

Avant de commencer le travail de clouage proprement dit, faire un essai de clouage à l'aide de la liste de vérification ci-dessous. Effectuer les essais dans l'ordre indiqué. S'il se produit un fonctionnement anormal, cesser immédiatement d'utiliser le cloueur et contacter un service après-vente agréé Hitachi.

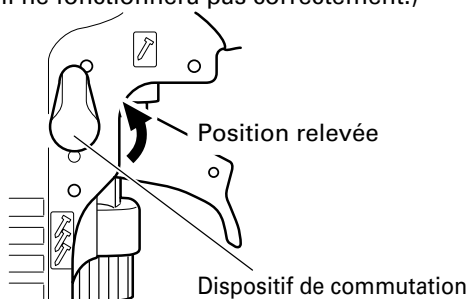
- (1) DEBRANCHER LE TUYAU D'AIR DU CLOUEUR.
SORTIR TOUS LES CLOUS DU CLOUEUR.
- TOUTES LES VIS DOIVENT ETRE SERREES A FOND.
Si certaines vis sont relâchées, les revisser.



- LE LEVIER-POUSOIR ET LA GÂCHETTE DOIVENT FONCTIONNER AVEC SOUPLESE.



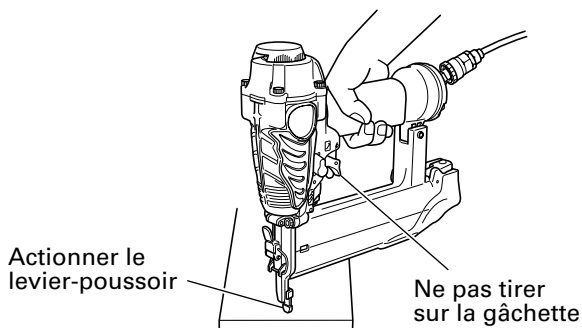
- (2) Régler la pression d'air sur 70 psi (4.9 bars 5 kgf/cm²).
 Raccorder le tuyau d'air.
 Ne pas mettre de clous dans le cloueur.
 Mettre le dispositif de commutation en position relevée (MÉCANISME DE DÉCLENCHEMENT SÉQUENTIEL UNIQUE).
 (Régler le dispositif de commutation sur la position complètement relevée, comme indiqué sur le schéma. Sinon, il ne fonctionnera pas correctement.)



- LE CLOUEUR NE DOIT PAS AVOIR DE FUITE D'AIR.

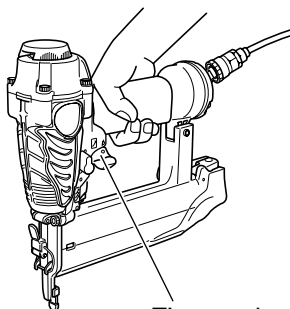
- (3) Retirer le doigt de la gâchette et appuyer le levier-poussoir contre le bois.

- LE CLOUEUR NE DOIT PAS FONCTIONNER.



- (4) Eloigner le levier-poussoir du bois.
Ensuite, diriger le cloueur en position abaissée, tirer sur la gâchette et attendre pendant au moins 5 secondes dans cette position.

LE CLOUEUR NE DOIT PAS FONCTIONNER.



Tirer sur la gâchette

- (5) ① Sans toucher la gâchette, actionner le levier-poussoir contre la pièce.
Tirer sur la gâchette.

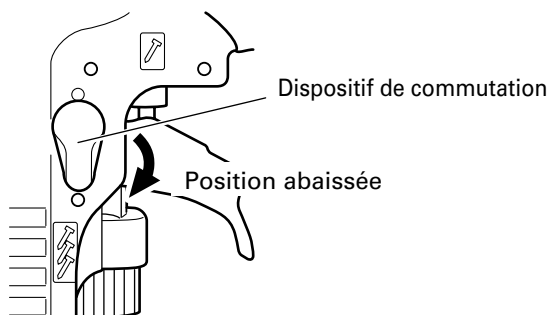
LE CLOUEUR DOIT FONCTIONNER.

② Retirer le doigt de la gâchette.

Le fonctionnement du cloueur s'arrête (la lame du tournevis revient en haut).

- (6) Régler le dispositif de commutation sur la position abaissée (MÉCANISME DE DÉCLENCHEMENT PAR CONTACT).

(Régler le dispositif de commutation sur la position complètement abaissée, comme indiqué sur le schéma. Sinon, il ne fonctionnera pas correctement.)



Le cloueur ne touchant plus la pièce, tirer sur la gâchette.
Actionner le levier-poussoir contre la pièce.

LE CLOUEUR DOIT FONCTIONNER.

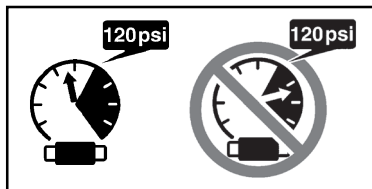
- (7) Si l'on ne remarque aucun fonctionnement anormal, on pourra mettre des clous dans le cloueur.

Enfoncer les clous dans un matériau du même type que celui du travail proprement dit.

LE CLOUEUR DOIT FONCTIONNER CORRECTEMENT.

REGLAGE DE LA PRESSION D'AIR

⚠ AVERTISSEMENT



- Ne pas dépasser 120 psi (8.3 bars 8.5 kgf/cm²).

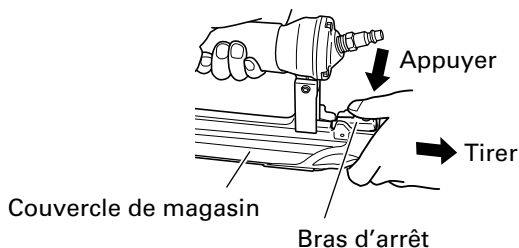
Régler la pression d'air à la pression de travail recommandée de 70 – 120 psi (4.9 – 8.3 bars 5 – 8.5 kgf/cm²) en fonction de la longueur des clous et de la dureté du matériau. La pression d'air correcte est la pression la plus basse capable d'effectuer le travail. L'utilisation d'une pression d'air supérieure à la pression nécessaire fatiguera inutilement le cloueur.

CHARGEMENT DES CLOUS

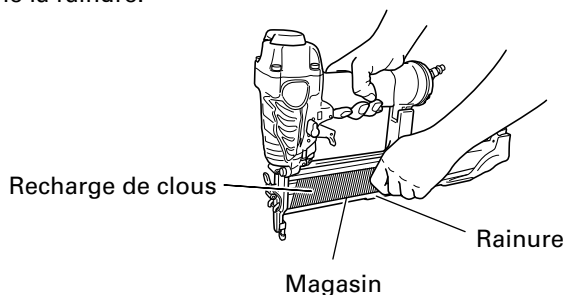
⚠ AVERTISSEMENT

- Lors du chargement des clous dans le cloueur,
 - 1) ne pas tirer sur la gâchette ;
 - 2) ne pas actionner le levier-poussoir ; et
 - 3) diriger le cloueur vers le bas.

(1) Appuyer légèrement sur le bras d'arrêt et extraire délicatement le couvercle de magasin.

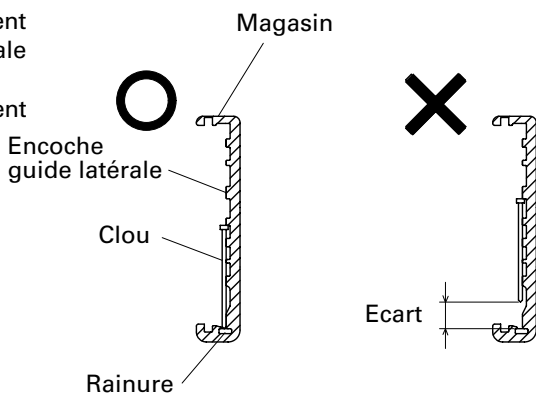


(2) Mettre la recharge de clous dans le magasin en veillant à ce que la pointe de clous touche la rainure.

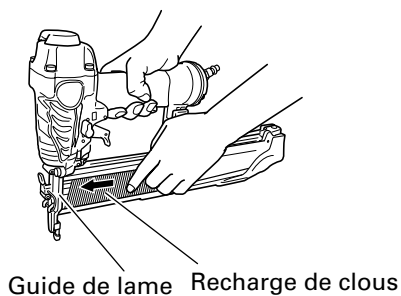


REMARQUE:

- Les clous représentés à la page 34 peuvent être chargés sur l'encoche guide latérale du magasin sans réglage. Toujours veiller à ce que les clous touchent la rainure.



- (3) Glisser la recharge de clous dans le guide de lame.



- (4) Vérifier que la recharge de clous est placée avec les rainures latérales et la rainure disposés comme il convient, puis pousser le couvercle de magasin vers l'avant pour qu'il se verrouille.

UTILISATION DU CLOUEUR

Lire la section intitulée "SECURITE" (pages 28 – 32).

⚠ DANGER



- Les opérateurs et les autres personnes dans l'aire de travail **DOIVENT** porter des lunettes de protection avec visières latérales respectant les exigences ANSI Z87.1.

⚠ AVERTISSEMENT



- **NE JAMAIS** diriger l'outil vers soi ni vers quelqu'un d'autre dans l'aire de travail.
- **TOUJOURS** éloigner le doigt de la gâchette quand on n'effectue pas de clouage afin d'éviter tout risque de déclenchement accidentel.
- Le choix de la méthode d'utilisation de la gâchette est important. Lire et bien assimiler la "METHODES D'UTILISATION" ci-dessous.
- Avant de commencer le travail, vérifier le dispositif de commutation de l'opération de clouage. Ce cloueur Hitachi comprend un dispositif de commutation de l'opération de clouage. Avant de commencer le travail, vérifier que le dispositif de commutation est réglé correctement. Si le dispositif de commutation de l'opération de clouage n'est pas réglé correctement, le cloueur ne fonctionnera pas correctement.
- Ne jamais approcher la tête, les mains ni les pieds de la tête de clouage.
- Ne pas enfoncer de clous sur d'autres clous ni avec le cloueur à un angle trop aigu ; les clous pourraient ricocher et blesser quelqu'un.
- Ne pas enfoncer de clous dans des planches minces ni près des coins et des bords de la pièce. Les clous pourraient traverser la pièce ou s'enfoncer ailleurs que dans la pièce et blesser quelqu'un.
- Ne jamais enfoncer de clous des deux côtés d'un mur en même temps. Les clous pourraient traverser le mur et blesser quelqu'un de l'autre côté.

- **Ne jamais utiliser le cloueur s'il est défectueux ou qu'il ne fonctionne pas normalement.**
- **Ne pas se servir du cloueur comme d'un marteau.**
- **Débrancher le tuyau d'air du cloueur quand :**
 - 1) **on tourne l'ajusteur et le couvercle supérieur;**
 - 2) **fixation ou retrait du capuchon avant ;**
 - 3) **on ne s'en sert pas ;**
 - 4) **on quitte l'aire de travail ;**
 - 5) **on le transporte dans un autre endroit ; et**
 - 6) **on le passe à quelqu'un d'autre.**

Ce cloueur Hitachi est équipé d'un dispositif de commutation de l'opération de clouage. Utiliser le MÉCANISME DE DÉCLENCHEMENT SÉQUENTIEL UNIQUE ou le MÉCANISME DE DÉCLENCHEMENT PAR CONTACT en fonction du travail à effectuer.

Explication des diverses opérations de clouage

○ MÉCANISME DE DÉCLENCHEMENT SÉQUENTIEL UNIQUE:

Appuyer tout d'abord le levier-poussoir contre le bois, puis tirer sur la gâchette pour enfoncer le clou.

Quand un clou est enfoncé, il n'est plus possible d'enfoncer un autre clou tant que l'on n'a pas relâché la gâchette et appuyé à nouveau.

○ MÉCANISME DE DÉCLENCHEMENT PAR CONTACT :

Appuyer tout d'abord le levier-poussoir contre le bois, puis tirer sur la gâchette pour enfoncer le clou.

Tirer tout d'abord sur la gâchette, puis appuyer le levier-poussoir contre le bois pour enfoncer le clou.

Si la gâchette est maintenue tirée, un clou s'enfonce chaque fois que l'on appuie le levier-poussoir contre le bois.

METHODES D'UTILISATION

Le cloueur est équipé d'un levier-poussoir et il ne fonctionne pas tant que le levier-poussoir n'est pas enfoncé (position supérieure).

Il y a deux façons d'enfoncer des clous avec le cloueur.

Ces deux méthodes sont :

1. Fonctionnement intermittent (déclenchement par gâchette) :
2. Fonctionnement continu (déclenchement par levier-poussoir) :

(1) Fonctionnement intermittent (déclenchement par gâchette)

Utiliser le réglage MÉCANISME DE DÉCLENCHEMENT SÉQUENTIEL UNIQUE.

⚠ AVERTISSEMENT

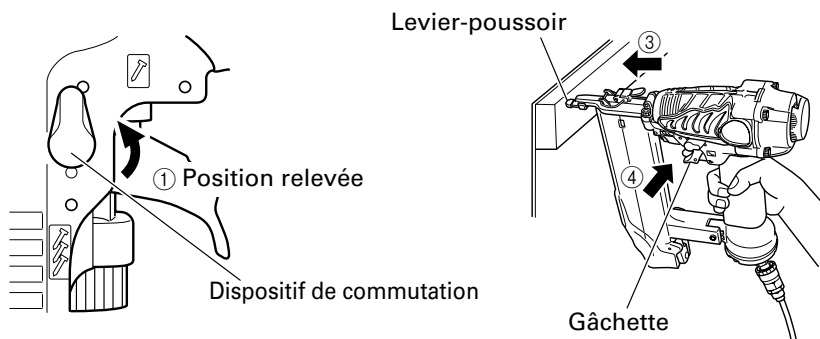
- Pour un fonctionnement intermittent, régler le dispositif de commutation sur la position complètement relevée. (Ex. Régler sur MÉCANISME DE DÉCLENCHEMENT SÉQUENTIEL UNIQUE.)
- Pour éviter tout déclenchement double ou tout déclenchement accidentel du fait d'un rappel :
 - 1) Régler le dispositif de commutation sur la position MÉCANISME DE DÉCLENCHEMENT SÉQUENTIEL UNIQUE.
 - 2) Tirer sur la gâchette rapidement et fermement.

① Régler le dispositif de commutation sur la position relevée (pour le régler sur MÉCANISME DE DÉCLENCHEMENT SÉQUENTIEL UNIQUE).

(Régler le dispositif de commutation sur la position complètement relevée, comme indiqué sur le schéma. Sinon, il se réglera sur MÉCANISME DE DÉCLENCHEMENT PAR CONTACT.)

- ② Placer l'orifice de sortie des clous sur la pièce en enlevant le doigt de la gâchette.
- ③ Actionner fermement le levier-poussoir jusqu'à ce qu'il soit complètement enfoncé.
- ④ Tirer sur la gâchette pour enfoncer un clou.
- ⑤ Retirer le doigt de la gâchette.

Pour continuer à clouer à un autre endroit, déplacer le cloueur le long du bois en recommençant les opérations ② à ⑤ selon les besoins.



⚠ AVERTISSEMENT

- Un clou sera libéré chaque fois que la détente sera enfoncée, en autant que le levier-poussoir demeure enfoncé.

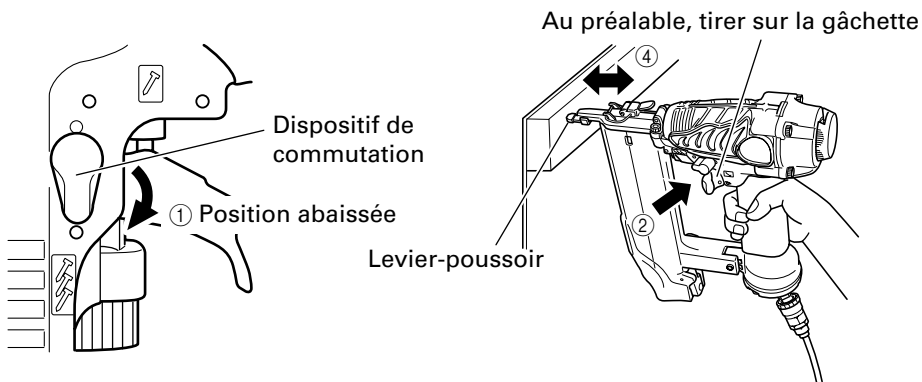
(2) Fonctionnement continu (déclenchement par levier-poussoir)
Utilisation du MÉCANISME DE DÉCLENCHEMENT PAR CONTACT

⚠ AVERTISSEMENT

- Pour éviter tout déclenchement double ou tout déclenchement accidentel du fait d'un rappel.

- 1) Ne pas appuyer le cloueur trop fort contre le bois.
- 2) Eloigner le cloueur du bois car il effectue un rappel après le clouage.

- ① Régler le dispositif de commutation sur la position complètement abaissée (pour le régler sur MÉCANISME DE DÉCLENCHEMENT PAR CONTACT). (Régler le dispositif de commutation sur la position complètement abaissée, comme indiqué sur le schéma. Sinon, il ne fonctionnera pas correctement.)
 - ② Tirer sur la gâchette en retirant le cloueur de la pièce.
 - ③ Actionner le levier-poussoir contre la pièce pour enfoncer un clou.
 - ④ Déplacer le cloueur le long de la pièce en lui faisant faire des bonds. Chaque pression du levier-poussoir enfonce un clou.
- Dès que le nombre de clous voulu est enfoncé, retirer le doigt de la gâchette.



⚠ AVERTISSEMENT

- Ne pas mettre le doigt sur la gâchette sauf pendant une opération de clouage, car un contact accidentel du levier-poussoir sur l'opérateur ou sur les personnes alentour pourrait entraîner des blessures graves.
- Ne pas approcher les mains ni le corps de la section de sortie des clous. Ce cloueur Hitachi risque de faire un bond sous l'effet du rappel après l'enfoncement d'un clou, ce qui pourrait enfoncer un autre clou non prévu et provoquer des blessures.

LE MÉCANISME DE DÉCLENCHEMENT SÉQUENTIEL UNIQUE est utilisé lorsqu'un placement précis des attaches est nécessaire.

Le MÉCANISME DE DÉCLENCHEMENT SÉQUENTIEL UNIQUE peut réduire les risques de blessures physiques pour l'opérateur et les autres personnes présentes sur l'aire de travail par rapport au MÉCANISME DE DÉCLENCHEMENT PAR CONTACT. **En effet, il risque moins d'enfoncer accidentellement un clou si l'on garde le doigt sur la gâchette et qu'on appuie accidentellement le levier-poussoir contre soi ou contre une autre personne.**

Le MÉCANISME DE DÉCLENCHEMENT SÉQUENTIEL UNIQUE peut également réduire la vitesse de fonctionnement par rapport au MÉCANISME DE DÉCLENCHEMENT PAR CONTACT. Il est conseillé aux opérateurs débutants d'utiliser LE MÉCANISME DE DÉCLENCHEMENT SÉQUENTIEL UNIQUE.

REMARQUE :

- Si l'on respecte bien tous les avertissements et toutes les instructions, le fonctionnement s'effectuera sans danger avec les deux systèmes : MÉCANISME DE DÉCLENCHEMENT SÉQUENTIEL UNIQUE, et MÉCANISME DE DÉCLENCHEMENT PAR CONTACT.
- Toujours manipuler les clous et l'emballage avec précaution. Si les recharges de clous tombent, le liant d'assemblage risque de se rompre, ce qui provoquera des erreurs d'alimentation et des bourrages.
- Après le clouage :
 - 1) débrancher le tuyau d'air du cloueur ;
 - 2) sortir tous les clous du cloueur ;
 - 3) mettre 5 ou 10 gouttes d'huile de machine pneumatique Hitachi dans le bouchon d'air du cloueur ; et
 - 4) ouvrir le robinet de purge du réservoir du compresseur d'air pour purger toute l'humidité.

REGLAGE DE LA PROFONDEUR DE CLOUAGE

⚠ AVERTISSEMENT

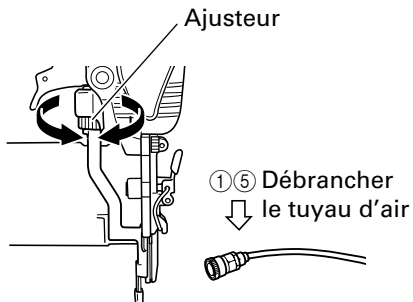
- **Lors de l'ajustement de l'ajusteur, s'assurer de retirer son doigt de la gâchette et de débrancher le tuyau d'air du cloueur.**

Pour que les clous s'enfoncent tous à la même profondeur, s'assurer que:

- 1) la pression d'air du cloueur reste constante (le régulateur est installé et il fonctionne normalement), et
- 2) le cloueur est toujours maintenu fermement contre la pièce;

Si les clous sont enfoncés trop loin ou pas assez dans la pièce, régler le clouage dans l'ordre suivant.

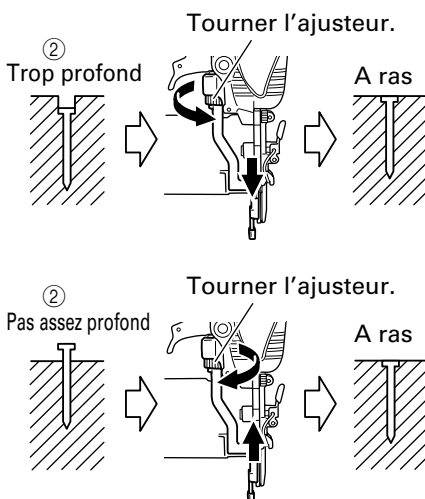
- ① **DEBRANCHER LE TUYAU D'AIR DU CLOUEUR.**
- ② Si les clous s'enfoncent trop profondément, tourner l'ajusteur sur le côté peu profond.
Si les clous ne s'enfoncent pas assez profondément, tourner l'ajusteur sur le côté profond.
- ③ Cesser de tourner l'ajusteur quand on a trouvé la position qui convient lors de l'essai de clouage.



- ④ Brancher le tuyau d'air.
TOUJOURS PORTER DES LUNETTES DE PROTECTION.
- ⑤ DEBRANCHER LE TUYAU D'AIR DU CLOUEUR.
Effectuer un clouage d'essai.
- ⑥ Sélectionner la position de l'ajusteur qui convient.

REMARQUE:

- Le clou risque de ne pas s'enfoncer suffisamment si vous utilisez la haute pression avec l'ajusteur réglé vers le haut (côté profond) à cause de facteurs tels que la dureté du matériau ou le type de clou. Si cela se produit, réduisez la pression et réglez l'ajusteur sur la position la plus basse de façon que les clous s'enfoncent dans une bonne position.



CHANGEMENT DU SENS D'ÉCHAPPEMENT

⚠ AVERTISSEMENT

- Lors du changement du sens d'échappement, s'assurer de retirer son doigt de la gâchette et de débrancher le tuyau d'air du cloueur.

Il est possible de changer le sens l'évent d'échappement en tournant le couvercle supérieur.



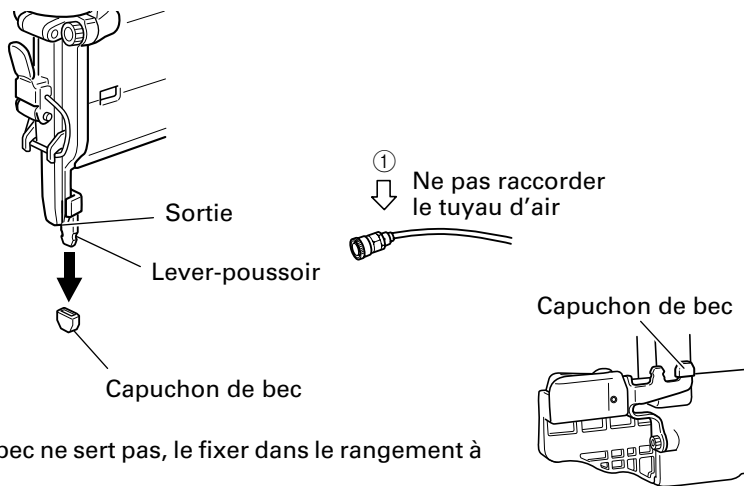
UTILISATION DU CAPUCHON DE BEC

⚠ AVERTISSEMENT

- Lors du retrait ou de la fixation du capuchon de bec, s'assurer de retirer son doigt de la détente et de débrancher le tuyau d'air du cloueur.

Le capuchon de bec se fixe au bout du bras de contact pour protéger la pièce à travailler des éraflures ou des dommages. Retirer selon la séquence ci-dessous lorsqu'il ne sert pas.

- ① DISANCHER LE TUYAU D'AIR DU CLOUEUR.
- ② Tirer le capuchon de bec dans la direction de la flèche, comme le montre le schéma.
- Attacher au bout du bras de contact en inversant la séquence de démontage.



Quand le capuchon de bec ne sert pas, le fixer dans le rangement à l'arrière du magasin.

ENTRETIEN

REMARQUE :

Les informations contenues dans ce manuel ont pour but d'aider l'opérateur à utiliser le cloueur en toute sécurité.

Certaines des illustrations du manuel peuvent montrer des détails ou des accessoires qui diffèrent de ceux de votre cloueur.

ENTRETIEN ET INSPECTION

Lire la section intitulée "SECURITE" (pages 28 – 32).

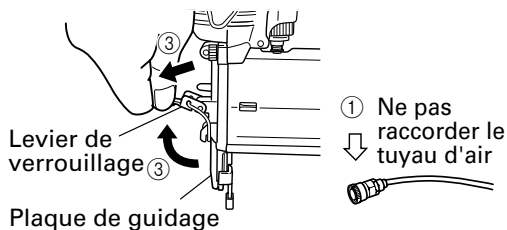
⚠ AVERTISSEMENT

- Débrancher le tuyau d'air et sortir tous les clous du cloueur quand :
 - 1) on entretient ou on inspecte le cloueur ; et
 - 2) on retire des clous coincés.

1. Dégagement des clous coincés

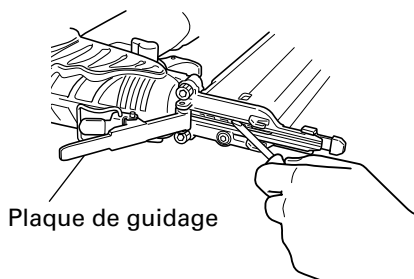
Pour dégager un clou coincé, procéder comme suit :

- ① DÉBRANCHER LE TUYAU D'AIR.
- ② Retirer tous les clous.
- ③ Libérer le levier de verrouillage et ouvrir la plaque de guidage.
- ④ Retirer le clou coincé avec untournevis pour écrou à fente.
- ⑤ Refermer la plaque de guidage et le cliquet d'arrêt.
- ⑥ Si les clous se coincent fréquemment, contacter un service après-vente Hitachi agréé.



2. Remisage

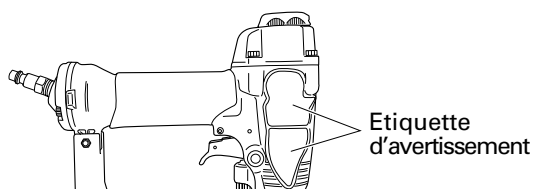
- Si l'on ne se sert pas du cloueur pendant un certain temps, enduire ses pièces en acier d'une mince couche de graisse pour éviter toute corrosion.
- Ne pas remiser le cloueur dans un environnement froid.
Le laisser dans un endroit chaud.
- Lorsqu'on ne se sert pas du cloueur, le remiser dans un endroit chaud et sec.
Le ranger hors de portée des enfants.



3. ETIQUETTE D'AVERTISSEMENT

Remplacer l'ETIQUETTE D'AVERTISSEMENT si elle manque ou qu'elle est endommagée.

Se procurer une nouvelle ETIQUETTE D'AVERTISSEMENT auprès d'un service après-vente Hitachi agréé.



4. Tableau d'entretien (voir page 51)

5. Guide de dépannage de l'opérateur (voir page 52)

6. Liste des pièces de rechange

- A: No. élément
- B: No. code
- C: No. utilisé
- D: Remarques

⚠ ATTENTION

Les réparations, modifications et inspections des outils électriques Hitachi doivent être confiées à un service après-vente Hitachi agréé.

Il sera utile de présenter cette liste de pièces au service après-vente Hitachi agréé lorsqu'on apporte un outil nécessitant des réparations ou tout autre entretien.

Lors de l'utilisation et de l'entretien d'un outil électrique, respecter les règlements et les normes de sécurité en vigueur dans le pays en question.

MODIFICATIONS

Les outils électriques Hitachi sont constamment améliorés et modifiés afin d'incorporer les tous derniers progrès technologiques.

En conséquence, il est possible que certaines pièces (c.-à-d. no. de code et/ou dessin) soient modifiées sans avis préalable.

ENTRETIEN ET REPARATIONS

AVERTISSEMENT

- **Les réparations du cloueur seront confiées exclusivement au personnel d'entretien formé par Hitachi, au distributeur ou à l'employeur.**
- **Pour les réparations, utiliser exclusivement des pièces fournies ou recommandées par Hitachi.**

Du fait de l'usure normale, les cloueurs de qualité finissent toujours par avoir besoin d'un entretien ou d'un remplacement de pièce.

REMARQUE :

Les spécifications sont sujettes à modification sans préavis et sans aucune obligation de la part de HITACHI.

Tableau d'entretien

ACTION	POURQUOI	COMMENT
Purger le filtre de la ligne d'air tous les jours.	Éviter l'accumulation d'humidité et de poussière.	Ouvrir le robinet de purge manuel.
Veiller à ce que le lubrificateur soit toujours plein.	Maintenir le cloueur bien graissé.	Remplir d'huile de machine pneumatique Hitachi.
Nettoyer l'élément du filtre – puis souffler de l'air dans le filtre dans le sens inverse du débit normal.	Éviter le colmatage du filtre par la saleté.	Suivre les instructions du fabricant.
Nettoyer le magasin et le mécanisme de l'alimenteur de clous.	Éviter que les clous ne se coincent.	Nettoyer en soufflant de l'air tous les jours.
Veiller à ce que le levier-poussoir fonctionne toujours correctement.	Assurer la sécurité de l'opérateur et un fonctionnement efficace du cloueur.	Nettoyer en soufflant de l'air tous les jours.
Graisser le cloueur après l'utilisation.	Rallonger la durée de service du cloueur.	Mettre 5 ou 10 gouttes de graisse dans le cloueur.
Purger le compresseur d'air.	Maintenir le cloueur en bon ordre de marche.	Ouvrir le robinet de purge du réservoir du compresseur d'air.

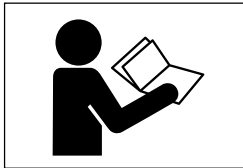
Guide de dépannage de l'opérateur

En suivant le tableau ci-dessous, la plupart des problèmes mineurs pourront être corrigés rapidement et en toute facilité.

Si le problème persiste, contacter un service après-vente Hitachi agréé.

PROBLEME	VERIFICATION	CORRECTION
Le cloueur fonctionne, mais les clous ne s'enfoncent pas.	Vérifier si un clou est coincé.	Dégager le clou coincé page 49.
	L'alimenteur de clous est-il endommagé ?	Remonter l'alimenteur de clous.
	Le ressort d'alimentation est-il distendu ou endommagé?	Remplacer le ressort d'alimentation.
	Vérifier si l'on utilise les clous bons clous.	Utiliser uniquement les clous recommandés.
Entraînement faible. Cycle lent.	Vérifier la pression d'air.	Augmenter la pression d'air. (Ne pas dépasser 120 psi (8.3 bars 8.5 kgf/cm ²))
	Vérifier la position du dispositif de réglage de profondeur de clouage.	Refaire le réglage comme indiqué à la page 47.
	—————	Utiliser une huile de machine pneumatique Hitachi.
	La lame d'entraînement est-elle usée ?	Contacter Hitachi pour le remplacement.
	Le joint torique du piston est-il usé ou endommagé ?	
Les clous s'enfoncent trop profondément.	Vérifier la pression d'air.	Réduire la pression d'air. (Régler sur 70 – 120 psi (4.9 – 8.3 bar 5 – 8.5 kgf/cm ²))
	Vérifier la position du dispositif de réglage de profondeur de clouage.	Refaire le réglage comme indiqué à la page 47.
Certains clous sont sautés. Alimentation intermittente.	Vérifier si l'on utilise les bons clous.	Utiliser uniquement les clous recommandés.
	L'alimenteur de clous est-il endommagé ?	Nettoyer et graisser.
	Le ressort d'alimentation est-il distendu ou endommagé?	Remplacer le ressort d'alimentation.
	Le joint torique du piston est-il usé ou endommagé ?	Contacter Hitachi pour le remplacement.
Des clous se coincent. Les clous enfoncés sont tordus.	Vérifier si l'on utilise les bons clous.	Utiliser uniquement les clous recommandés.
	La lame d'entraînement est-elle usée ?	Contacter Hitachi pour le remplacement.
Les clous s'enfoncent bien normalement, mais pas complètement à des vitesses supérieures.	Vérifier le diamètre intérieur du tuyau d'air.	Utiliser un tuyau d'air plus large.

INFORMACIÓN DE SEGURIDAD IMPORTANTE



Lea y comprenda el significado de las etiquetas de la herramienta y todas las instrucciones de funcionamiento, las precauciones de seguridad y las advertencias de este manual antes de realizar la operación o el mantenimiento de este clavador.

La negligencia en la observación de las advertencias puede producir la **MUERTE** o **LESIONES DE GRAVEDAD**.

La mayoría de los accidentes ocurridos al utilizar o mantener este clavador se deben al incumplimiento de las normas de seguridad y precauciones básicas. Los accidentes podrán evitarse en muchos casos dándose cuenta de una situación peligrosa antes de que se produzca, y observando fielmente los procedimientos de seguridad apropiados.

Las precauciones básicas de seguridad se describen en la sección "SEGURIDAD" de este manual, y en las secciones que contienen las instrucciones sobre operación y mantenimiento.

Los riesgos que habrá que eludir para evitar lesiones o el daño de la máquina se identifican mediante **PELIGRO** y **ADVERTENCIA** en el clavador y en este manual.

No utilice nunca este clavador para aplicaciones que no sean las especificadas en este manual.

DEFINICIÓN DE LAS PALABRAS CLAVE

PELIGRO indica una situación inminentemente peligrosa que, si no se evita, puede resultar en lesiones serias o en la muerte.

ADVERTENCIA indica una situación potencialmente peligrosa que, si no se evita, puede resultar en lesiones serias o en la muerte.

PRECAUCIÓN indica una situación potencialmente peligrosa que, si no se evita, puede resultar en lesiones menores, o en el daño de la máquina.

NOTA enfatiza información esencial.

EXPLICACIÓN LA ACCIÓN DE CLAVADO DEL CLAVADOR HITACHI

○ MECANISMO DE ACTUACIÓN SECUENCIAL SIMPLE:

En primer lugar, presione la palanca de empuje contra la madera y, a continuación, jale el gatillo para introducir el sujetador.

Una vez que se introduzca el sujetador, no se podrá volver a introducir otro sujetador hasta que suelte el gatillo y lo vuelva a presionar.

○ MECANISMO DE ACTUACIÓN POR CONTACTO:

En primer lugar, presione la palanca de empuje contra la madera y, a continuación, jale el gatillo para introducir el sujetador.

En primer lugar, jale el gatillo y, seguidamente, presione la palanca de empuje contra la madera para que se introduzca el sujetador.

Si mantiene el gatillo apretado, se introducirá un sujetador cada vez que se presiona la palanca de empuje contra la madera.

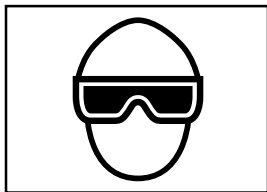
SEGURIDAD

INSTRUCCIONES IMPORTANTES DE SEGURIDAD PARA LA UTILIZACIÓN DEL CLAVADOR

LEA TODAS LAS INSTRUCCIONES

⚠ PELIGRO

- 1. LOS OPERADORES Y DEMÁS PERSONAS QUE SE ENCUENTREN EN EL ÁREA DE TRABAJO DEBEN USAR GAFAS PROTECTORAS CON BLINDAJES LATERALES.**



Antes de utilizar el clavador, utilice siempre gafas protectoras con blindajes laterales, y asegúrese de que también sean utilizadas por todas las personas que se encuentren en el área de trabajo. Las gafas protectoras deberán estar de acuerdo con los requisitos del Instituto de Normas Nacionales Americanas, ANSI Z87.1 y proporcionar protección contra las partículas despididas desde la parte frontal y posterior.

El empresario deberá hacer que el operador del clavador y demás personas que se encuentren en el área de trabajo utilicen en todo momento gafas protectoras.

- 2. NO UTILICE NUNCA OXÍGENO NI OTROS GASES EMBOTELLADOS. PODRÍA PRODUCIRSE UNA EXPLOSIÓN.**



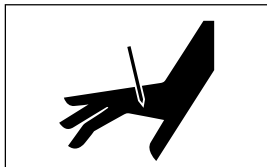
No utilice nunca bombonas de oxígeno, gases combustibles, etc. como fuente de propulsión de este clavador.

La utilización de estos gases, o de otros gases embotellados, es peligrosa, ya que el clavador podría explotar.

Utilice solamente aire comprimido limpio, seco, y regulado.

⚠ ADVERTENCIA

- 3. NO DIRIJA NUNCA LA HERRAMIENTA HACIA SÍ MISMO O HACIA OTRAS PERSONAS DEL ÁREA DE TRABAJO.**



Piense siempre que el clavador puede tener clavos cargados. No dirija nunca el clavador hacia sí mismo o hacia otras personas, independientemente de que contenga o no clavos.

Si utilizase los clavos incorrectamente, podrían producirse lesiones serias.

No juegue nunca con el clavador.

Trate el clavador como herramienta de trabajo.

- 4. PARA EVITAR UN DISPARO ACCIDENTAL, MANTENGA LOS DEDOS ALEJADOS DEL GATILLO DISPARADOR CUANDO NO SE ESTÉ USANDO LA HERRAMIENTA.**

No transporte nunca el clavador con el dedo en el gatillo, porque podría lanzar un clavo y lesionarse usted mismo o a otra persona.

Transporte siempre el clavador por la empuñadura solamente.

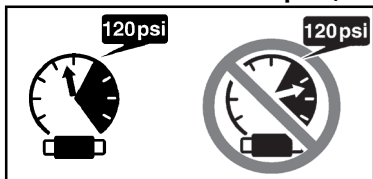
- 5. ES IMPORTANTE LA ELECCIÓN DE MÉTODO DE ACTIVACIÓN.**

Lea y comprenda la sección titulada "MÉTODOS DE OPERACIÓN" (páginas 71 - 73).

SEGURIDAD – Continuación

⚠ ADVERTENCIA

6. NO SOBREPASE 120 psi. (8.3 barías 8.5 kgf/cm²)



No sobrepase nunca la presión de aire máxima recomendada de 120 psi (8.3 barías 8.5 kgf/cm²). No conecte nunca el clavador a una presión que pueda sobrepasar potencialmente 200 psi (13.7 barías 14 kgf/cm²) ya que el clavador podría explotar.

7. UTILICE SIEMPRE PROTECTORES PARA LOS OÍDOS Y LA CABEZA.

Utilice siempre protectores para los oídos contra el ruido fuerte.

Utilice siempre un protector para la cabeza con objetos que puedan salir disparados.

8. GUARDE ADECUADAMENTE EL CLAVADOR.

Cuando no vaya a utilizar el clavador, guárdelo en un lugar seco. Manténgalo alejado de los niños. Cierre con llave el lugar de almacenamiento.

9. MANTENGA EL ÁREA DE TRABAJO LIMPIA.

Las áreas desordenadas pueden provocar lesiones. Limpie bien el área de trabajo, apartando herramientas innecesarias, residuos, muebles, etc.

10. NO UTILICE EL CLAVADOR CERCA DE LÍQUIDOS INFLAMABLES NI DE GASES.

El clavador produce chispas durante la operación.

No utilice nunca el clavador en lugares en los que haya laca, pintura, bencina, diluidor de pintura, gasolina, gases, productos adhesivos, ni demás materiales combustibles o explosivos.

11. MANTENGA A LOS VISITANTES ALEJADOS.

No permita que los visitantes toquen el clavador.

Todos los visitantes deberán permanecer alejados del área de trabajo.

12. VÍSTASE ADECUADAMENTE.

No utilice ropa floja ni joyas, ya que podrían pillarse en las partes móviles.

Para trabajar en exteriores se recomienda utilizar guantes de goma y calzado no deslizable. Si tiene el pelo largo, utilice un protector para recogerlo.

13. NO UTILICE NUNCA UN ACOPLADOR SIN DESCARGA CON EL CLAVADOR.

Si utilizase un acoplador sin descarga con el clavador, éste podría permanecer cargado con aire después de haberlo desconectado y, por lo tanto, disparar un clavo incluso después de haberlo desconectado.

14. COMPRUEBE LA PALANCA DE EMPUJE ANTES DE LA UTILIZACIÓN.

Cerciórese de que la palanca de empuje funcione adecuadamente. (La palanca de empuje puede denominarse "Seguridad".) No utilice nunca el clavador a menos que la palanca de empuje funcione adecuadamente, ya que de lo contrario el clavador podría disparar inesperadamente un clavo. No cambie ni quite la palanca de empuje.

15. MANTENGA TODOS LOS TORNILLOS Y CUBIERTAS BIEN APRETADAS EN SU LUGAR.

Mantenga todos los tornillos y cubiertas firmemente apretados. Compruebe periódicamente su condición.

No utilice nunca el clavador si hay piezas perdidas o dañadas.

16. NO CARGUE CLAVOS CON EL GATILLO ACCIONADO NI CON LA PALANCA DE EMPUJE PRESIONADA.

Cuando cargue clavos en el clavador, o cuando conecte la manguera de aire,

- 1) no accione el gatillo;
- 2) no presione la palanca de empuje; ni
- 3) mantenga el clavador apuntado hacia abajo.

SEGURIDAD – Continuación

ADVERTENCIA

17. MANTENGA PERMANENTEMENTE LA CARA, LAS MANOS Y LOS PIES ALEJADOS DE LA CABEZA DE DISPARO.

No acerque nunca su cara, manos o pies a la cabeza de disparo.

18. COLOQUE EL CLAVADOR ADECUADAMENTE SOBRE LA PIEZA DE TRABAJO.

No clave un clavos sobre otra, ni con el clavador con un ángulo demasiado agudo, ya que los clavos podrían rebotar y herir a alguien.

19. ANTES DE EMPEZAR A TRABAJAR, VERIFIQUE EL DISPOSITIVO DE CONMUTACIÓN PARA LA OPERACIÓN DE SUJECIÓN.

Este clavador Hitachi incluye un dispositivo de conmutación para la operación de sujeción.

Antes de empezar a trabajar, verifique el ajuste del dispositivo de conmutación para la operación de clavado.

Si el dispositivo de conmutación para la operación de clavado no está debidamente ajustado, el clavador no funcionará correctamente.

20. TENGA CUIDADO CON EL DOBLE DISPARO DEBIDO AL CULATEO.

Si la palanca de empuje vuelve a entrar en contacto accidentalmente con la pieza de trabajo, producirá un culateo, y saldrá disparado un clavo inesperado.

Para evitar este doble disparo;

Operación intermitente (disparo con el gatillo)

1) Ajuste el mecanismo de conmutación a MECANISMO DE ACTUACIÓN SECUENCIAL SIMPLE.

2) Jale el gatillo rápida y firmemente.

Operación continua (disparo con la palanca de empuje)

1) No presione el clavador contra la madera con una fuerza excesiva.

2) Después de efectuar la sujeción, retire el clavador de la madera para evitar la reculada.

21. NO CLAVE EN PANELES FINOS, NI CERCA DE LAS ESQUINAS NI LOS BORDES DE LA PIEZA DE TRABAJO.

Los clavos podrían atravesar la pieza de trabajo y herir a alguien.

22. NO CLAVE NUNCA CLAVOS DESDE AMBOS LADOS DE UNA PARED AL MISMO TIEMPO.

Los clavos podrían traspasar el panel y lesionar a la persona que se encuentra en el lado opuesto.

23. COMPRUEBE SI HAY CABLES ACTIVOS.

Evite el riesgo de descargas eléctricas comprobando si hay cables activos escondidos en paredes, suelos, o techos. Abra el disyuntor para asegurarse de que no queden cables activos.

24. NO TRANSPORTE NUNCA EL CLAVADOR POR EL MORRO.

25. NO SE EXTRALIMITE.

Mantenga en todo momento un buen equilibrio.

26. NO UTILICE NUNCA UN CLAVADOR DEFECTUOSO O QUE FUNCIONE INCORRECTAMENTE.

Si el clavador parece funcionar anormalmente, si produce ruidos extraños, etc., deje de utilizarlo inmediatamente y solicite su reparación a un centro de servicio autorizado por Hitachi.

27. NO DESCONECTE LA MANGUERA DE AIRE DEL CLAVADOR CON UN DEDO PUESTO EN EL GATILLO.

El clavador podría disparar un clavo cuando reconectase el suministro de aire.

SEGURIDAD – Continuación

ADVERTENCIA

28. DESCONECTE LA MANGUERA DE AIRE DEL CLAVADOR CUANDO:

- 1) realice trabajos de mantenimiento e inspección;
- 2) cargue los sujetadores;
- 3) gire el ajustador y la cubierta superior;
- 4) fije o quite la tapa del morro;
- 5) tenga que desatascarlo;
- 6) no vaya a utilizarlo;
- 7) abandone el área de trabajo.
- 8) lo traslade a otro lugar; y
- 9) vaya a entregárselo a otra persona.

No intente nunca desatascar ni reparar el clavador sin haber desconectado primero la manguera de aire del mismo, y sin haberle quitado todos los clavos.

No deje nunca el clavador desatendido, porque personas no familiarizadas con él podrían utilizarlo y sufrir lesiones.

29. PERMANEZCA ALERTA.

Tenga en cuenta lo que esté haciendo. Utilice el sentido común.

No utilice el clavador cuando esté cansado.

No utilice nunca el clavador si se encuentra bajo la influencia del alcohol, drogas, o medicinas que le produzcan somnolencia.

30. MANEJE CORRECTAMENTE EL CLAVADOR.

Maneje el clavador de acuerdo con las instrucciones de este manual.

No permita que el clavador sea utilizado por niños, personal no autorizado o personas que no estén familiarizadas con su funcionamiento.

31. NO UTILICE NUNCA EL CLAVADOR PARA APLICACIONES QUE NO SEAN LAS ESPECIFICADAS EN ESTE MANUAL.

32. MANEJE EL CLAVADOR CON CUIDADO.

Debido a la alta presión de aire del clavador, las rajadas en su superficie pueden resultar peligrosas.

Para evitar esto, no deje caer el clavador ni lo golpee contra superficies duras, y no grabe nada en el mismo. Maneje cuidadosamente el clavador.

33. MANTENGA EL CLAVADOR CON CUIDADO.

Mantenga el clavador limpio y lubricado para que rinda al máximo y con la mayor seguridad.

34. UTILICE SOLAMENTE LAS PIEZAS, ACCESORIOS, Y CLAVOS QUE SUMINISTRE O RECOMIENDE HITACHI.

Las piezas, accesorios, o clavos no autorizados pueden anular la garantía y provocar el mal funcionamiento, lo que podría resultar en lesiones.

El clavador solamente deberá ser reparado por Hitachi, un distribuidor, o el empresario.

35. NO MODIFIQUE NI ALTERE NUNCA EL CLAVADOR.

Si lo hiciese podría funcionar mal y provocar lesiones.

SEGURIDAD – Continuación

RESPONSABILIDADES DEL EMPRESARIO

1. Asegúrese de que este MANUAL esté al alcance de los operadores y del personal de mantenimiento.
2. Asegúrese de que el clavador se utilice solamente cuando el operador y demás personas que se encuentren en el área de trabajo estén utilizando GAFAS PROTECTORAS PARA LOS OJOS.
3. Recalque que el operador y las demás personas que se encuentren en el área de trabajo necesitan utilizar GAFAS PROTECTORAS PARA LOS OJOS.
4. Mantenga el clavador en un orden de funcionamiento seguro.
5. Mantenga adecuadamente el clavador.
6. Si un clavador necesita reparación, no lo utilice.

**¡GUARDE ESTE MANUAL
AL ALCANCE DE LOS DEMAS
USUARIOS!**

OPERACIÓN

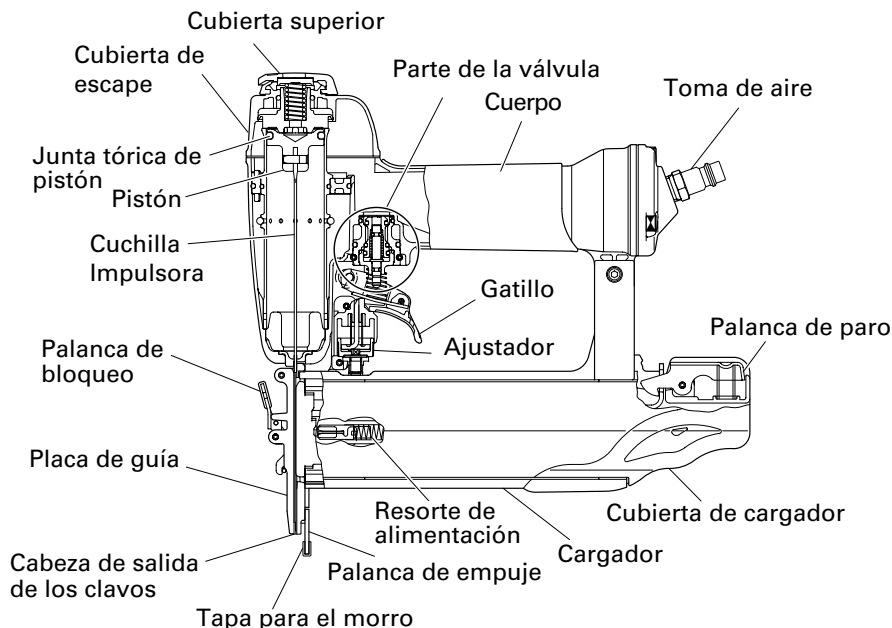
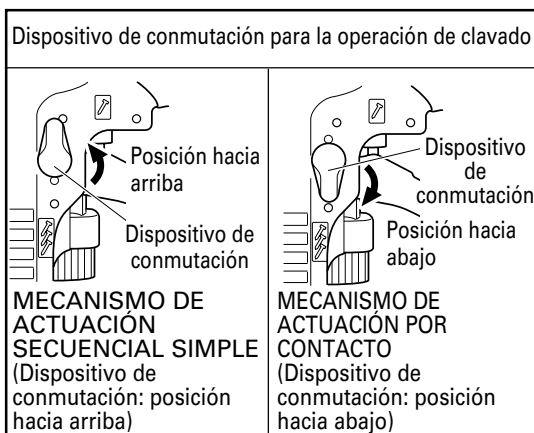
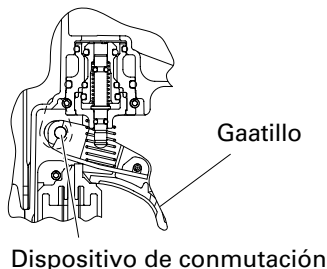
NOTA:

La información contenida en este manual ha sido diseñada para ayudarle a utilizar con seguridad este clavador.

Algunas de las ilustraciones de este manual pueden mostrar detalles o accesorios diferentes a los de su propio clavador.

NOMENCLATURA

Vista ampliada de la parte de la válvula



ESPECIFICACIONES

Modelo	NT50AE2 (S)	NT32AE2 (S)
Presión de operación	70 – 120 psi (4.9 – 8.3 barías, 5 – 8.5 kgf/cm ²)	
Dimensiones Longitud x altura x anchura	10" x 9-3/16" x 2-3/8" (254 mm x 233 mm x 60 mm)	10" x 7-3/4" x 2-3/8" (254 mm x 197 mm x 60 mm)
Peso	2.2 libras. (1.0 kg)	2.0 libras. (.9 kg)
Capacidad de puntas	100 puntas	
Consumo de aire	.025 pies ³ /ciclo a 100 psi (.73 litros/ciclo a 6.9 bar) (.73 litros/ciclo a 7 kgf/cm ²)	

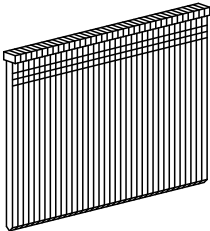
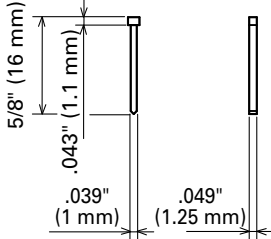
SELECCIÓN DE CLAVOS

⚠ ADVERTENCIA

- Asegúrese de usar únicamente clavos legítimos HITACHI para el NT50AE2 (S), NT32AE2 (S). El uso de otros clavos puede producir un fallo de funcionamiento de la herramienta y/o la rotura del clavo, lo que provocaría a su vez lesiones de gravedad.

Con este clavador solamente podrán utilizarse los clavos indicados en la tabla siguiente.

Dimensiones de los clavos

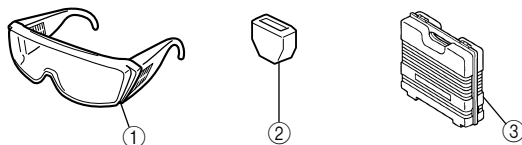
Clavos de punta de calibre 18	Min.		Max.	
	NT50AE2 (S) • NT32AE2 (S)		NT50AE2 (S)	NT32AE2 (S)
	.075" (1.9 mm)		2" (50 mm)	1-1/4" (32 mm)
		.049" (1.25 mm)		

ACCESORIOS

⚠ ADVERTENCIA

- Los accesorios que no sean los mostrados a continuación pueden provocar el mal funcionamiento del clavador y resultar en lesiones.

ACCESORIOS ESTÁNDAR



①	Gafas protectoras	1
②	Tapa para el morro (montada en la herramienta)	2
③	Estuche	1

ACCESORIOS OPCIONALES ... vendido aparte

- Lubricante para herramientas neumáticas
 - Aceitador de 1 onzas (30 cc) (Núm. de código 877153)
 - Aceitador de 4 onzas (120 cc) (Núm. de código 874042)
 - Lata de 1 cuarto de galón (1 litro) (Núm. de código 876212)

NOTA: Los accesorios están sujetos a cambios sin ninguna obligación por parte de HITACHI.

APLICACIONES

- Ensamblaje de armarios, marcos, y arreglo de muebles.
- Arreglo y moldura de casas fijas y móviles.

ANTES DE LA OPERACIÓN

Lea la sección titulada "SEGURIDAD" (páginas 54 – 58).

Antes de la utilización, cerciórese de lo siguiente.

ENTORNO DE TRABAJO

⚠ ADVERTENCIA

- En el lugar de trabajo no deberá haber gases, líquidos, ni demás objetos inflamables.
- No permita que en el área de trabajo haya niños ni demás personas no autorizadas.

SUMINISTRO DE AIRE

⚠ PELIGRO



- No utilice NUNCA oxígeno ni otros gases embotellados. Podría producirse una explosión.

⚠ ADVERTENCIA

- No conecte nunca el clavador a una presión que pueda sobrepasar potencialmente 200 psi (13.7 barías 14 kgf/cm²).
- No utilice nunca un acoplador sin descarga con el clavador.

1. Fuente de propulsión

- Utilice solamente aire comprimido limpio, seco, y regulado como fuente de propulsión para este clavador.
- Los compresores de aire para suministrar aire comprimido a este clavador deberán cumplir los requisitos de la última versión de la norma B 19.3 ANSI "Normas de Seguridad para Compresores para Industrias de Procesos".
- La humedad o el aceite en el compresor de aire puede acelerar el desgaste y la corrosión del clavador. Drénelo diariamente.

2. Filtro-Regulador-Lubricador

- Utilice un regulador con una presión de 0 – 120 psi (0 – 8.3 barías 0 – 8.5 kgf/cm²)
- Las unidades de filtro-regulador-lubricador ofrecen la condición óptima para el clavador y prolongan su duración útil. Estas unidades deberán utilizarse siempre.

Filtro

El filtro elimina la humedad y la suciedad del aire comprimido.

Drene diariamente el clavador a menos que tenga instalado un dispositivo de drenado automático.

Regulador

Mantenga limpio el filtro realizando regularmente su mantenimiento. El regulador controla la presión de operación para poder utilizar con seguridad el clavador.

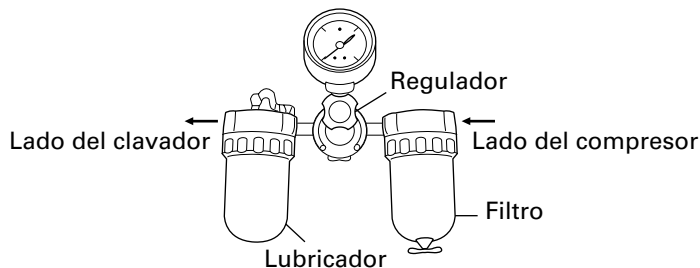
Inspeccione el regulador antes de la operación a fin de asegurarse de que funcione adecuadamente.

Lubricador

El lubricador rocía aceite al clavador.

Inspeccione el lubricador antes de utilizarlo para comprobar si el suministro de lubricante es adecuado.

Utilice lubricante para herramientas neumáticas Hitachi.



3. Manguera de aire

La manguera de aire deberá poder resistir una presión mínima de 150 psi (10.4 barías 10.6 kgf/cm²) o el 150% de la presión máxima producida en el sistema, el valor más alto sea.

4. Consumo de aire

Utilizando la tabla de consumo de aire y la fórmula de tamaño del compresor de aire, busque el tamaño de compresor correcto.

Tabla de consumo de aire

Presión de operación	psi (barías) (kgf/cm ²)	80 (5.5) (5.6)	90 (6.2) (6.3)	100 (6.9) (7)
Consumo de aire	pies ³ /ciclo (litros/ciclo)	.019 (.55)	.023 (.64)	.025 (.73)

Fórmula de tamaño del compresor

Cantidad de aire requerida

= número de martillos neumáticos

× promedio de puntas clavadas cada minuto por martillo neumático

× consumo de aire a la presión dada

× factor de seguridad (siempre 1.2)

Ejemplo: 3 martillos neumáticos (NT50AE2 (S) o NT32AE2 (S)) funcionando a 100 psi para clavar 30 puntas por minuto

Cantidad de aire requerida

= 3 × 30 × .025 (.73) × 1.2

= 2.7 CFM (pies³/min) (78.8 litros/min)

Después de haber realizado los cálculos indicados arriba, tendrá que buscar un compresor que proporcione 2.7 CFM de aire, que es el valor requerido.

LUBRICACIÓN

Es muy importante que el clavador esté adecuadamente lubricado. Sin la lubricación apropiada, el clavador no trabajará correctamente y las piezas se desgastarán prematuramente.

- Utilice lubricante para herramientas neumáticas Hitachi.

No utilice aceite detergente ni aditivos. Estos lubricantes dañarían las juntas tóricas y demás piezas de caucho. Esto haría que el clavador funcionase mal.

- Habrá que utilizar siempre unidades de filtro-regulador-lubricador.

Mantenga el lubricador lleno con lubricante para herramientas neumáticas Hitachi.

- Si no dispone de lubricador, aplique 5 – 10 gotas de lubricante para herramientas neumáticas Hitachi a la entrada de aire del clavador dos veces al día.

CUIDADOS PARA CLIMAS FRÍOS

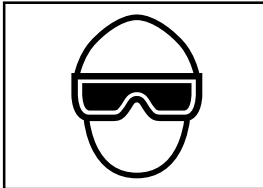
- No guarde el clavador en un lugares fríos.
Déjelo en un lugar cálido antes de comenzar a trabajar.
- Si el clavador está frío, póngalo en un lugar cálido y deje que se caliente antes de utilizarlo.
 - ① Reduzca la presión de aire a 70 psi (4.9 barías 5.0 kgf/cm²).
 - ② Quite todos los clavos del clavador.
 - ③ Conecte la manguera de aire y dispare (disparo en vacío) el clavador.
La reducción de la presión de aire será suficiente para disparar en vacío el clavador.
La operación a baja velocidad tiende a calentar las partes móviles.

⚠ PRECAUCIÓN:

- No dispare en vacío el clavador a alta presión.

PRUEBA DEL CLAVADOR

⚠ PELIGRO



- Los operadores y demás personas que se encuentren en el área de trabajo **DEBEN** usar gafas protectoras con blindajes laterales que cumplan con las especificaciones ANSI Z87.1.

⚠ ADVERTENCIA

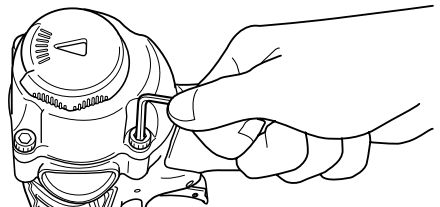
- No utilice nunca el clavador a menos que la palanca de empuje funcione adecuadamente.

Antes de comenzar el clavado, pruebe el clavador utilizando la siguiente lista de comprobaciones. Realice las comprobaciones en el orden indicado.

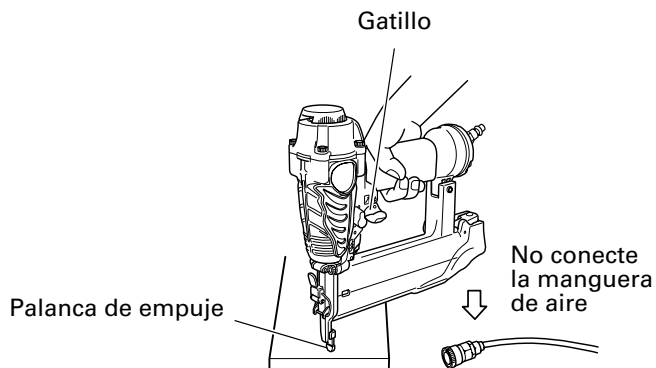
Si se produce alguna operación anormal, deje de utilizar el clavador y póngase inmediatamente en contacto con un centro de reparaciones autorizado por Hitachi.

- (1) DESCONECTE LA MANGUERA DE AIRE DEL CLAVADOR.
QUITE TODOS LOS CLAVOS DEL CLAVADOR.

- TODOS LOS TORNILLOS DEBERÁN ESTAR APRETADOS.
Si hay algún tornillo flojo, apriételo.



- LA PALANCA DE EMPUJE DEBERÁN PODER ACCIONARSE SIN DIFICULTAD.

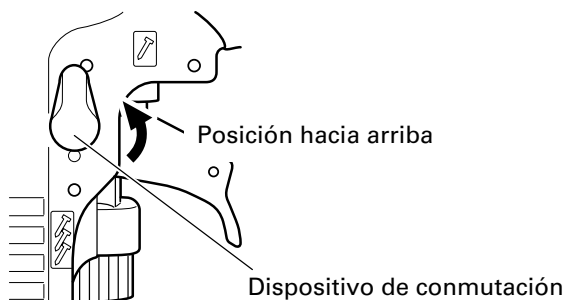


- (2) Ajuste la presión del aire a 70 psi (4.9 barías 5 kgf/cm²).

Conecte la manguera de aire.

No cargue clavos en el clavador.

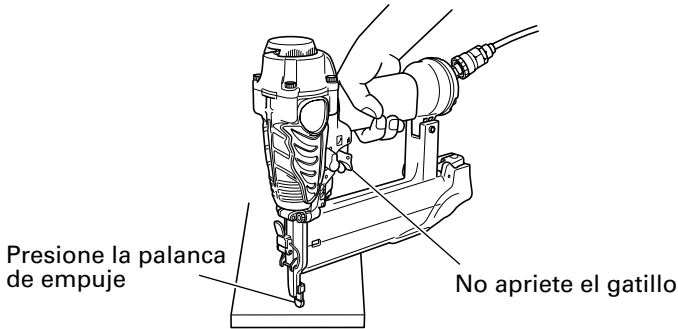
Ajuste el dispositivo de conmutación a la posición hacia arriba (MECANISMO DE ACTUACIÓN SECUENCIAL SIMPLE). (Ajuste el dispositivo de conmutación a la posición completamente hacia arriba, tal como se muestra en el diagrama. De lo contrario, no funcionará correctamente.)



- EL CLAVADOR NO DEBERÁ TENER FUGAS DE AIRE.

(3) Retire el dedo del disparador y presione la palanca de empuje contra la madera.

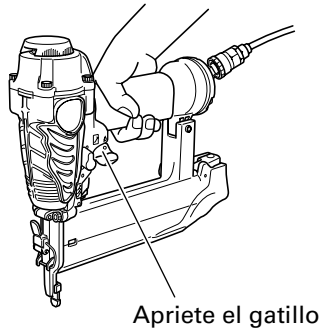
EL CLAVADOR NO DEBERÁ FUNCIONAR.



(4) Retire la palanca de empuje de la madera.

Seguidamente, dirija el clavador hacia abajo, jale el gatillo y espere en esa posición durante 5 segundos o más.

EL CLAVADOR NO DEBERÁ FUNCIONAR.



(5) ① Sin tocar el gatillo, presione la palanca de empuje contra la pieza de trabajo. Apriete el gatillo.

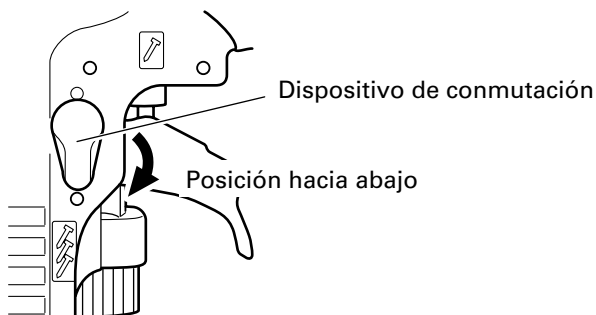
EL CLAVADOR DEBERÁ FUNCIONAR.

② Retire el dedo del disparador.

La operación del clavador finalizará (la hoja del impulsor volverá a la posición superior).

- (6) Ajuste el dispositivo de conmutación a la posición hacia abajo (MECANISMO DE ACTUACIÓN POR CONTACTO).

(Ajuste el dispositivo de conmutación a la posición completamente hacia abajo, tal como se muestra en el diagrama. De lo contrario, no funcionará correctamente.)



Con el clavador fuera de la pieza de trabajo, usted podrá cargar clavos en el mismo. Inserte las puntas en la pieza de trabajo adecuadas a la aplicación.

EL CLAVADOR DEBERÁ FUNCIONAR.

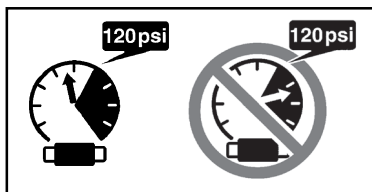
- (7) Si no observa nada anormal, cargue clavos en el clavador.

Clave en la pieza de trabajo los mismos clavos que vaya a utilizar en la aplicación real.

EL CLAVADOR DEBERÁ FUNCIONAR ADECUADAMENTE.

AJUSTE DE LA PRESIÓN DE AIRE

⚠ ADVERTENCIA



- No sobrepase 120 psi (8.3 barías 8.5 kgf/cm²).

Ajuste la presión del aire al valor recomendado, 70 – 120 psi (4.9 – 8.3 barías 5 – 8.5 kgf/cm²) de acuerdo con la longitud de los clavos y la dureza de la pieza de trabajo.

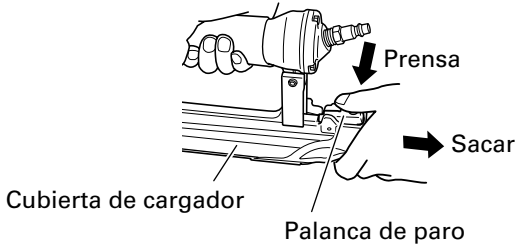
La presión de aire correcta es la más baja con la que pueda realizarse el trabajo. La utilización del clavador con una presión de aire más alta de la requerida lo forzará innecesariamente.

CARGA DE CLAVOS

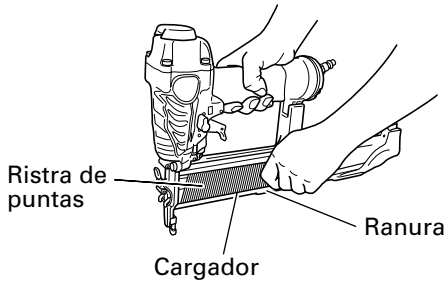
⚠ ADVERTENCIA

- Cuando cargue los clavos en el clavador;
 - 1) no apriete el gatillo,
 - 2) no apriete la palanca de empuje; y
 - 3) mantenga el clavador apuntando hacia abajo.

1) Presione levemente la palanca de paro y quite cuidadosamente la tapa del depósito.

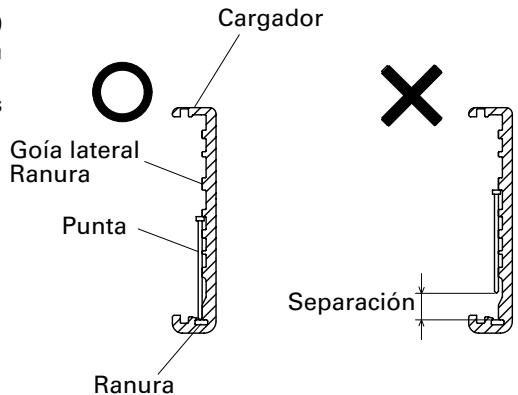


(2) Coloque la ristra de puntas en el cargador y mantenga los extremos de las puntas en contacto con la ranura.

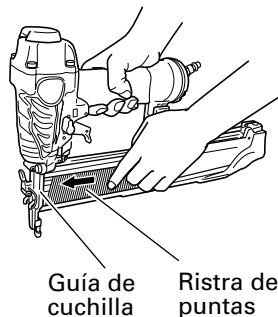


NOTA:

- Las puntas mostradas en la página 60 podrán cargarse en la ranura de la guía lateral del cargador sin ningún ajuste. Mantenga siempre los extremos de las puntas en contacto con la ranura.



- (3) Deslice la ristra de puntas dentro de la guía de la cuchilla.



- (4) Confirme si la ristra de puntas está colocada en las ranura lateral, y después empuje la cubierta del cargador hacia adelante hasta que quede enganchado.

OPERACIÓN DEL CLAVADOR

Lea la sección titulada “SEGURIDAD” (páginas 54– 58).

⚠ PELIGRO



- Los operadores y demás personas que se encuentren en el área de trabajo **DEBEN** usar gafas protectoras con blindajes laterales que cumplan con las especificaciones ANSI Z87.1.

⚠ ADVERTENCIA



- No dirija **NUNCA** la herramienta hacia sí mismo o hacia otras personas del área de trabajo.
- Para evitar un disparo accidental, mantenga los dedos **ALEJADOS** del gatillo disparador cuando no se esté usando la herramienta.
- Es importante la elección de método de activación. Por favor lea y comprenda el “MÉTODOS DE OPERACIÓN” de abajo.

- **Antes de empezar a trabajar, verifique el dispositivo de conmutación para la operación de clavado.**

Este clavador Hitachi incluye un dispositivo de conmutación para la operación de clavado.

Antes de empezar a trabajar, verifique el ajuste del dispositivo de conmutación para la operación de clavado.

Si el dispositivo de conmutación para la operación de clavado no está debidamente ajustado, el clavador no funcionará correctamente.

- **No acerque su cara, manos ni pies a la cabeza de disparo durante el uso.**
- **No clave un clavo sobre otro, ni con el clavador con un ángulo demasiado agudo, ya que los clavos podrían rebotar y herir a alguien.**
- **No clave clavos en paneles finos ni cerca de esquinas ni bordes de la pieza de trabajo. Los clavos podrían traspasar la pieza de trabajo y lesionar a alguien.**
- **No clave nunca clavos desde ambos lados de una pared al mismo tiempo. Los clavos podrían traspasar la pared y lesionar a la persona de la otra parte.**
- **No utilice nunca un clavador defectuoso o que funcione anormalmente.**
- **No utilice el clavador a modo de martillo normal.**
- **Desconecte la manguera de aire del clavador cuando:**
 - 1) **gire del ajustador y la cubierta superior;**
 - 2) **fija o quita la tapa de la nariz;**
 - 3) **no vaya a utilizarlo;**
 - 4) **vaya a abandonar el área de trabajo;**
 - 5) **vaya a trasladarse a otro lugar; y**
 - 6) **vaya a entregárselo a otra persona.**

Este clavador Hitachi está equipado con un dispositivo de conmutación para la operación de clavado.

Utilice el MECANISMO DE ACTUACIÓN SECUENCIAL SIMPLE o el MECANISMO DE ACTUACIÓN POR CONTACTO de acuerdo con la tarea que se va a realizar.

Explicación sobre las diversas operaciones de clavado

- **MECANISMO DE ACTUACIÓN SECUENCIAL SIMPLE:** En primer lugar, presione la palanca de empuje contra la madera y, a continuación, jale el gatillo para introducir el clavo. Una vez que se introduzca un clavo, no se podrá volver a clavar hasta que suelte el gatillo y lo vuelva a presionar.
- **MECANISMO DE ACTUACIÓN POR CONTACTO:** En primer lugar, presione la palanca de empuje contra la madera y, a continuación, jale el gatillo para introducir el clavo. En primer lugar, jale el gatillo y, seguidamente, presione la palanca de empuje contra la madera para que se introduzca el clavo. Si mantiene el gatillo apretado, se introducirá un clavo cada vez que se presiona la palanca de empuje contra la madera.

MÉTODOS DE OPERACIÓN

Este clavador está equipado con una palanca de empuje, y no funcionará a menos que ésta esté presionada (posición hacia arriba).

Existen dos métodos de operación para clavar clavos con este clavador.

Estos métodos son:

1. Operación intermitente (Disparo con el gatillo);
 2. Operación continua (Disparo con la palanca de empuje);
- (1) Operación intermitente (Disparo con el gatillo)

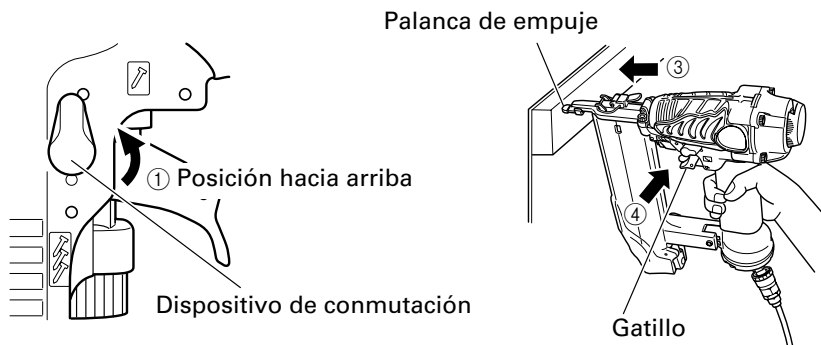
Utilice el ajuste del MECANISMO DE ACTUACIÓN SECUENCIAL SIMPLE.

⚠ ADVERTENCIA

- Para una operación intermitente, ajuste el dispositivo de conmutación a la posición completamente hacia arriba. (Es decir, ajuste a MECANISMO DE ACTUACIÓN SECUENCIAL SIMPLE.)
- Para evitar el doble disparo o el disparo accidental debido a la reculada.
 - 1) Ajuste el mecanismo de conmutación a MECANISMO DE ACTUACIÓN SECUENCIAL SIMPLE.
 - 2) Jale el gatillo rápida y firmemente.

- ① Ajuste el dispositivo de conmutación a la posición superior (para ajustar a MECANISMO DE ACTUACIÓN SECUENCIAL SIMPLE).
(Ajuste el dispositivo de conmutación a la posición completamente hacia arriba, tal como se muestra en el diagrama. De lo contrario, se ajustará a MECANISMO DE ACTUACIÓN POR CONTACTO.)
- ② Coloque la salida de los clavos sobre la pieza de trabajo con el dedo fuera del gatillo.
- ③ Presione a fondo la palanca de empuje.
- ④ Apriete el gatillo para clavar el clavo.
- ⑤ Separe el dedo del gatillo.

Para continuar clavando en un lugar separado, mueva el clavador a lo largo de la madera, repitiendo los pasos ② - ⑤, según se requiera.



⚠ ADVERTENCIA

- Se dispara un clavo cada vez que se presiona el gatillo, siempre que la palanca de empuje permanezca presionada.

(2) Operación continua (Disparo con la palanca de empuje)
Utilización del MECANISMO DE ACTUACIÓN POR CONTACTO

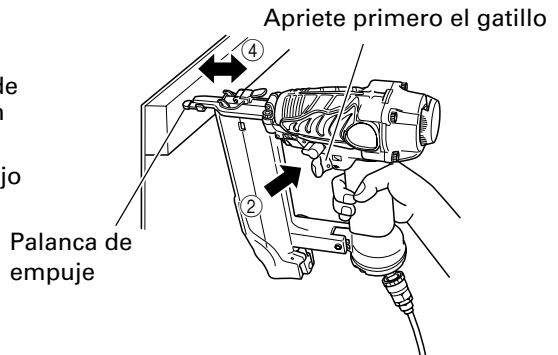
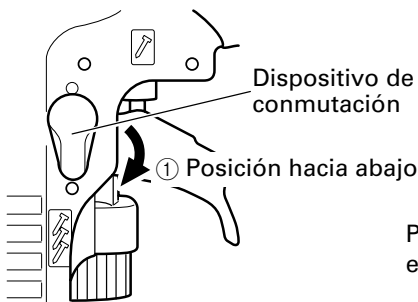
⚠ ADVERTENCIA

- Para evitar el doble disparo o el disparo accidental debido a la reculada.
 - 1) No presione el clavador contra la madera con una fuerza excesiva.
 - 2) Retire el clavador de la madera después de efectuar el clavado.

- ① Ajuste el dispositivo de conmutación a la posición hacia abajo (para ajustar al MECANISMO DE ACTUACIÓN POR CONTACTO).
(Ajuste el dispositivo de conmutación a la posición completamente hacia abajo, tal como se muestra en el diagrama. De lo contrario, no funcionará correctamente.)
- ② Apriete el gatillo con el clavador fuera de la pieza de trabajo.
- ③ Presione la palanca de empuje contra la pieza de trabajo para clavar una punta.
- ④ Desplace el clavador por la pieza de trabajo con un movimiento de rebote.

Con cada presión de la palanca de empuje se clavará un clavo.

Después de haber clavado los clavos necesarios, separe el dedo del gatillo.



⚠ ADVERTENCIA

- Mantenga el dedo separado del gatillo excepto durante la operación de clavado, porque esto podría resultar en lesiones de gravedad si la palanca de empuje entrase accidentalmente en contacto con su cuerpo o con el de otras personas del área de trabajo.
- Mantenga las manos y el cuerpo alejados del área de descarga. Este clavador Hitachi podría rebotar por la reculada producida al meter un clavo, y producir la introducción no intencional del siguiente clavo, con el riesgo de sufrir lesiones.

El MECANISMO DE ACTUACIÓN SECUENCIAL SIMPLE se usa para colocar los fijadores con gran precisión.

El MECANISMO DE ACTUACIÓN SECUENCIAL SIMPLE puede disminuir la ocurrencia de lesiones en el área de trabajo en comparación con el MECANISMO DE ACTUACIÓN DE CONTACTO. **Esto se debe a que hay menos posibilidades de lanzar un clavo de forma no intencional a alguna persona si continúa presionando el gatillo y presiona la palanca de manera accidental.**

El MECANISMO DE ACTUACIÓN SECUENCIAL SIMPLE puede también reducir la velocidad de funcionamiento en comparación con el MECANISMO DE ACTUACIÓN DE CONTACTO. Se recomienda que los usuarios con poca experiencia usen el MECANISMO DE ACTUACIÓN SECUENCIAL SIMPLE.

NOTAS:

- Si se respetan todas las advertencias y precauciones, se podrá realizar una operación segura con los dos sistemas: MECANISMO DE ACTUACIÓN SECUENCIAL SIMPLE, y MECANISMO DE ACTUACIÓN POR CONTACTO .
- Siempre trate el paquete y los clavos con cuidado. Si dejara caer los clavos, se podría quebrar el adhesivo protector, lo cual provocaría a su vez errores de alimentación y atascos.
- Después de haber clavado los clavos:
 - 1) desconecte la manguera de aire del clavador,
 - 2) extraiga todos los clavos del clavador,
 - 3) aplique 5 – 10 gotas de lubricante para herramientas neumáticas Hitachi a la entrada de aire del clavador, y
 - 4) abra la llave de escape del depósito del compresor de aire para drenar la humedad que pueda existir.

AJUSTE DE LA PROFUNDIDAD DE CLAVADO

⚠ ADVERTENCIA

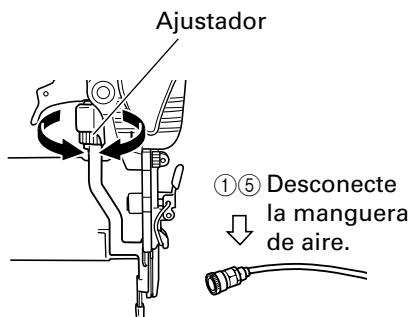
- **Al efectuar el ajuste del ajustador, asegúrese de retirar su dedo del disparador y de desconectar la manguera de aire del clavador.**

Para asegurar que cada clavo penetre con la misma profundidad, cerciórese de que:

- 1) la presión de aire suministrada al clavador permanezca constante (regulador instalado y trabajando adecuadamente), y
- 2) esté sujetando firmemente el clavador contra la pieza de trabajo.

Si los clavos penetran demasiado o demasiado poco en la pieza de trabajo, realice el ajuste en el orden siguiente.

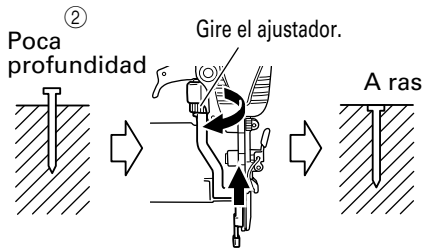
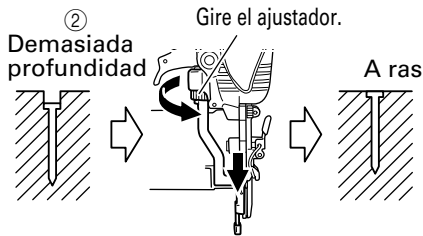
- ① **DESCONECTE LA MANGUERA DE AIRE DEL CLAVADOR.**
- ② Si los clavos penetran demasiado, gire el ajustador hacia la parte de menor profundidad. Si los clavos se insertan demasiado poco, gire el regulador hacia la parte de mayor profundidad.



- ③ Deje de girar el ajustador cuando alcance la posición apropiada realizando una prueba de clavado.
- ④ Conecte la manguera de aire. **UTILICE SIEMPRE GAFAS PROTECTORAS.** Realice una prueba de clavado.
- ⑤ **DESCONECTE LA MANGUERA DE AIRE DEL CLAVADOR.**
- ⑥ Elija la posición adecuada para el ajustador.

NOTA:

- Puede que el clavo no penetre la profundidad suficiente si se utiliza una alta presión con el ajustador posicionado hacia arriba (parte de menor profundidad) debido a factores como dureza del material o tipo del clavo. En este caso, reduzca la presión y ajuste el ajustador a la posición más baja de modo que el clavo penetre hasta una posición adecuada.

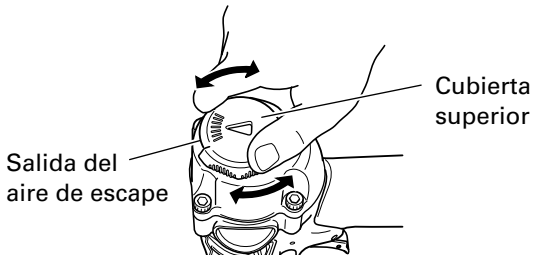


CAMBIO DEL SENTIDO DEL AIRE DE ESCAPE

⚠ ADVERTENCIA

- Cuando cambie la dirección de escape, asegúrese de retirar su dedo del disparador y de desconectar la manguera de aire del clavador.

El sentido del aire de escape podrá cambiarse girando la cubierta superior.



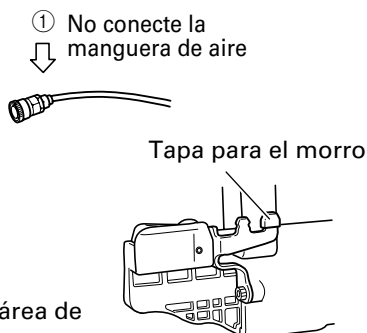
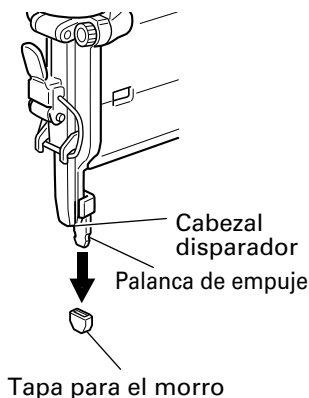
UTILIZACIÓN DE LA TAPA PARA EL MORRO

⚠ ADVERTENCIA

- Al quitar o fijar la tapa del morro, asegúrese de retirar su dedo del disparador y de desconectar la manguera de aire del clavador.

La tapa para el morro está fijada a la punta de la palanca de empuje para proteger la pieza de trabajo de ralladuras o daños. Cuando no estén en uso retírelos en el orden indicado abajo.

- ① DESCONECTE LA MANGUERA DE AIRE DEL CLAVADOR.
- ② Quite la tapa para el morro en la dirección de la flecha indicada en el diagrama.
- Fíjela a la punta de la palanca de empuje en el orden inverso al de la separación.



Cuando no utilice la tapa para el morro, colóquela en el área de almacenamiento en la parte trasera del depósito.

MANTENIMIENTO

NOTA:

La información contenida en este manual ha sido diseñada para ayudarle a mantener con seguridad este clavador.

Algunas ilustraciones de este manual pueden mostrar detalles o dispositivos diferentes a los de su propio clavador.

MANTENIMIENTO E INSPECCIÓN

Lea la sección titulada "SEGURIDAD" (páginas 54– 58).

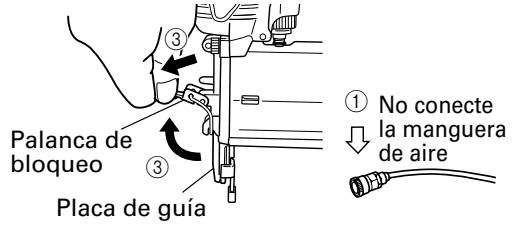
⚠ ADVERTENCIA

- Desconecte la manguera y extraiga todos los clavos del clavador antes de:
 - 1) realizar trabajos de mantenimiento e inspección, y
 - 2) desatascar el clavador.

1. Desatasco de un clavo

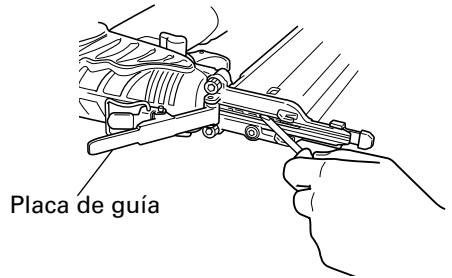
Quite el clavo atascado en el orden siguiente:

- ① DESCONECTE LA MANGUERA DE AIRE.
- ② Extraiga todos los clavos.
- ③ Suelte la palanca de bloqueo y abra la placa de guía.
- ④ Extraiga el clavo atascado con un destornillador de clavo plana.
- ⑤ Cierre la placa de guía y el enganche.
- ⑥ En caso de atasco frecuente, póngase en contacto con un centro de servicio autorizado por Hitachi.



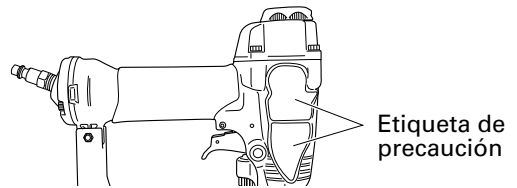
2. Almacenamiento

- Cuando no vaya a utilizar el clavador durante mucho tiempo, aplique una capa fina de lubricante a las piezas de acero para evitar que se oxiden.
- No guarde el clavador en un lugar frío. Guarde el clavador en un lugar cálido.
- Cuando no vaya a utilizar el clavador, deberá guardarlo en un lugar cálido y fresco.



3. ETIQUETA DE PRECAUCIÓN

Si la ETIQUETA DE PRECAUCIÓN se pierde o daña, cámbiela por otra. Solicite la nueva ETIQUETA DE PRECAUCIÓN a un centro de reparaciones autorizado por Hitachi.



4. Tabla de mantenimiento (Consulte la página 77)

5. Solución de problemas por parte del operador (Consulte la página 78)

6. Lista de repuestos

- A: N.º. item
- B: N.º. código
- C: N.º. usado
- D: Observaciones

⚠ PRECAUCIÓN

La reparación, modificación e inspección de las herramientas eléctricas Hitachi deben ser realizadas por un Centro de Servicio Autorizado de Hitachi.

Esta lista de repuestos será de utilidad si es presentada junto con la herramienta al Centro de Servicio Autorizado de Hitachi, para solicitar la reparación o cualquier otro tipo de mantenimiento.

En el manejo y el mantenimiento de las herramientas eléctricas, se deberán observar las normas y reglamentos vigentes en cada país.

MODIFICACIONES

Hitachi Power Tools introduce constantemente mejoras y modificaciones para incorporar los últimos avances tecnológicos.

Por consiguiente, algunas partes (por ejemplo, números de códigos y/o diseño) pueden ser modificadas sin previo aviso.

SERVICIO Y REPARACIONES

ADVERTENCIA

- **Este clavador solamente deberá repararlo personal entrenado por Hitachi, un distribuidor, o el empresario.**
- **Para la reparación, utilice solamente las piezas suministradas o recomendadas por Hitachi.**

Todos los clavadores de calidad requerirán el servicio de mantenimiento o de reemplazo de piezas debido al desgaste con la utilización normal.

NOTA:

Las especificaciones están sujetas a cambio sin previo aviso sin ninguna obligación por parte de HITACHI.

Tabla de mantenimiento

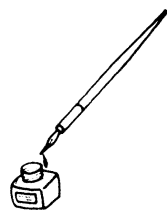
ACCIÓN	PARA	CÓMO
Drenaje diario del filtro de la línea de aire.	Evitar la acumulación de humedad y suciedad.	Abra la llave de escape manual.
Mantenimiento del lubricador lleno.	Mantener el clavador lubricado.	Rellene con lubricante para herramientas neumáticas Hitachi.
Limpieza del elemento del filtro y soplado de aire a través del mismo en sentido opuesto al normal de flujo del aire.	Evitar que el filtro se atasque con suciedad.	Siga las instrucciones del fabricante.
Limpieza del cargador y del mecanismo del alimentador.	Evitar atascos.	Sople diariamente.
Mantenimiento de la palanca de empuje en perfectas condiciones.	Garantizar la seguridad del operador y la operación eficaz del clavador.	Sople diariamente.
Lubricación del clavador después de haberlo utilizado.	Prolongar la duración del clavador.	Aplique 5 – 10 gotas de lubricante al clavador.
Drenaje del compresor de aire.	Mantener el clavador en buenas condiciones de operación.	Abra la llave de llave de escape.

Solución de problemas por parte del operador

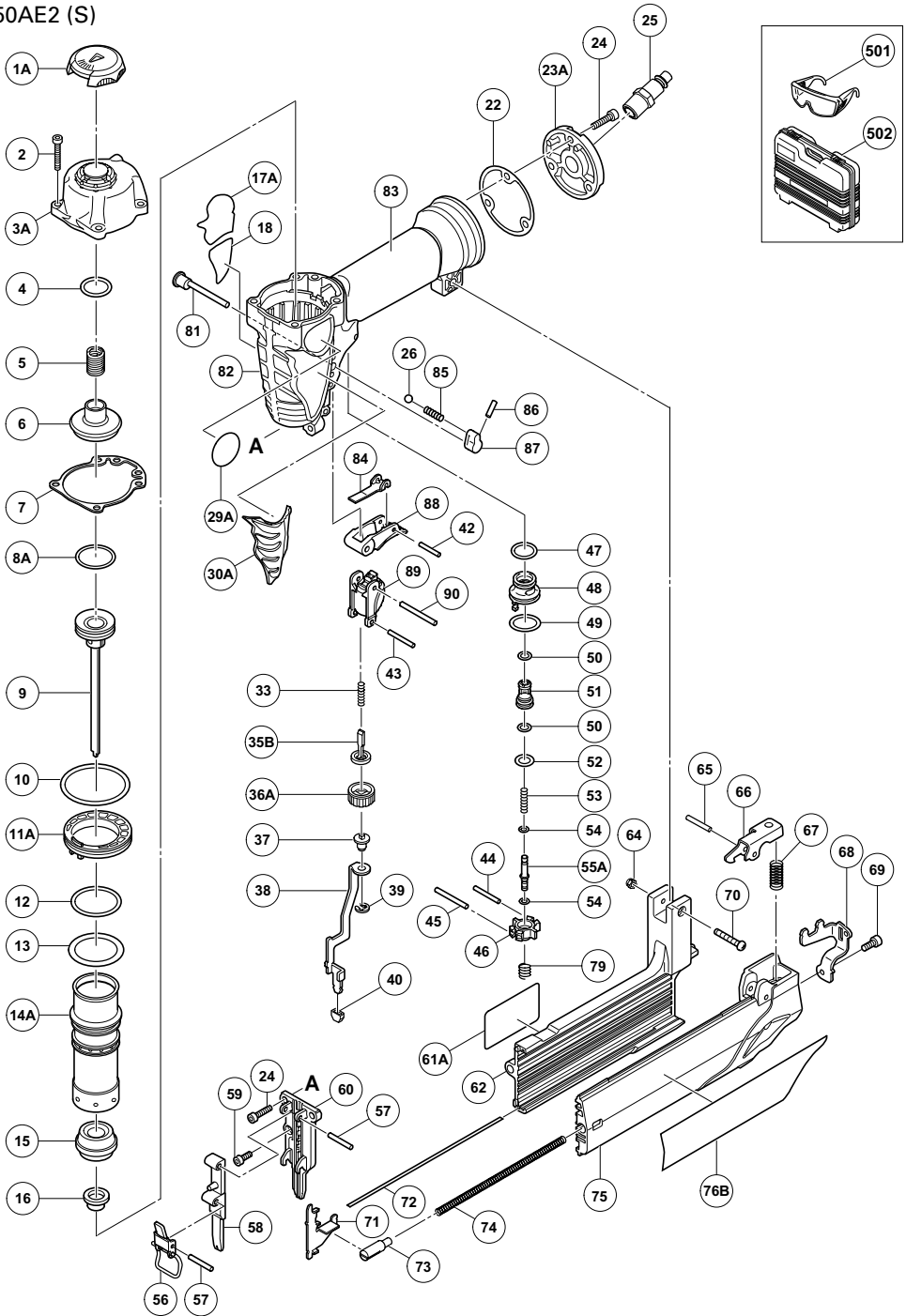
La mayoría de los problemas sin importancia podrán resolverse fácilmente utilizando la tabla siguiente.

Si el problema persiste, póngase en contacto con un centro de reparaciones autorizado por Hitachi.

PROBLEMA	MÉTODO DE COMPROBACIÓN	SOLUCIÓN
El clavador funciona pero no clava clavos.	Compruebe si está atascado.	Desatasque como se indica en la página 75.
	¿Está dañado el alimentador de clavos?	Reemplace el alimentador de clavos.
	¿Está flojo o dañado el resorte de alimentación?	Reemplace el resorte de alimentación.
	Compruebe si los clavos son los apropiados.	Utilice solamente los clavos recomendados.
Poca fuerza. Reciclado lento.	Compruebe la presión de aire.	Aumente la presión de aire. (No sobrepase 120 psi (8.3 barías 8.5 kgf/cm ²))
	Verifique la posición del regulador de la profundidad de clavado.	Efectúe el reajuste según lo indicado en la página 73.
	—	Utilice lubricantei para herramientas neumáticas Hitachi.
	¿Está gastada la cuchilla impulsora?	Solicite otra de reemplazo a Hitachi.
	¿Está desgastada o dañada la junta tórica del pistón?	
Los clavos penetran demasiado.	Compruebe la presión de aire.	Reduzca la presión de aire. (Ajústela a 70 – 120 psi (4.9 – 8.3 bar 5 – 8.5 kgf/cm ²))
	Compruebe la posición del ajuste de la profundidad de clavado.	Efectúe el reajuste según lo indicado en la página 73.
Salto de clavos. Alimentación intermitente.	Compruebe si está los utilizando los clavos apropiados.	Utilice solamente los clavos recomendadas.
	¿Está dañado el alimentador de clavos?	Reemplace el alimentador de clavos.
	¿Está flojo o dañado el resorte de alimentación?	Reemplace el resorte de alimentación.
	¿Está desgastada o dañada la junta tórica del pistón?	Póngase en contacto con Hitachi para reemplazarlo.
Clavos atascados. Los clavos se clavan doblados.	Compruebe si los clavos son las apropiadas.	Utilice solamente los clavos recomendados.
	¿Está gastada la cuchilla impulsora?	Póngase en contacto con Hitachi para reemplazarlo.
El funcionamiento es normal, pero no es posible clavar a gran velocidad.	Compruebe el diámetro interior de la manguera de aire.	Utilice otra manguera de aire de mayor diámetro.



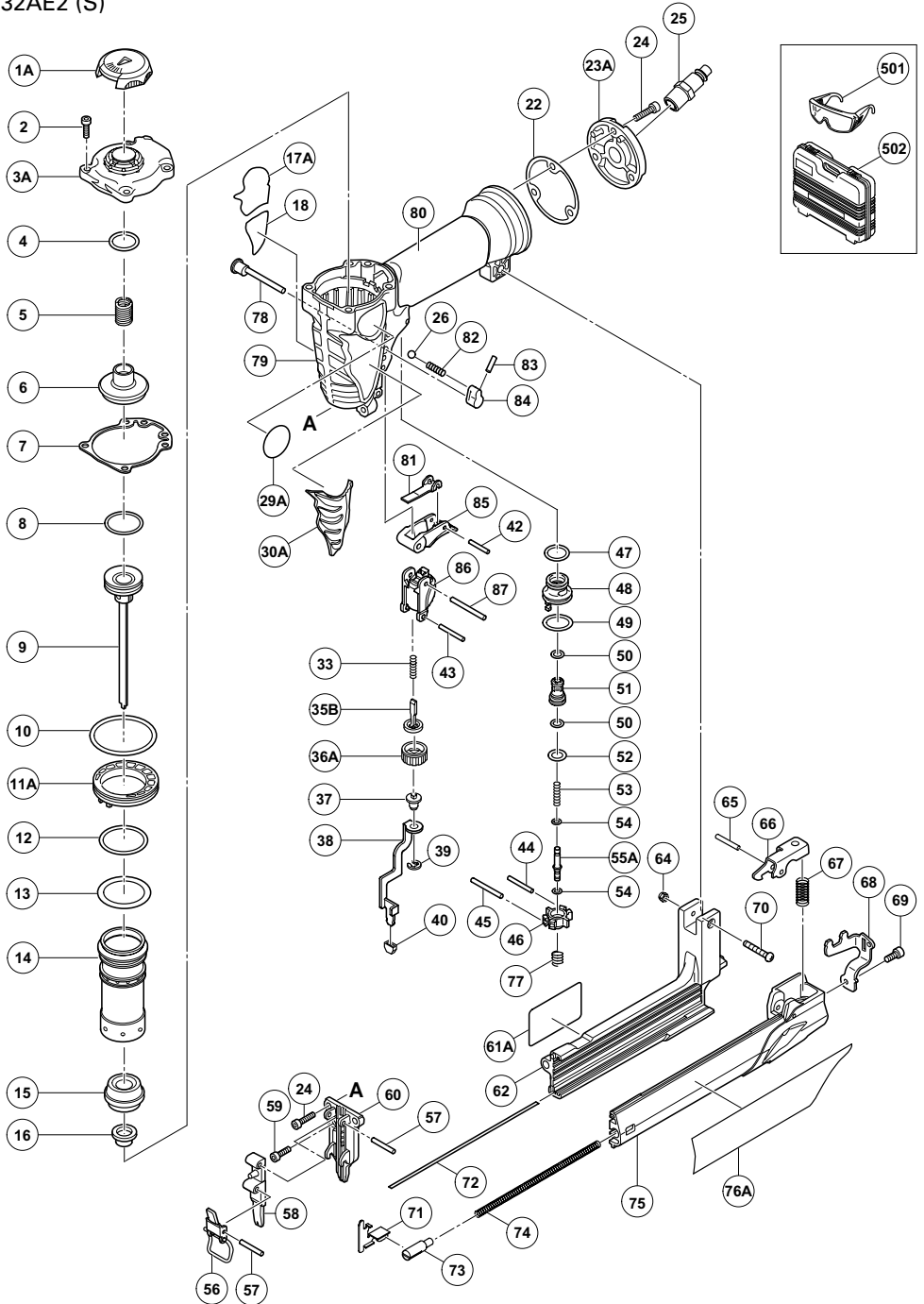
NT50AE2 (S)



NT50AE2 (S)

A	B	C	D	A	B	C	D
1A	886197	1		52	872654	1	1AP-10
2	949757	4	M5 × 20	53	884966	1	
3A	886733	1		54	878888	2	I.D. 1.8
4	878600	1		55A	887679	1	
5	880190	1		56	885889	1	
6	880410	1		57	949518	2	D3 × 18
7	885868	1		58	885890	1	
8A	886068	1		59	880413	1	M4 × 10
9	885870	1		60	885891	1	
10	885871	1	I.D 44.7	61A	————	1	
11A	885872	1		62	885893	1	
12	301684	1	S-30	64	876465	1	M4
13	986374	1	P-32	65	949685	1	D3 × 20
14A	885873	1		66	885894	1	
15	885874	1		67	885895	1	
16	885875	1		68	885896	1	
17A	————	1		69	880413	1	M4 × 10
18	885877	1		70	885960	1	M4 × 25
22	884342	1		71	885897	1	
23A	884343	1		72	885898	1	
24	949821	5	M5 × 16	73	885899	1	
25	————	1		74	885900	1	
26	959155	1	D3.97	75	885901	1	
29A	————	1		76B	————	1	
30A	886735	1		79	884994	1	
33	885881	1		81	887668	1	
35B	887678	1		82	887681	1	"83"
36A	886736	1		83	————	1	
37	885885	1		84	887670	1	
38	885886	1		85	887673	1	
39	872971	1		86	887458	1	D3 × 10
40	885887	2		87	887684	1	
42	881951	1	D2.5 × 16	88	887671	1	"42, 84"
43	949539	1	D3 × 25	89	887686	1	
44	949539	1	D3 × 25	90	887675	1	D3 × 35
45	884975	1	D3 × 32	501	875769	1	
46	884962	1		502	885902	1	
47	877763	1	I.D. 14				
48	884963	1					
49	873570	1	P-18				
50	676531	2	P-7				
51	884964	1					

NT32AE2 (S)



NT32AE2

A	B	C	D	A	B	C	D
1A	886197	1		52	872654	1	1AP-10
2	949757	4	M5 × 20	53	884966	1	
3A	886732	1		54	878888	2	I.D. 1.8
4	878600	1		55A	887679	1	
5	880190	1		56	885889	1	
6	880410	1		57	949518	2	D3 × 18
7	885868	1		58	885909	1	
8	885869	1	P22.4	59	880413	1	M4 × 10
9	885904	1		60	885910	1	
10	885871	1	I.D 44.7	61A	_____	1	
11A	885872	1		62	885911	1	
12	301684	1	S-30	64	876465	1	M4
13	986374	1	P-32	65	949685	1	D3 × 20
14	885905	1		66	885894	1	
15	885874	1		67	885895	1	
16	885906	1		68	885896	1	
17A	_____	1		69	880413	1	M4 × 10
18	885877	1		70	885960	1	M4 × 25
22	884342	1		71	885912	1	
23A	886734	1		72	885898	1	
24	949821	5	M5 × 16	73	885899	1	
25	_____	1		74	885900	1	
26	959155	1	D3.97	75	885913	1	
29A	_____	1		76A	_____	1	
30A	886735	1		77	884994	1	
33	885881	1		78	887668	1	
35B	887678	1		79	887681	1	"80"
36A	886736	1		80	_____	1	
37	885885	1		81	887670	1	
38	885908	1		82	887673	1	
39	872971	1		83	887458	1	D3 × 10
40	885887	2		84	887684	1	
42	881951	1	D2.5 × 16	85	887671	1	"42, 81"
43	949539	1	D3 × 25	86	887686	1	
44	949539	1	D3 × 25	87	887675	1	D3 × 35
45	884975	1	D3 × 32	501	875769	1	
46	884962	1		502	885902	1	
47	877763	1	I.D. 14				
48	884963	1					
49	873570	1	P-18				
50	676531	2	P-7				
51	884964	1					

Issued by

 **Hitachi Koki Co., Ltd.**

Shinagawa Intercity Tower A, 15-1, Konan 2-chome,
Minato-ku, Tokyo 108-6020, Japan

Distributed by

 **Hitachi Koki U.S.A., Ltd.**

3950 Steve Reynolds Blvd.
Norcross, GA 30093

 **Hitachi Koki Canada Co.**

450 Export Blvd. Unit B,
Mississauga ON L5T 2A4

011

Code No. C99196261

Printed in Taiwan