



Jackhammer Trolley JHT



OPERATOR'S MANUAL






CONTENTS

ABOUT THIS MANUAL	2
- Key Terms	2
- Disclaimer	3
PRODUCT INFORMATION	4
- Safety Information	4
o General Safety Instructions	4
o Safety Stickers	5-6
- Warranty	7-10
- Product Description and Specifications	12-13
INSTRUCTIONS FOR USE	14
- STEP 1 – Fitting A Jack Hammer	14-17
- STEP 2 – Using the Hammer Trolley	17-18
- STEP 3 – Servicing the Hammer Trolley	19
APPENDIX	20-26
A. JHT PARTS BREAKDOWN	
B. BLOCK SETS BREAKDOWN	
C. HAZARD ASSESSMENT	
D. SALES AND SPARES	
E. JACK HAMMER MANUAL (WHEN PURCHASED)	

ABOUT THIS MANUAL

This manual is designed to provide the user with the information required to operate and maintain the Jack Hammer Trolley correctly and safely.

Key Terms

 READ CAREFULLY	READ CAREFULLY – refers to important information that should be paid careful attention.
 CAUTION	CAUTION - indicates a situation that may cause injury or damage to the machine if the user does not follow the instructions.
 WARNING	WARNING – indicates a situation that may cause injury or death if the user does not follow the instructions correctly.
 DANGER	DANGER – indicates a situation that will cause injury or death if the user does not follow the instructions as written.
 PROHIBITED	PROHIBITED – identifies actions that should never be carried out by any one interacting with the machine.

Disclaimer

MAKINEX, and its affiliates, takes no responsibility for any damage, injury or death resulting from the incorrect or unsafe use of this machine. Use of this machine should be undertaken by competent persons only. It is the operators' responsibility to ensure that the following safety procedures are followed.

PRODUCT INFORMATION

Safety Information

General Safety Instructions

Throughout this document there are several safety warnings. The user should read through this complete document before using the Jack Hammer Trolley.



**READ
CAREFULLY**

Ensure you read all information contained in this manual before using the Jack Hammer Trolley



**READ
CAREFULLY**

Ensure you read the manual and safety instructions for the Jack Hammer and other components that are part of this unit. See Appendix for more information



DANGER

Always wear the recommended personal protective equipment



PROHIBITED

Never expose the machine to moisture or rain

Safety Stickers

There is a safety and information panel provided on the front of the Jack Hammer Trolley to alert the user of potential safety risks/hazards. Please read and adhere to all instructions on the Unit.



PROHIBITED

It is forbidden to remove any safety or instructional stickers or panels from the Jack Hammer Trolley



**READ
CAREFULLY**

Read all safety and instructional stickers displayed on each component of the Jack Hammer Trolley

MAKINEX

CONSTRUCTION PRODUCTS

Jackhammer Trolley - JHT

SAFETY OPERATING INSTRUCTIONS

- Ensure jackhammer is switched off before plugging in or disconnecting from mains power
- Ensure machine is always grounded
- Use a dedicated mains power supply with extension lead not exceeding 10 metres/ 11 yards
- Use caution when changing attachments
- Take regular breaks to avoid personal injury, stress, strain and fatigue

makinex.com

Designed in Australia | Made in China
US Patent No.s D668420 & 8240682



Warranty

In order to take advantage of the MAKINEX limited warranty, you must have maintenance performed according to the schedule (contained in relevant owner's manual supplied with this product), by an authorised MAKINEX dealer or MAKINEX service technician. You are free to have your MAKINEX product serviced by any suitably qualified mechanic or electrician (depending on the mechanical or electrical requirement) and this will not affect your statutory warranties, however, failure by the owner to have the recommended servicing carried out by an authorised MAKINEX dealer/service technician means that you cannot take advantage of the MAKINEX limited warranty.

In order to ensure your safety, we strongly recommend that you only use an authorised MAKINEX dealer for servicing. Only authorised MAKINEX dealers have access to all the special tools, technical information, parts and training required to maintain your MAKINEX product in peak operating condition.

MAKINEX warrants each new Jack hammer Trolley to be free from defects in material and workmanship under normal domestic and industrial use and service for the period specified below, conditional to the limitations and exclusions printed on this page. This warranty applies only to new MAKINEX Jack hammer Trolleys distributed by us and by our authorised MAKINEX dealers.

You are entitled to a replacement or refund for a major failure and compensation for any other reasonably foreseeable loss or damage. You are also entitled to have the goods repaired or replaced if the goods fail to be of acceptable quality and the failure does not amount to a major failure.

WARRANTY: (Ex-factory/ Reseller premise)

MAKINEX warrants to the original purchaser:

- MAKINEX provides a Limited One Year Warranty that applies to Jack Hammer Trolley only (this excludes the Jack Hammer and any other attachments and consumables).
- Any unauthorized repair or part replacement will void warranty. Refer to manufacturer for all repairs.
- Regular service must be carried out by competent persons only; failure to comply will void warranty.
- Jack Hammer (where purchased) is to be covered by original manufacturer. Please refer to their manual for more information.

Transportation charges on product submitted for repair or replacement under this warranty are the sole responsibility of the purchaser. This warranty only applies to the original purchaser and is not transferable.

Warranty Exclusions:

- Warranty does not cover wear and tear, breakage, misuse or theft.
- Warranty does not cover consumables (e.g. blades).
Warranty does not cover attachments (e.g. Shanks and Tile Smasher heads).
- Warranty will not apply to parts and/or labour if this Jack hammer Trolley is deemed to be misused, neglected, installed improperly or set up incorrectly.

Warranty Exclusions

- Cosmetic defects such as decals and coating.
- Failures due to acts of God and other force majeure events beyond the manufacturer's control.
- Problems caused by parts that are not original MAKINEX parts.

Responsibility of the consumer under this Limited Warranty:

- Strict adherence to the maintenance checks and schedule with proof of scheduled maintenance service required by an authorised agent or qualified mechanic.
- Maintenance services are not covered under warranty.
- It is the consumer's responsibility to deliver the machine in question to our service premises or to the premises of our appointed agent at the consumer's expense for replacement or repair as applicable.

Claim Procedure:

- Contact MAKINEX by phone or email informing us of your machines problem or defect.
- Once the extent of the claim has been assessed, we retain the right to compensate the consumer for such defect, or repair (parts & labour), or replace the machine under warranty.
- All warranties will be carried out by MAKINEX authorised staff or appointed agents at a premises to be determined by the Manufacturer.
- It is the responsibility (and cost) of MAKINEX or our appointed agent to return the machine to be repaired or replaced under warranty to the consumer- this is valid for domestic territories only (e.g. machine purchased in USA will repaired/replaced under warranty and returned to the USA consumer. Machine purchased in Australia will be repaired/ or replaced under warranty and returned to the Australian consumer etc.)

- Where the specific warranty component (e.g. Jack hammer) is under a Manufacturer's warranty other than MAKINEX (e.g. Bosch, Hitachi, Makita, Hilti etc), the consumer can either contact MAKINEX or the applicable Manufacturer for repairs where such warranty was registered with that manufacturer at purchase.
- Warranty calls will only be carried out by our representatives and not via client's choice of repairer. We will not accept back charges for any work not carried out by our representatives, or accept any charges due to equipment being un-operational for any reason even during its warranty period.

WARRANTY CONTACT INFORMATION:

AUSTRALIA

Tel + 61 2 9460 8071
Fax +61 2 9439 9815
d.lobban@makinex.com.au
15 Waltham St, Artarmon, NSW
2064 AUSTRALIA

USA

Tel 407-446-1966
j.spencer@makinexusa.com
m.spencer@makinexusa.com

EUROPE

Tel +31 (0)6 24881203
+31 (0)6 50841849

SERVICE & PART ORDERING

For service and ordering parts, please call

AUS: 1300 795 953 or +61 2 9460 8071

USA: 407-446-1996

EUROPE: +31 (0)6 24881203 or +31 (0)6 50841849

Or your nearest MAKINEX distributor

We have very knowledgeable, experienced staff to assist you with help and advice.

Product Description and Specifications

The versatile Jackhammer Trolley packs a punch, saving you a lot of hard work and effort. Let the Jackhammer Trolley take the workload of your back!

No more struggling or bending trying to handle heavy hammers, the trolley takes the pain out of demolition and renovation.

The Jackhammer Trolley enables your demolition hammer to lift most types of linoleum and tile, break rocks and blocks, crack concrete and sandstone all with a minimum of effort.

With a wide range of angle the Jack Hammer Trolley adapts to any situation with a maximum leverage.

Features

- Durable zinc coated frame
- Angle adjustment – with huge angle range
- Choice of popular brand hammers, will suit most hammers
- Anti-vibration ergonomic design
- Large wheels

TABLE 2: Product Specifications

HEIGHT WHEN RAISED	1100mm/43.3”
HEIGHT WHEN LOWERED	600mm/23.6”
OVERALL WIDTH	510mm/20”
OVERALL LENGTH	1100mm/43.3”
ANGLE OF ADJUSTMENT	73° (93° closed, 20° open)
WEIGHT (WITHOUT JACKHAMMER)	28kg/62lb

INSTRUCTIONS FOR USE



Do not operate the Jack Hammer without wearing the appropriate personal protective equipment and assessing the surrounding area for hazards.

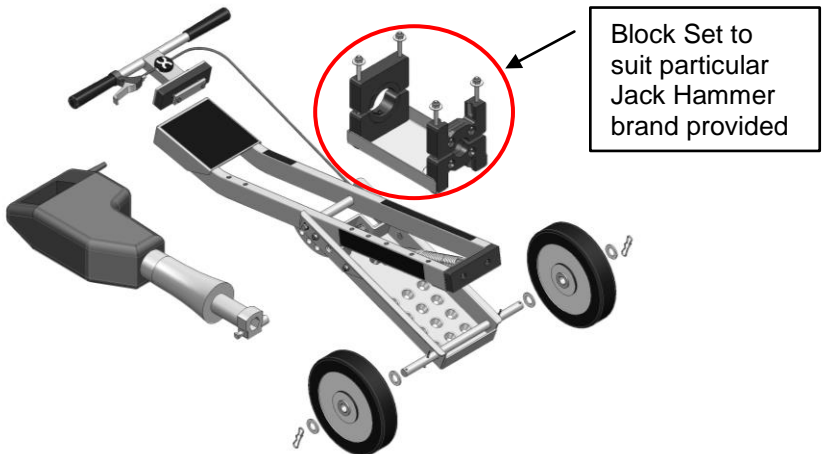
STEP 1 – Fitting a Jack Hammer

Tools Required

- 17mm socket
- 19mm socket
- Shifter
- Phillips head screwdriver
- Pliers

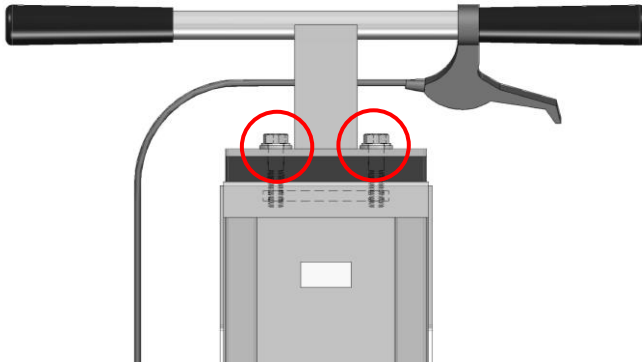
Instructions

1. You should have the parts pictured below:



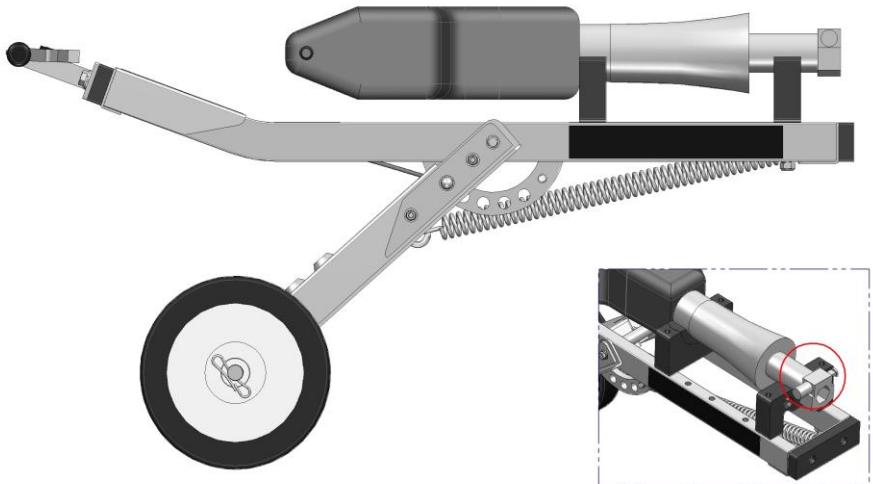
Jackhammer sold separately

2. Attach the handle to the frame with the two mounting bolts provided.

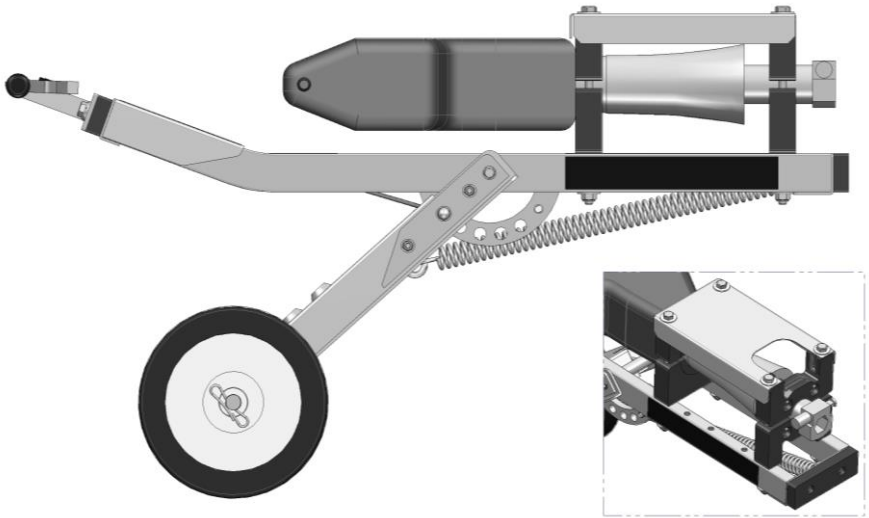


3. NOTE – for Block Set details refer to **APPENDIX B**.

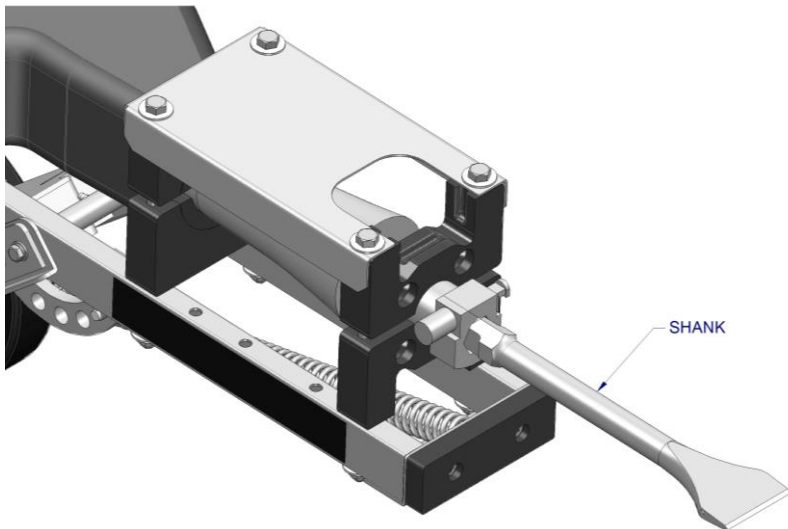
Lower trolley to its lowest position and support the end to hold the frame level, then place the base blocks on the frame. Place the jackhammer on top of the base blocks. Ensure the attachment lock on the jackhammer is facing out, as shown on the picture below:



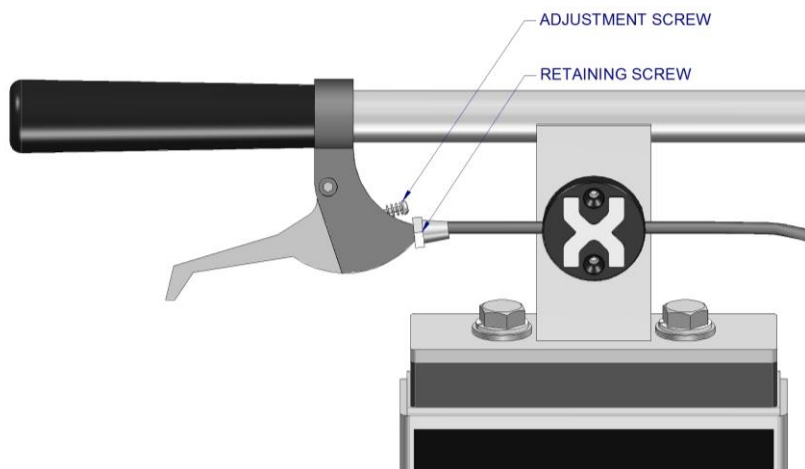
4. Place top blocks and the cover plate on top of the jackhammer and tighten the supplied bolts until they are snug.



5. Mount the jackhammer shank, see jackhammer user manual for details



Brake Lever Adjustment



Instructions

1. Ensure cable is not kinked anywhere along its length
2. Tighten retaining screw with pliers
3. Tighten adjustment screw to remove slack from the cable. Note that some slack in the mechanism is normal.

STEP 2 – Using the Hammer Trolley



WARNING

Ensure the machine is switched OFF before plugging in



CAUTION

Ensure Moil is correctly inserted and locked in position before use

1. Ensure Hammer is secure in clamping mechanism and cannot rotate.
2. Position and angle before commencing work.

To change angle - lift handles to take weight off lock mechanism then pull the brake lever to disengage the lock mechanism. Lift or lower the height of the handles to achieve the desired angle of jackhammer then release brake lever to reengage the lock mechanism.

3. Never allow Hammer or moil to overheat.
4. Switch on with trigger
5. Lock into position with trigger lock
6. Refer to Hammer Instruction Manual for more detail on operation and service



WARNING

Always switch off machine before unplugging

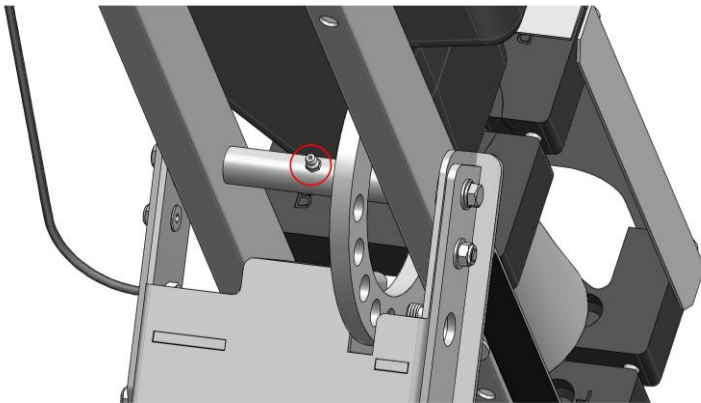
STEP 3 – Servicing the Hammer Trolley

Every Use:

- Inspect frame for damage
- Ensure bolts are secure

Every 6 Months:

- Adjust brake lever to eliminate free-play
 - See page 13 for details
- Lubricate brake lever cable
 - Drip oil from the top of the cable so it runs through the cable housing
 - Use light weight oil; grease or heavy oil will clog the cable housings
- Grease the pivot axle
 - Use a grease gun and apply grease until excess starts to leak out. See picture below for location of grease nipple:



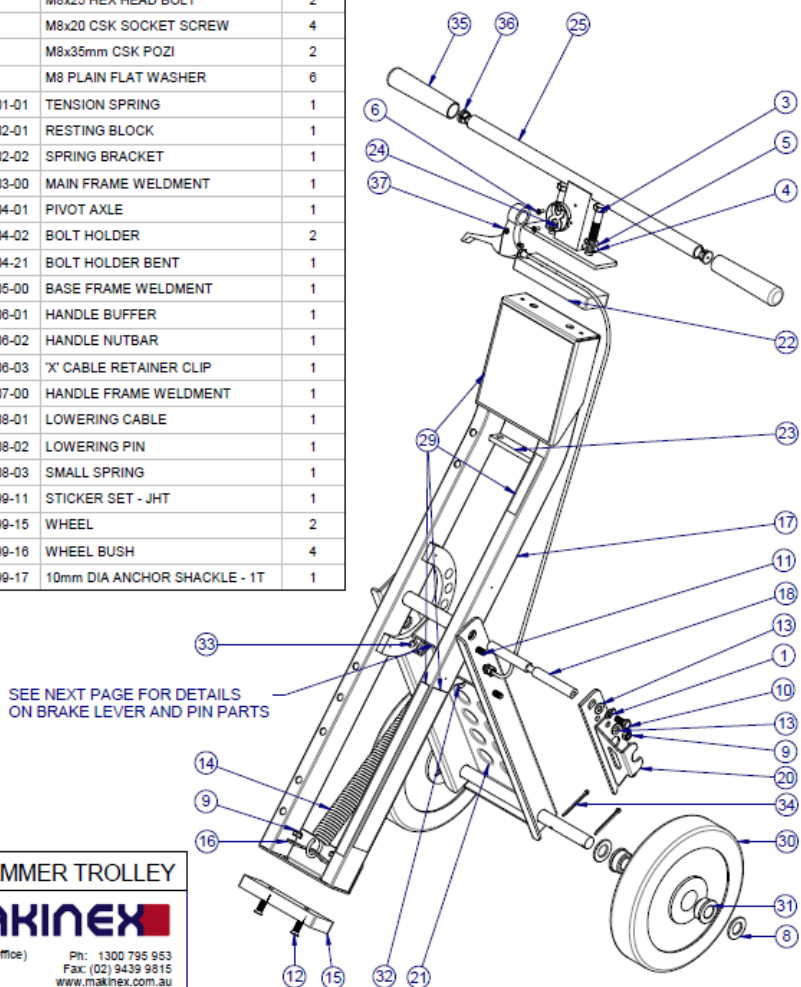
APPENDICES

- A. JACK HAMMER TROLLEY PARTS BREAK DOWN
- B. BLOCK SETS BREAKDOWN
- C. JACK HAMMER TROLLEY - HAZARD ASSESSMENT
- D. BLOCK SET PART SELECTION DETAILS
- E. SALES AND SPARES
- F. JACK HAMMER MANUAL (WHEN PURCHASED)

Appendix A – JHT PARTS BREAKDOWN

#	Document Number	Title	Quantity
1		M8 SPRING WASHER	3
2		M8 HEX NUT	2
3		M12x50 HEX HEAD BOLT	2
4		M12 WASHER	2
5		M12 SPRING WASHER	2
6		M4x12 COUNTERSUNK BOLT	2
7		GREASE NIPPLE	1
8		M20 NYLON WASHER	6
9		M8 HEX NUT NYLOC	6
10		M8x25 HEX HEAD BOLT	2
11		M8x20 CSK SOCKET SCREW	4
12		M8x35mm CSK POZI	2
13		M8 PLAIN FLAT WASHER	6
14	JHT-01-01	TENSION SPRING	1
15	JHT-02-01	RESTING BLOCK	1
16	JHT-02-02	SPRING BRACKET	1
17	JHT-03-00	MAIN FRAME WELDMENT	1
18	JHT-04-01	PIVOT AXLE	1
19	JHT-04-02	BOLT HOLDER	2
20	JHT-04-21	BOLT HOLDER BENT	1
21	JHT-05-00	BASE FRAME WELDMENT	1
22	JHT-06-01	HANDLE BUFFER	1
23	JHT-06-02	HANDLE NUTBAR	1
24	JHT-06-03	'X' CABLE RETAINER CLIP	1
25	JHT-07-00	HANDLE FRAME WELDMENT	1
26	JHT-08-01	LOWERING CABLE	1
27	JHT-08-02	LOWERING PIN	1
28	JHT-08-03	SMALL SPRING	1
29	JHT-99-11	STICKER SET - JHT	1
30	JHT-99-15	WHEEL	2
31	JHT-99-16	WHEEL BUSH	4
32	JHT-99-17	10mm DIA ANCHOR SHACKLE - 1T	1

#	Document Number	Title	Quantity
33	JHT-99-21	M12 SPRING PLUNGER	1
34	JHT-99-42	COTTER SPLIT PIN	4
35	JHT-99-61	HANDLE GRIP	2
36	JHT-99-62	HANDLE END PLUG	2
37	JHT-99-63	BRAKE LEVER & CABLE	1
38	JHT-99-81	R-CLIP	1

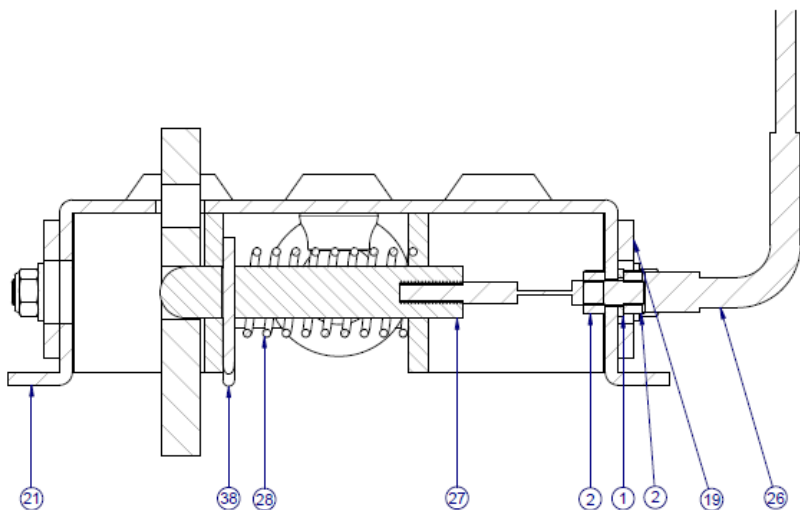


JACK HAMMER TROLLEY

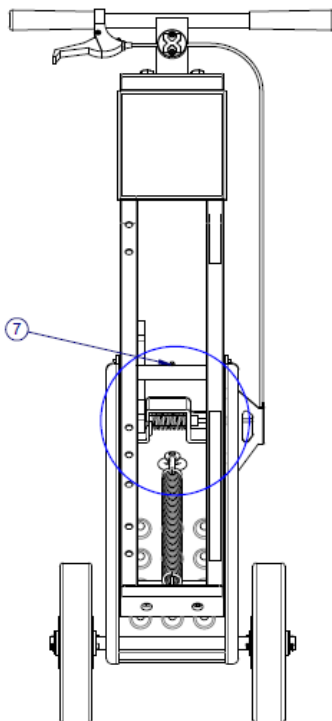
MAKINEX

Sydney (Head Office) Ph: 1300 795 953
 15 Waltham St Fax: (02) 9439 9815
 Artamon, 2064 www.makinex.com.au
 NSW, Australia sales@makinex.com.au

11022005



REFER TO PREVIOUS PAGE
FOR PARTS LIST



JACK HAMMER TROLLEY

MAKINEX

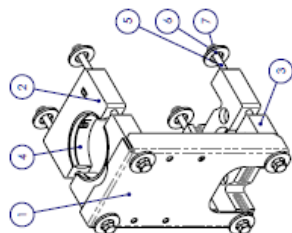
Sydney (Head Office) Ph: 1300 795 953
 15 Waltham St Fax: (02) 9439 9915
 Artamon, 2064 www.makinex.com.au
 NSW, Australia sales@makinex.com.au

11/05/2014

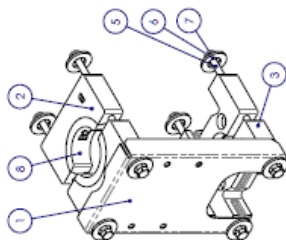
Appendix B – BLOCK SETS BREAK DOWN

PRINT MAY BE REDUCED - DO NOT SCALE.

UNIVERSAL KIT

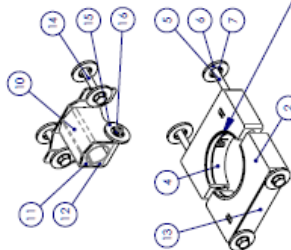


BOSCH CLAMP ASSEMBLY



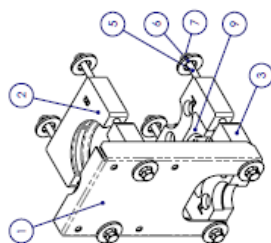
HITACHI & DEWALT CLAMP ASSEMBLY

HILTI KIT

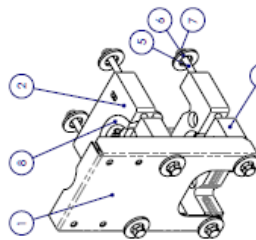


HILTI CLAMP ASSEMBLY

NOTE: THE B1 ADAPTOR block need to have the thinner part cut off to mount the HILTI HAMMER



MAKITA CLAMP ASSEMBLY



MILWAUKEE CLAMP ASSEMBLY

ITEM	PART NO.	DESCRIPTION
1	JHT-09-02	UNIVERSAL TOP PLATE
2	JHT-09-011	B-BLOCK
3	JHT-09-12	F-BLOCK
4	JHT-09-13	B1-ADAPTOR
5	M10 x 250 / 7P HEX BOLT	
6	M10 HEX NUT (NYLOC)	
7	M10 HEX NUT (NYLOC)	
8	JHT-09-14	E2-ADAPTOR
9	JHT-09-15	E1-ADAPTOR
10	JHT-09-04	HILTI HANDLE BLOCK PLATE
11	JHT-09-17	HILTI HANDLE MOUNT LOWER
12	JHT-09-16	HILTI HANDLE MOUNT UPPER
13	JHT-09-06	HILTI BLOCK TOP PLATE
14	M8 x 65 HEX BOLT	
15	M8 WASHER	
16	M8 HEX NUT (NYLOC)	

JACK HAMMER TROLLEY - CLAMP ASSEMBLIES

MAKINEX

Sydney (Head Office) Ph: 0300 795 993
 15 Williams Rd, Belfield NSW, Australia
 Fax: 02 9514 8815
 www.makinex.com.au
 sales@makinex.com.au

PRODUCT RISK / HAZARD ASSESSMENT TABLE

Product Name: EASY HAMMER P5		Assessment Carried Out By: RORY KENNARD		
Manufacturer: WORK SMART EQUIPMENT		Document/ Revision Number: 3		
Operator Competency: PLANT LICENCE NOT REQUIRED		Date: 25.10.2010		
MECHANICAL HAZARDS		LIKELIHOOD	CONSEQUENCE	RISK LEVEL
PINCHING/CRUSHING DUE TO - INADVERTANT PLACEMENT OF FINGERS IN PIVOT POINT	2	LIKELY	3 MINOR	3 MEDIUM
	3	UNLIKELY	3 MINOR	4 MEDIUM
STABBING/PUNCTURE DUE TO - FROM BLADE/MOIL WHILE OPERATING INSTALLATION/REMOVAL OF BLADE/MOIL	2	LIKELY	3 MINOR	3 MEDIUM
	3	UNLIKELY	3 MINOR	4 MEDIUM
CRUSHING DUE TO - DROPPING THE MACHINE WHILE LIFTING DROPPING HAMMER WHILE UNINSTALLING FROM TROLLEY	2	LIKELY	3 MINOR	3 MEDIUM
	3	UNLIKELY	3 MINOR	4 MEDIUM
ELECTRICAL HAZARDS SEVERING LEADS	2	LIKELY	1 FATALITY	1 HIGH
HAZARDS GENERATED BY NOISE DEAFNESS (LONG TERM USE)	4	VERY UNLIKELY	2 MAJOR	4 MEDIUM
HAZARDS GENERATED BY VIBRATION STRAIN FROM VIBRATION	3	UNLIKELY	3 MINOR	4 MEDIUM
HAZARDS GENERATED BY MATERIALS AND SUBSTANCES IRRITATIONS TO THE SKIN DUE TO MATERIALS USED INHALATION OF MINOR DEBRE PARTICLES OPERATION OF BLADE	4	VERY UNLIKELY	2 MINOR	4 NEGLIBLE
	1	VERY UNLIKELY	2 MAJOR	1 HIGH
	2	LIKELY	3 MINOR	3 MEDIUM
HAZARDS GENERATED BY NEGLECTING ECONOMIC PRINCIPLES				
HAZARD COMBINATION BACK INJURY (BEING OUT OF LISTING BLADE POSITION) LIFTING THE MACHINE (BACK INJURY)	3	UNLIKELY	2 MAJOR	3 MEDIUM
	2	LIKELY	3 MINOR	3 MEDIUM
HAZARDS IN CONNECTION WITH PLACE OF OPERATION OF THE MACHINE				

NOTES

THIS PRODUCT HAS BEEN DESIGNED AND MANUFACTURED AS A JACK-HAMMER TROLLEY ONLY

THIS DOCUMENT HAS BEEN PREPARED ACCORDING TO GUIDELINES AND RECOMMENDATIONS FOUND IN:
 1. "HAZPAK" PRODUCED BY THE WORK-COVER AUTHORITY AND
 2. THE AUSTRALIAN STANDARDS 4024.1:45 - 1998 "SAFEGUARDING OF MACHINERY - PART 1: GENERAL PRINCIPLES"

THE TERMS "VERY LIKELY", "LIKELY", "UNLIKELY", "VERY UNLIKELY" REFER TO PROBABILITY OF AN EVENT HAPPENING, BUT ARE QUALITATIVE AND BASED ON BEST ESTIMATION DUE TO CONSULTATION AND EXPERIENCE.

RISK LEVEL IS DETERMINED USING THE RISK TABLE AS SUGGESTED IN "HAZPAK".
 INHERENTLY, AS THE CONSEQUENCE INCREASES IN SEVERITY, RISK INCREASES - EVEN WHEN LIKELIHOOD IS LOW

IS DEFINED BY THE WORK-COVER AUTHORITY AS THIS:
NEGLIGIBLE = ABLE TO BE TREATED USING FIRST AID
MINOR = REVERSIBLE INJURIES REQUIRING SEVERAL DAYS OFF
MAJOR = NORMALLY IRREVERSIBLE INJURIES
FATALITY = INJURIES RESULT IN DEATH

Appendix C – Hazard Assessment

Appendix D – Sales and Spares

For sales and spare parts please refer to your local distributor below.



SERVICE & PART ORDERING

For service and ordering parts, please call

AUS: 1300 795 953 or +61 2 9460 8071

USA: 407-446-1996

EUROPE: +31 (0)6 24881203 or +31 (0)6 50841849

Or your nearest MAKINEX distributor

We have very knowledgeable, experienced staff to assist you with help and advice.

W makinex.com

E sales@makinex.com

Appendix E – Jackhammer Manual

Refer to your Jack Hammer manual for safety and operation instructions.

